



US00D843224S

(12) **United States Design Patent**  
**Alatraste**

(10) **Patent No.:** **US D843,224 S**

(45) **Date of Patent:** **\*\* Mar. 19, 2019**

(54) **FOOD STORAGE BAG**

(71) Applicant: **Anthony Alatraste**, Windermere, FL  
(US)

(72) Inventor: **Anthony Alatraste**, Windermere, FL  
(US)

(\*\*) Term: **15 Years**

(21) Appl. No.: **29/615,823**

(22) Filed: **Aug. 31, 2017**

(51) **LOC (11) Cl.** ..... **09-05**

(52) **U.S. Cl.**  
USPC ..... **D9/703**

(58) **Field of Classification Search**  
USPC ..... D9/414-423, 424-429, 430-432, 433,  
D9/434, 456, 457, 702, 703, 711, 713,  
D9/721-722, 730; D3/272-274, 307,  
D3/312; D6/525, 574; D7/550.1, 554.3,  
D7/554.4; D20/10, 22, 27, 40, 42  
CPC ... B65D 5/00; B65D 5/02; B65D 5/18; B65D  
5/20  
See application file for complete search history.

(56) **References Cited**

**U.S. PATENT DOCUMENTS**

D191,145 S \* 8/1961 Cesareo ..... D9/418  
3,402,052 A 9/1968 Walker  
4,051,994 A 10/1977 Donk  
4,267,768 A 5/1981 Cieslak et al.  
D369,317 S \* 4/1996 Weder ..... D11/164  
D434,913 S \* 12/2000 Schmidt ..... D5/53  
D447,685 S \* 9/2001 Chagnon ..... D9/416

D495,252 S \* 8/2004 Poole ..... D9/432  
D601,435 S \* 10/2009 Fell ..... D9/713  
D619,477 S \* 7/2010 Frizell ..... D5/99  
D638,702 S \* 5/2011 Lowery ..... D5/99  
D770,282 S \* 11/2016 Ye ..... D9/456  
D813,663 S \* 3/2018 Sanfilippo ..... D9/423  
D813,667 S \* 3/2018 Shimizu ..... D9/434  
2006/0285779 A1 12/2006 Golas

**OTHER PUBLICATIONS**

Rectangular Acetate Gift Boxes.[online] Published on Jul. 10, 2007.  
Retrieved May 28, 2018 from URL: <https://www.amazon.co.uk/Rectangular-Acetate-Gift-Boxes-Available/dp/B000TENP90>.\*

\* cited by examiner

*Primary Examiner* — Vy N Koenig

(74) *Attorney, Agent, or Firm* — Allen, Dyer, Doppelt + Gilchrist, PA

(57) **CLAIM**

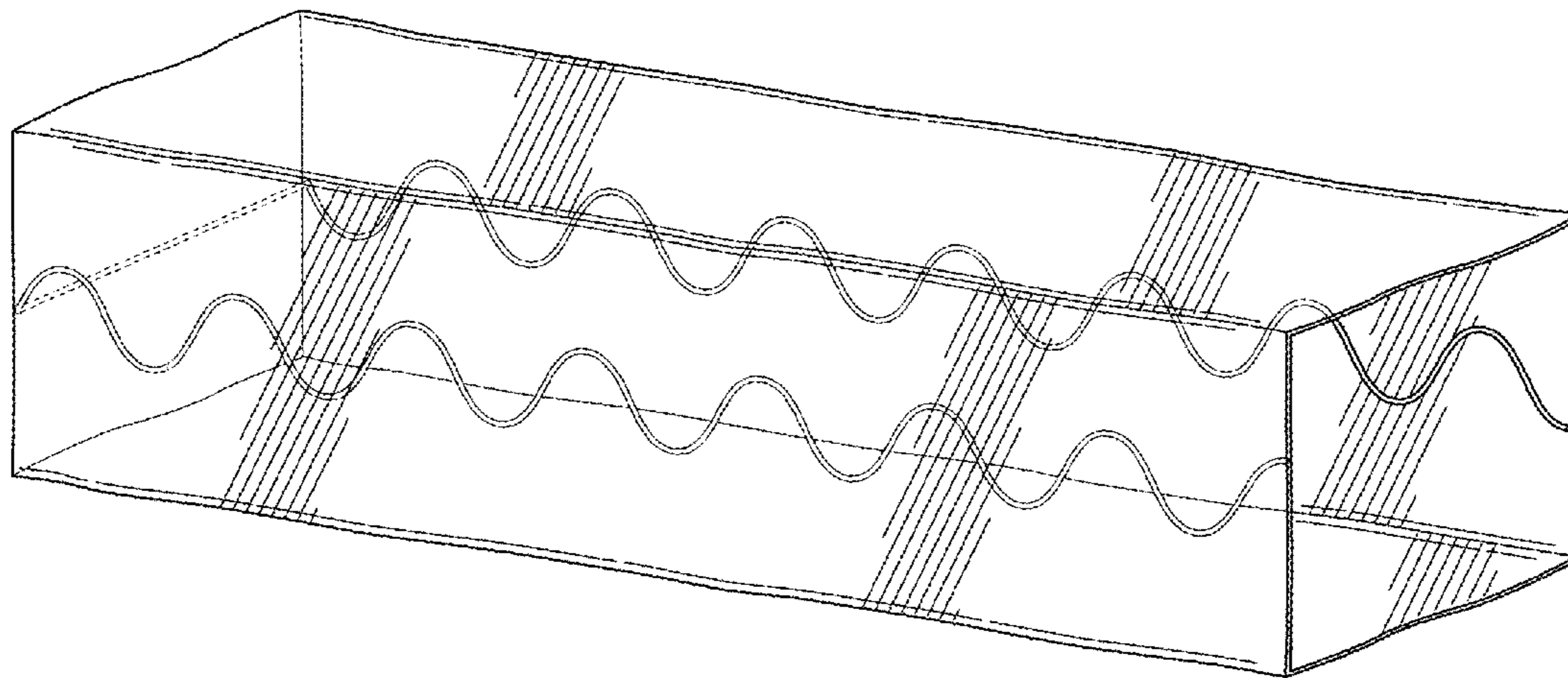
The ornamental design for a food storage bag, as shown and described.

**DESCRIPTION**

FIG. 1 is a perspective view thereof in an open position;  
FIG. 2 is a front end view thereof;  
FIG. 3 is a back end view thereof;  
FIG. 4 is a right-side view thereof;  
FIG. 5 is a left-side view thereof;  
FIG. 6 is a top view thereof; and,  
FIG. 7 is a bottom view thereof.

The broken line illustration in the drawings depict features of the food storage bag that form no part of the claimed design.

**1 Claim, 6 Drawing Sheets**



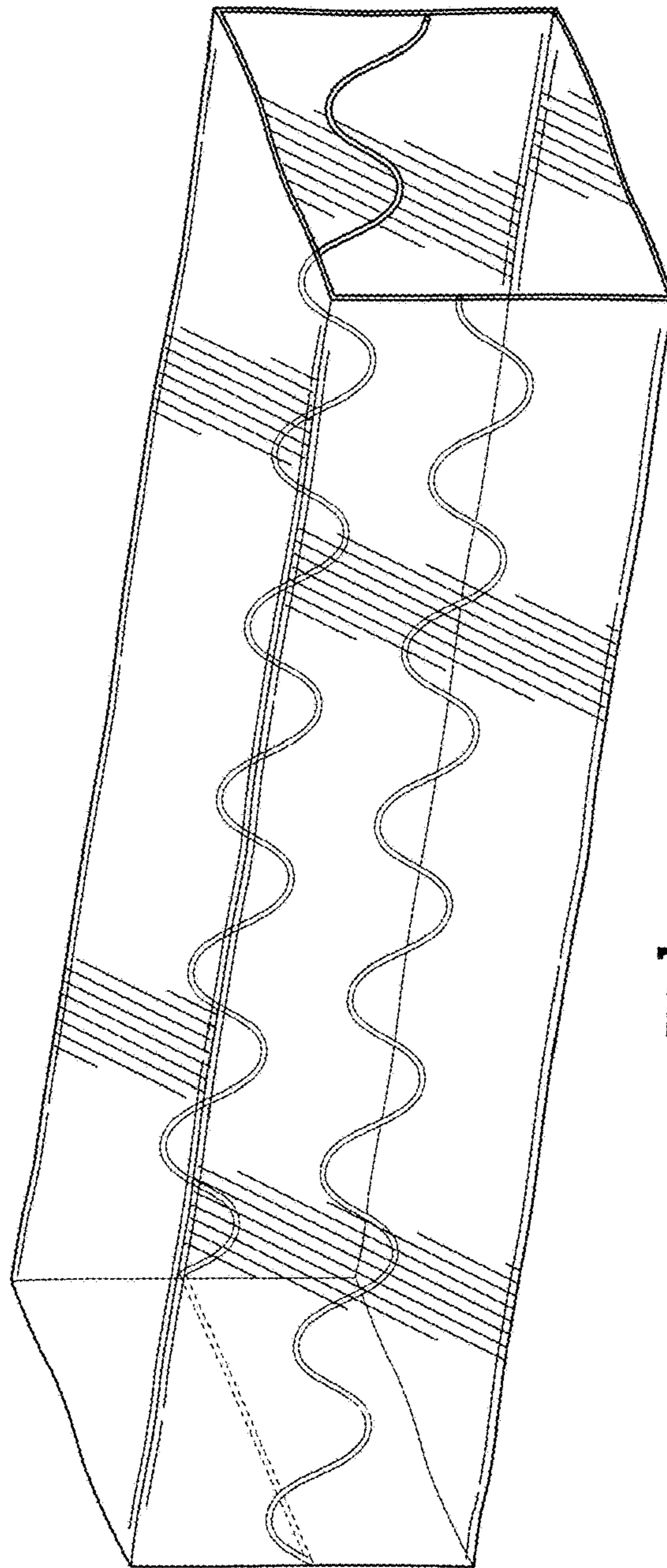


FIG. 1

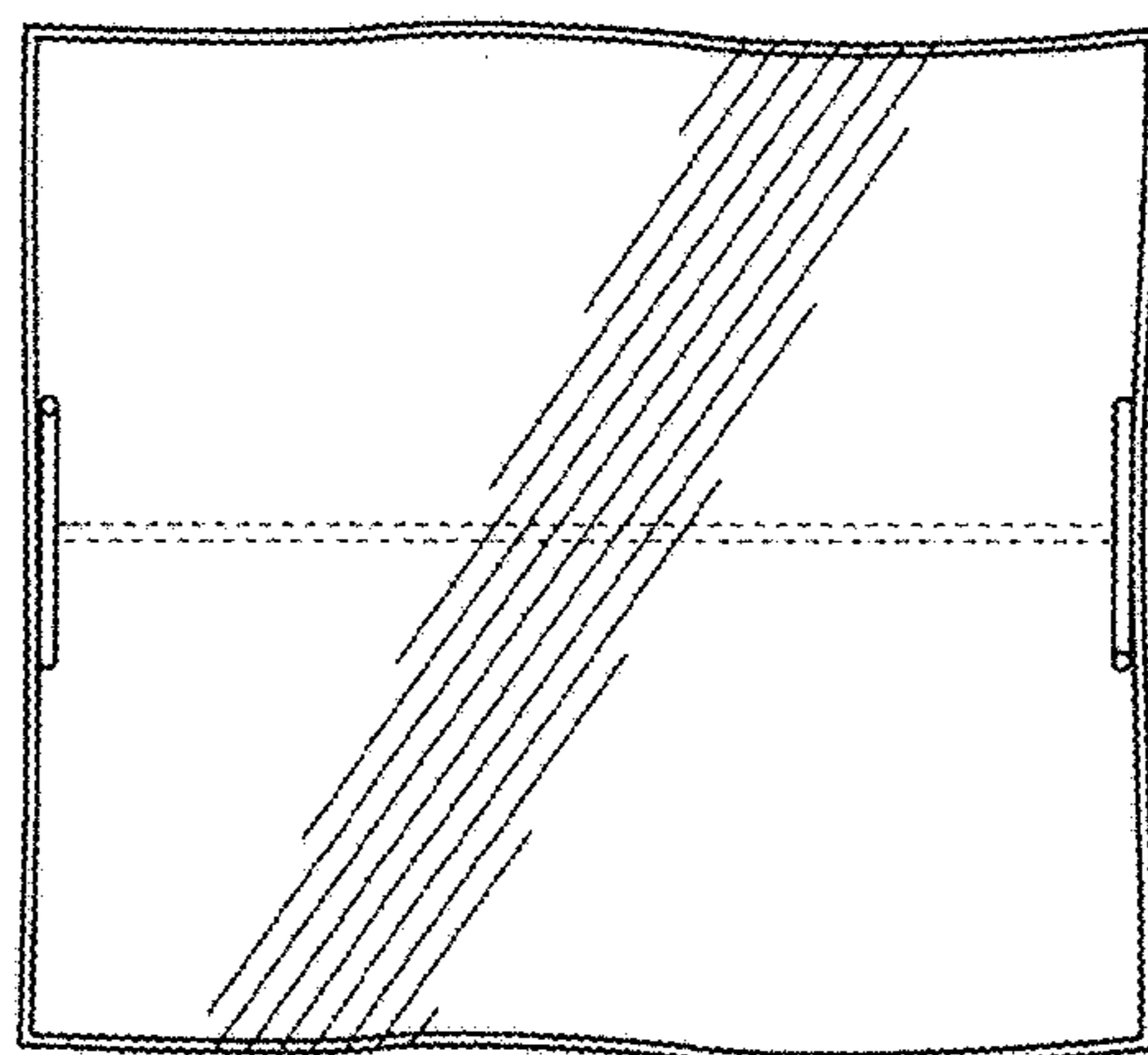


FIG. 2

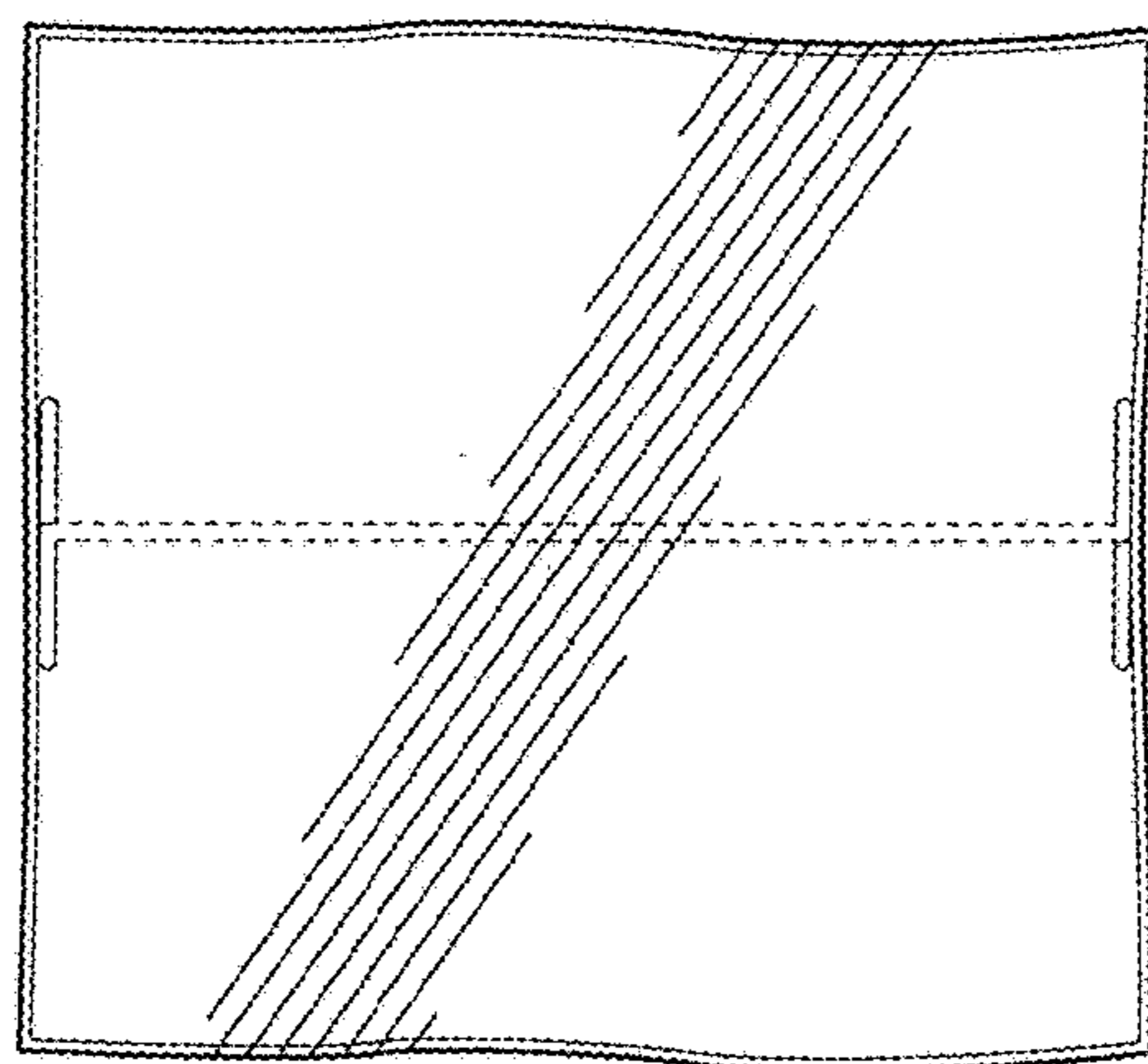


FIG. 3

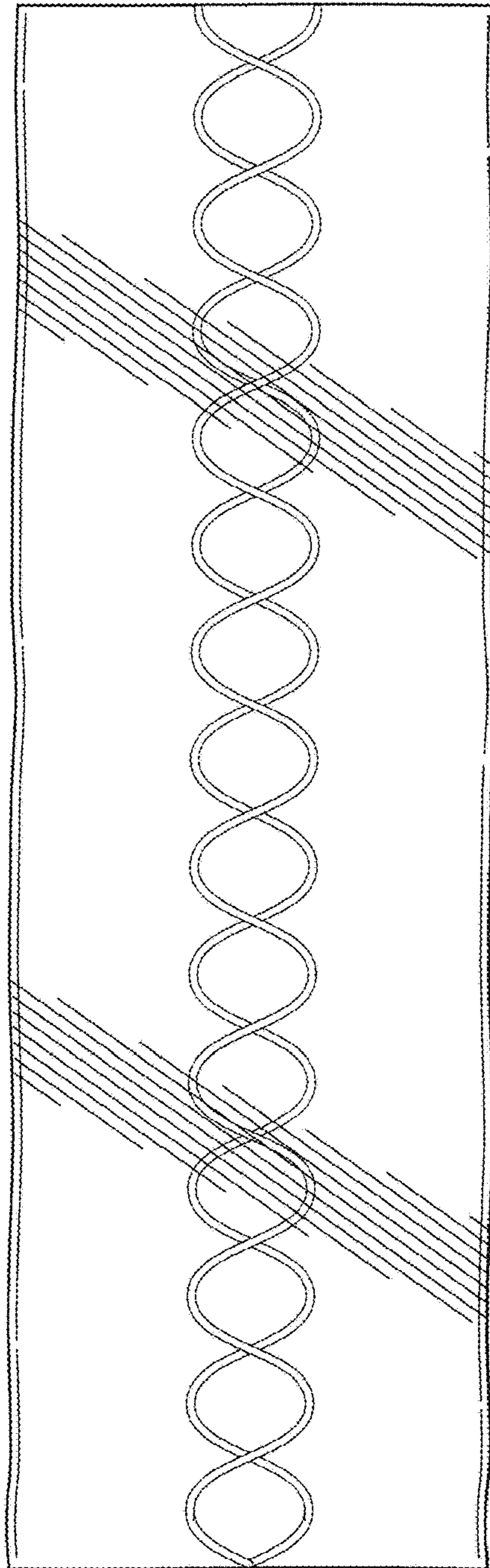


FIG. 4

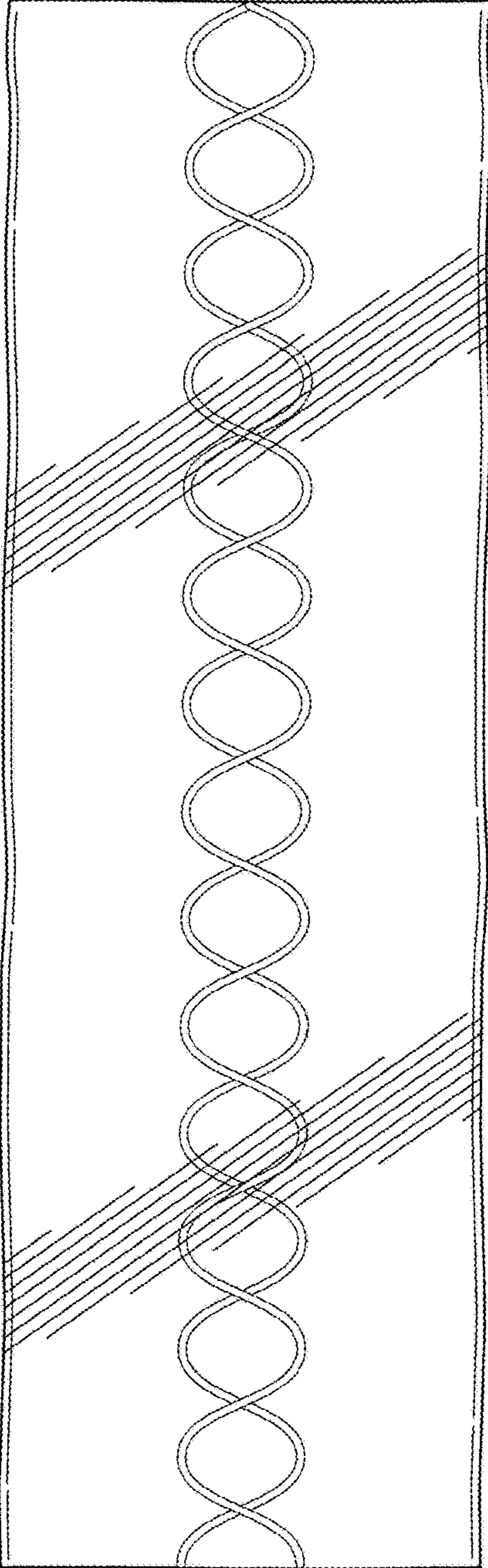


FIG. 5

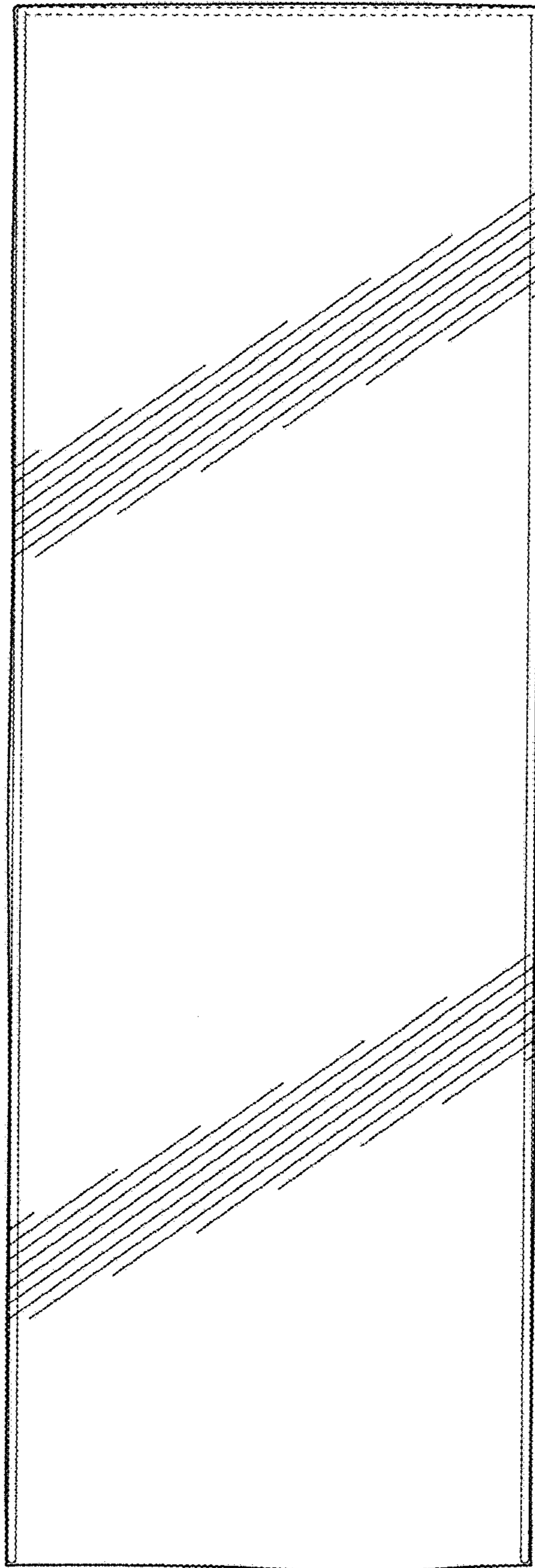
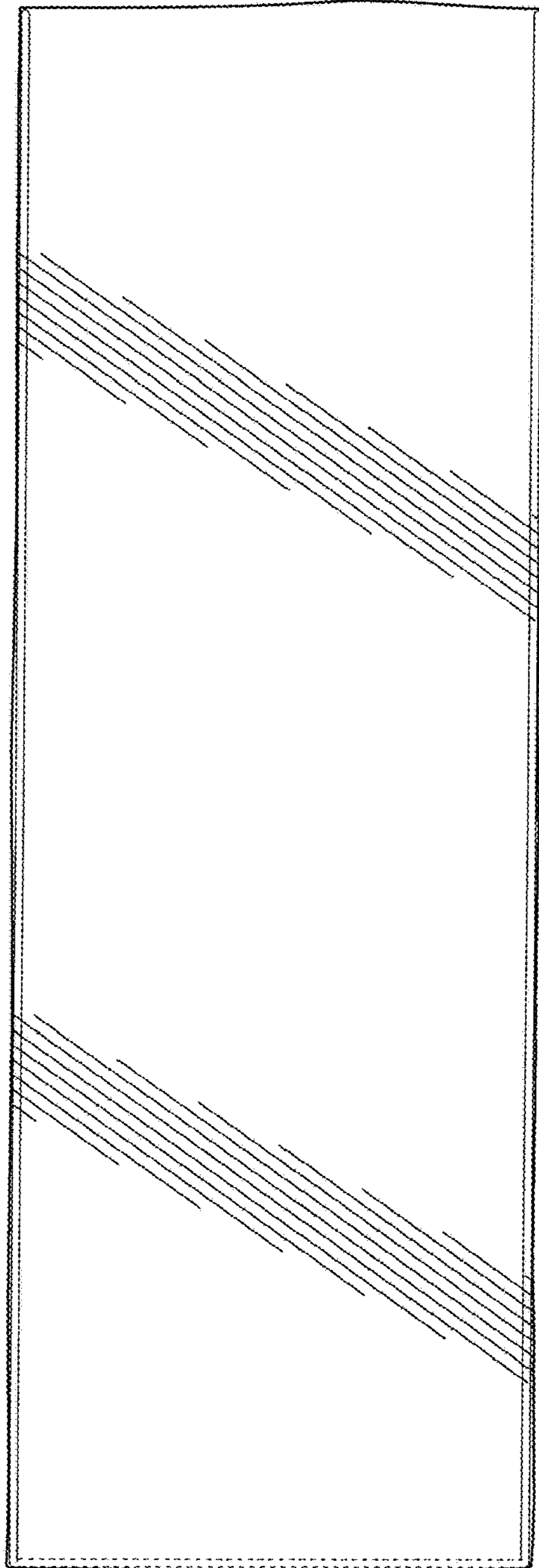


FIG. 6



**FIG. 7**