



US00D843220S

(12) **United States Design Patent** (10) **Patent No.:** **US D843,220 S**  
**Talsania et al.** (45) **Date of Patent:** **\*\* Mar. 19, 2019**

(54) **CONTAINER**

CPC ..... B65D 1/00; B65D 1/02; B65D 1/0223;  
B65D 23/00; B65D 81/00; B65D  
2501/00; B65D 2501/0009

(71) Applicant: **PepsiCo, Inc.**, Purchase, NY (US)

See application file for complete search history.

(72) Inventors: **Sameer Kirti Talsania**, Chicago, IL (US); **Drew Alexander Read Palin**, Kenilworth, IL (US); **Sean Joseph Huls**, Chicago, IL (US); **Xavi Cortadellas**, Chicago, IL (US); **Brandon Scott Rhodes**, Chicago, IL (US); **Carlos Hernan Marina**, Deerfield Beach, FL (US); **Matthew Schmunk**, Portland, OR (US); **John Lester Ostby**, Seattle, WA (US); **Tucker H. Fort**, Brooklyn, NY (US); **Joey Miguel Zeledon**, Brooklyn, NY (US); **Elijah Morris Worden, IV**, New York, NY (US); **Wayne Allen Posey**, Toledo, OH (US); **Eric Jay Brunella**, Sylvania, OH (US); **Bruce Joseph Ankenbrandt**, Maumee, OH (US)

(56) **References Cited**

U.S. PATENT DOCUMENTS

D170,180 S \* 8/1953 Ziskin et al. .... D7/591  
D225,668 S \* 12/1972 Darr ..... D7/603  
D230,954 S 3/1974 Gregoriotti  
D245,750 S \* 9/1977 Maclean ..... D7/591  
D269,148 S 5/1983 Trkla et al.

(Continued)

FOREIGN PATENT DOCUMENTS

DE 402010000802-0003 1/2010  
FI 9918 9/1986

(Continued)

*Primary Examiner* — Dana Meyrow

(73) Assignee: **PepsiCo, Inc.**, Purchase, NY (US)

(74) *Attorney, Agent, or Firm* — Sterne, Kessler, Goldstein & Fox P.L.L.C.

(\*\*) Term: **15 Years**

(21) Appl. No.: **29/633,195**

(57) **CLAIM**

(22) Filed: **Jan. 12, 2018**

The ornamental design for a container, as shown and described.

**Related U.S. Application Data**

(63) Continuation of application No. 29/539,691, filed on Sep. 16, 2015, now Pat. No. Des. 808,812.

(51) **LOC (11) Cl.** ..... **09-01**

(52) **U.S. Cl.**  
USPC ..... **D9/552; D9/454; D9/529; D9/540; D9/575**

(58) **Field of Classification Search**

USPC ..... D9/414, 424, 428, 434-435, 454, 500, D9/503-504, 516, 519, 529, 530, 537, D9/540, 549, 552, 558, 575, 715; D7/400, 601-602, 608, 612, 615, D7/629-630; D26/6, 9-11, 22

**DESCRIPTION**

FIG. 1 is a top perspective view of a container showing the claimed design;

FIG. 2 is a bottom perspective view thereof;

FIG. 3 is a front view thereof;

FIG. 4 is a rear view thereof;

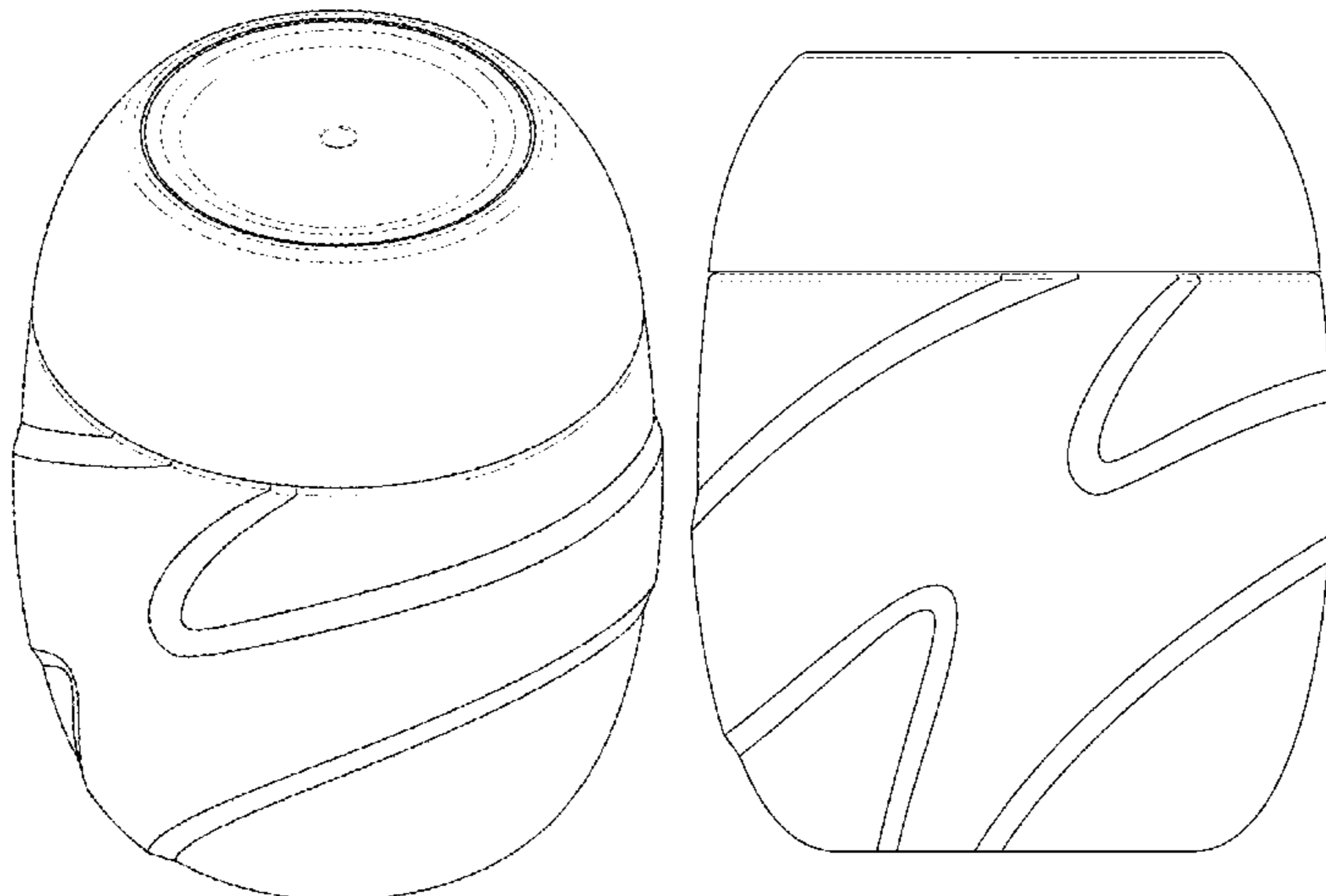
FIG. 5 is a left side view thereof;

FIG. 6 is a right side view thereof;

FIG. 7 is a top view thereof; and,

FIG. 8 is a bottom view thereof.

**1 Claim, 8 Drawing Sheets**



(56)

References Cited

U.S. PATENT DOCUMENTS

D272,223 S 1/1984 Daenen  
 D312,778 S 12/1990 Tacconelli  
 D372,194 S 7/1996 Dallaire  
 D405,372 S 2/1999 Yucknut  
 D423,360 S 4/2000 Hirato et al.  
 D442,834 S 5/2001 Perez  
 D445,032 S 7/2001 Hammer  
 D477,535 S 7/2003 Thorpe  
 D540,170 S 4/2007 Canamasas Puigbo  
 D593,372 S 6/2009 Carreno  
 D610,009 S 2/2010 Prufer  
 D612,243 S \* 3/2010 White ..... D9/516  
 D621,708 S 8/2010 Thomas et al.  
 D621,710 S 8/2010 Cueto  
 D623,012 S \* 9/2010 White ..... D7/396.2  
 D644,927 S \* 9/2011 White ..... D9/516  
 D644,929 S \* 9/2011 White ..... D7/509  
 D644,930 S \* 9/2011 White ..... D7/509  
 D651,906 S \* 1/2012 White ..... D7/509  
 D652,307 S \* 1/2012 White ..... D7/509

D677,570 S 3/2013 Cueto  
 D681,278 S 4/2013 Schlatter  
 D682,700 S \* 5/2013 White ..... D9/538  
 D699,578 S 2/2014 Marina et al.  
 D701,767 S 4/2014 Marina et al.  
 D703,415 S \* 4/2014 Khan ..... A61G 17/08  
 D707,561 S 6/2014 You  
 D721,589 S 1/2015 Sturdevant et al.  
 D729,593 S 5/2015 Myoung  
 D739,740 S 9/2015 Sturdevant et al.  
 D797,520 S 9/2017 Kolano  
 D803,060 S \* 11/2017 Marina ..... D9/504  
 D808,812 S \* 1/2018 Talsania ..... D9/529  
 D818,648 S \* 5/2018 Cleij ..... D28/85  
 2003/0046798 A1 \* 3/2003 Valles Camps ..... A61G 17/08  
 27/1

FOREIGN PATENT DOCUMENTS

JP D965582 10/1996  
 KR 30-0477693 1/2008

\* cited by examiner

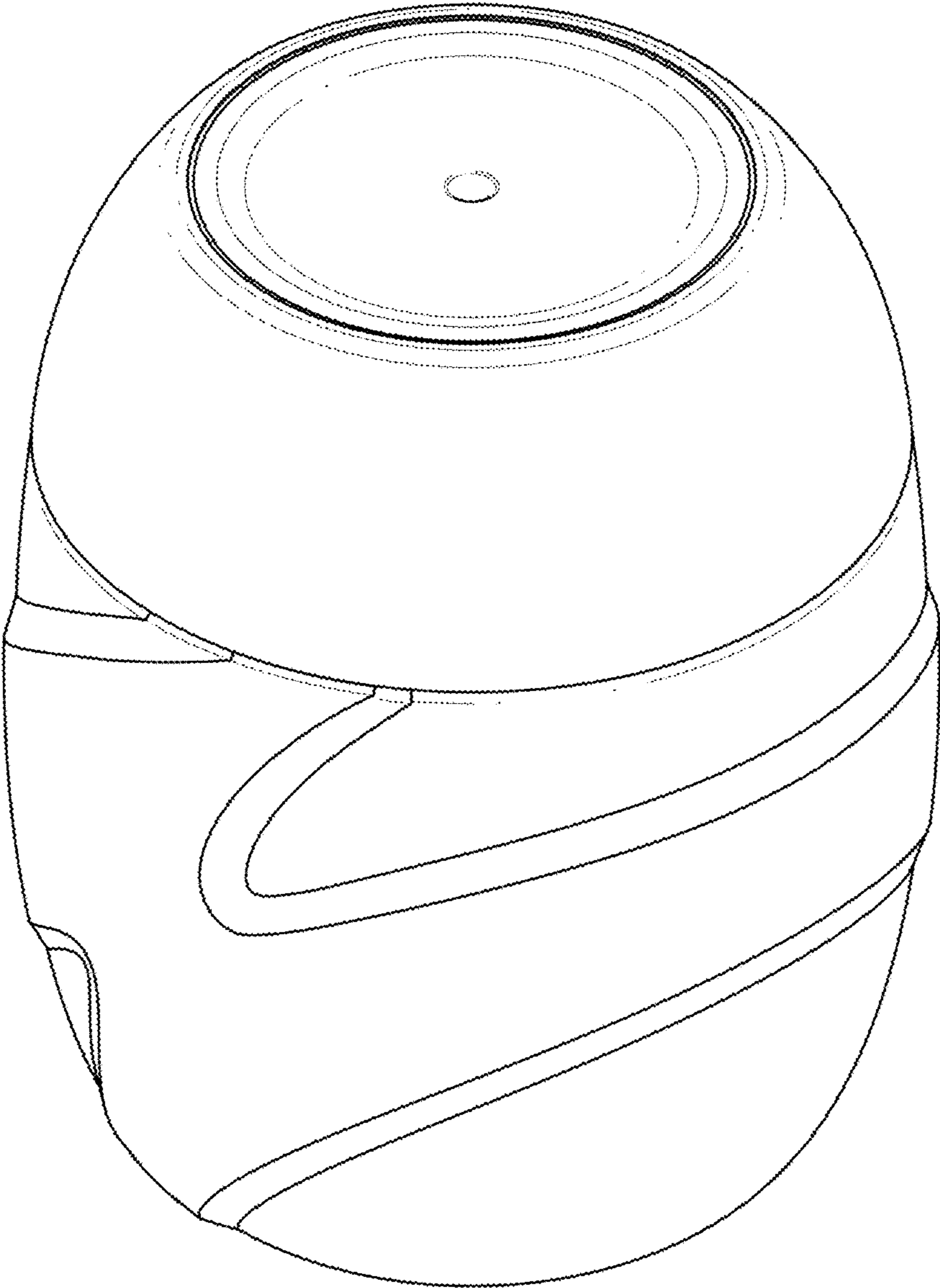


FIG. 1

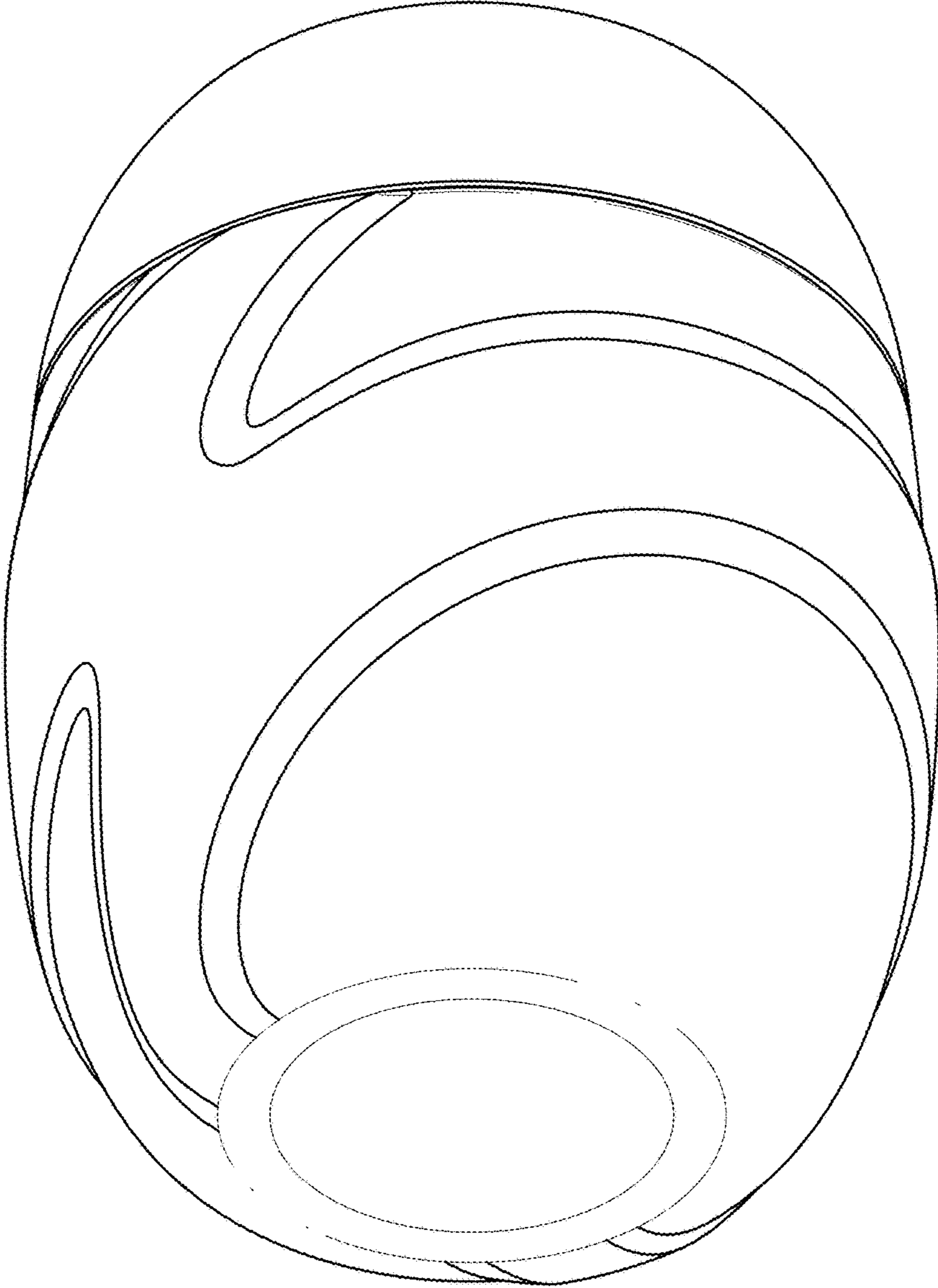


FIG. 2

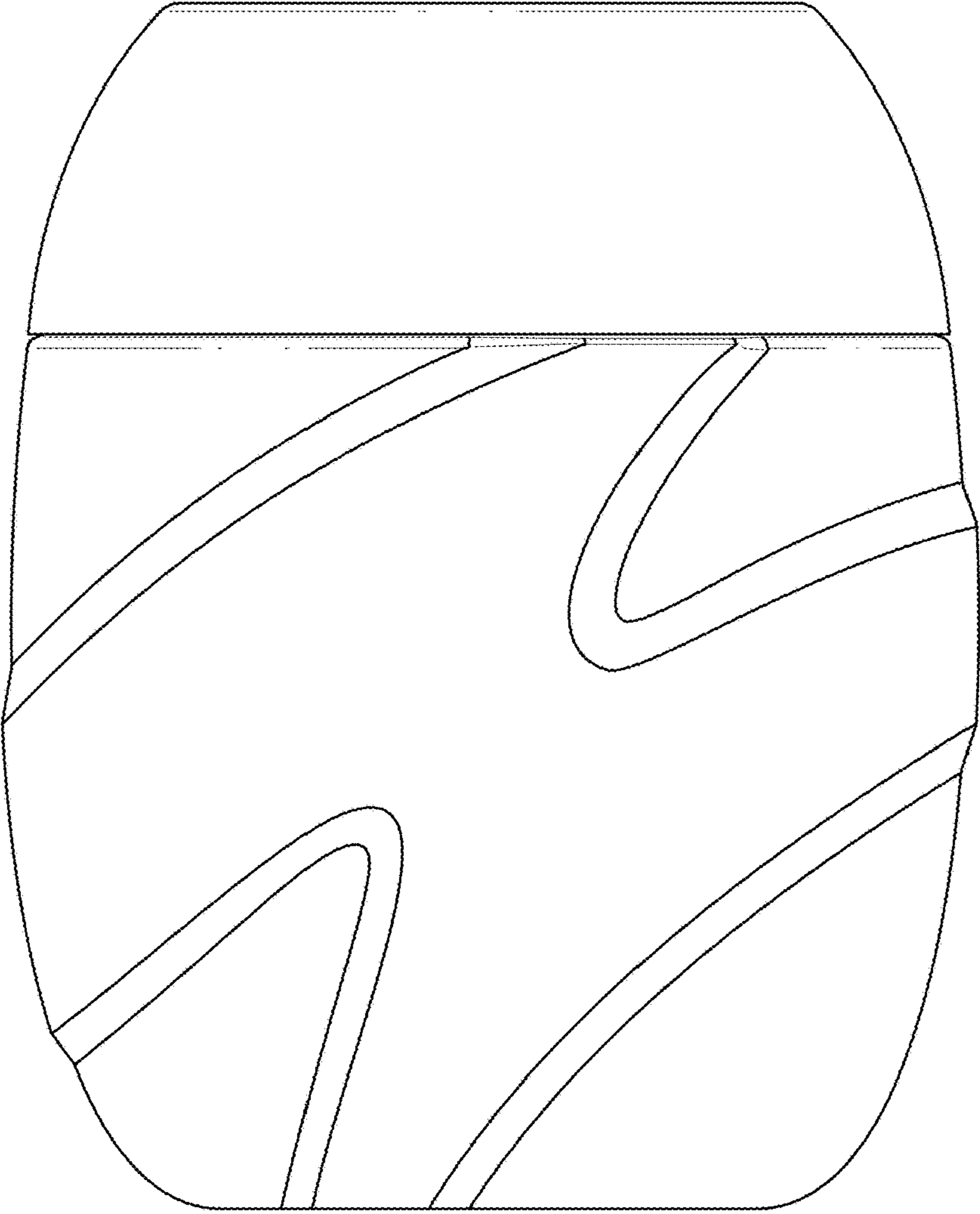


FIG. 3

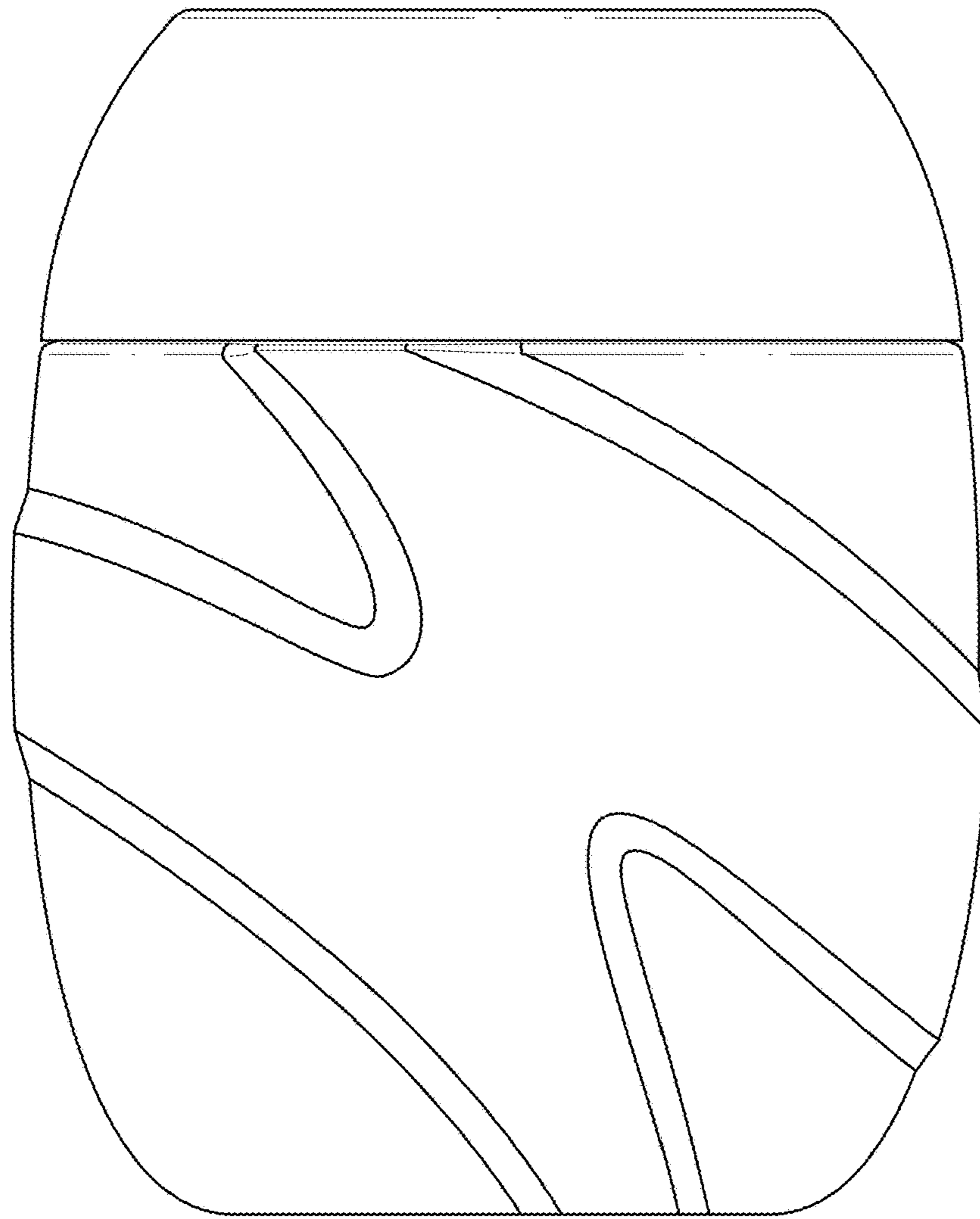


FIG. 4

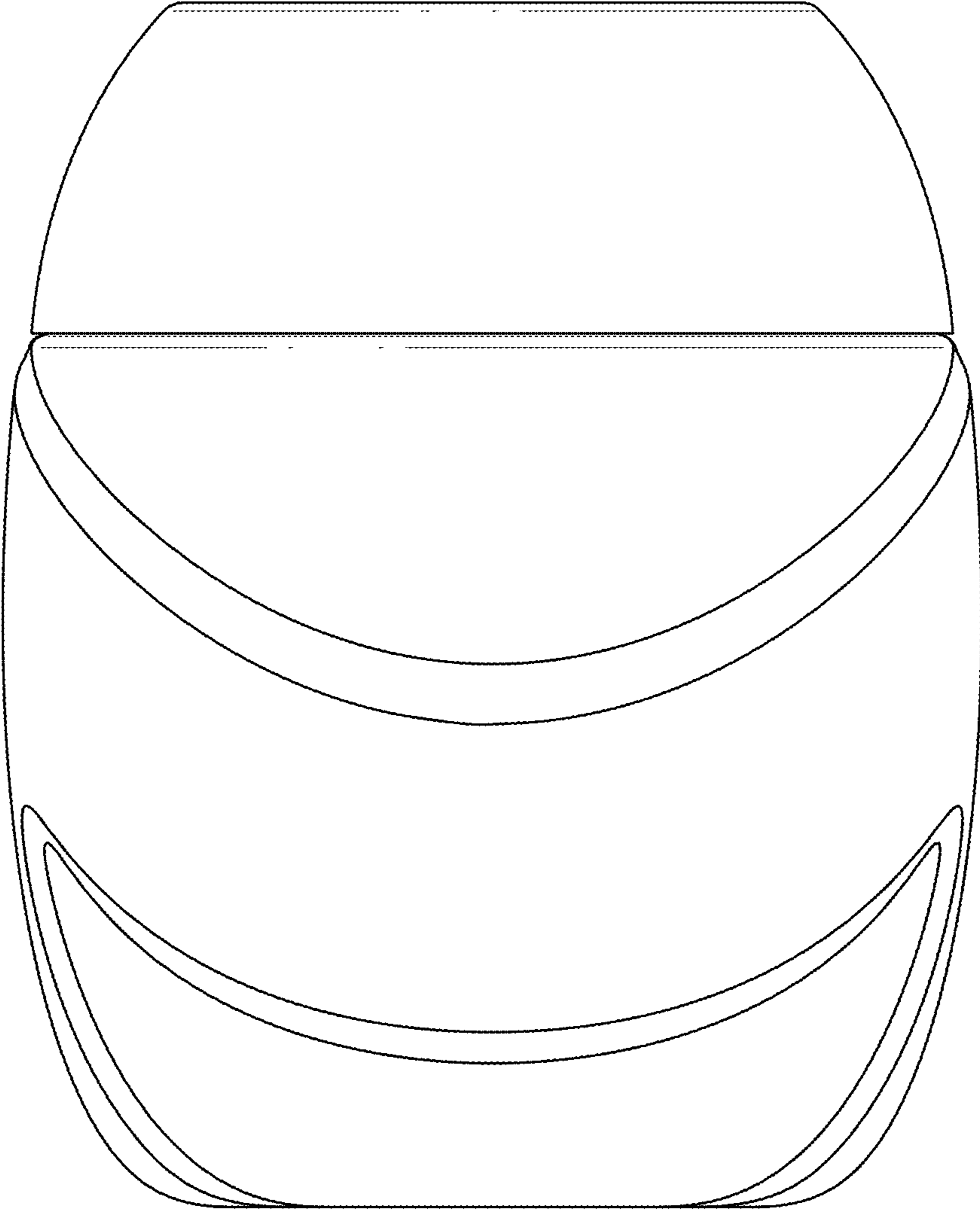


FIG. 5

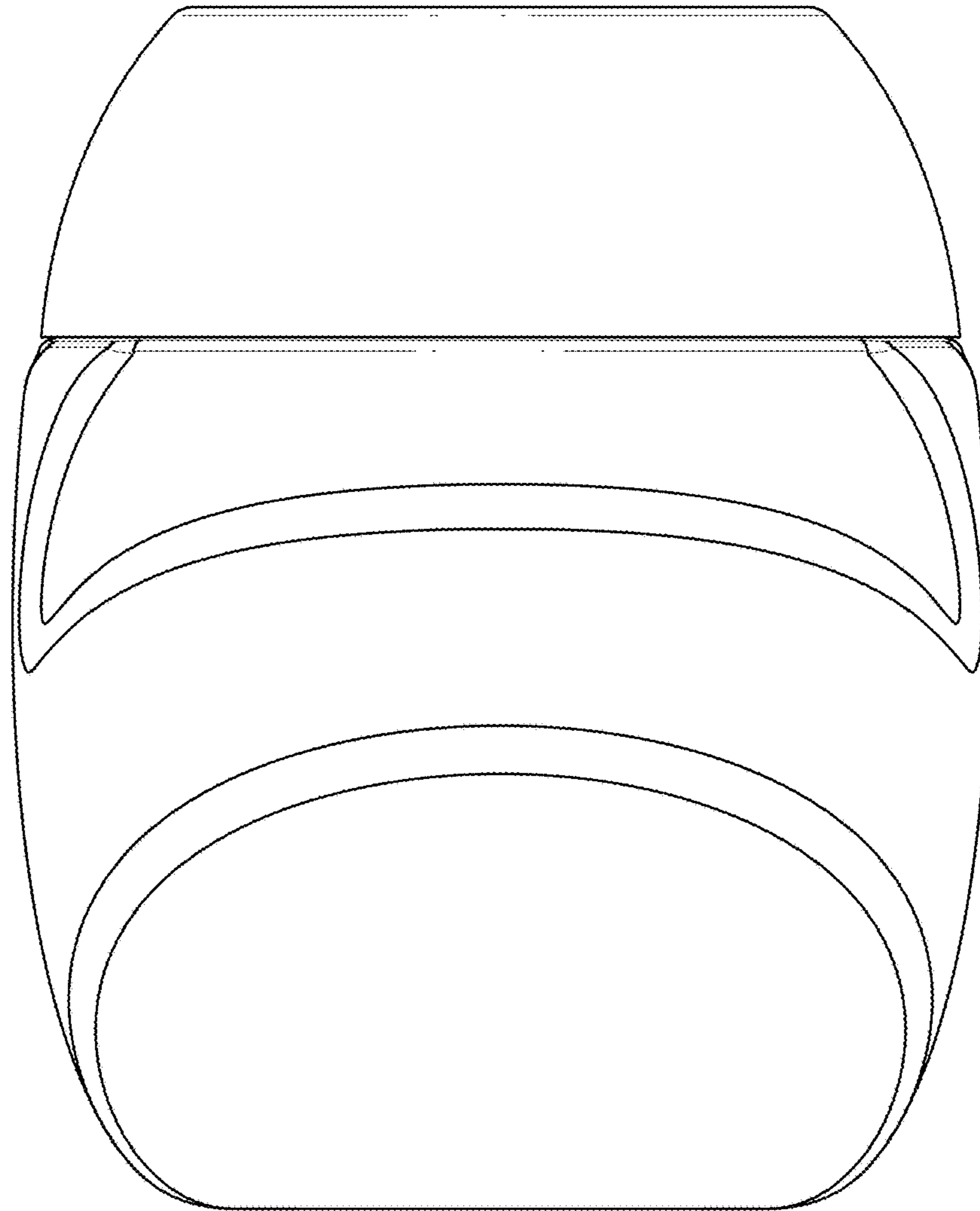


FIG. 6



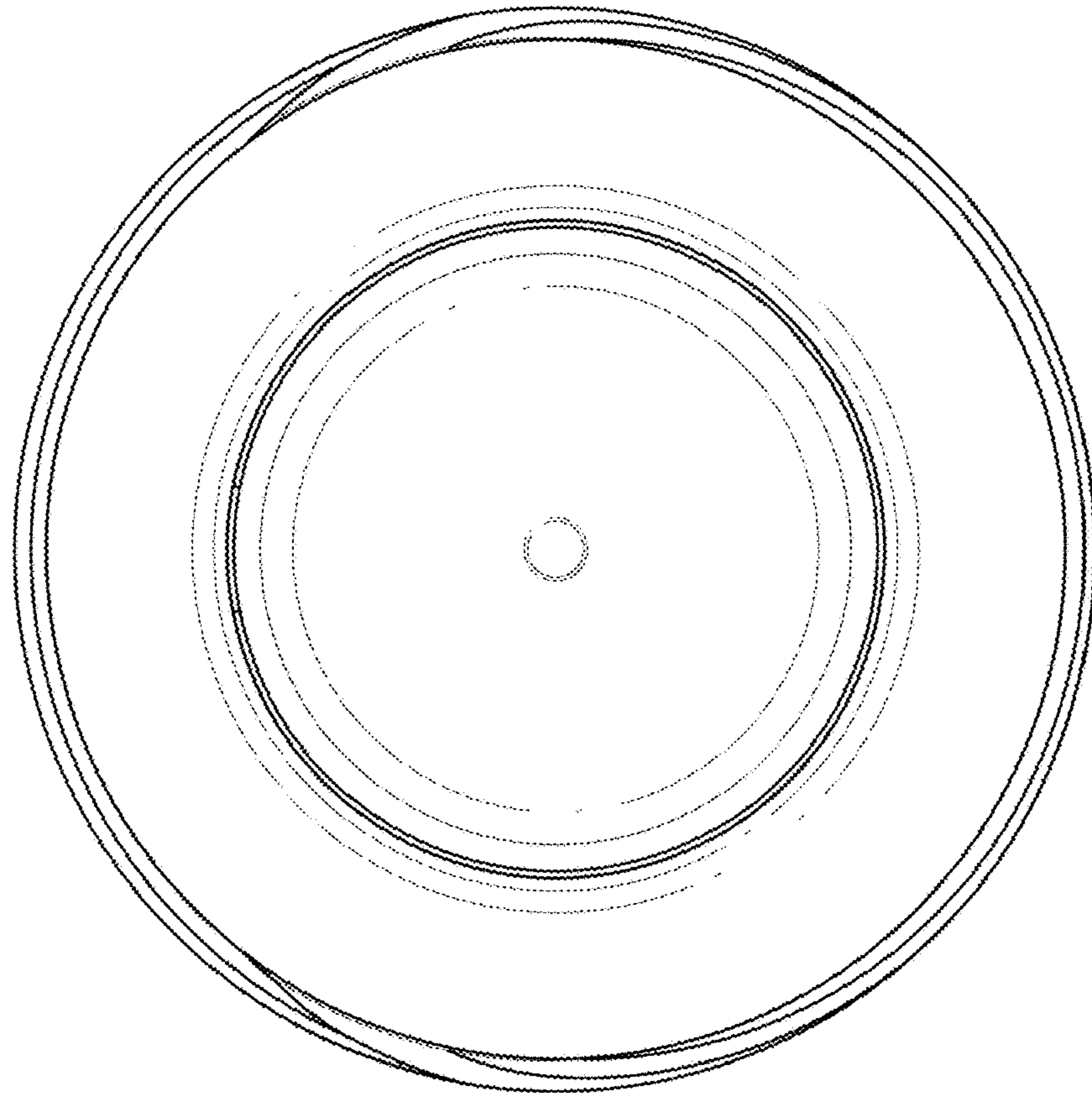


FIG. 7

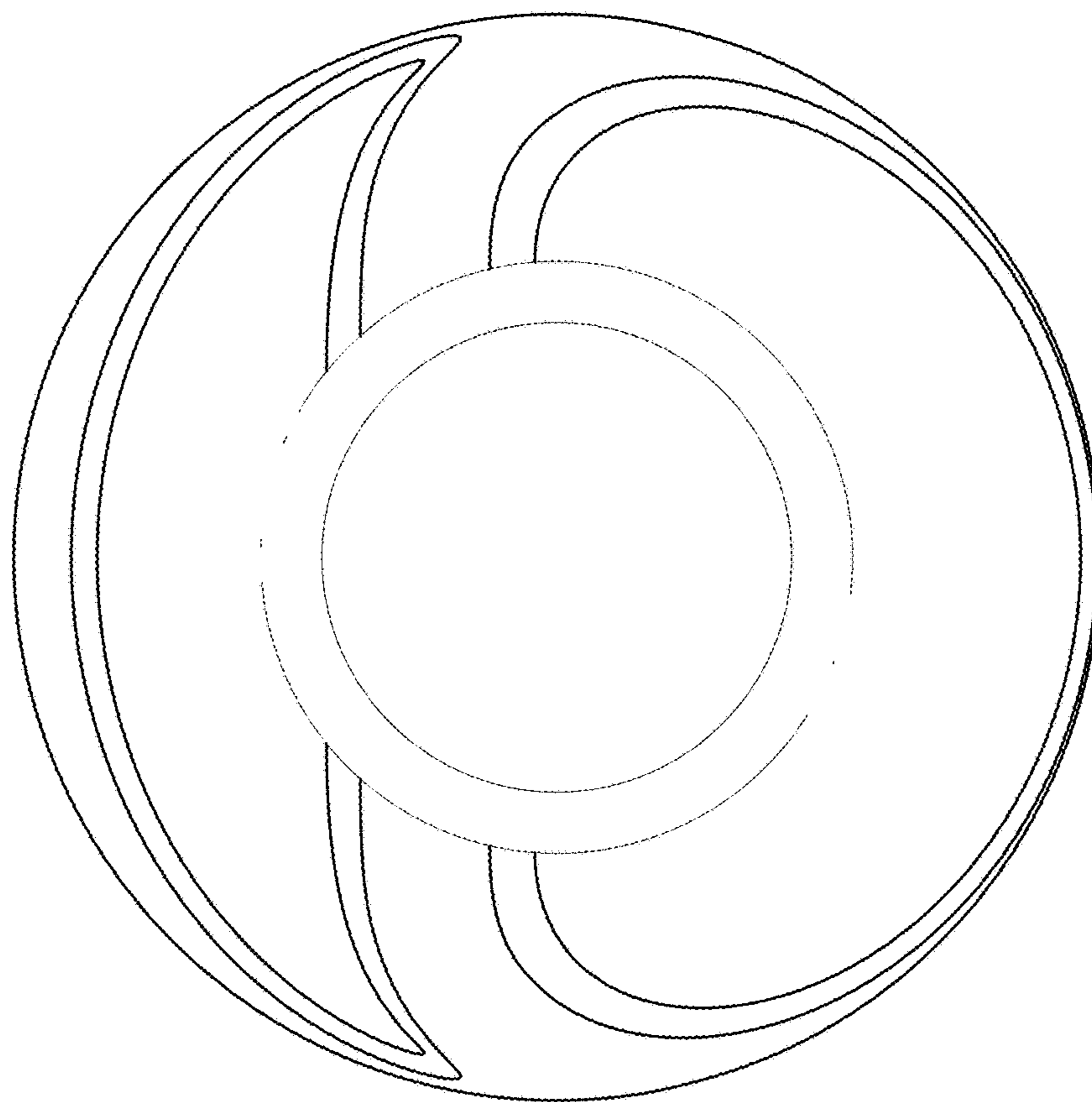


FIG. 8