



US00D843219S

(12) **United States Design Patent**
Faillant Dumas

(10) **Patent No.:** **US D843,219 S**

(45) **Date of Patent:** **** *Mar. 19, 2019**

- (54) **FLASK FOR PERFUMES**
- (71) Applicant: **PUIG FRANCE, Société par Actions Simplifiée, Paris (FR)**
- (72) Inventor: **Jérôme Faillant Dumas, Paris (FR)**
- (73) Assignee: **PUIG FRANCE, SOCIÉTÉ PAR ACTIONS SIMPLIFIÉE, Paris (FR)**
- (*) Notice: This patent is subject to a terminal disclaimer.
- (**) Term: **14 Years**
- (21) Appl. No.: **29/504,800**
- (22) Filed: **Oct. 9, 2014**
- (30) **Foreign Application Priority Data**

Apr. 9, 2014 (EM) 002443671

- (51) **LOC (11) Cl.** **09-01**
- (52) **U.S. Cl.**
USPC **D9/544; D9/445; D9/573**
- (58) **Field of Classification Search**
USPC D9/434, 435, 436, 439, 445, 516, 544,
D9/546, 559, 560, 563, 572, 573, 574,
D9/715, 719; D28/76, 83, 91.1
CPC . B65D 1/00; B65D 1/02; B65D 1/023; B65D
1/0223; B65D 1/0276
See application file for complete search history.

(56) **References Cited**

U.S. PATENT DOCUMENTS

D247,281 S *	2/1978	Grodin	D9/544
D268,814 S *	5/1983	Scalice	D9/544
D278,209 S *	4/1985	Dinand	D9/544
D329,606 S *	9/1992	Dinand	D9/529

D354,442 S *	1/1995	Hotton	D9/523
D412,283 S *	7/1999	de Baschmakoff	D9/435
D422,507 S *	4/2000	Luzzi	D9/544
D422,509 S *	4/2000	Luzzi	D9/544
D473,467 S *	4/2003	Lecoule	D9/516
D481,634 S *	11/2003	Legros	D9/516
D499,028 S *	11/2004	Faillant-Dumas	D9/544
D499,652 S *	12/2004	Mansau	D9/520
D526,212 S *	8/2006	Faillant-Dumas	D9/694
D541,664 S *	5/2007	Galdini	D9/574
D546,192 S *	7/2007	Faillant Dumas	D9/571
D562,145 S *	2/2008	Mendelson	D9/559
D574,257 S *	8/2008	Zeidan	D9/694
D577,600 S *	9/2008	Kim	D9/573
D579,782 S *	11/2008	Reinoso	D9/544
D622,142 S *	8/2010	de France	D9/441
D637,491 S *	5/2011	Bogert	D9/452
D639,667 S *	6/2011	Bogert	D9/439
D678,073 S *	3/2013	Oge-Nichols	D9/542
D711,747 S *	8/2014	Lloyd	D9/451
D734,164 S *	7/2015	Guichot	D9/682
D735,583 S *	8/2015	Klapia	D9/443

* cited by examiner

Primary Examiner — Ian Simmons

Assistant Examiner — Keith Frank

(74) *Attorney, Agent, or Firm* — FisherBroyles, LLP;
Jason M. Pass

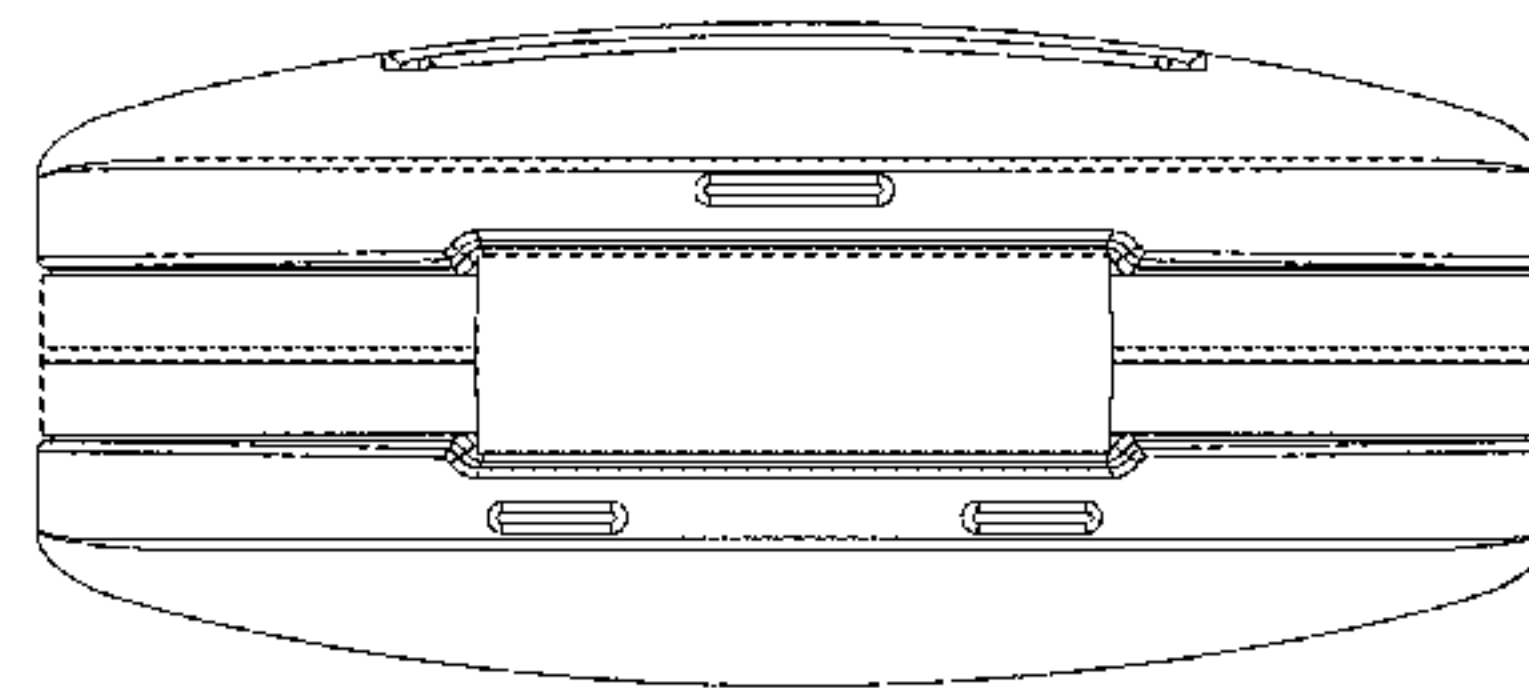
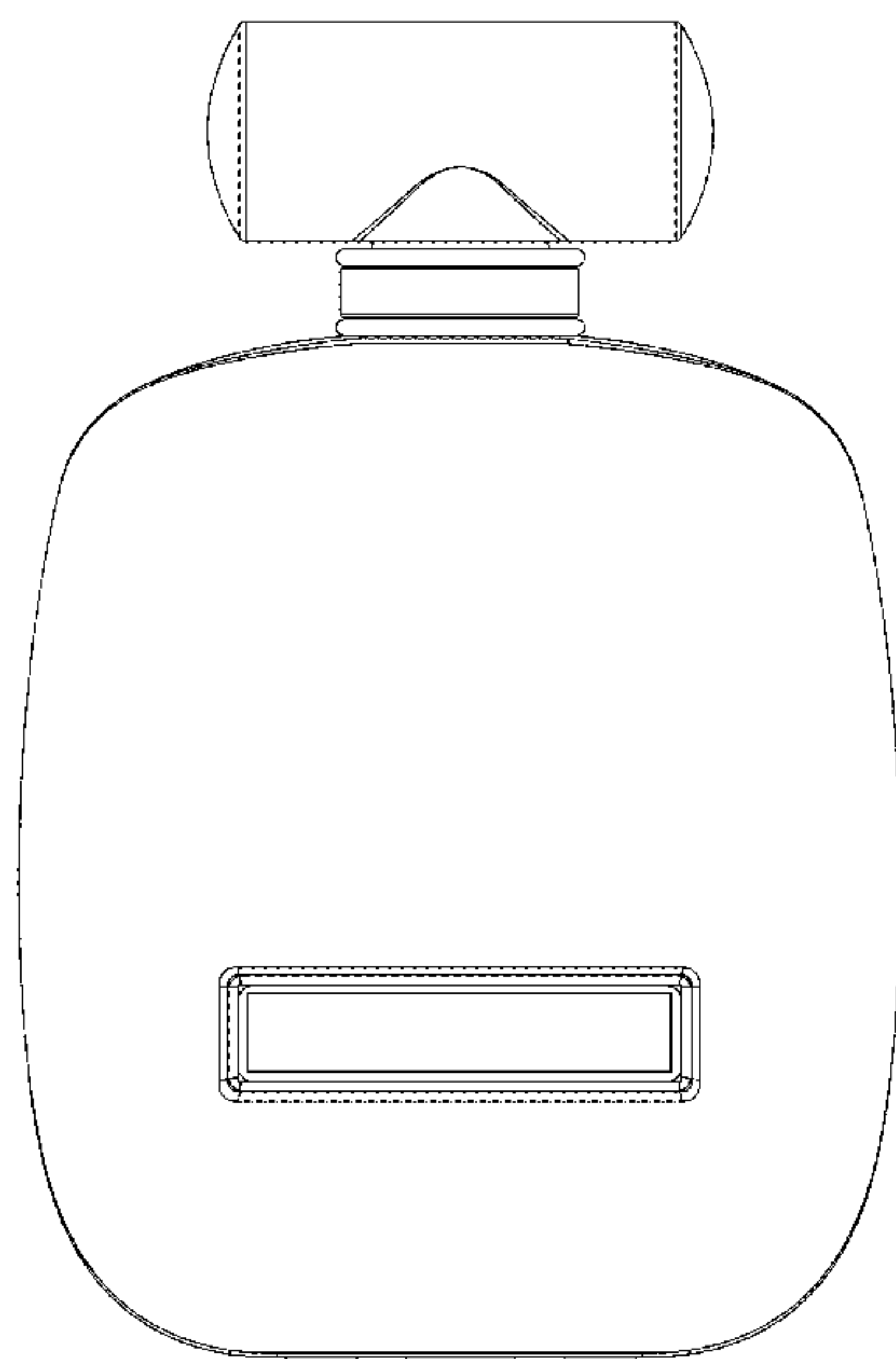
(57) **CLAIM**

I claim, the ornamental design for a flask for perfumes, as shown and described.

DESCRIPTION

FIG. 1 is a front view, showing our new design;
 FIG. 2 is a side view thereof;
 FIG. 3 is a rear view thereof;
 FIG. 4 is a top view thereof;
 FIG. 5 is a bottom view thereof; and,
 FIG. 6 is a perspective view thereof.

1 Claim, 6 Drawing Sheets



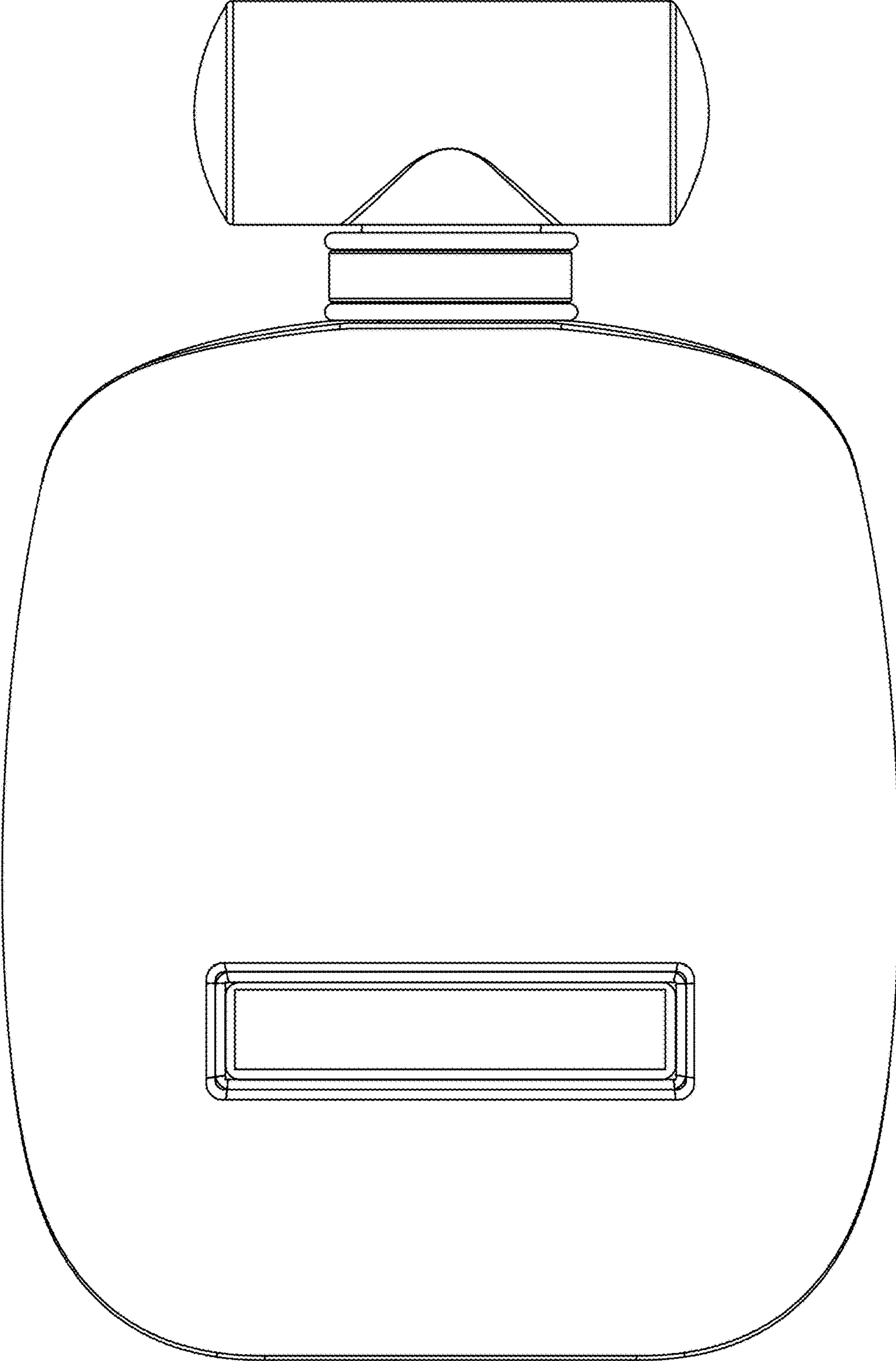


FIG. 1

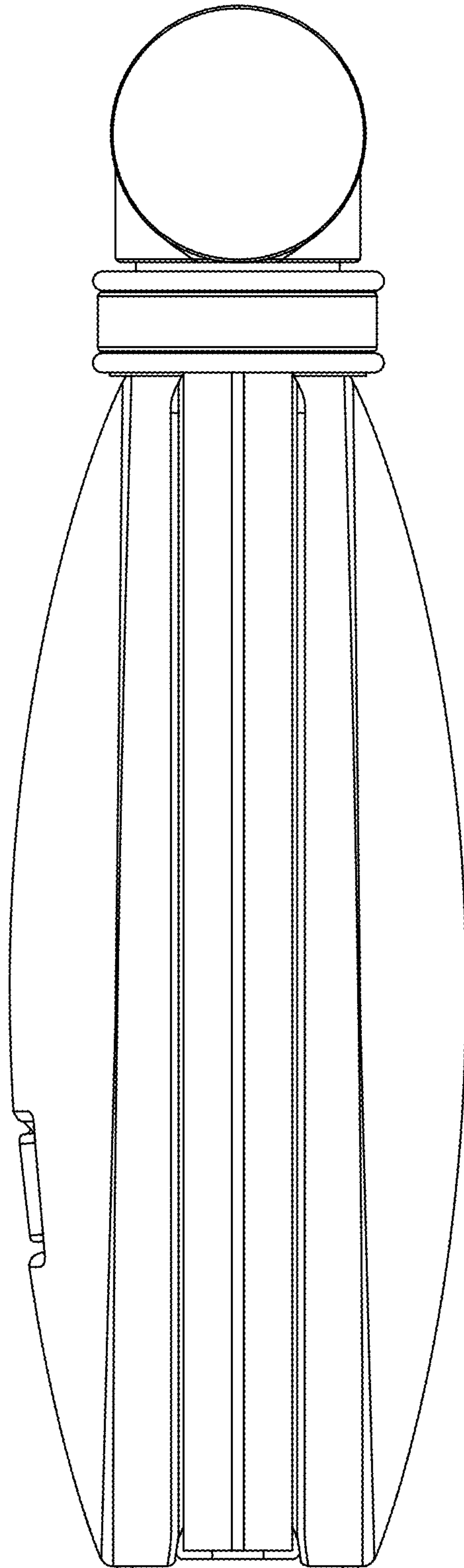


FIG. 2

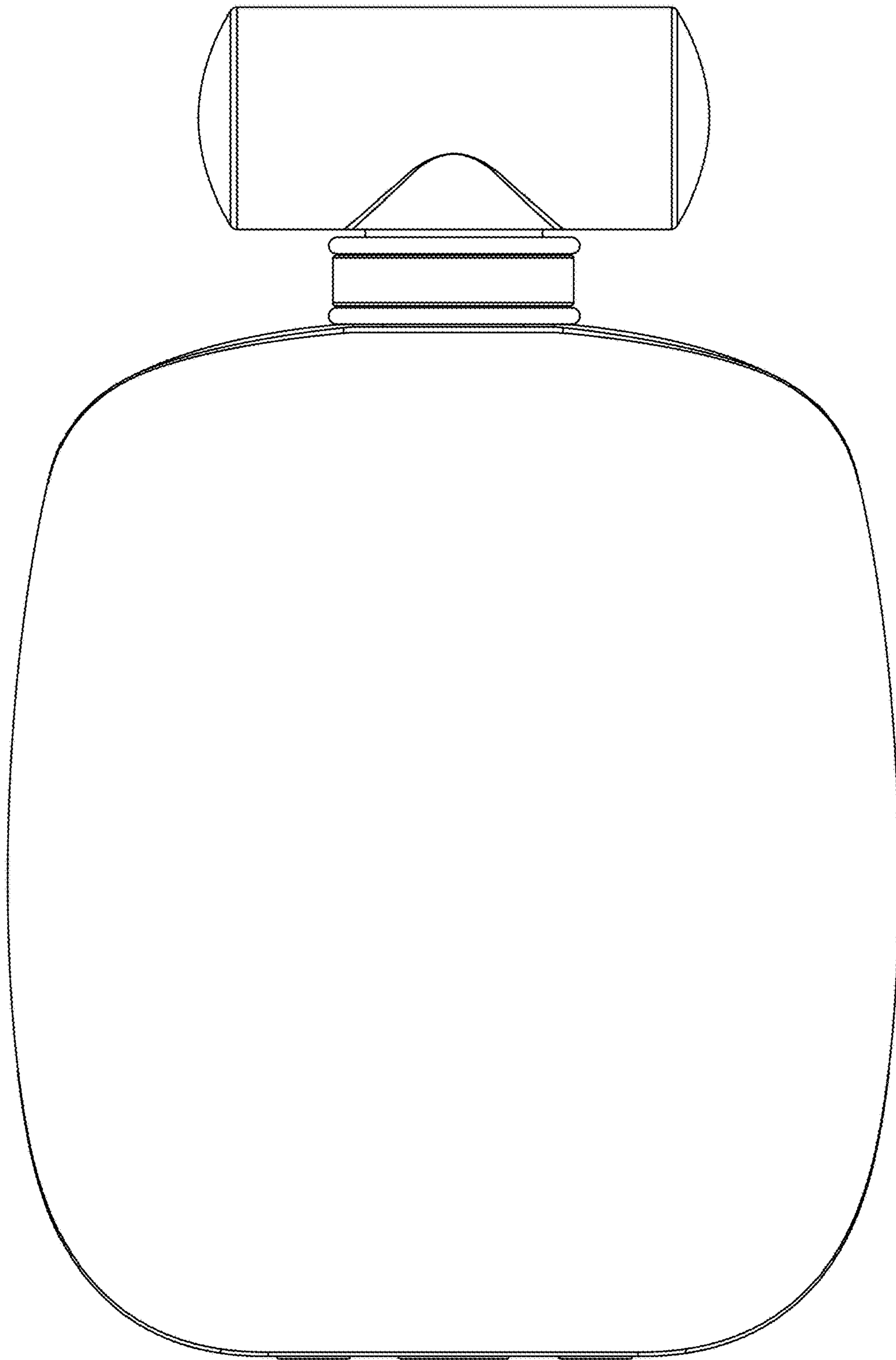


FIG. 3

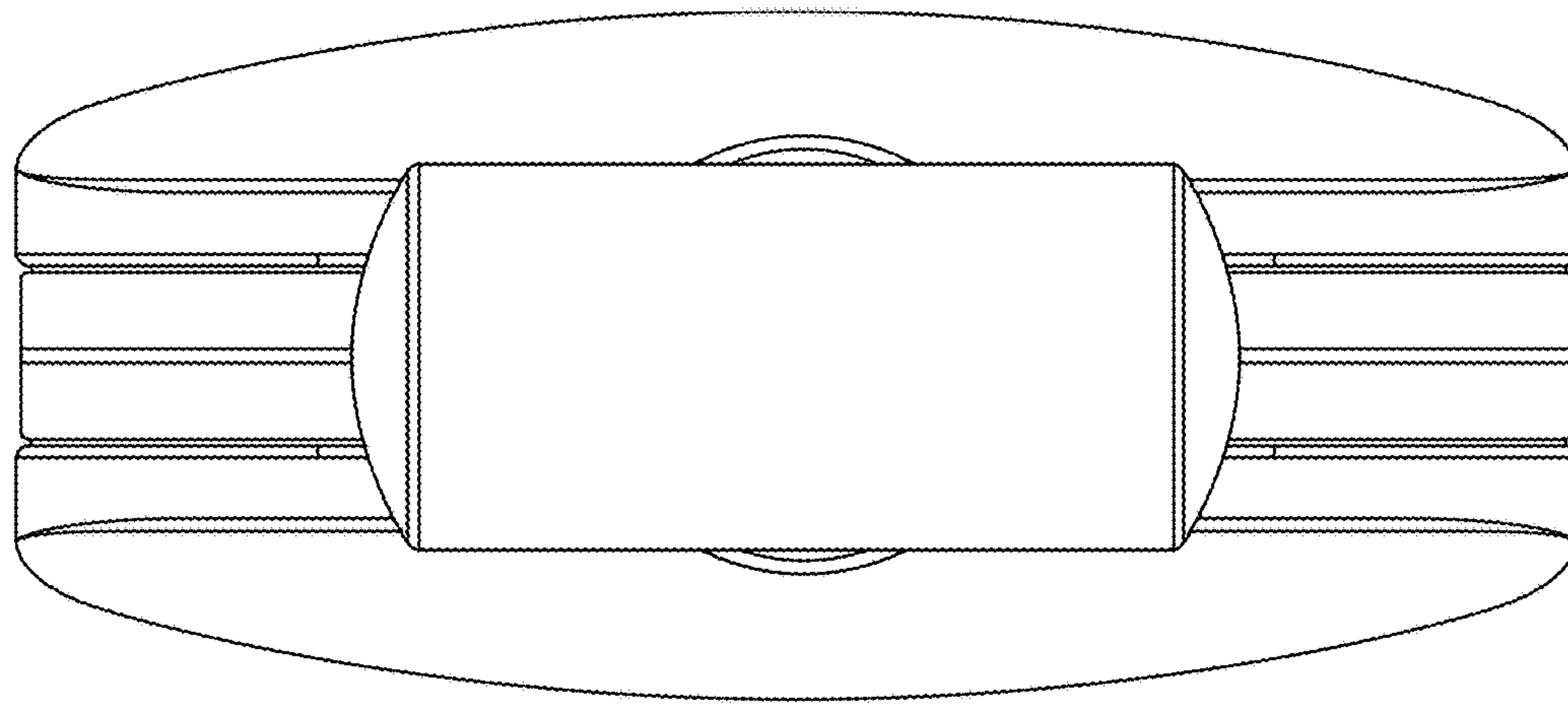


FIG. 4

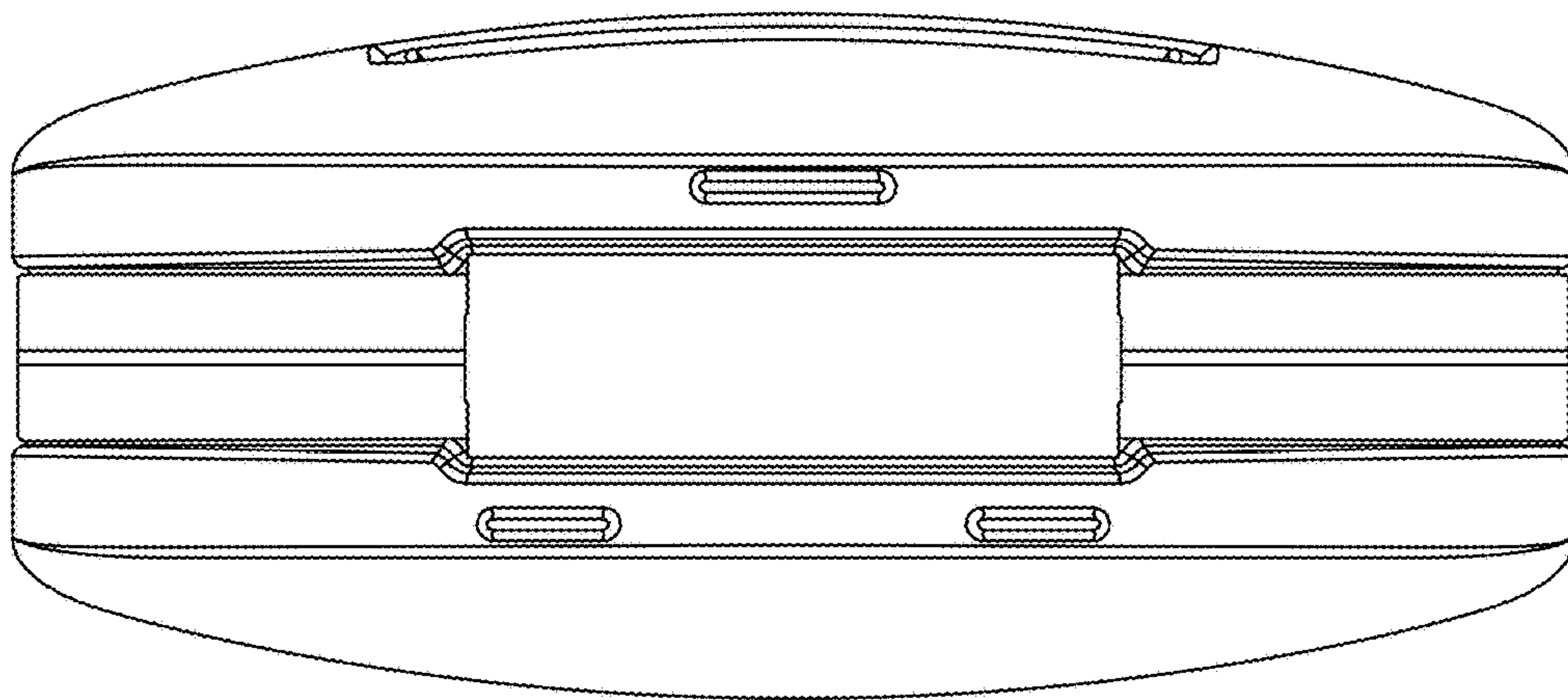


FIG. 5

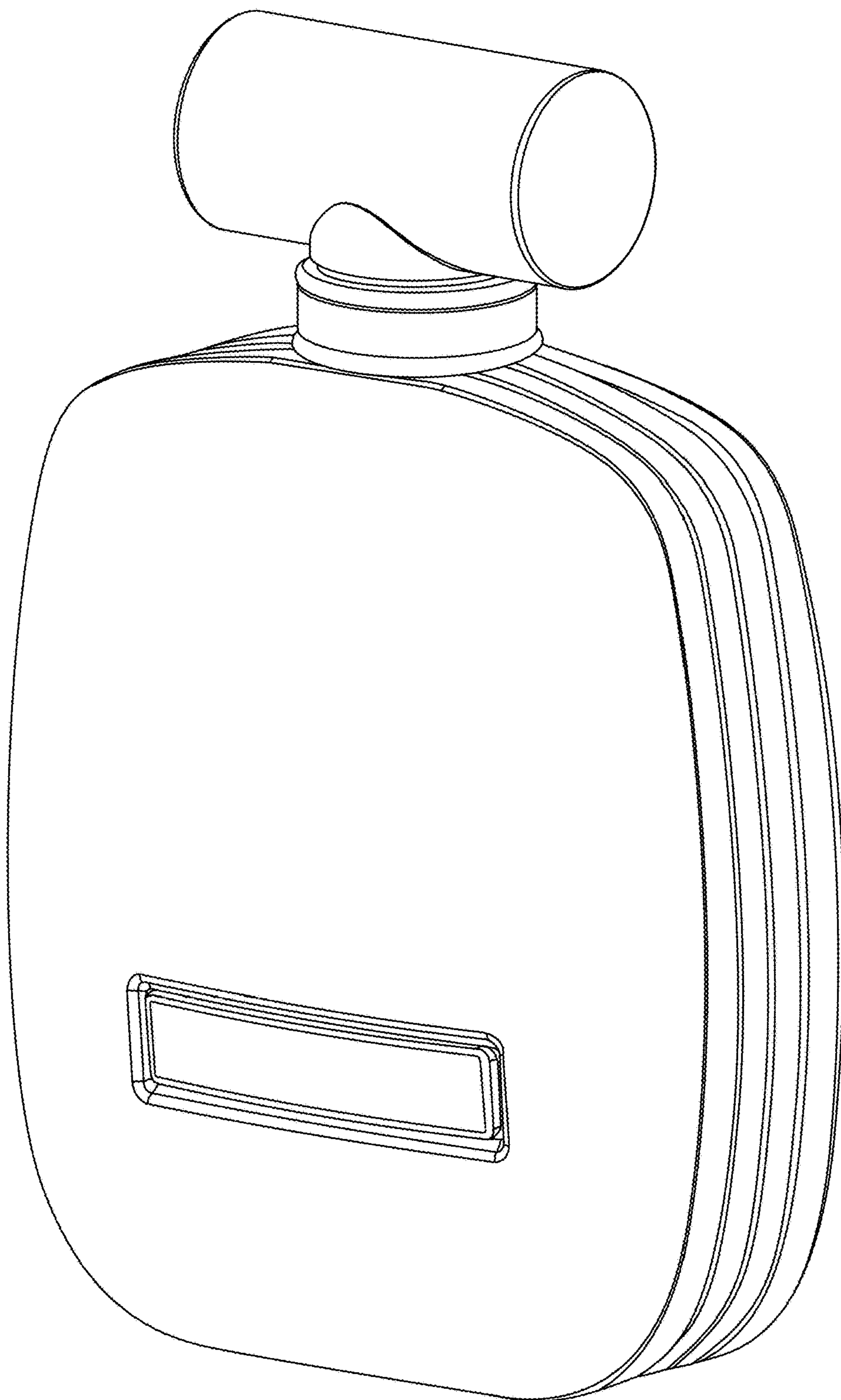


FIG. 6