



US00D843218S

(12) **United States Design Patent**
Hudson et al.

(10) **Patent No.:** **US D843,218 S**
(45) **Date of Patent:** **** Mar. 19, 2019**

- (54) **STORAGE CONTAINER**
- (71) Applicant: **THE SHERWIN-WILLIAMS COMPANY**, Cleveland, OH (US)
- (72) Inventors: **Richard D. Hudson**, North Olmsted, OH (US); **James J. Johnson**, Akron, OH (US); **Gustavo A. Morales**, Brunswick, OH (US); **Edward R. Goodwin, Jr.**, Westlake, OH (US); **Michael C. Lambertson, Jr.**, Aurora, OH (US); **Charles T. Buckel, Jr.**, Valley City, OH (US)

| | | | |
|----------------|---------|------------|--------------------------------|
| 5,855,304 A | 1/1999 | Dean | |
| D431,472 S | 10/2000 | Cain | |
| D460,845 S | 7/2002 | Bergman | |
| 6,708,838 B2 | 3/2004 | Bergman | |
| D505,076 S | 5/2005 | Logan | |
| 6,983,862 B2 * | 1/2006 | Nottingham | B01F 15/00733 206/508 |
| D548,603 S * | 8/2007 | Young | D9/531 |
| D573,475 S * | 7/2008 | Nottingham | D9/531 |
| D623,954 S | 9/2010 | Hawry | |
| D653,548 S | 2/2012 | Wycoff | |
| D691,052 S | 10/2013 | Minghetti | |
| D722,885 S * | 2/2015 | Mooney | D9/543 |

(Continued)

- (73) Assignee: **The Sherwin-Williams Company**, Cleveland, OH (US)

Primary Examiner — Ian Simmons

Assistant Examiner — Keith Frank

(74) *Attorney, Agent, or Firm* — Tucker Ellis LLP; Carlos P. Garritano

- (**) Term: **15 Years**

- (21) Appl. No.: **29/643,165**

- (22) Filed: **Apr. 5, 2018**

Related U.S. Application Data

- (63) Continuation of application No. 29/558,784, filed on Mar. 21, 2016.

- (51) **LOC (11) Cl.** **09-01**

- (52) **U.S. Cl.**
USPC **D9/528**; D9/531; D9/575

- (58) **Field of Classification Search**
USPC D7/598, 600; D9/454, 516, 522–524, D9/526–528, 530–533, 537, 540, 544, D9/545, 549, 575, 715, 719, 741–745; D32/53, 53.1, 54; D23/211, 211.1, 212
CPC B44D 3/12; B65D 25/32; B65D 21/0231; B65D 23/102; B65D 47/06
See application file for complete search history.

- (56) **References Cited**

U.S. PATENT DOCUMENTS

| | | |
|------------|---------|----------|
| D340,189 S | 10/1993 | Fletcher |
| D378,494 S | 3/1997 | Miller |

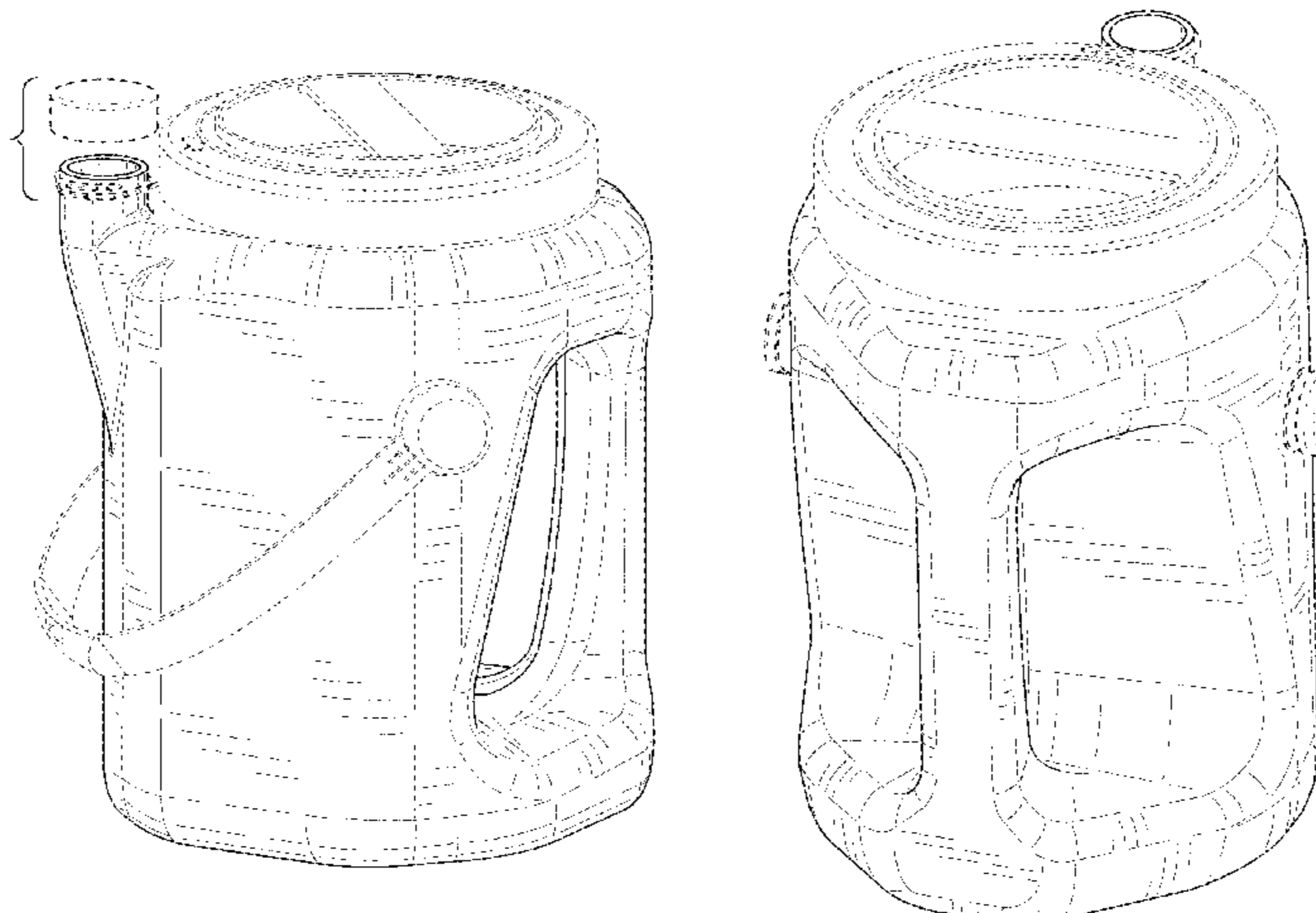
(57) **CLAIM**

The ornamental design for a storage container, as shown and described.

DESCRIPTION

FIG. 1 is a perspective view of a storage container showing our new design;
 FIG. 2 is a perspective rear view of the storage container illustrated in FIG. 1;
 FIG. 3 is a rear perspective view of the storage container illustrated in FIG. 1;
 FIG. 4 is a left side view of the storage container illustrated in FIG. 1 with the right side view being a mirror-image thereof; and,
 FIG. 5 is a perspective view of the storage container illustrated in FIG. 1.
 The broken lines in the drawings showing the storage container illustrate the portions of the storage container that form no part of the claimed designed.

1 Claim, 5 Drawing Sheets



(56)

References Cited

U.S. PATENT DOCUMENTS

D744,186 S * 11/2015 Gringer D32/53.1
D751,913 S 3/2016 Seecof
9,290,310 B2 3/2016 Sinn
9,446,884 B2 * 9/2016 McGinley A47G 19/12
D783,917 S * 4/2017 Gringer D32/53.1
D794,445 S * 8/2017 Yourist D23/211.1
D800,565 S * 10/2017 Bonaventura D9/524
2007/0187412 A1 * 8/2007 Gruskin B65D 1/10
220/500
2007/0187413 A1 8/2007 Gruskin
2007/0187420 A1 * 8/2007 Gruskin B65D 25/2897
220/771
2007/0261983 A1 * 11/2007 Flanagan-Kent
B65D 21/0231
206/510

* cited by examiner

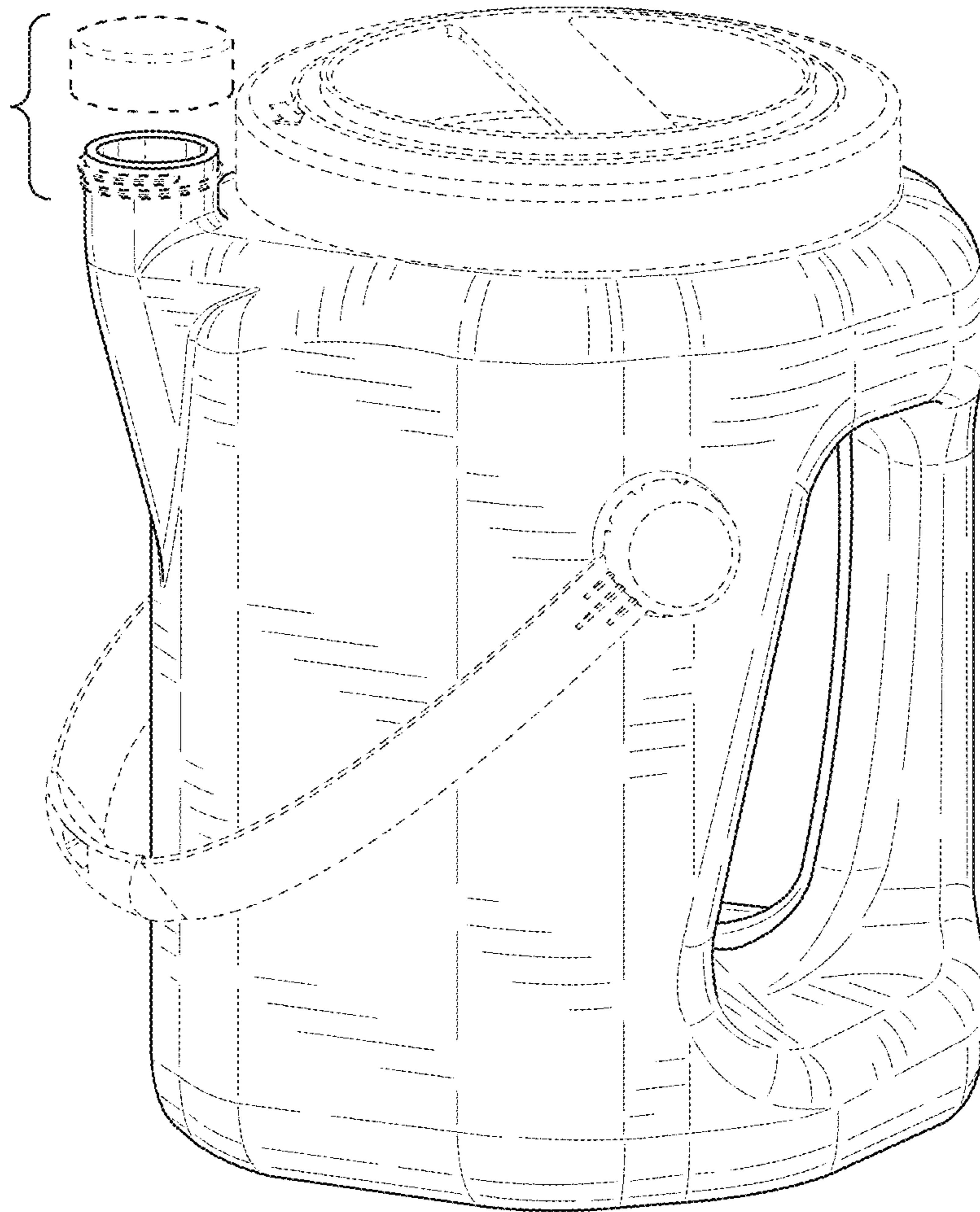


FIG. 1

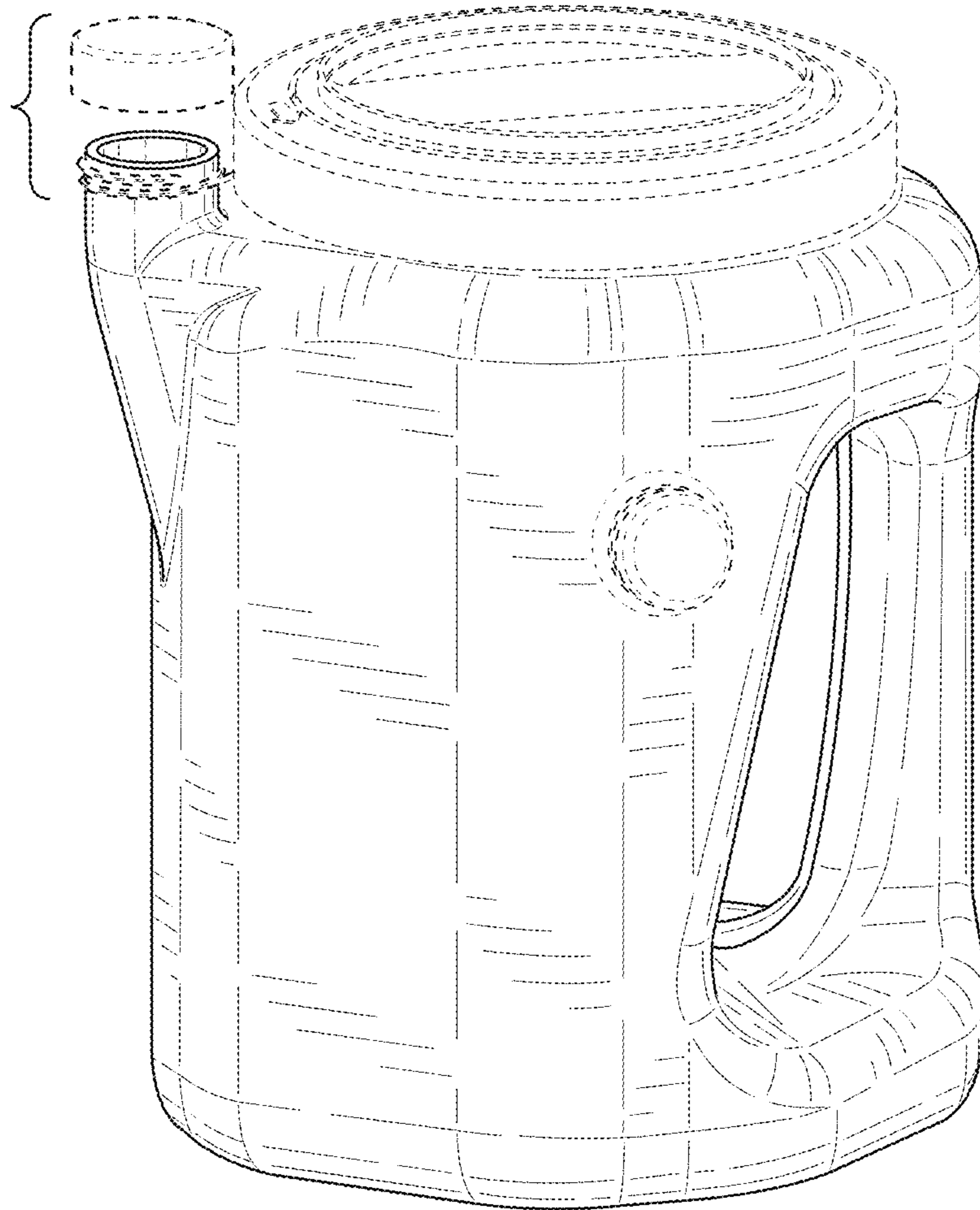


FIG. 2

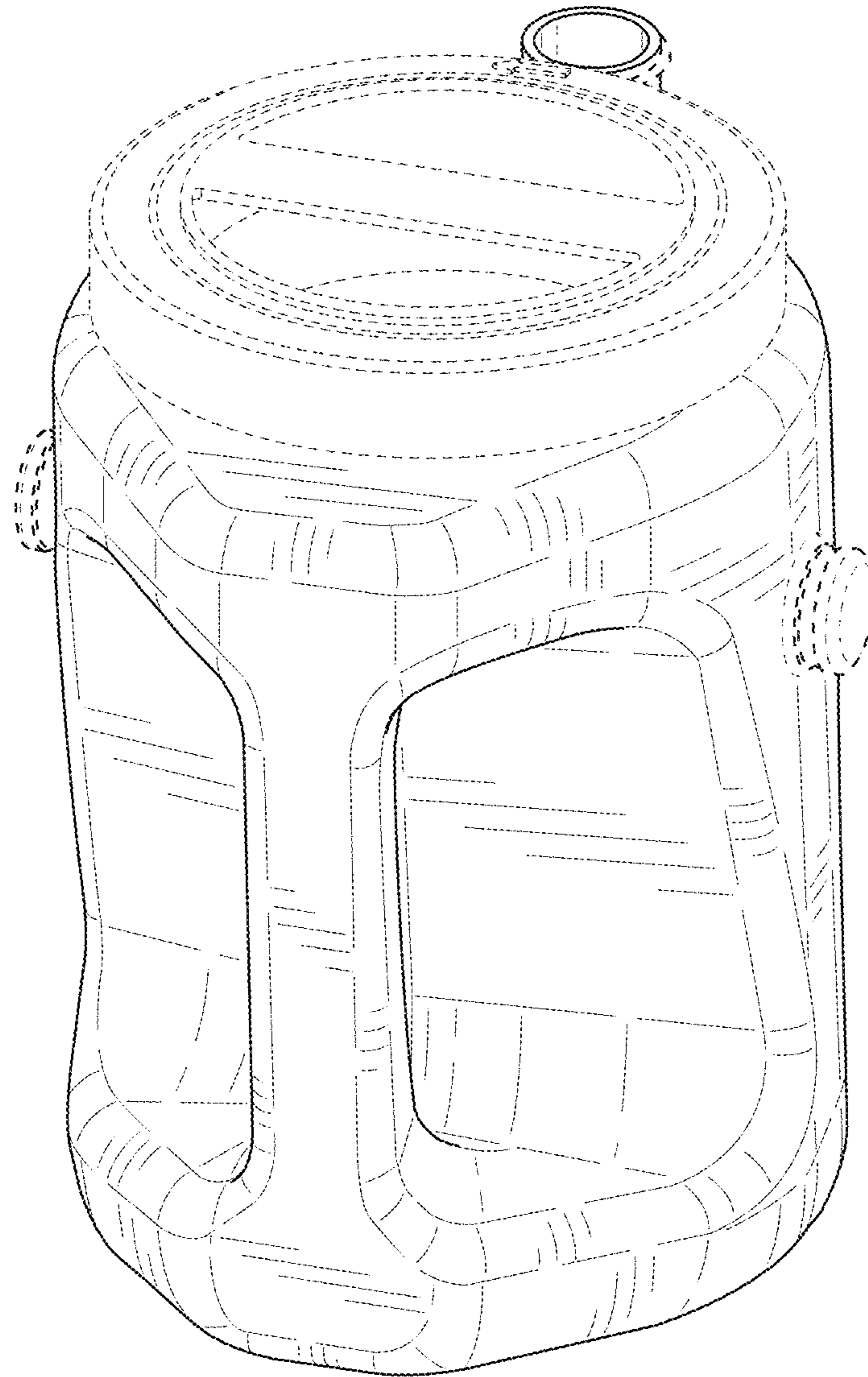


FIG. 3

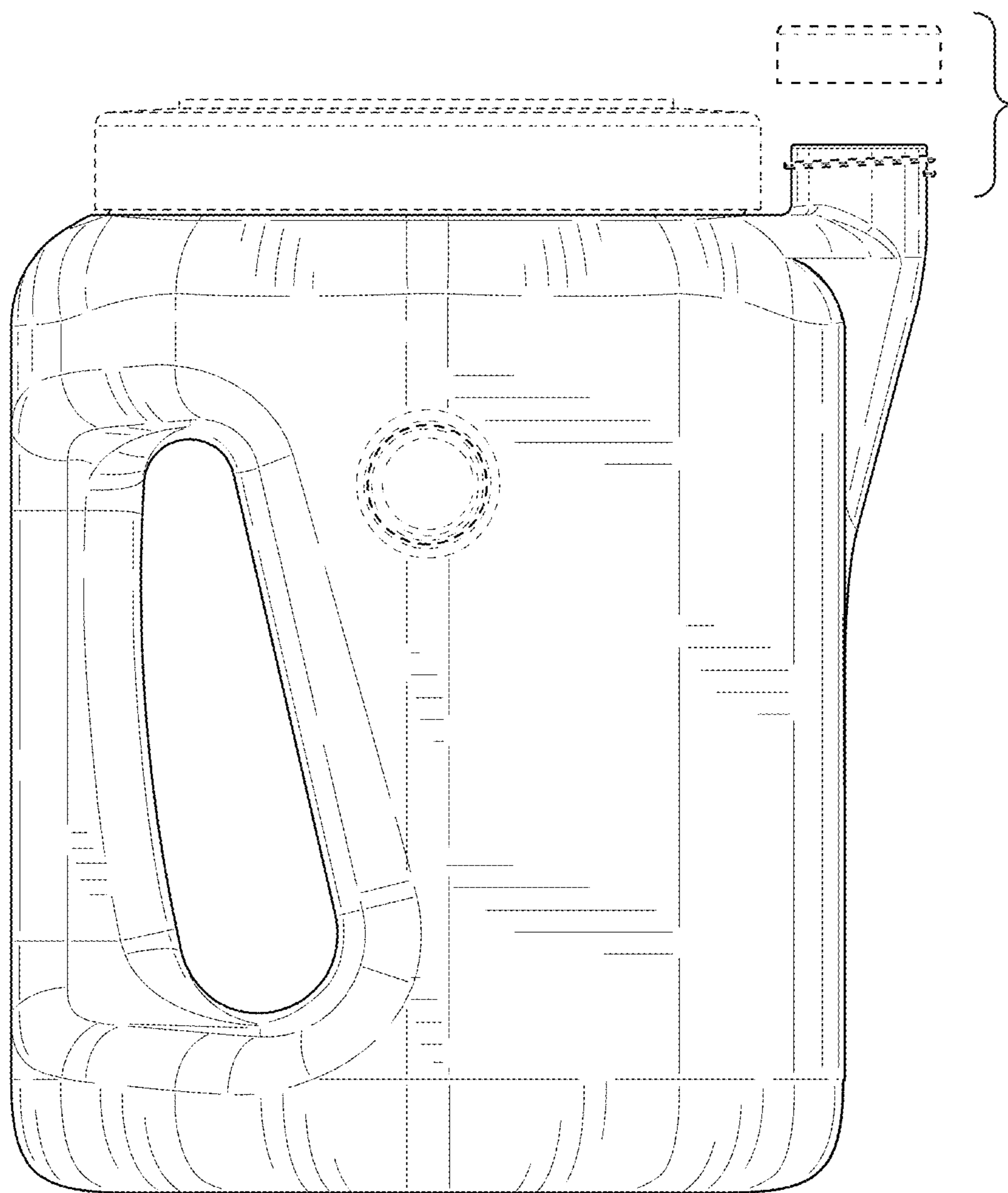


FIG. 4

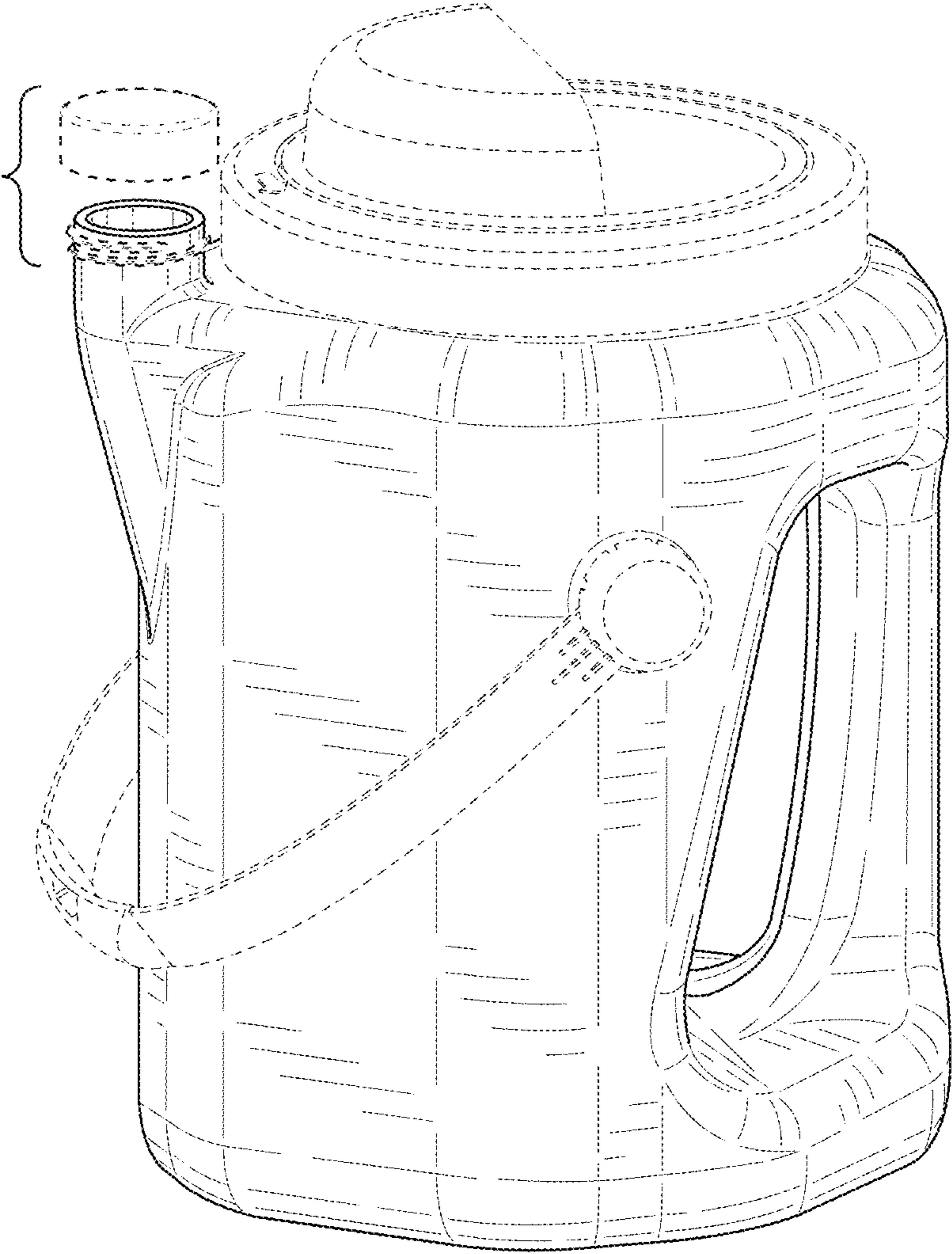


FIG. 5