



US00D843216S

(12) **United States Design Patent**
Suga et al.

(10) **Patent No.:** **US D843,216 S**
(45) **Date of Patent:** **** Mar. 19, 2019**

- (54) **PREFORM FOR BOTTLES**
- (71) Applicant: **DAI NIPPON PRINTING CO., LTD.**,
Tokyo (JP)
- (72) Inventors: **Yusuke Suga**, Tokyo (JP); **Takuma Miyawaki**, Tokyo (JP)
- (73) Assignee: **DAI NIPPON PRINTING CO., LTD.**,
Tokyo (JP)
- (**) Term: **15 Years**
- (21) Appl. No.: **29/627,574**
- (22) Filed: **Nov. 28, 2017**

Related U.S. Application Data

- (62) Division of application No. 29/531,237, filed on Jun. 24, 2015, now Pat. No. Des. 817,173.

(30) **Foreign Application Priority Data**

Dec. 25, 2014 (JP) 2014-029050
 Dec. 25, 2014 (JP) 2014-029081

- (51) **LOC (11) Cl.** **09-03**
- (52) **U.S. Cl.**
USPC **D9/500; D9/521**
- (58) **Field of Classification Search**
USPC D9/499, 500, 516, 521, 740
CPC B29B 11/08; B29C 43/203; B65D 23/08
See application file for complete search history.

(56) **References Cited**

U.S. PATENT DOCUMENTS

4,511,418 A * 4/1985 Tsukada B65D 23/08
156/245
5,952,066 A * 9/1999 Schmidt B65D 1/0215
428/35.9
6,352,426 B1 * 3/2002 Hutchinson B29C 45/045
425/548

6,395,865 B2 * 5/2002 Schmidt C08G 63/80
528/271
7,717,697 B2 * 5/2010 Hutchinson B29C 33/04
425/143
D644,536 S * 9/2011 Witz D9/499
2003/0031814 A1 * 2/2003 Hutchinson B29C 45/1684
428/35.7

(Continued)

FOREIGN PATENT DOCUMENTS

EP 842857 A2 * 5/1998
JP 2002326220 * 11/2002

(Continued)

OTHER PUBLICATIONS

Oct. 28, 2016 Search Report issued in Japanese Patent Application No. 2016-016147.

Primary Examiner — Sheryl Lane
Assistant Examiner — Calvin E Vansant
 (74) *Attorney, Agent, or Firm* — Oliff PLC

(57) **CLAIM**

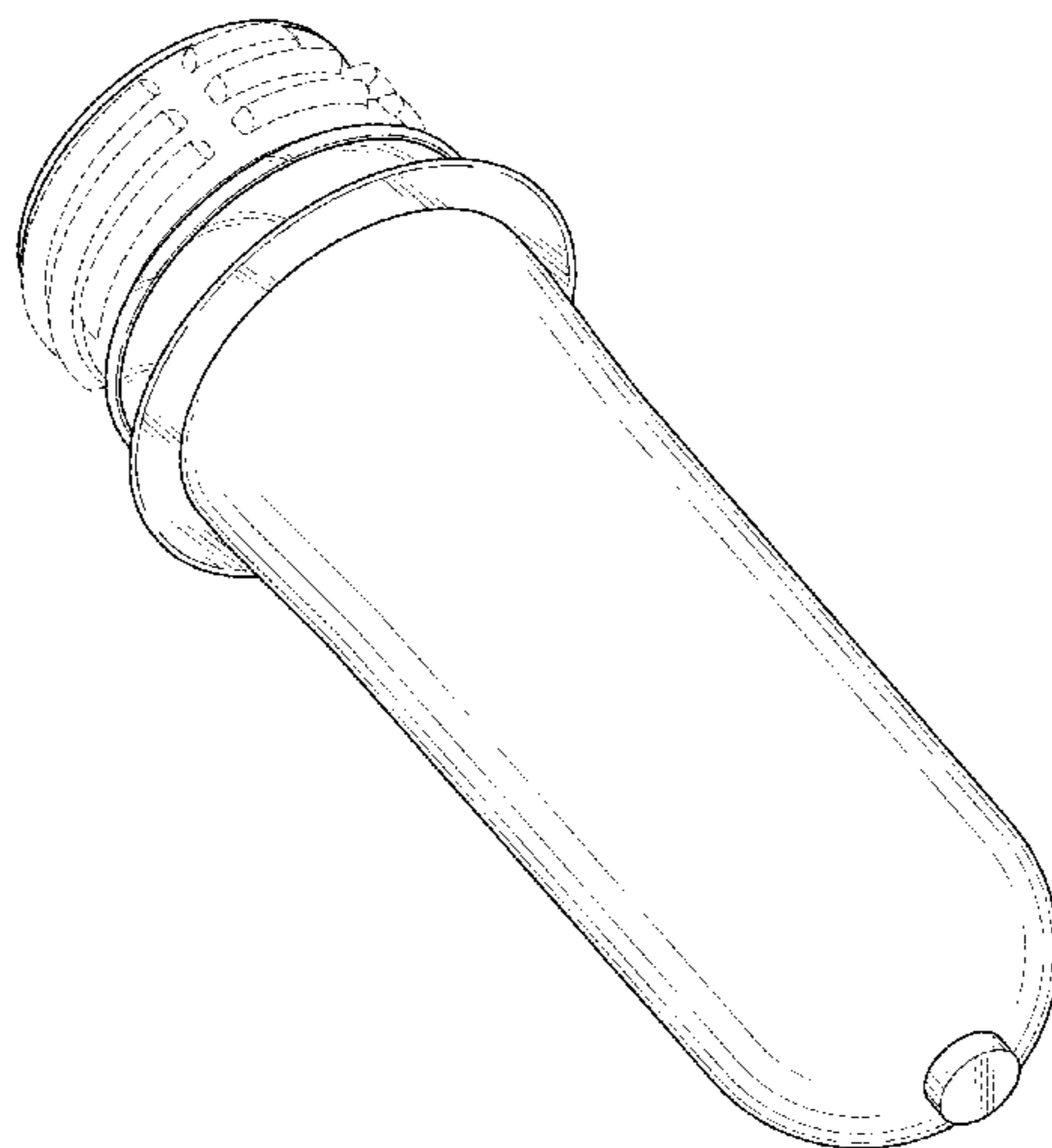
The ornamental design for a preform for bottles, as shown and described.

DESCRIPTION

FIG. 1 is a front, bottom, left-side perspective view of the preform for bottles;
 FIG. 2 is a front elevational view thereof;
 FIG. 3 is a rear elevational view thereof;
 FIG. 4 is a left-side elevational view thereof;
 FIG. 5 is a right-side elevational view thereof;
 FIG. 6 is a top plan view thereof;
 FIG. 7 is a bottom plan view thereof; and,
 FIG. 8 is a cross-sectional view taken along line 8-8 in FIG. 2.

The broken lines depict environmental subject matter only and form no part of the claimed design.

1 Claim, 5 Drawing Sheets



(56)

References Cited

U.S. PATENT DOCUMENTS

2005/0136201 A1* 6/2005 Farha B29C 45/1684
428/35.7
2006/0099363 A1* 5/2006 Farha B05D 3/0263
428/35.7
2010/0307633 A1* 12/2010 Dierickx B29B 11/14
141/1
2015/0352746 A1* 12/2015 Pagliacci B29B 11/14
428/36.92
2017/0266848 A1* 9/2017 Sasaki B29C 49/04

FOREIGN PATENT DOCUMENTS

JP 2006263948 A * 10/2006
JP 2006-334854 A 12/2006

* cited by examiner

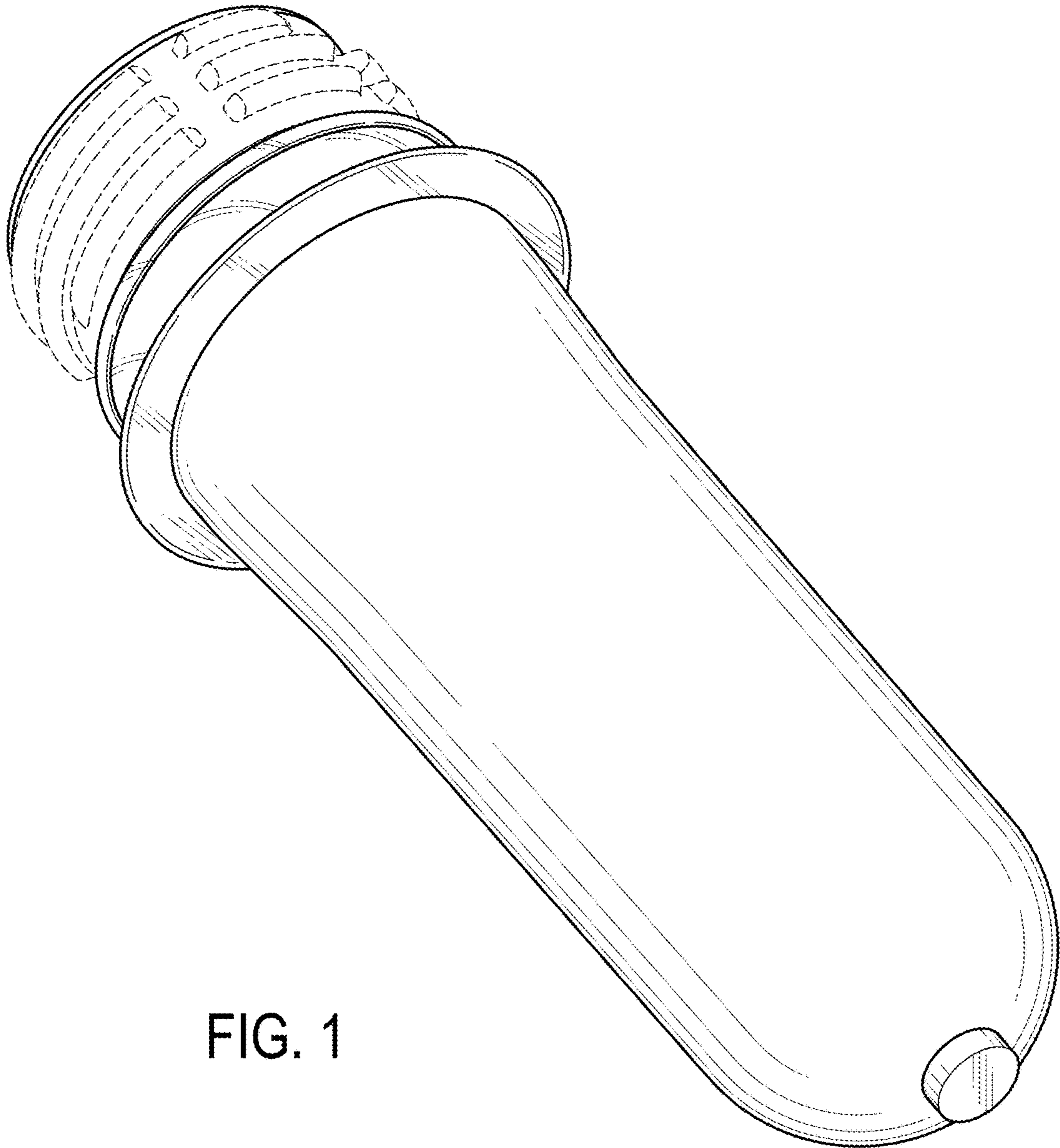


FIG. 1

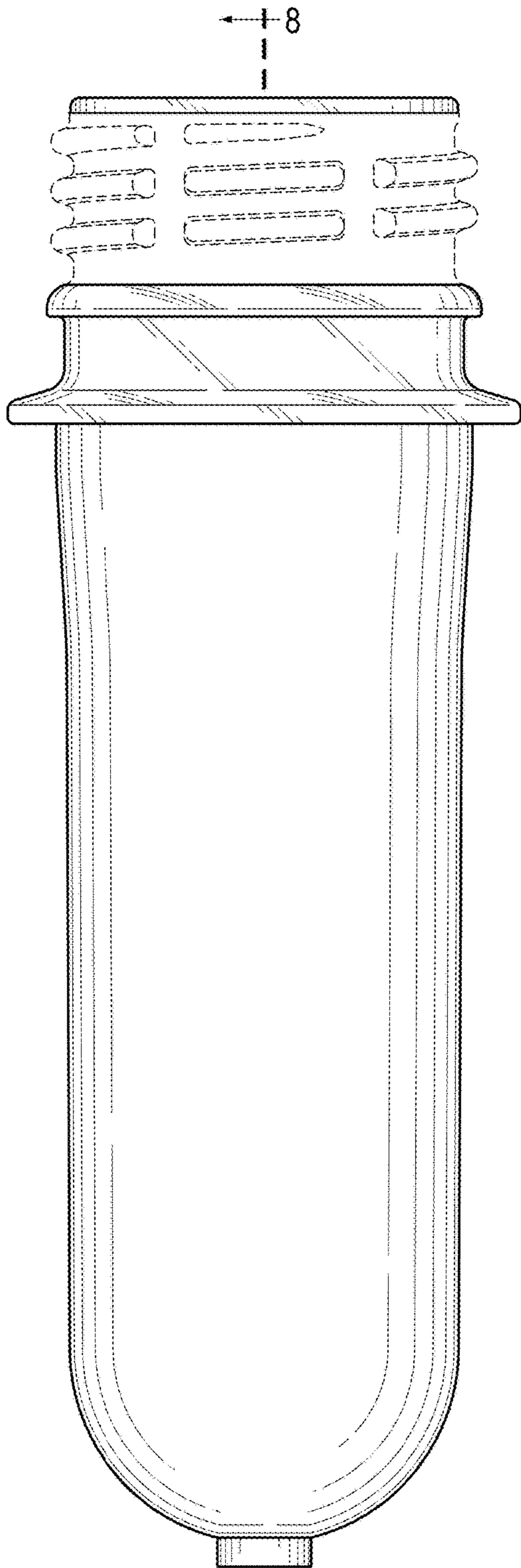


FIG. 2

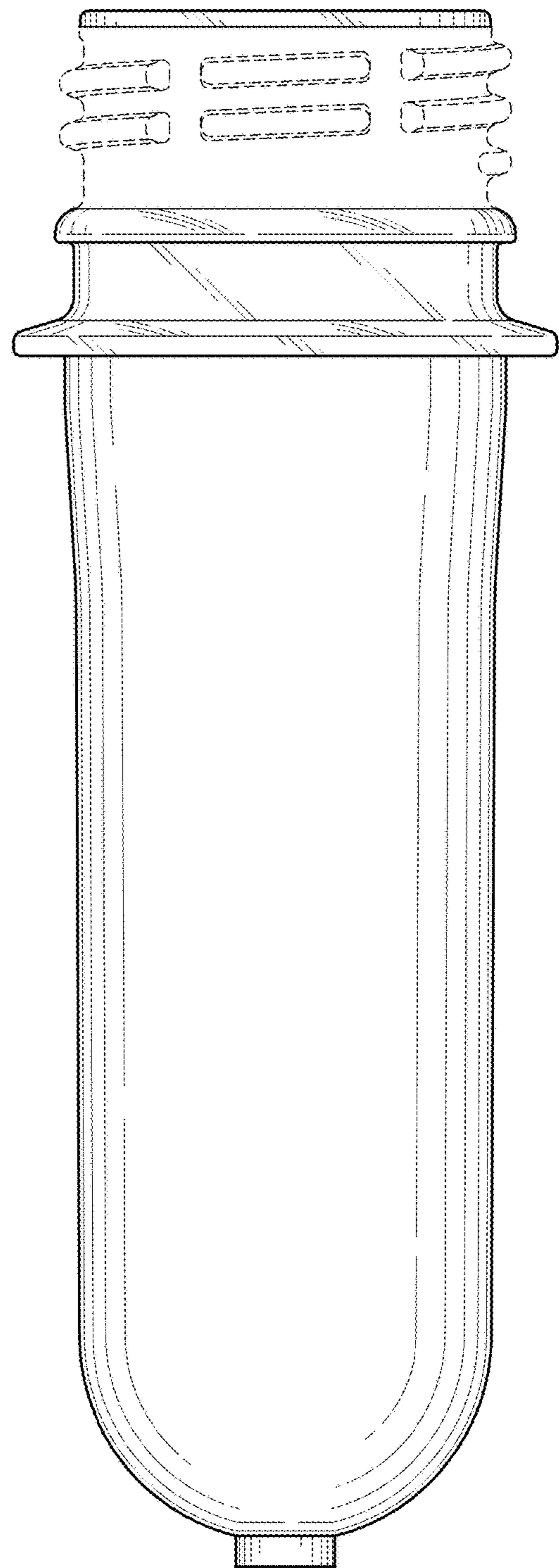


FIG. 3

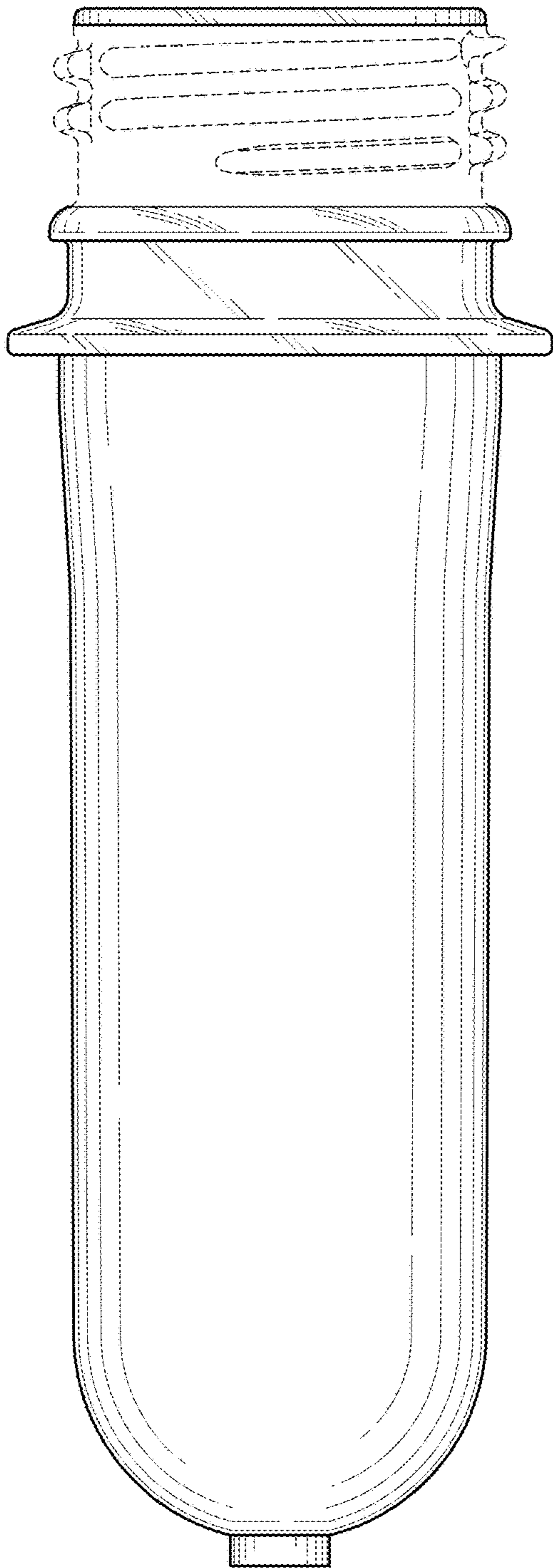


FIG. 4

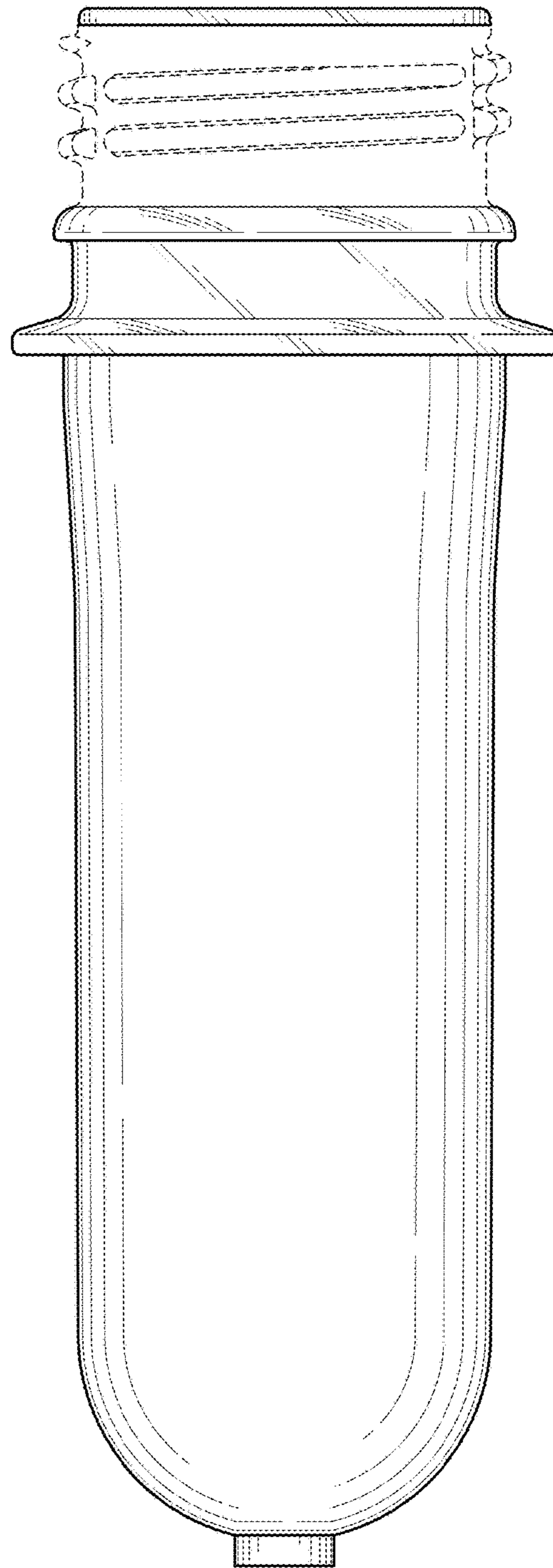


FIG. 5

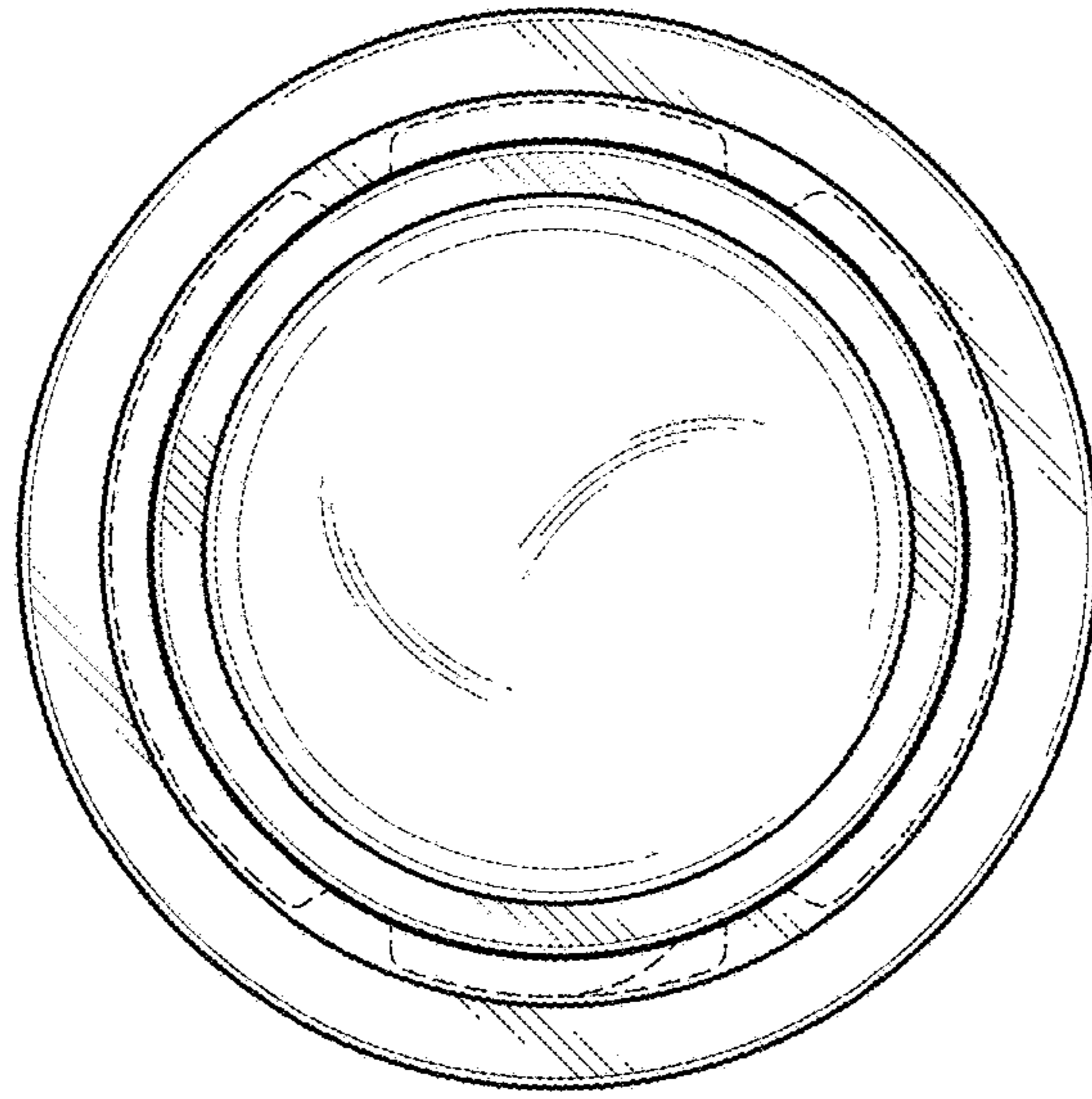


FIG. 6

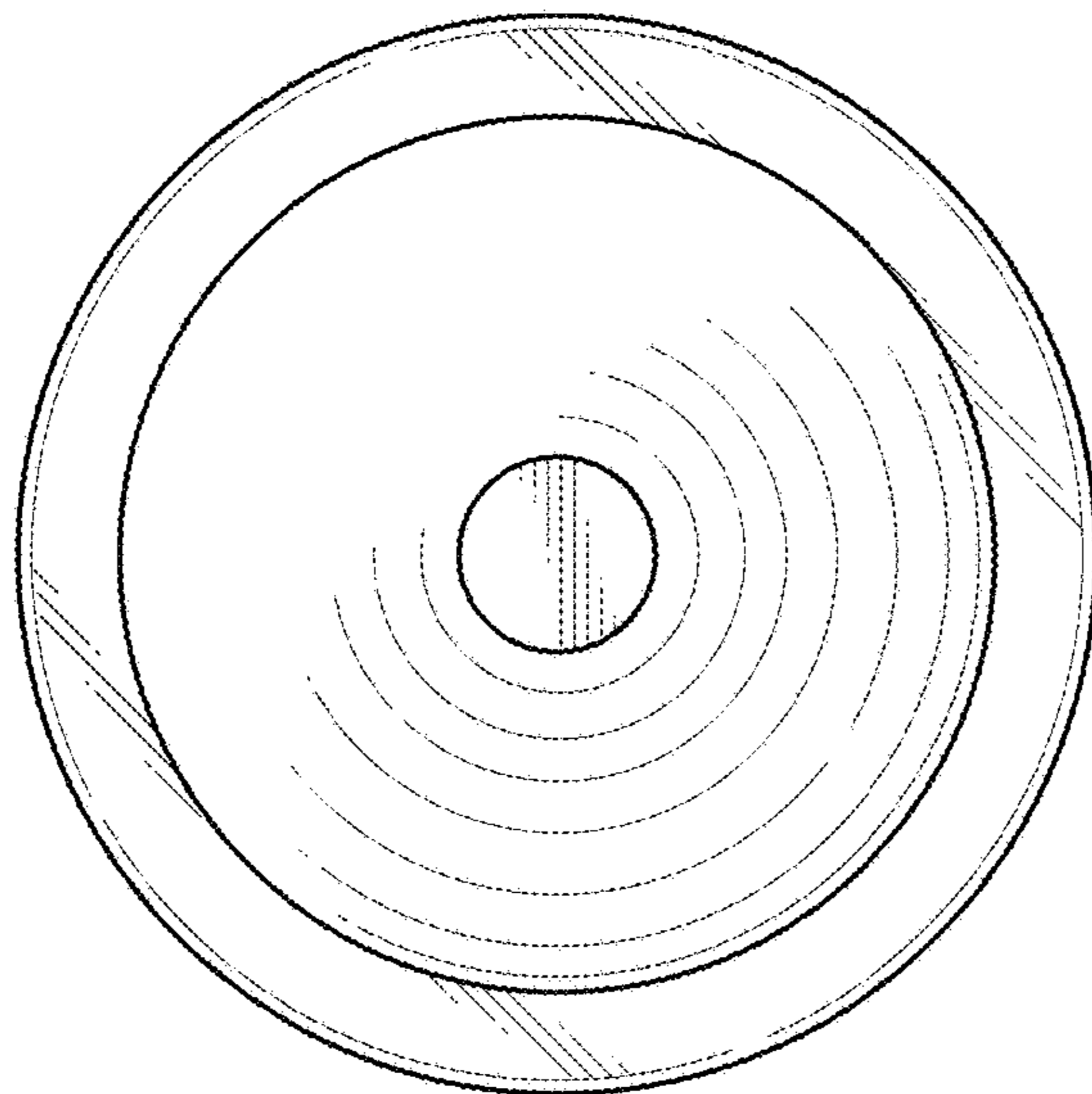


FIG. 7

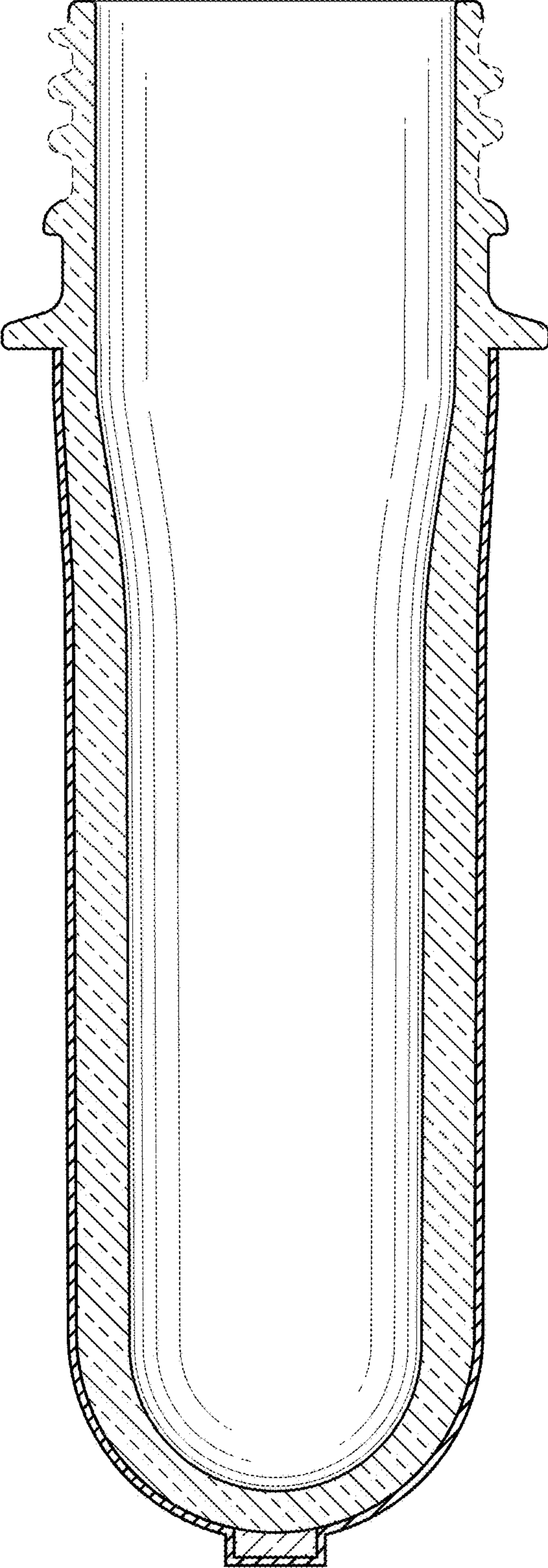


FIG. 8