



US00D843215S

(12) **United States Design Patent**  
**Steigelman**

(10) **Patent No.:** **US D843,215 S**  
(45) **Date of Patent:** **\*\* Mar. 19, 2019**

(54) **CAP FOR A LIQUID CONTAINER**

- (71) Applicant: **Steigelman & Associates, LLC**, San Diego, CA (US)
- (72) Inventor: **Eric Steigelman**, San Diego, CA (US)
- (73) Assignee: **STEIGELMAN & ASSOCIATES, LLC**, San Diego, CA (US)
- (\*\*) Term: **15 Years**
- (21) Appl. No.: **29/621,822**
- (22) Filed: **Oct. 11, 2017**
- (51) **LOC (11) Cl.** ..... **09-07**
- (52) **U.S. Cl.**  
USPC ..... **D9/453; D9/435**
- (58) **Field of Classification Search**  
USPC ..... D7/316, 392, 392.1, 396.2, 397, 510, D7/533; D9/434-436, 440, 443, 445, D9/447, 452-454, 499; D8/300, 301, D8/305, 310, 312  
CPC ..... B65D 41/00; B65D 41/38; B65D 41/56; B65D 41/62; B65D 47/00; B65D 47/06; B65D 47/08; B65D 2543/00046; B65D 2543/00092; B65D 2543/00296; B65D 51/28; B65D 21/0237; B65D 81/3205  
See application file for complete search history.

(56) **References Cited**

**U.S. PATENT DOCUMENTS**

D400,793 S	*	11/1998	Kuhn	.....	D9/453
D466,365 S	*	12/2002	Brown	.....	D7/392.1
D526,043 S	*	8/2006	Thompson	.....	D23/208
D540,618 S	*	4/2007	Ranzoni	.....	D7/393
D562,626 S	*	2/2008	Freeman	.....	D7/387
D588,871 S	*	3/2009	Miller	.....	D7/510
D657,994 S	*	4/2012	Wahl	.....	D7/392
D741,656 S	*	10/2015	Tello	.....	B42D 25/22
					D7/510
D745,642 S	*	12/2015	Luo	.....	D23/260
D818,310 S	*	5/2018	Cheng	.....	D7/392.1

**OTHER PUBLICATIONS**

Shantou Caixin Plastic. High quality 22mm Spout Cap Plastic Fitment for Pouch Bag. 2017 [earliest online date], [site visited Aug. 30, 2018]. Available from Internet, <URL: <http://caixinplastics.sell.everychina.com/p-106773683-high-quality-22mm-spout-cap-plastic-fitment-for-pouch-bag.html>>. (Year: 2017).\*

Anhui Koyo Beverage Machinery. doypack bag with cap. 2017 [earliest online date], [site visited Aug. 30, 2018]. Available from Internet, <URL:<http://pypack-com.sell.everychina.com/p-106655140-doypack-bag-with-cap-doypack-filling-nnachine-standing-pouch-with-straw-straw-bag-filling-capping-machine.html>>. (Year: 2017).\*

\* cited by examiner

*Primary Examiner* — George D. Kirschbaum  
*Assistant Examiner* — Darcey E Heflin

(74) *Attorney, Agent, or Firm* — Knobbe, Martens, Olson & Bear, LLP

(57) **CLAIM**

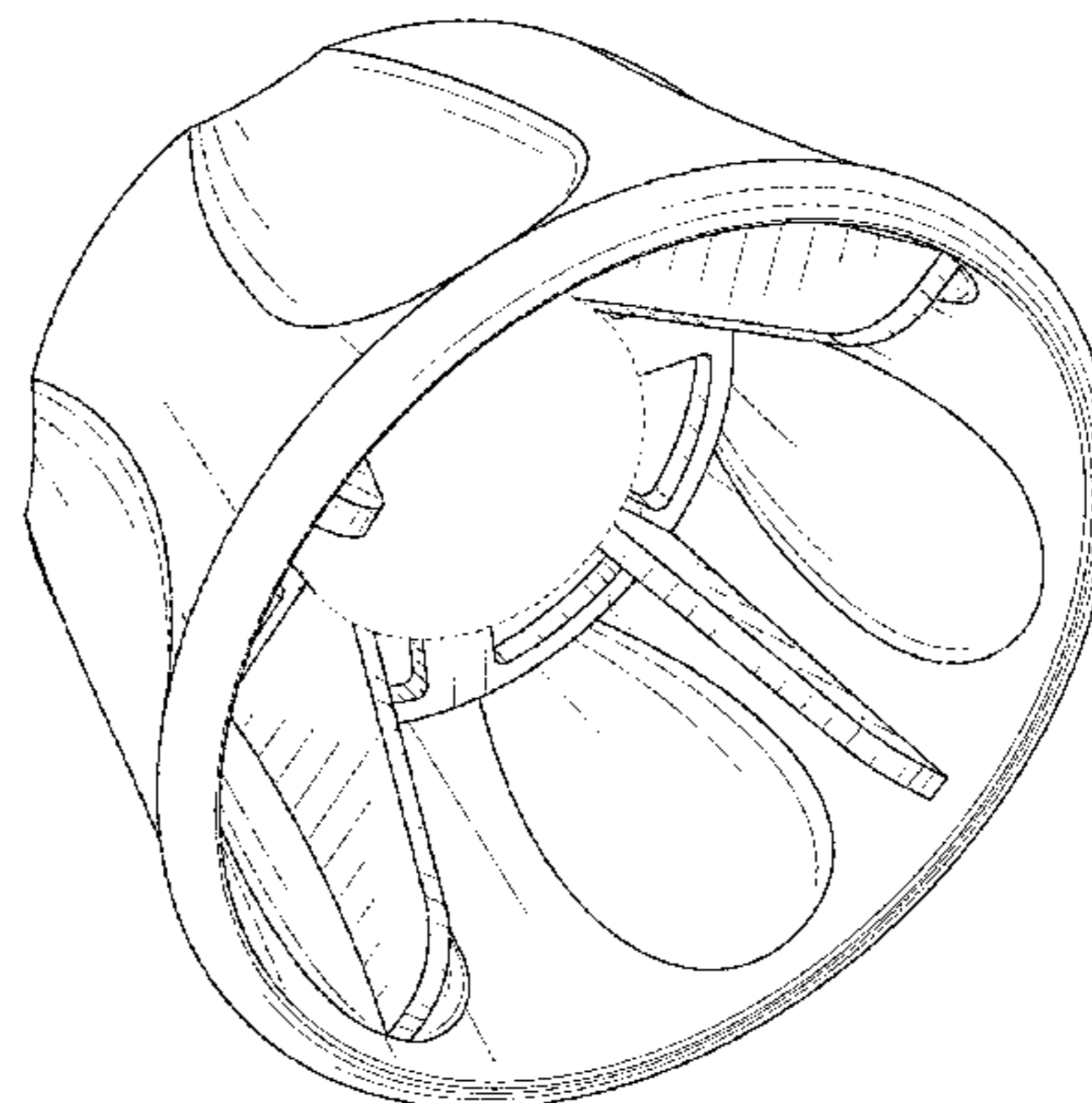
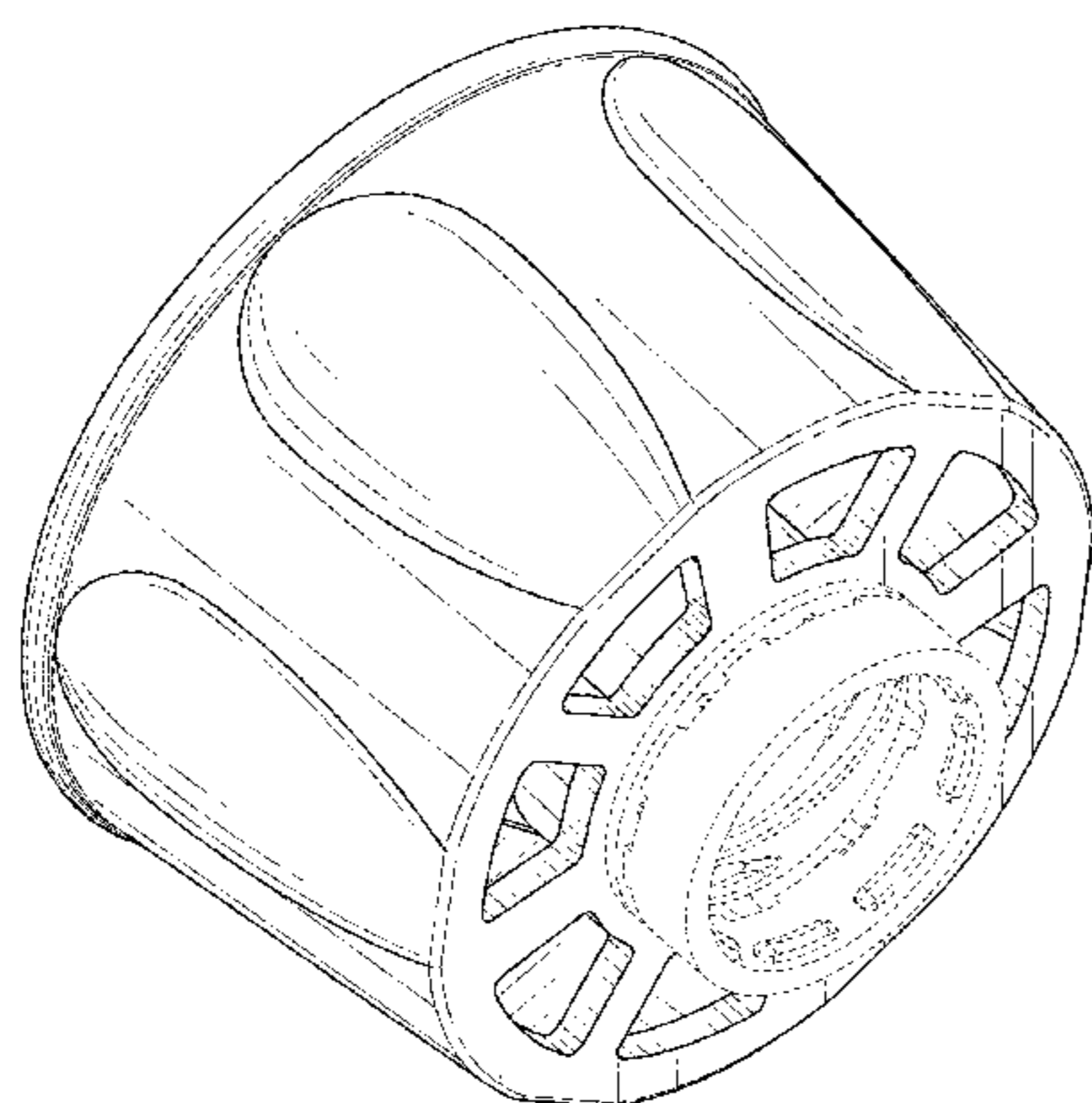
The ornamental design for a cap for a liquid container, as shown and described herein.

**DESCRIPTION**

FIG. 1 is a bottom perspective view of the cap for a liquid container showing my new design;  
 FIG. 2 is a top perspective view thereof;  
 FIG. 3 is a bottom view thereof;  
 FIG. 4 is a top view thereof;  
 FIG. 5 is a side view in direction of arrow 5 of FIG. 4.  
 FIG. 6 is a side view in direction of arrow 6 of FIG. 4.  
 FIG. 7 is a side view in direction of arrow 7 of FIG. 4.  
 FIG. 8 is a side view in direction of arrow 8 of FIG. 4; and,  
 FIG. 9 is a perspective view of the cap in context of a liquid container.

In the drawings, the broken lines show portions of a cap that form no part of the claim; in FIG. 9, the broken lines depict environment that forms no part thereof.

**1 Claim, 7 Drawing Sheets**



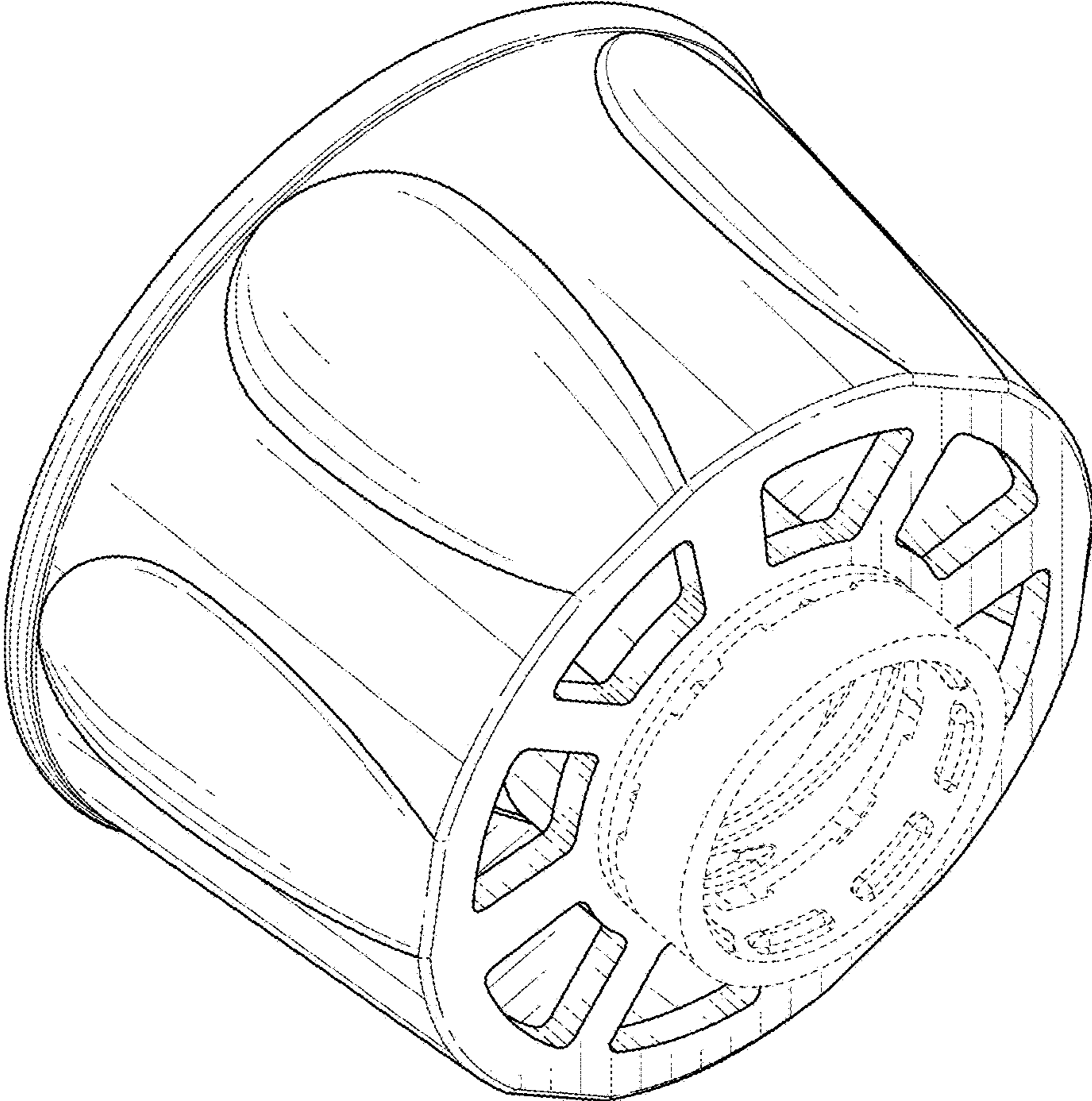


FIG. 1

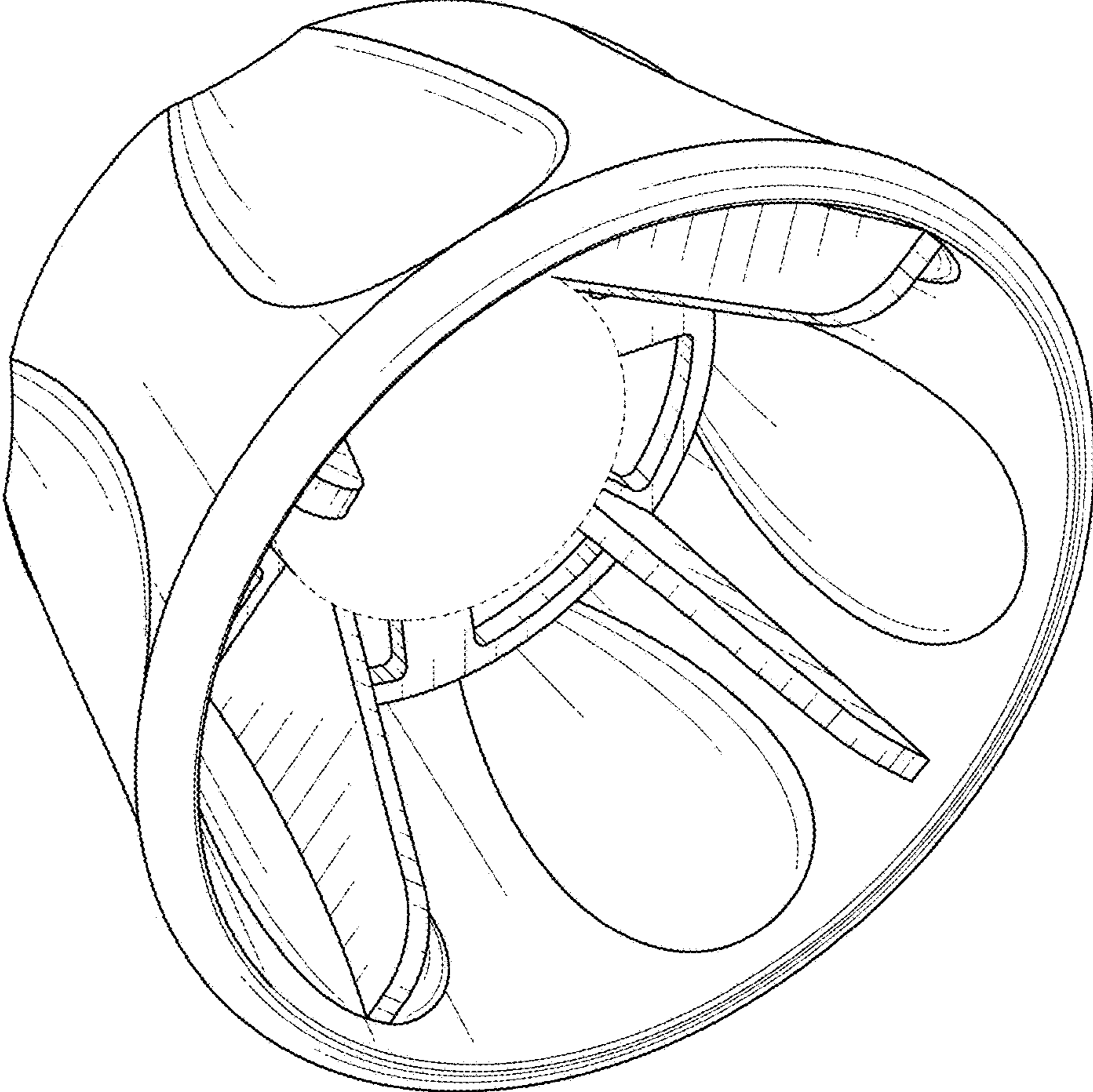


FIG. 2



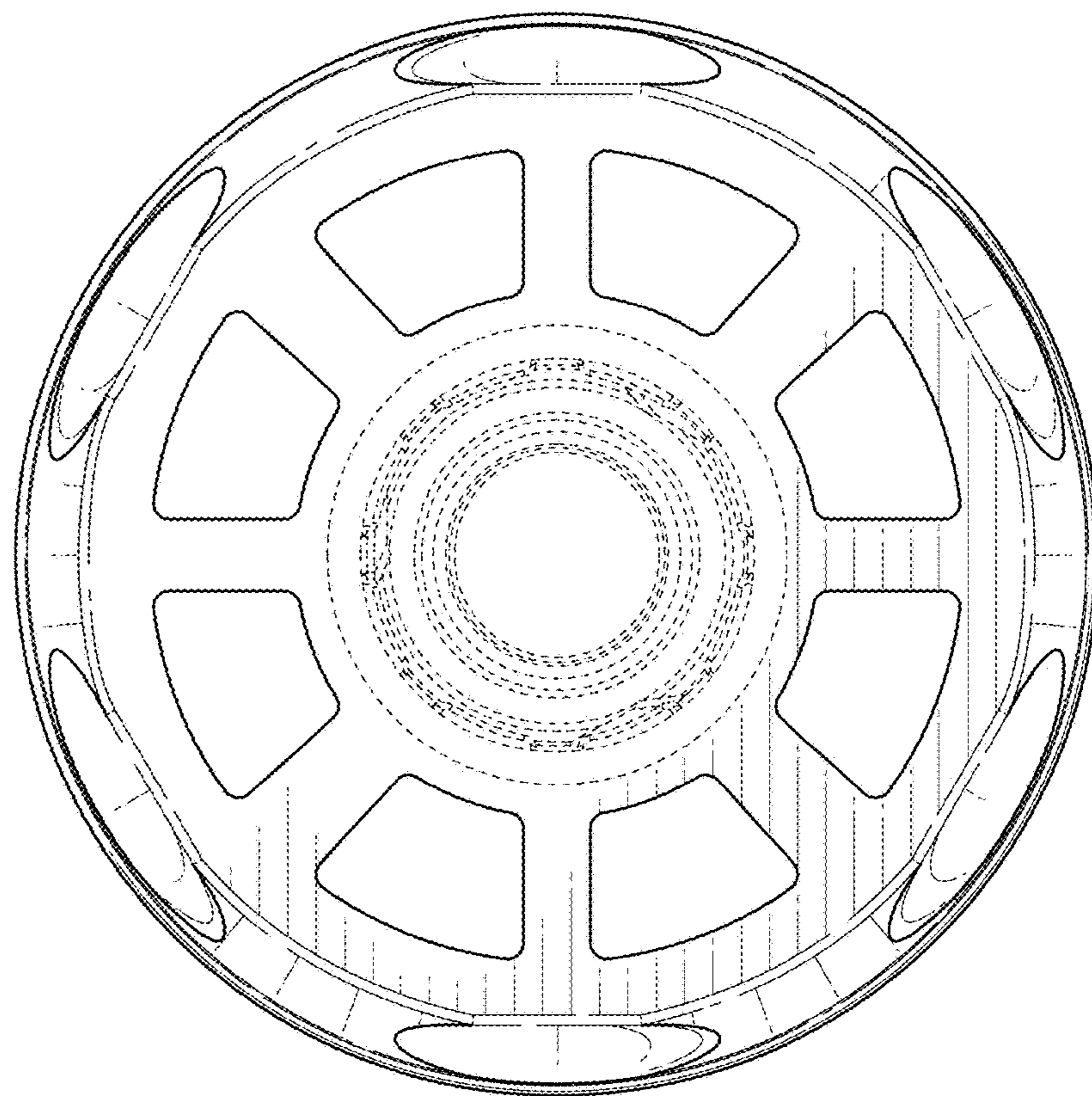


FIG. 3

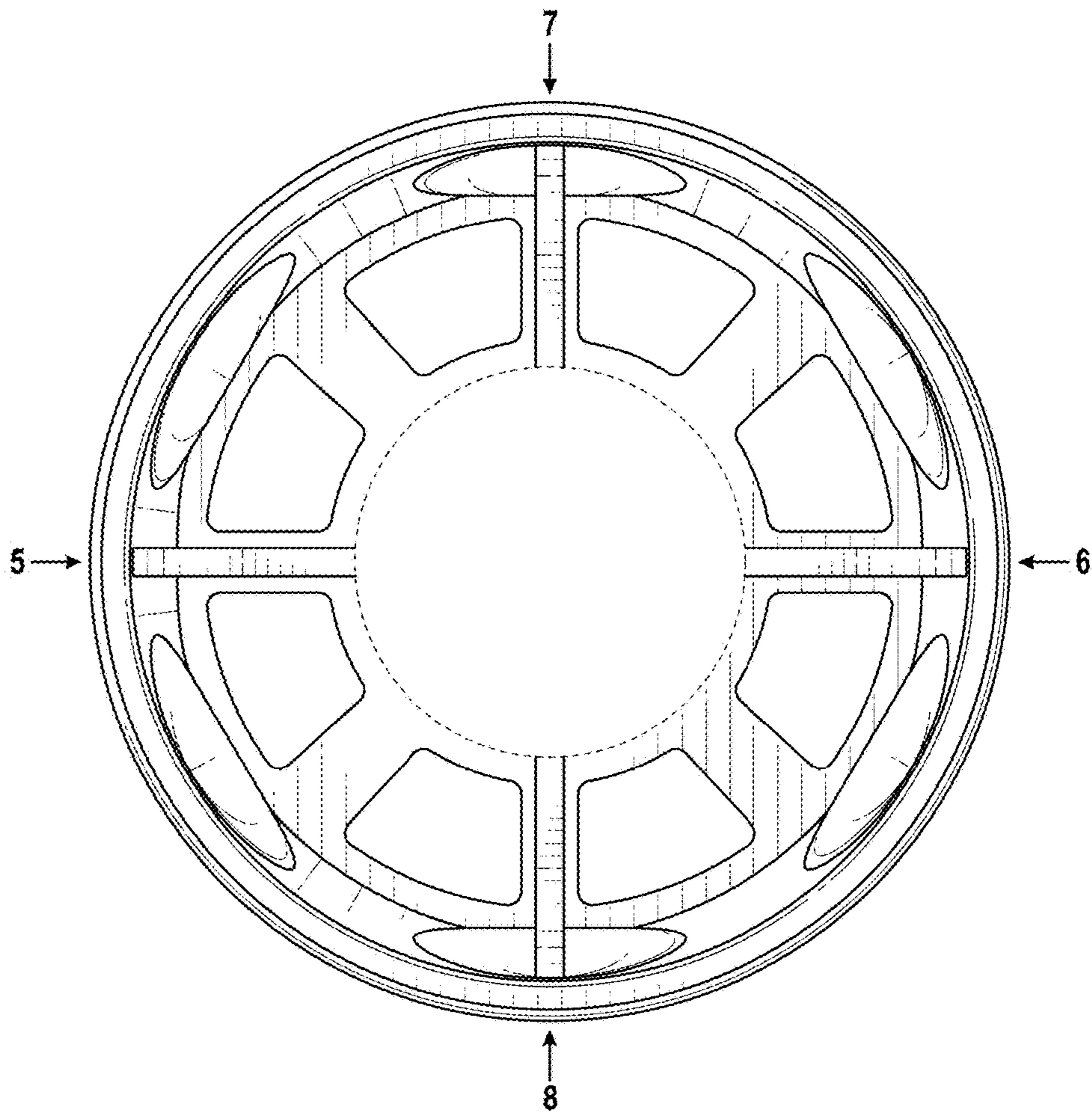


FIG. 4

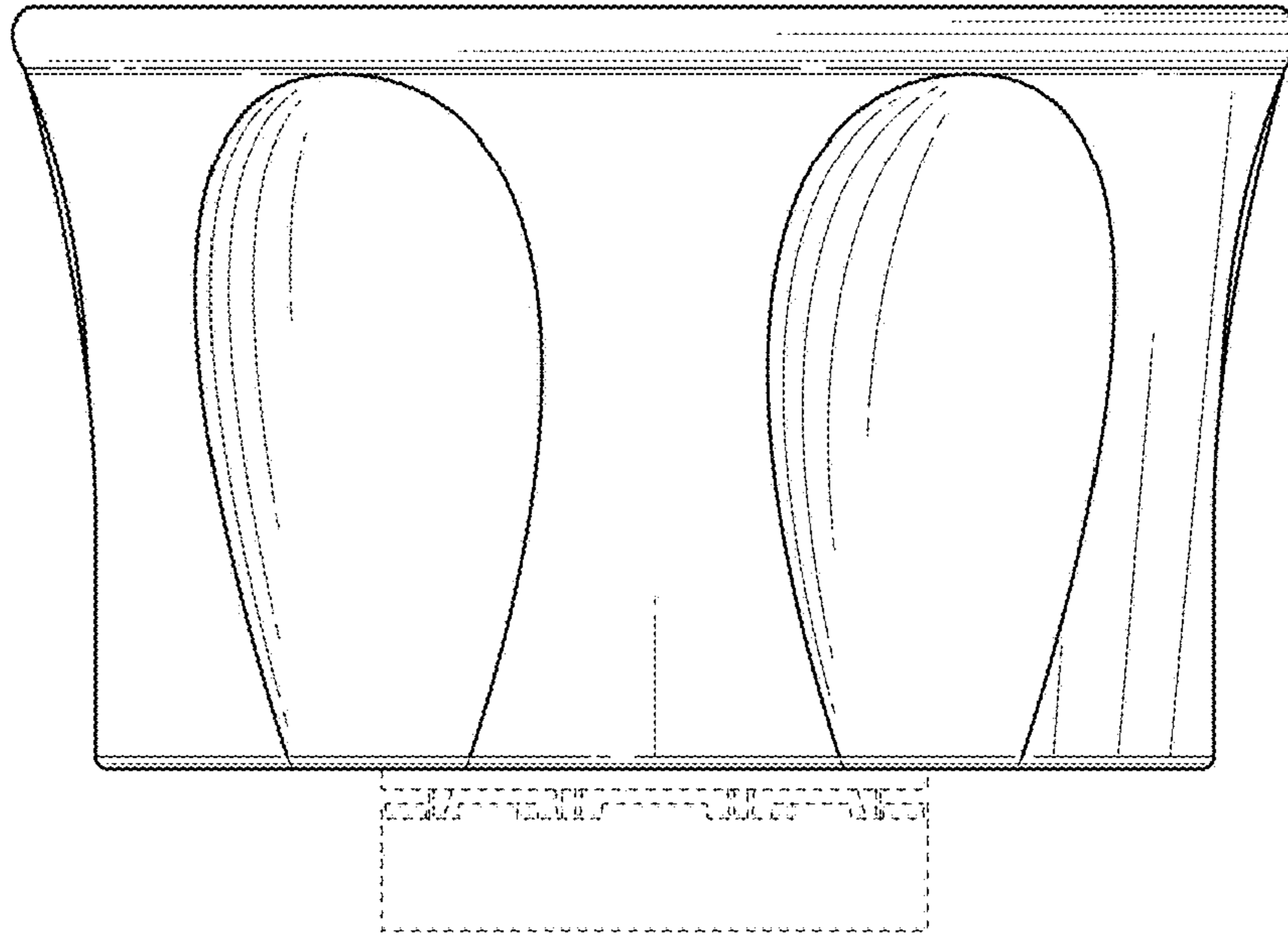


FIG. 5

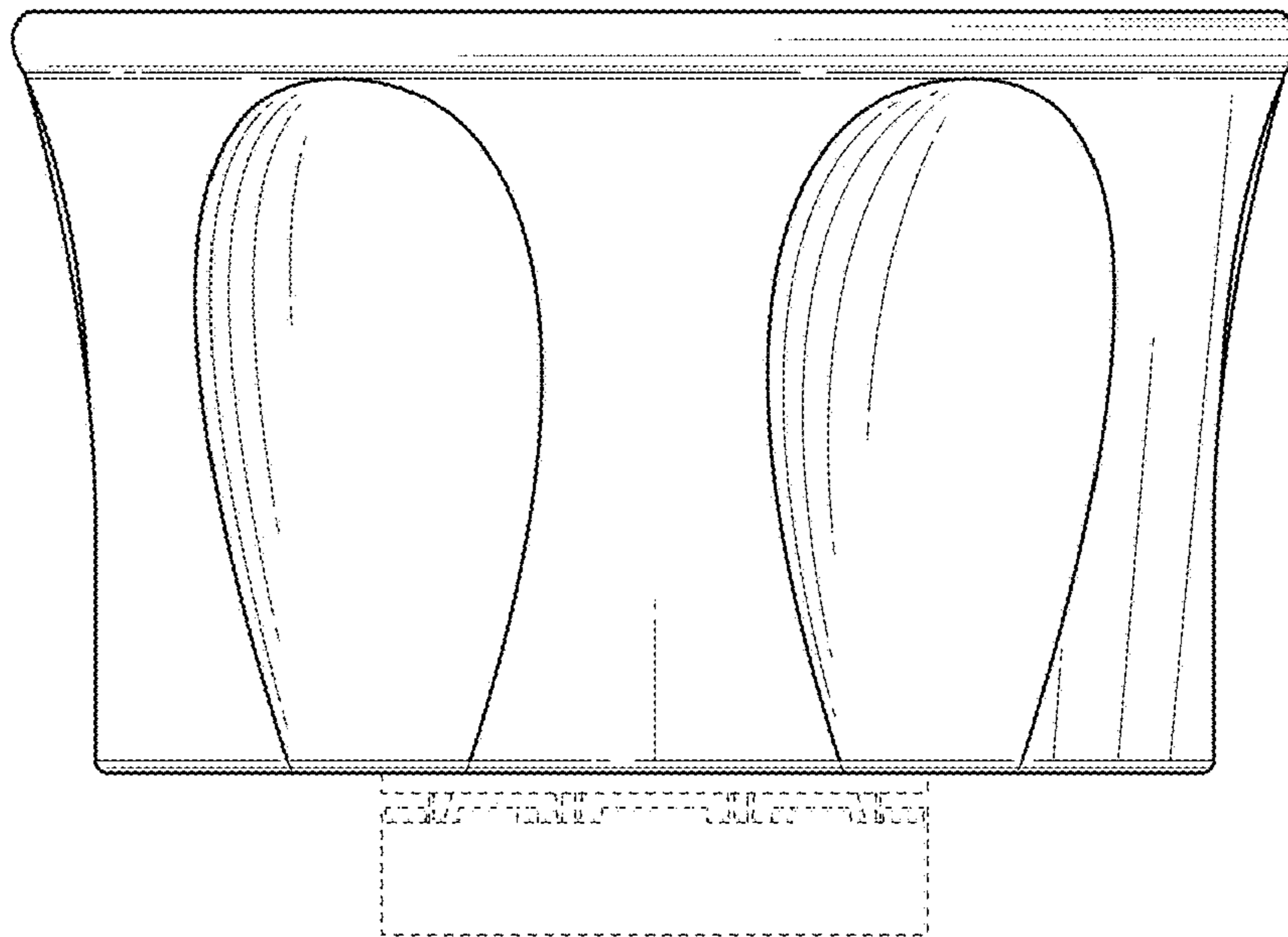


FIG. 6

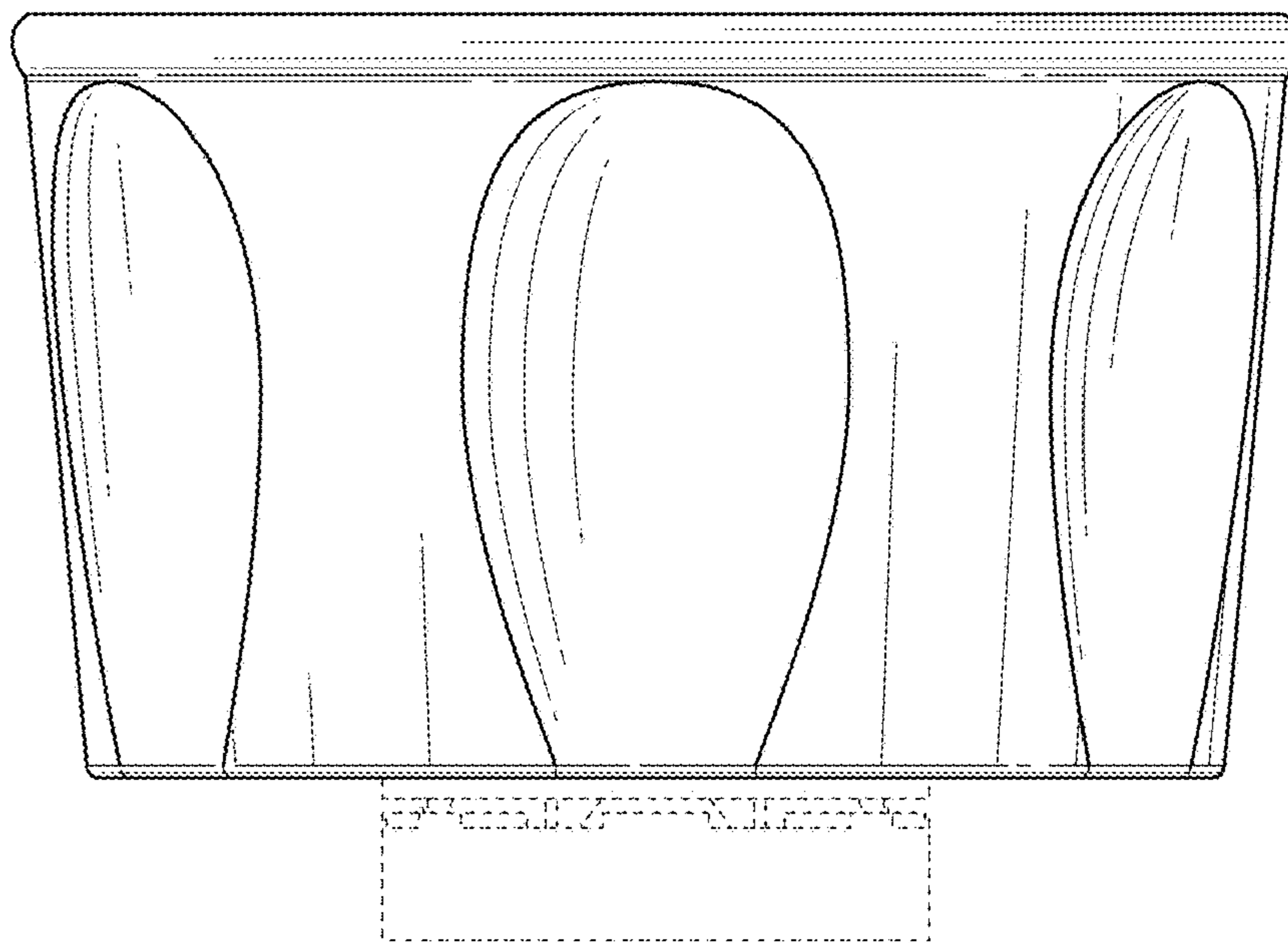


FIG. 7

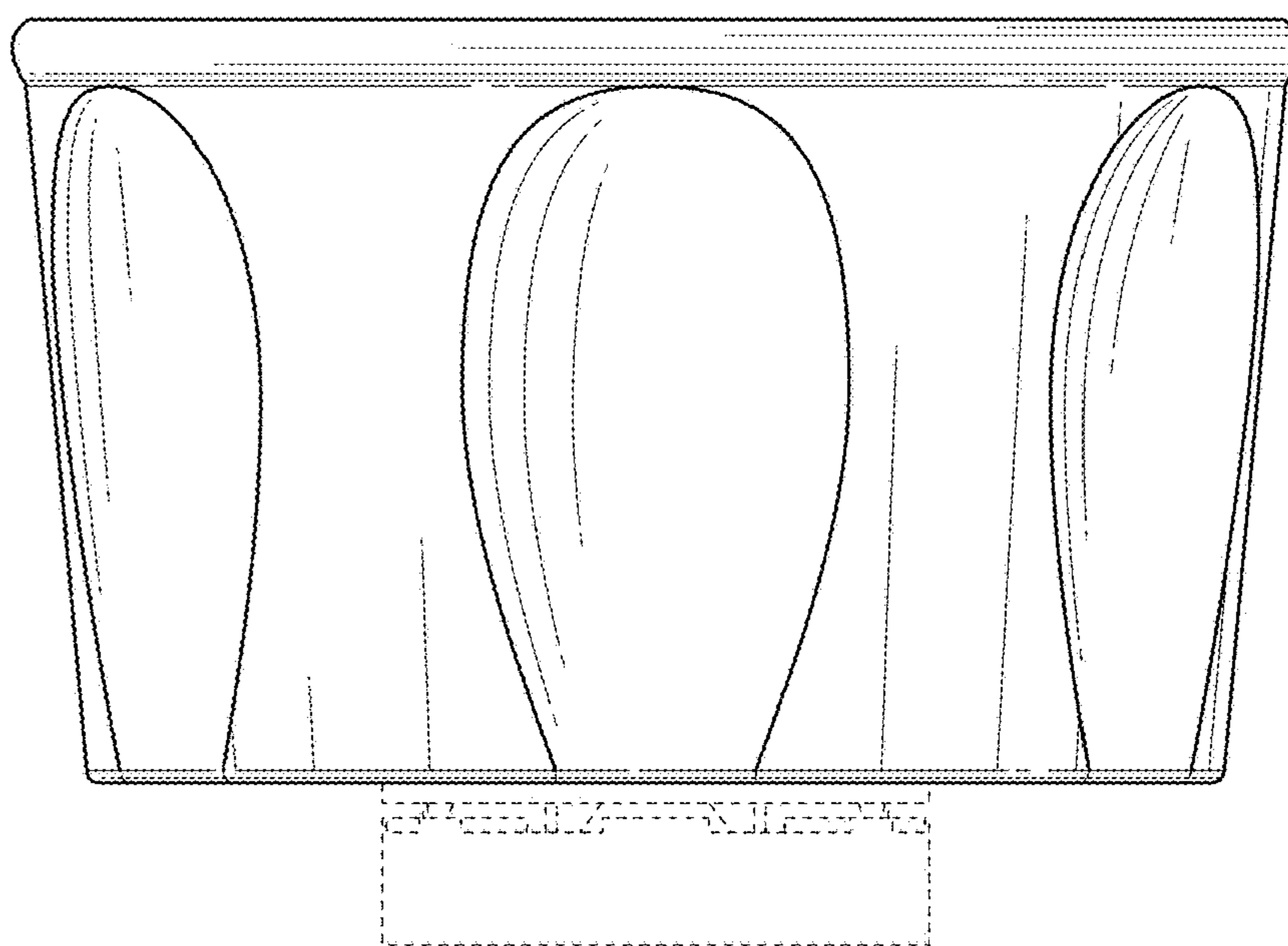


FIG. 8

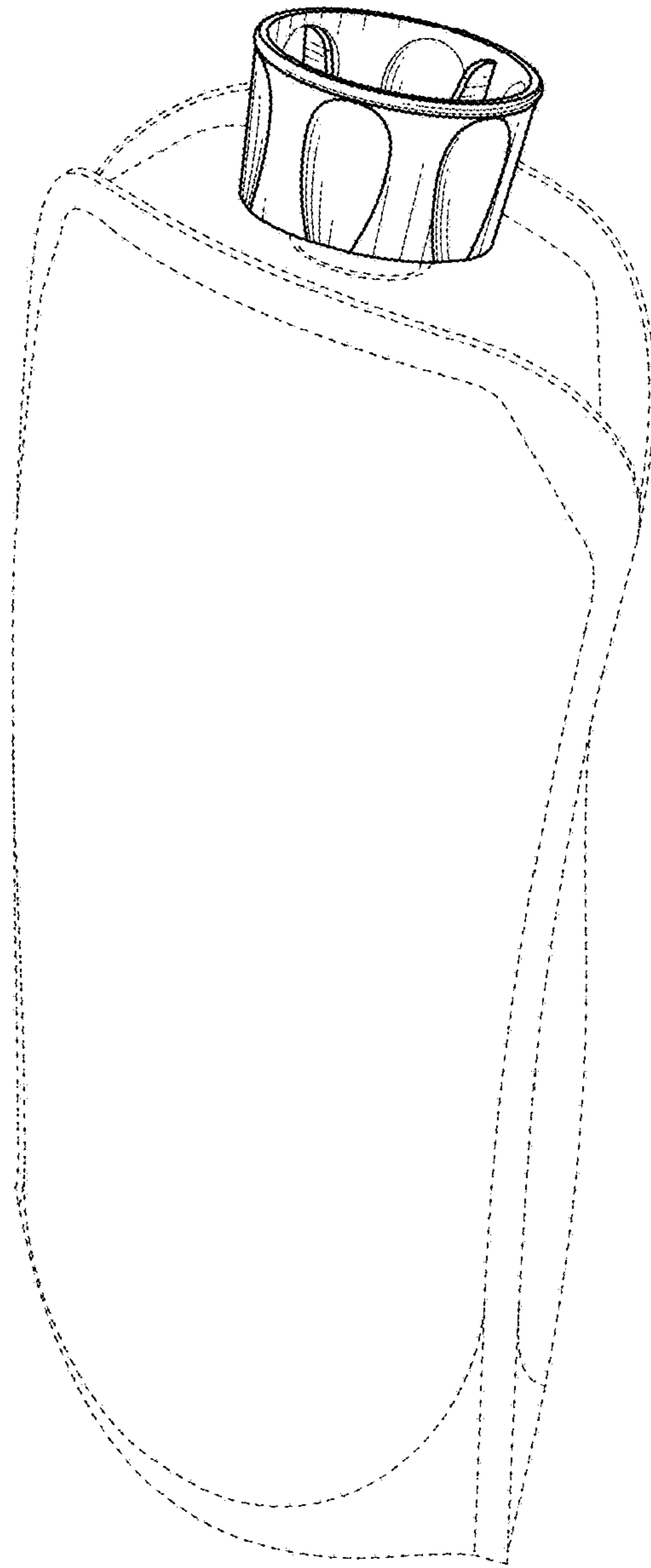


FIG. 9