



US00D843214S

(12) **United States Design Patent** (10) **Patent No.:** **US D843,214 S**
Oberly (45) **Date of Patent:** **** Mar. 19, 2019**

- (54) **DISPOSABLE CONTAINER-SHAPE-CONFORMING FUNNEL**
- (71) Applicant: **Chad M Oberly**, Wooster, OH (US)
- (72) Inventor: **Chad M Oberly**, Wooster, OH (US)
- (**) Term: **15 Years**
- (21) Appl. No.: **29/620,114**
- (22) Filed: **Jul. 8, 2016**
- (51) **LOC (11) Cl.** **09-07**
- (52) **U.S. Cl.**
USPC **D9/447**; D9/434
- (58) **Field of Classification Search**
USPC D7/300; D9/435, 440, 442, 447, 516,
D9/523, 530; D10/96, 101, 103;
D15/150-152; D24/107, 108, 129, 207,
D24/232
CPC B65D 1/02; B65D 23/08; B65D 41/04;
B65D 41/62; B67C 11/02
See application file for complete search history.

(56) **References Cited**

U.S. PATENT DOCUMENTS

| | | | | |
|-----------|-----|---------|--------------|---------|
| 584,275 | A | 6/1837 | Sevier | 141/343 |
| 34,004 | A | 12/1861 | Morrison | 141/343 |
| 60,806 | A | 1/1867 | Trent | 222/461 |
| 129,024 | A | 7/1872 | George | 141/343 |
| 398,390 | A | 2/1889 | Greely | 141/343 |
| 589,659 | A | 9/1897 | Krack | 141/343 |
| 733,486 | A | 7/1903 | Jack | 222/108 |
| 790,080 | A | 5/1905 | Seavy | 141/343 |
| 1,074,697 | A | 10/1913 | Cox | 222/461 |
| 2,238,253 | A | 4/1941 | Dick | 206/56 |
| 3,016,133 | A | 1/1962 | Jones | 206/47 |
| 3,915,360 | A | 10/1975 | Leger et al. | 222/538 |
| 5,101,870 | A | 4/1992 | Farris | 141/343 |
| D340,731 | S * | 10/1993 | Pollak | D15/150 |
| 5,305,910 | A | 4/1994 | Pollacco | 220/771 |

| | | | | |
|-----------|-----|---------|-----------------|---------|
| D389,498 | S * | 1/1998 | Larson | D15/150 |
| D395,603 | S * | 6/1998 | Harris | D9/447 |
| 6,070,753 | A | 6/2000 | Hirst et al. | 220/674 |
| D534,074 | S * | 12/2006 | Stillerud | D9/523 |
| 7,237,583 | B2 | 7/2007 | Salani et al. | 141/337 |
| 7,240,701 | B2 | 7/2007 | Salani et al. | 141/337 |
| D600,125 | S | 9/2009 | Tarnacki et al. | D9/523 |
| D621,266 | S * | 8/2010 | Smith | D9/516 |
| D628,896 | S * | 12/2010 | Smith | D9/516 |

(Continued)

OTHER PUBLICATIONS

Long-Term Road Test, posted on edmunds.com, posted Oct. 21, 2015, no production date given, [online], [site visited Feb. 5, 2018], Available from Internet, URL: <https://www.edmunds.com/ford/f-150/2015/long-term-road-test/2015-ford-f-150-easy-diy-oil-change-holds-a-minefield-of-potential-screw-ups>. (Year: 2015).*

(Continued)

Primary Examiner — Garth Rademaker
Assistant Examiner — Fritzgerald L Butac
(74) *Attorney, Agent, or Firm* — David A. Burge

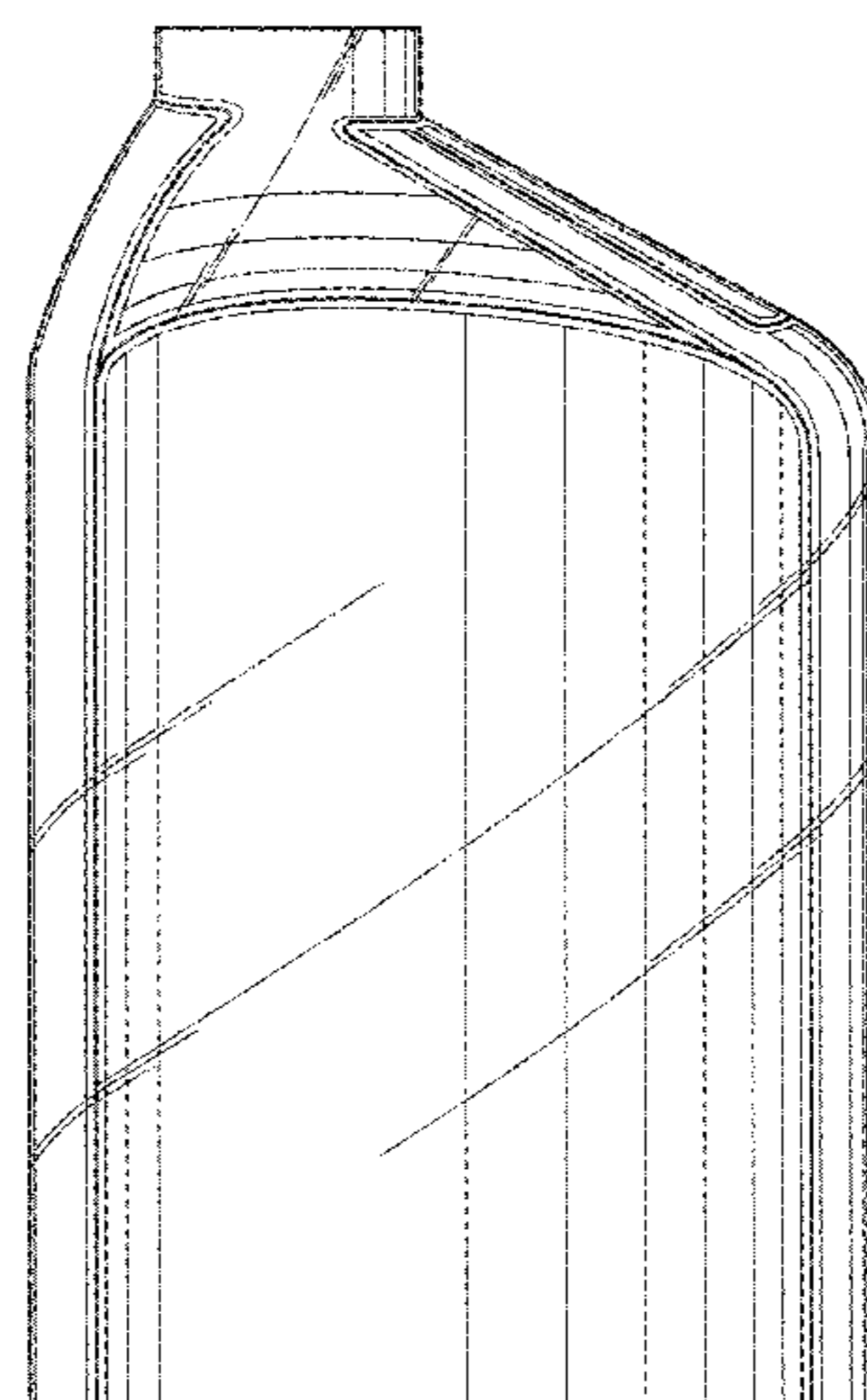
(57) **CLAIM**

I claim the ornamental design for a disposable, container-shape-conforming funnel, as shown and described.

DESCRIPTION

FIG. 1 is a front elevational view showing my new design formed from thin, substantially transparent material of substantially uniform thickness;
FIG. 2 is a top view thereof;
FIG. 3 is a bottom view thereof;
FIG. 4 is a right side view thereof; and,
FIG. 5 is a left side view thereof.
The evenly-spaced broken lines show portions of the disposable container-shaped-conforming funnel that form no part of the claimed design.

1 Claim, 2 Drawing Sheets



(56)

References Cited

U.S. PATENT DOCUMENTS

D650,285 S * 12/2011 Smith D9/516
 8,118,198 B1 2/2012 Watson 222/462
 D693,691 S * 11/2013 Nachtsheim D9/523
 D703,010 S * 4/2014 Meyer D7/700
 D708,919 S * 7/2014 Lin D7/700
 D722,269 S * 2/2015 Hughes D9/516
 D732,962 S * 6/2015 Hawry D9/523
 9,243,750 B2 1/2016 Tarnacki et al.
 D762,255 S * 7/2016 Levy D15/150
 D782,909 S * 4/2017 Jost D9/520
 D784,817 S * 4/2017 Heisner D9/523
 D786,077 S * 5/2017 Chung D23/211
 D796,257 S * 9/2017 Levy D7/300
 D802,433 S * 11/2017 Ozamiz D9/560
 D807,183 S * 1/2018 Ferrone D9/523
 D807,752 S * 1/2018 Koelsche D9/523
 2003/0230595 A1 12/2003 Piechocki et al. 222/92
 2003/0231808 A1 12/2003 Machacek et al. 383/36

2005/0279762 A1 12/2005 Bodum 222/109
 2006/0191983 A1 8/2006 Cargile, Jr. 229/103
 2014/0367281 A1* 12/2014 Colvin B65D 65/04
 206/204
 2015/0272358 A1 10/2015 Humphreys 220/254.1
 2017/0361989 A1* 12/2017 Moffett, III B65D 25/205
 2018/0002093 A1* 1/2018 Kutsuzawa B65D 79/005
 2018/0009569 A1* 1/2018 Oberly B65D 23/0885

OTHER PUBLICATIONS

QuickFill Funnel, posted on walmart.com, earliest reviewed Dec. 9, 2015, no production date given, [online], [site visited Feb. 5, 2018], Available from Internet, URL: <https://www.walmart.com/ip/Hopkins-10705-FloTool-Giant-QuickFill-Funnel/17127130> (Year: 2015).*
 Disposable Oil Funnel, posted on amazon.com, first available Jun. 26, 2011, no production date given, [online], [site visited Feb. 5, 2018], Available from Internet, URL: <https://www.amazon.com/Disposable-Oil-Funnel-10-Pack/dp/B00589GZOI> (Year: 2011).*

* cited by examiner

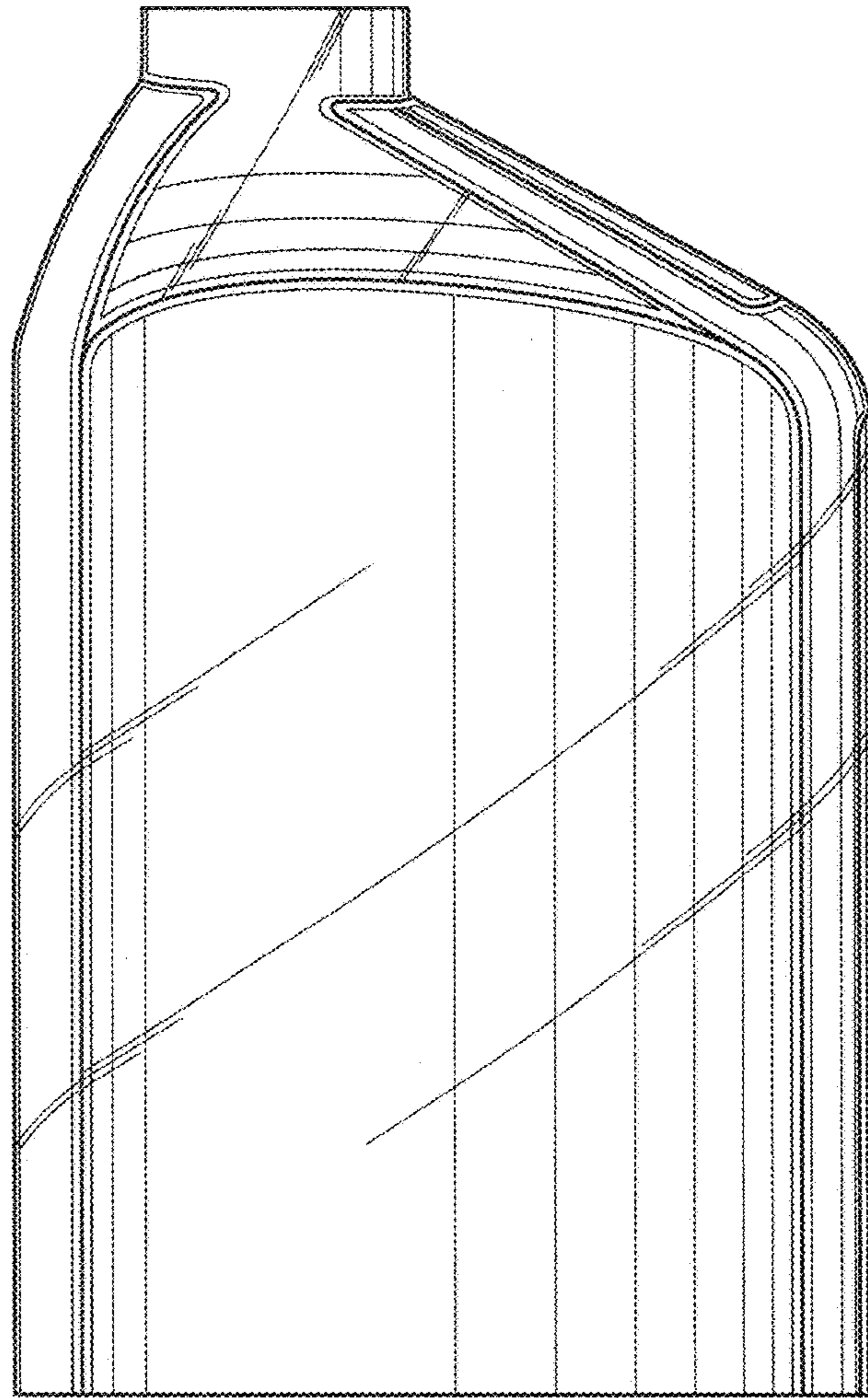


FIG. 1

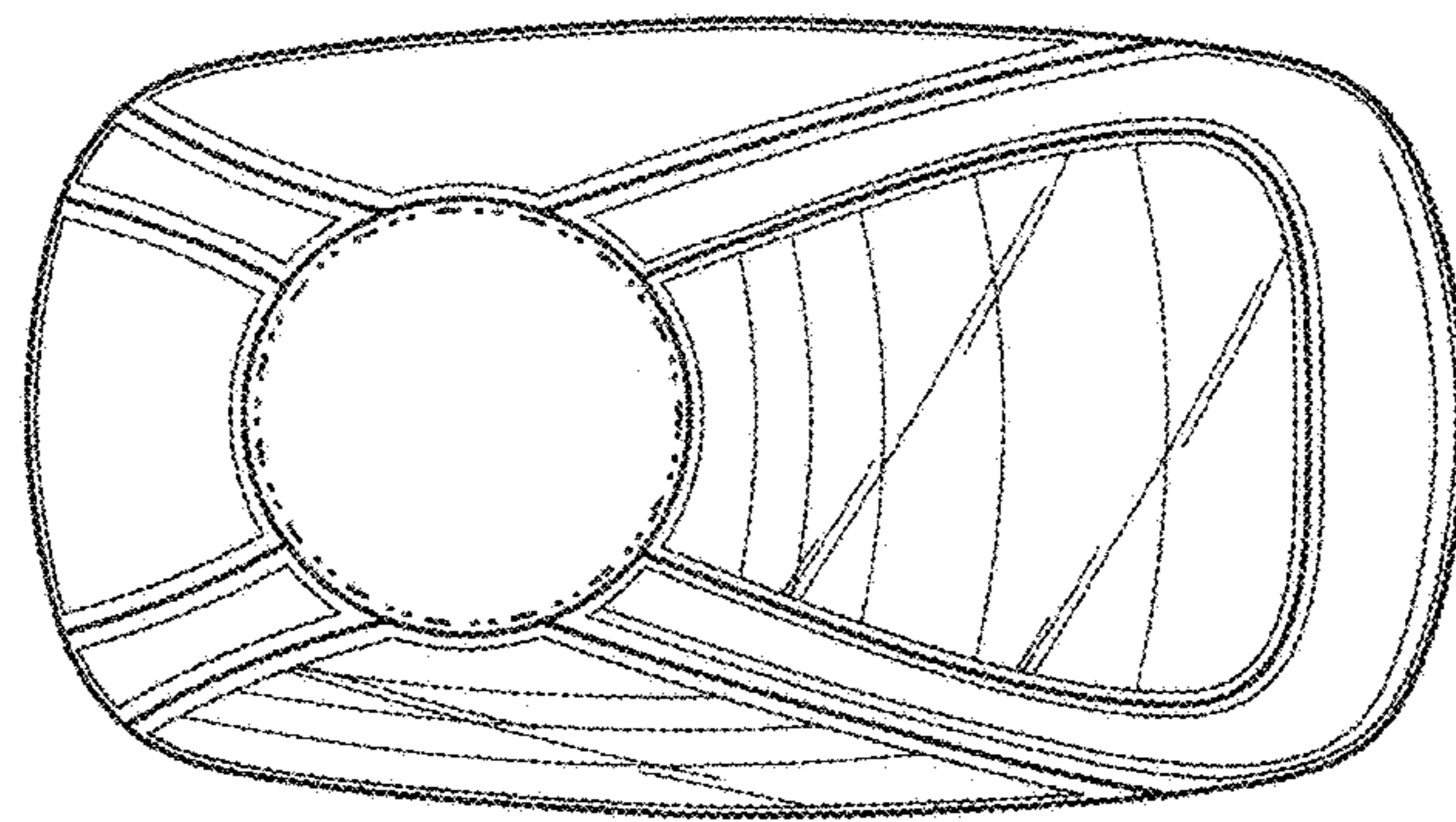


FIG. 2

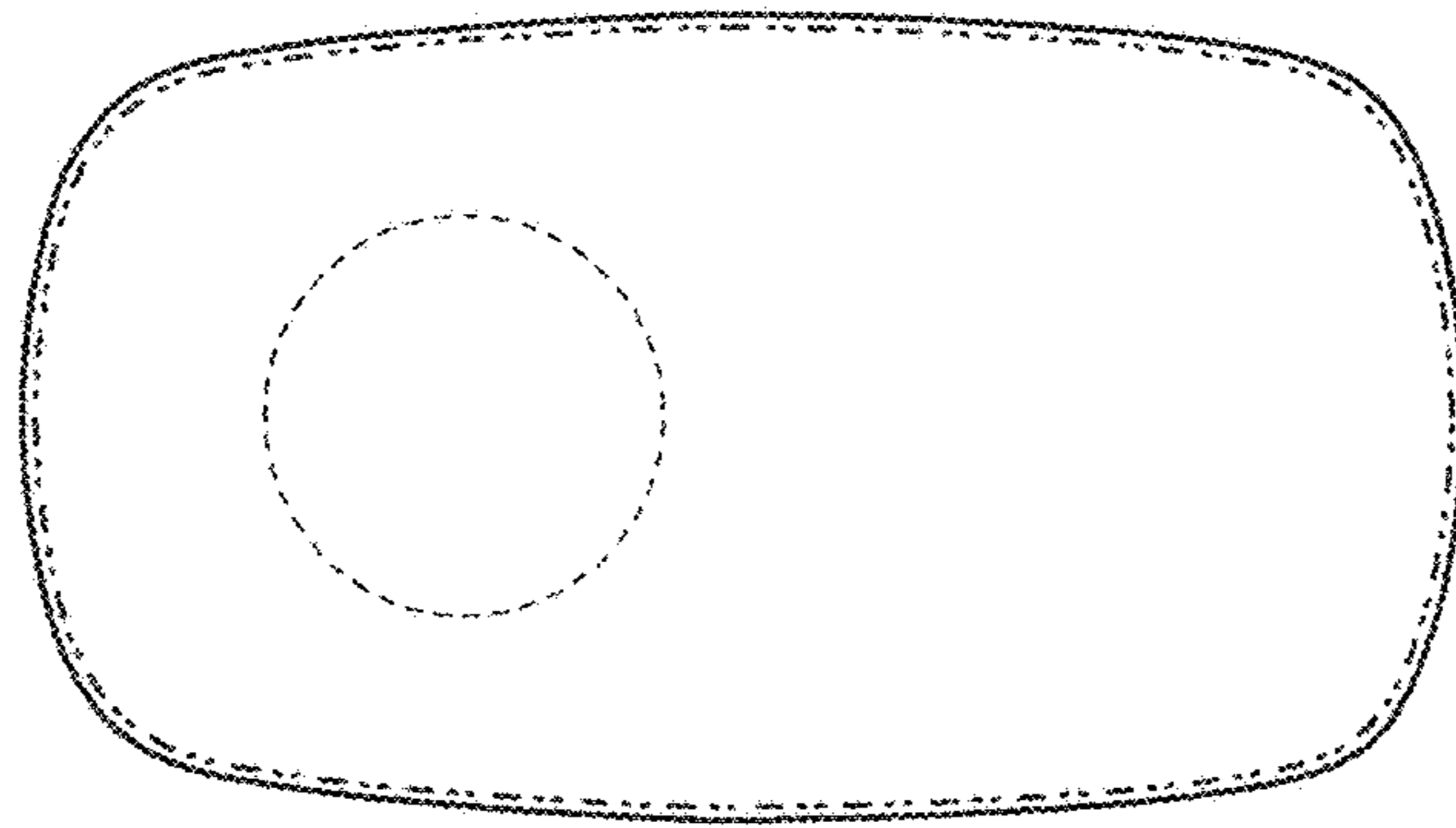


FIG. 3

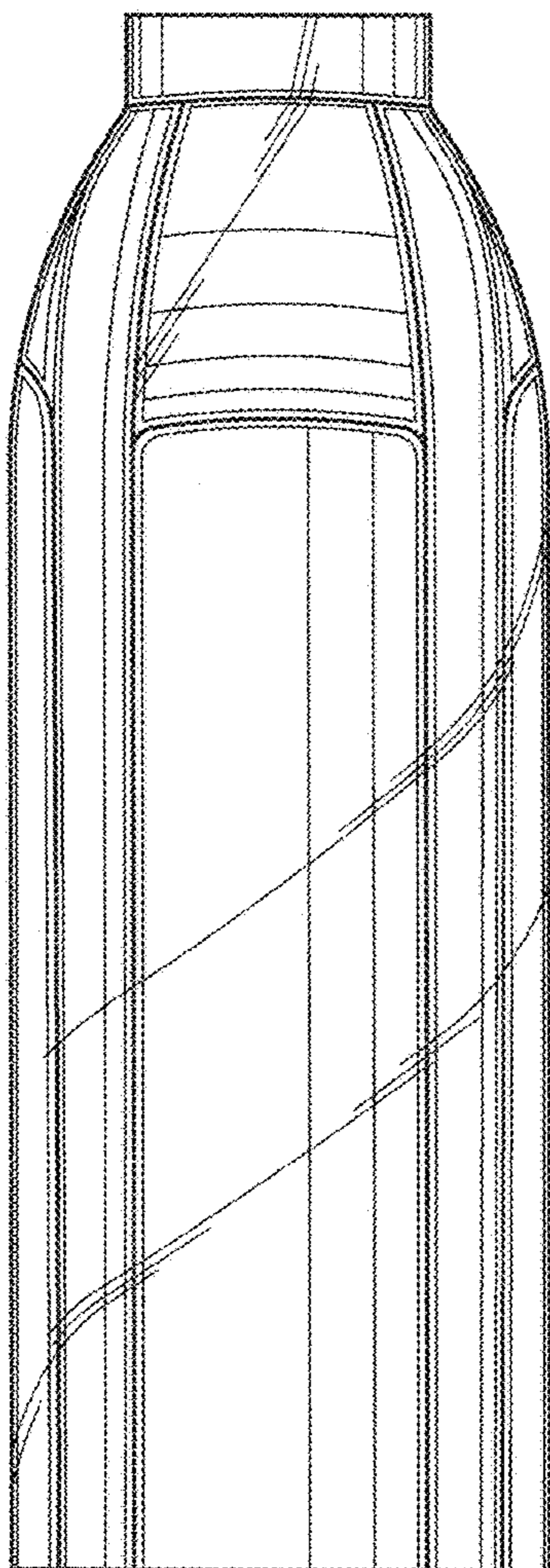


FIG. 4

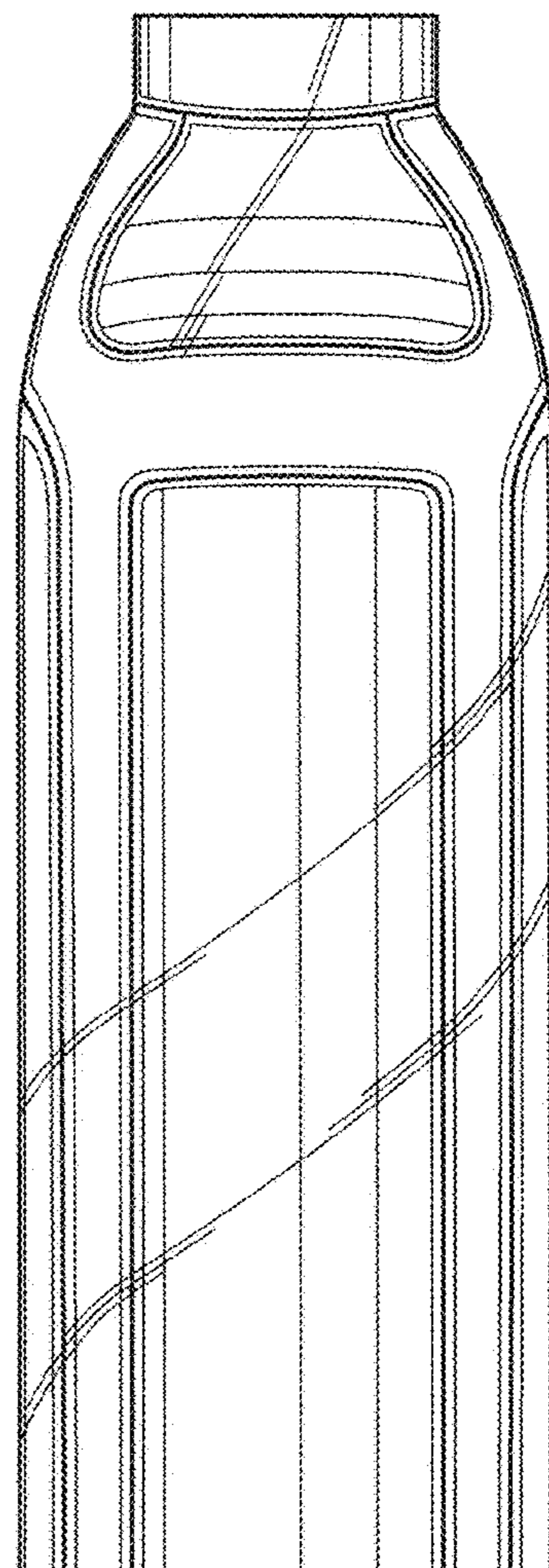


FIG. 5