



US00D843213S

(12) **United States Design Patent** (10) **Patent No.:** **US D843,213 S**
Wettlaufer et al. (45) **Date of Patent:** **** Mar. 19, 2019**

(54) **CLOSURE FOR CONTAINERS**
(71) Applicant: **PCO GROUP GMBH**, Dassow (DE)
(72) Inventors: **Bernhard Wettlaufer**,
Garmisch-Partenkirchen (DE); **Rafal**
Marian Wisniewski, Koszalin (PL)
(73) Assignee: **PCO GROUP GMBH**, Dassow (DE)
(**) Term: **15 Years**
(21) Appl. No.: **35/501,255**
(22) Filed: **Jun. 3, 2016**
(80) **Hague Agreement Data**
Int. Filing Date: **Jun. 3, 2016**
Int. Reg. No.: **DM/091527**
Int. Reg. Date: **Jun. 3, 2016**
Int. Reg. Pub. Date: **Jul. 22, 2016**

(51) **LOC (11) Cl.** **09-07**
(52) **U.S. Cl.**
USPC **D9/443**
(58) **Field of Classification Search**
USPC D9/434, 435, 447, 443, 499, 907, 905;
215/381-385; 220/660, 669, 675;
D28/7, 57, 59
CPC ... B65D 1/00; B65D 1/02; B65D 1/12; B65D
1/14; B65D 1/40; B65D 1/44; B65D
1/023; B65D 1/0223; B65D 1/165; B65D
1/238; B65D 1/246; B65D 1/253; B65D
7/04; B65D 21/0209; B65D 21/0233;
B65D 25/00; B65D 25/28; B65D
41/0457; B65D 41/17; B65D 53/06;
B65D 75/56; B65D 79/005; B65D
2501/0036; B65D 2543/00064; B65D
2543/00074; B65D 2543/00083; B65D
2543/00092; B65D 2543/00101; B65D
2543/00111

See application file for complete search history.

(56) **References Cited**
U.S. PATENT DOCUMENTS
D242,132 S * 11/1976 Hasegawa D9/447
D317,411 S * 6/1991 Holmes D9/435
D317,722 S * 6/1991 Todd D9/435
D345,081 S * 3/1994 Adami D7/391
D511,457 S * 11/2005 Biesecker D9/443
D518,373 S * 4/2006 Schulthess D9/434
D527,633 S * 9/2006 Stull D9/454
D690,987 S * 10/2013 Gallen D7/392.1
D711,745 S * 8/2014 Humm D9/449
D712,260 S * 9/2014 Humm D9/449
D720,218 S * 12/2014 Hutson D9/443
D791,771 S * 7/2017 Akana D14/432
2006/0266751 A1 * 11/2006 Ali B65D 17/163
220/367.1

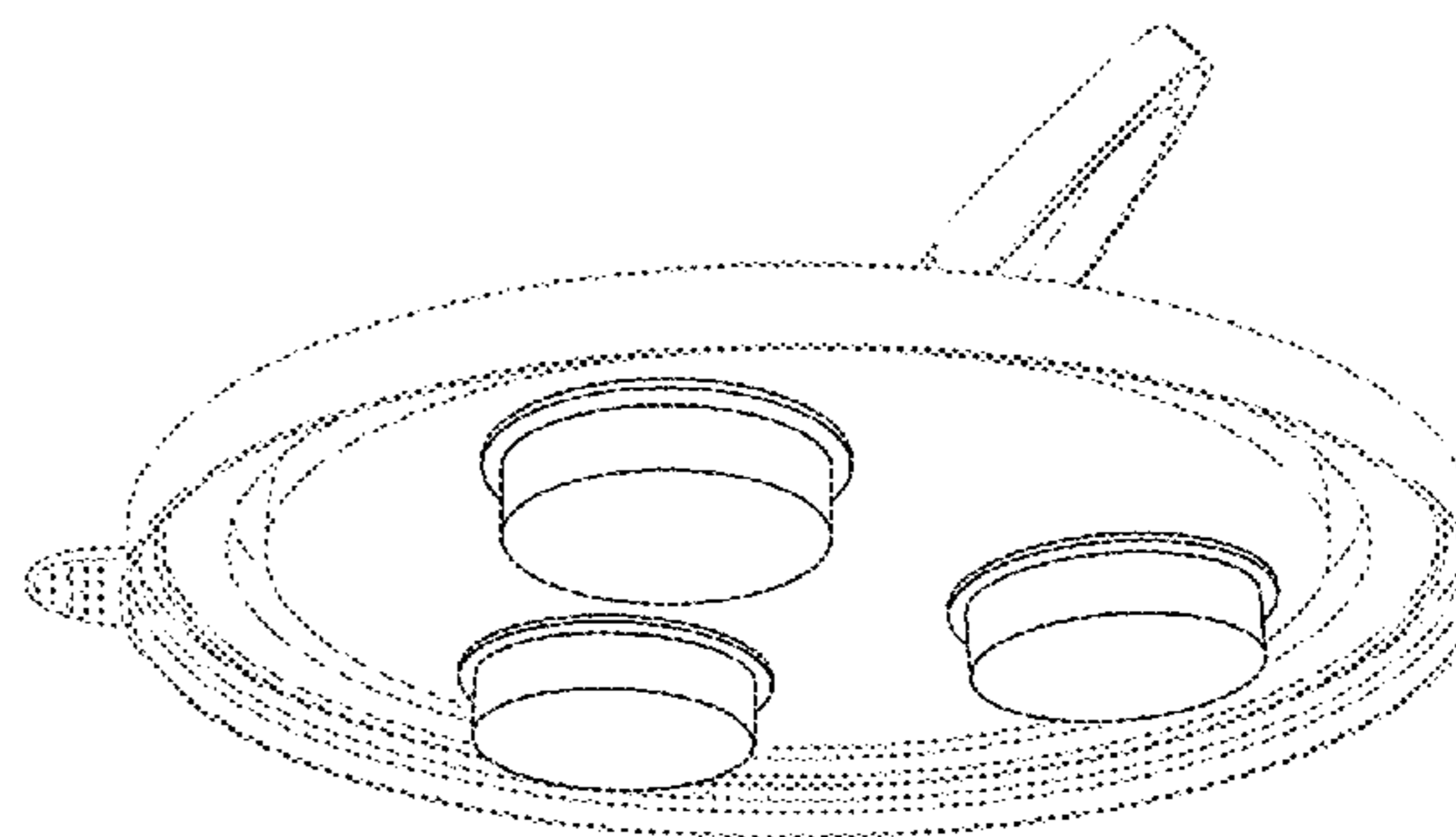
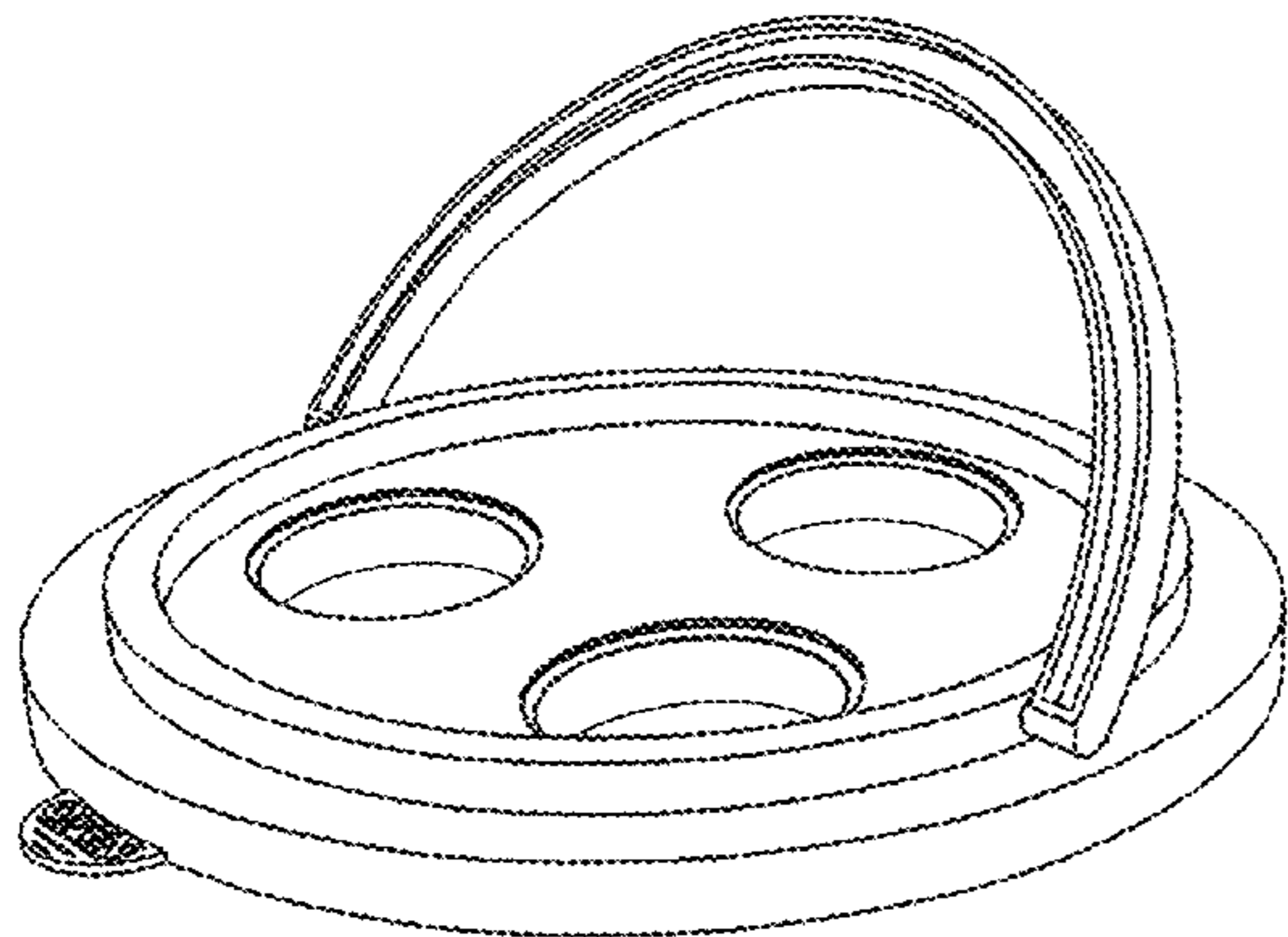
* cited by examiner
Primary Examiner — Keli L Hill
(74) *Attorney, Agent, or Firm* — Lempia Summerfield
Katz LLC

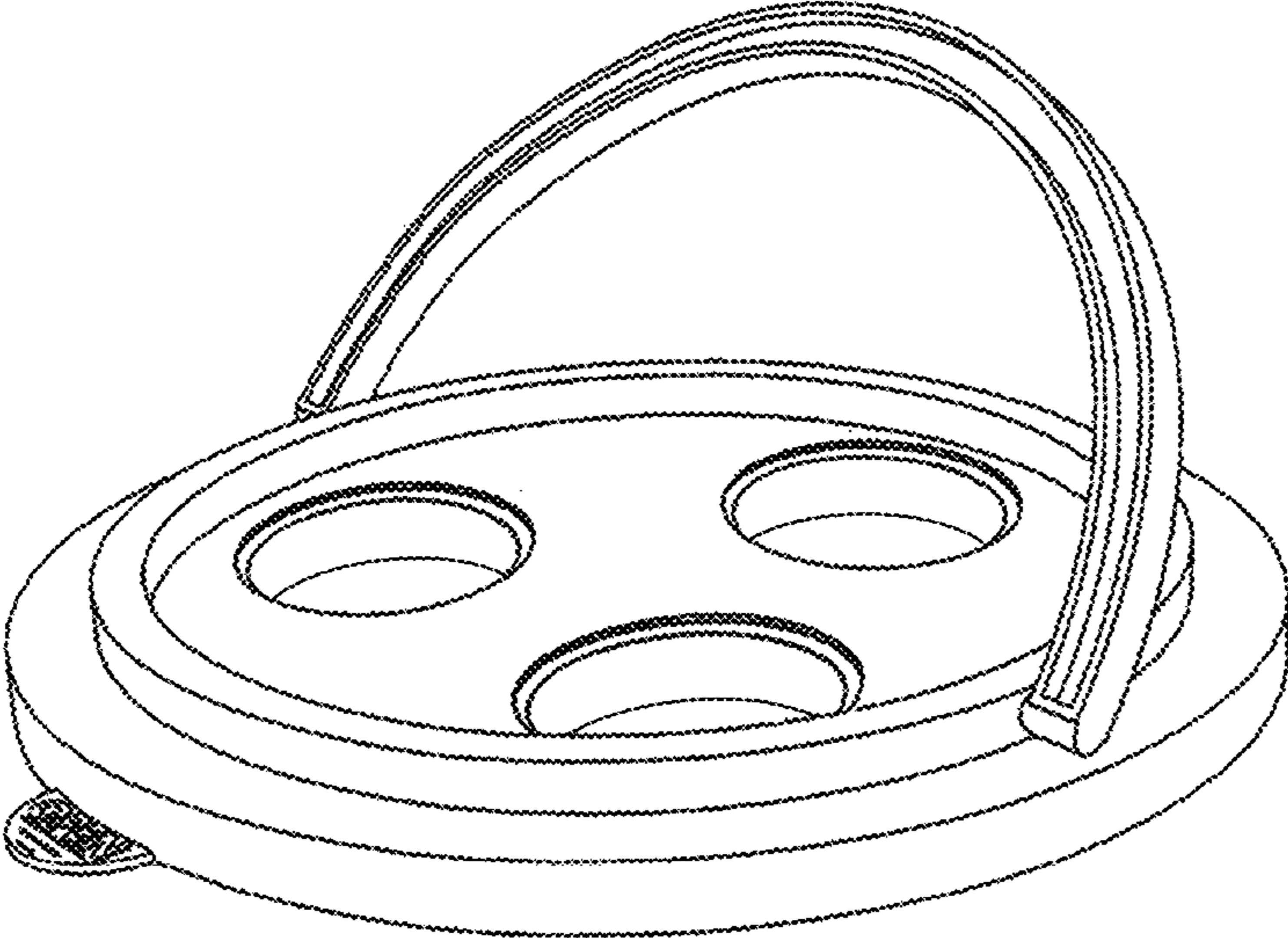
(57) **CLAIM**
The ornamental design for a closure for containers, as shown
and described.

DESCRIPTION

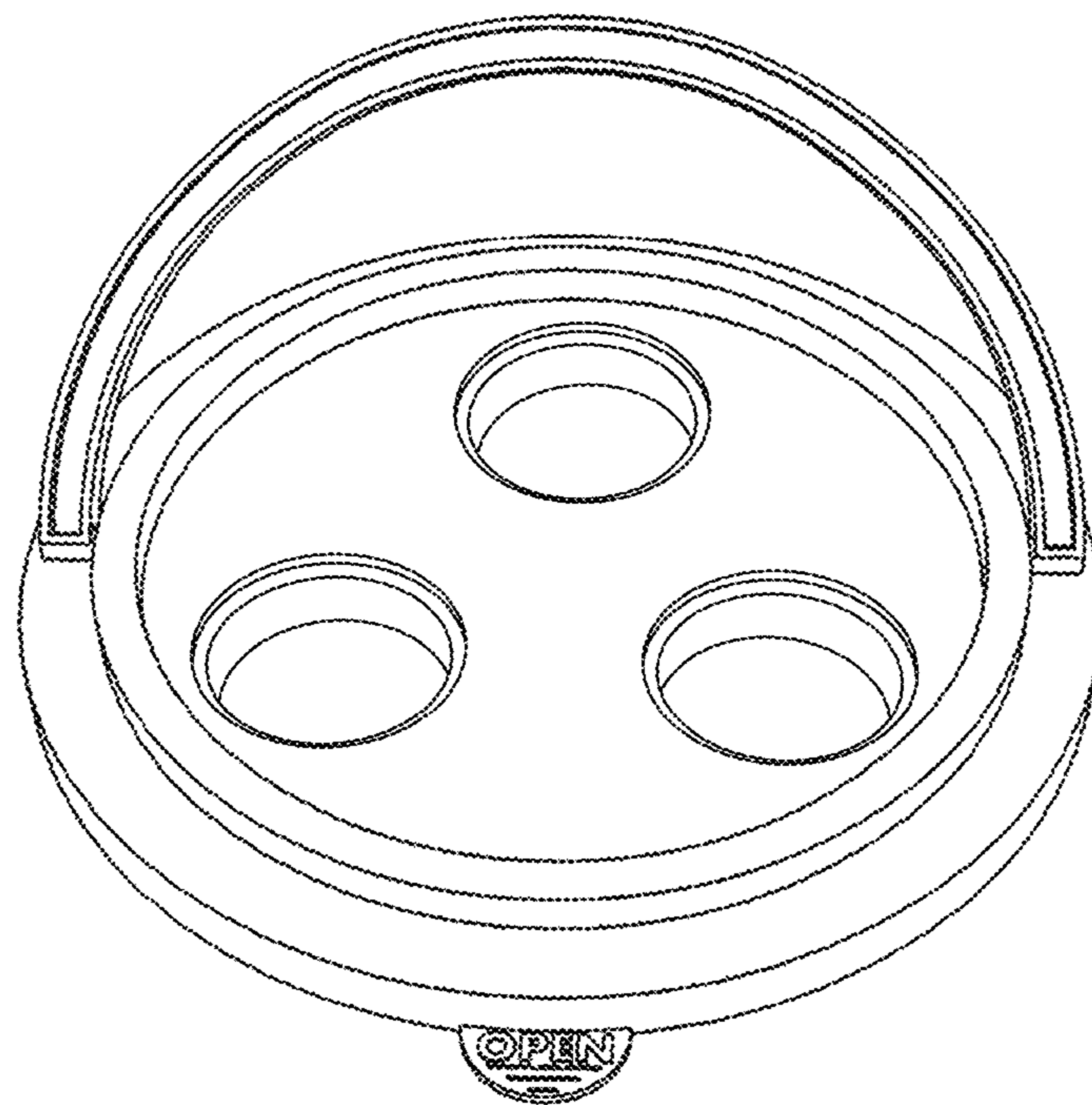
1. Closures for containers
1.1 : Perspective
1.2 : Perspective
1.3 : Perspective
1.4 : Top
1.5 : Bottom
1.6 : Front
1.7 : Back
1.8 : Left
1.9 : Right
1.10 : Perspective
The broken line showing of a container in Reproduction **1.10**
is included for the purpose of illustrating environment of the
article and forms no part of the claimed design.

1 Claim, 10 Drawing Sheets

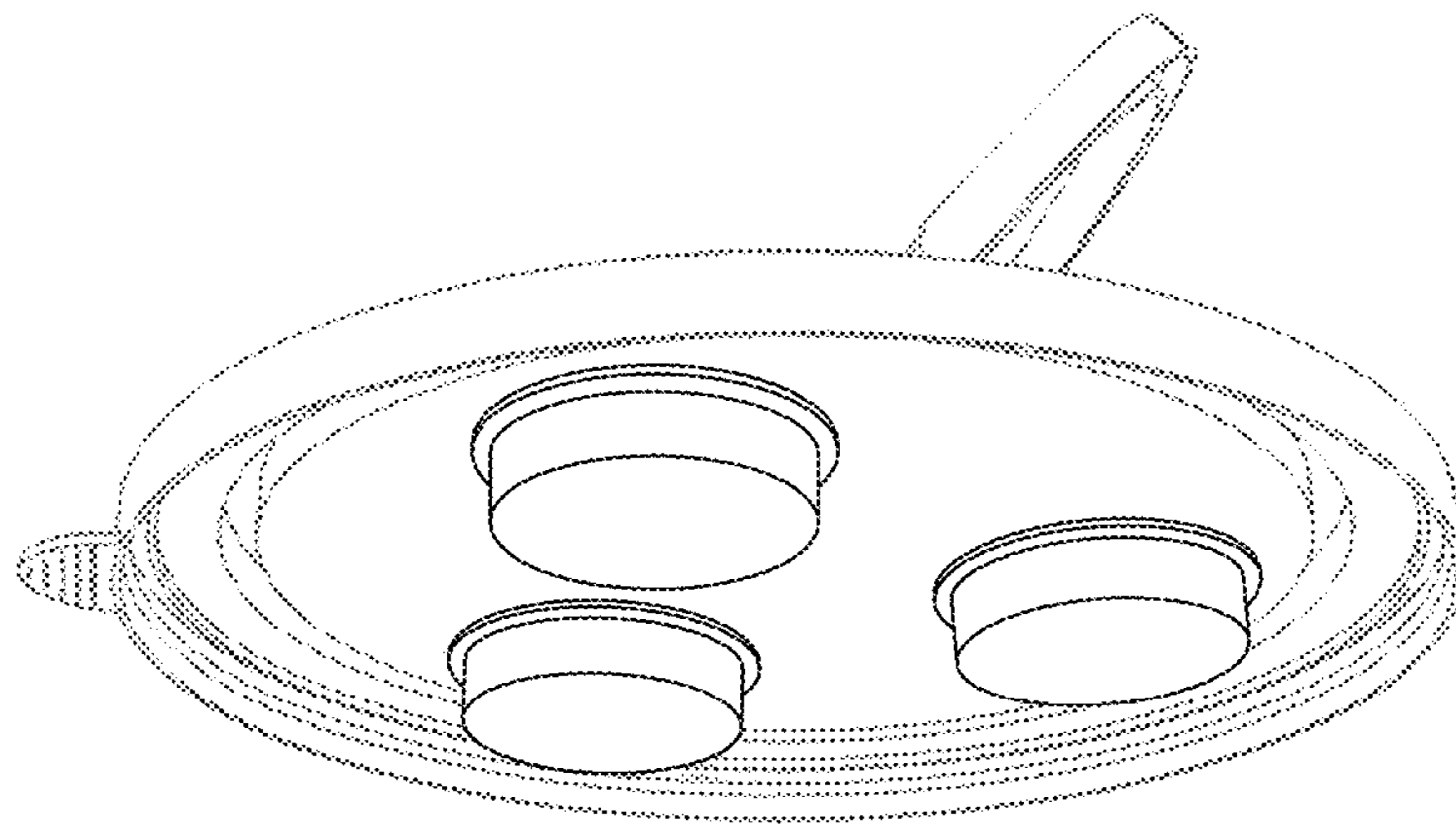


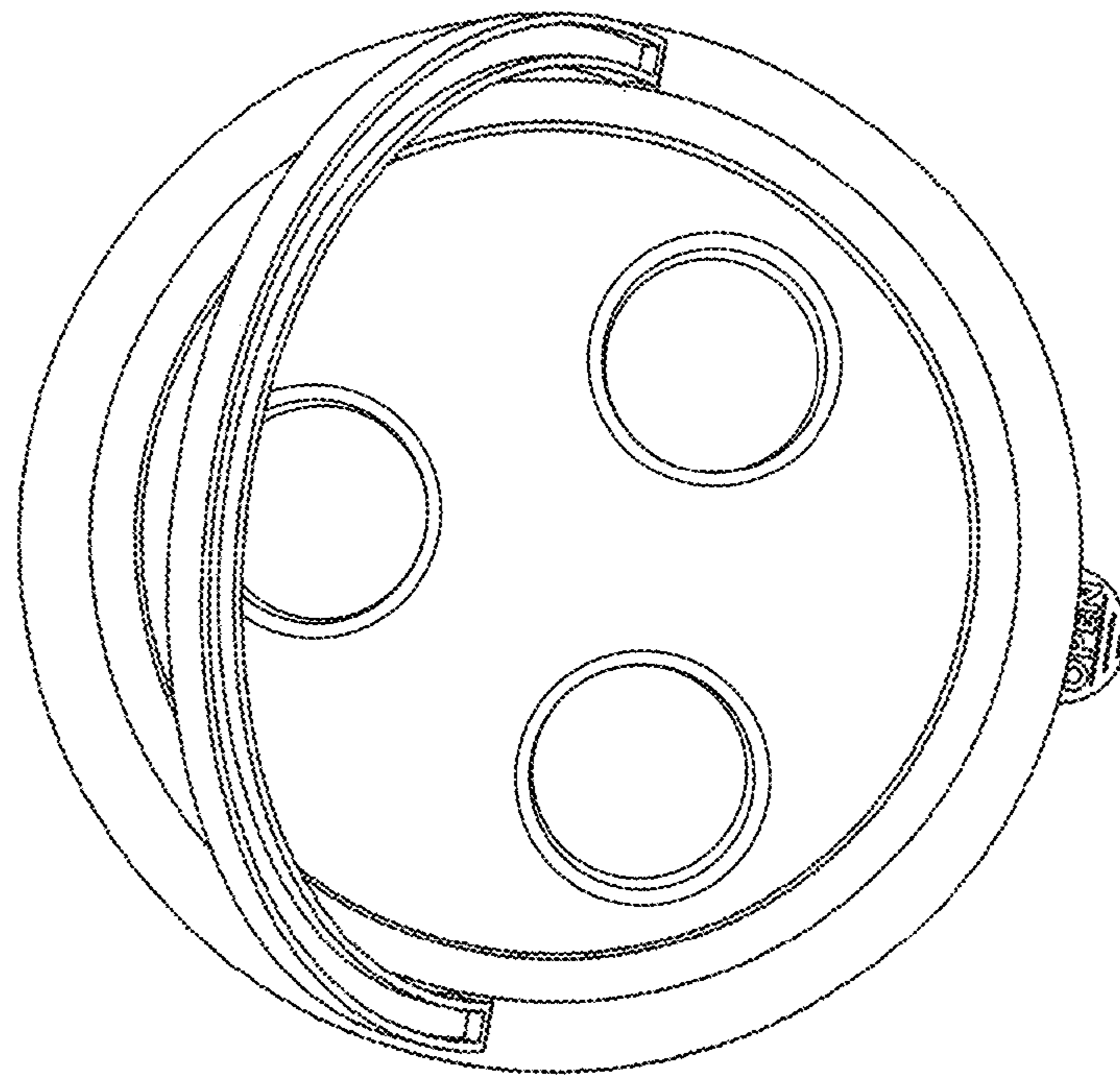


1.1

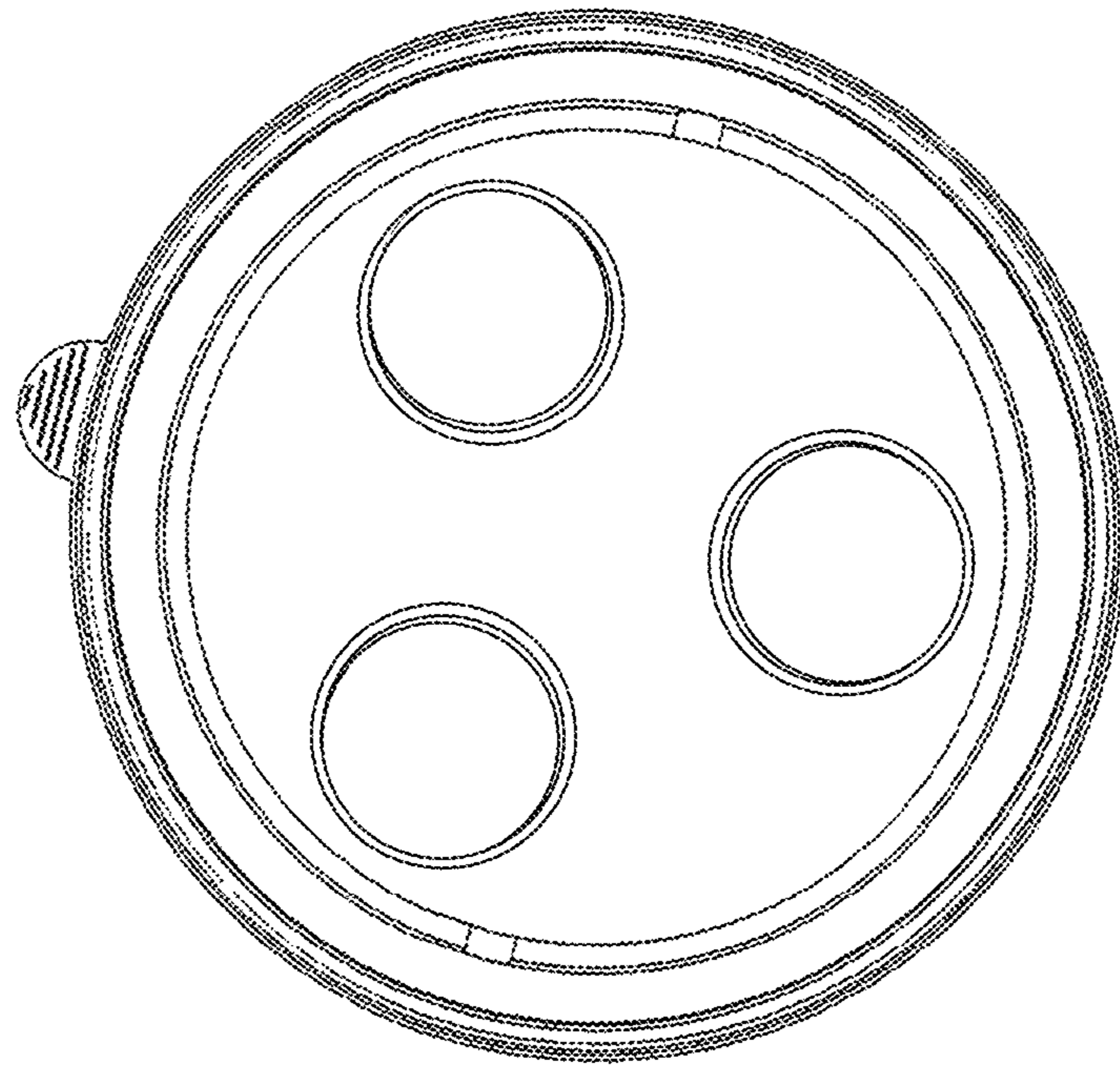


1.2

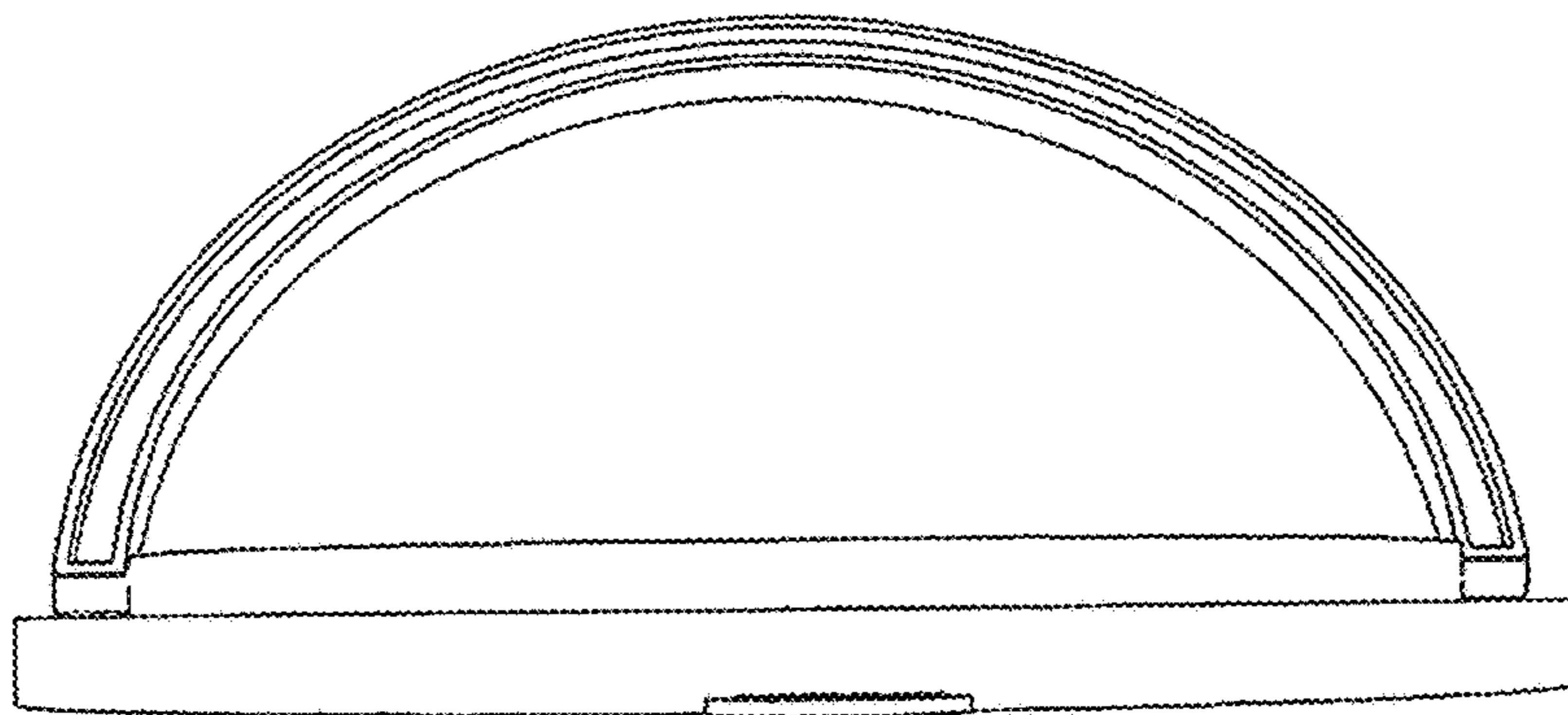




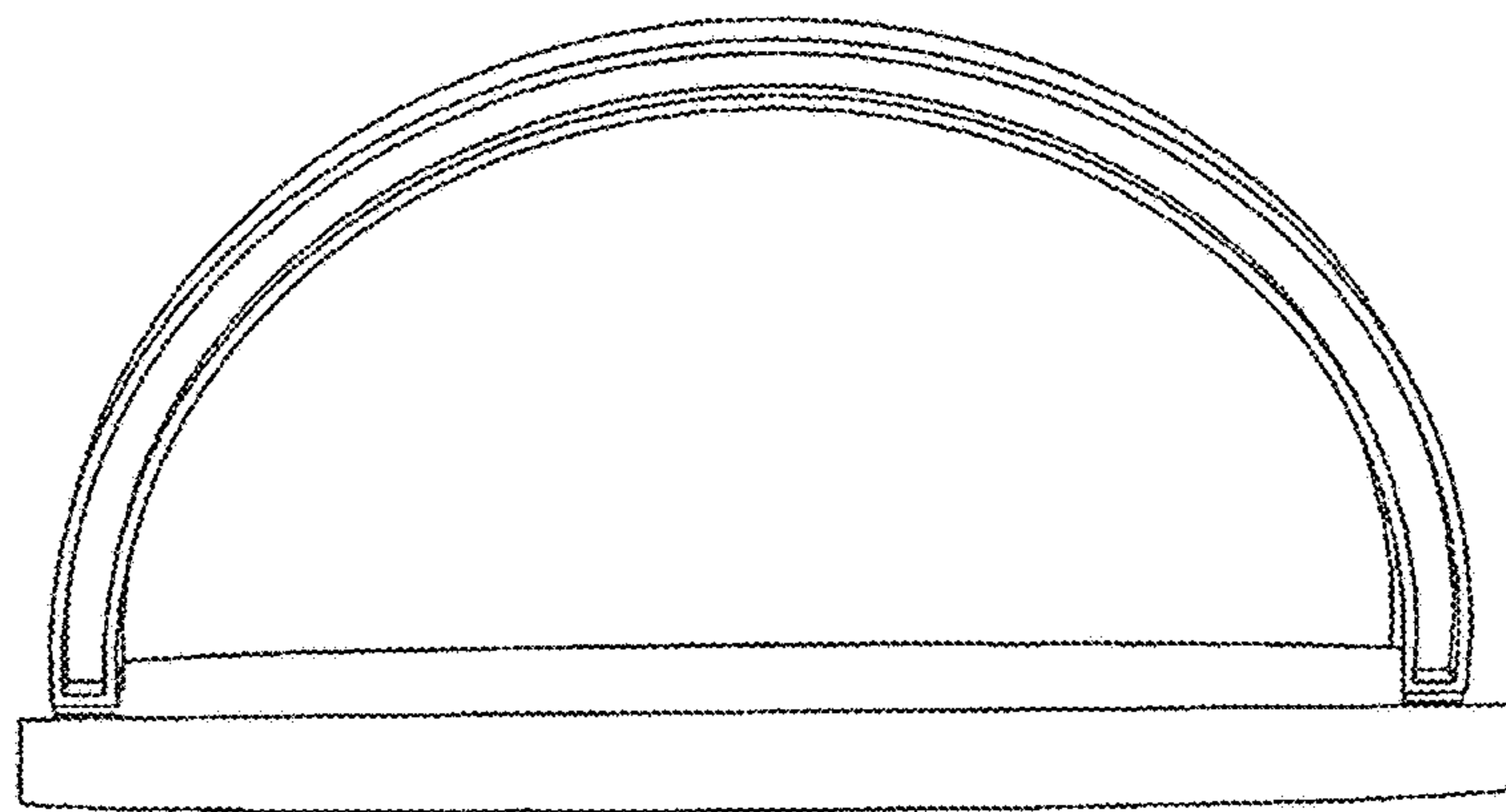
1.4



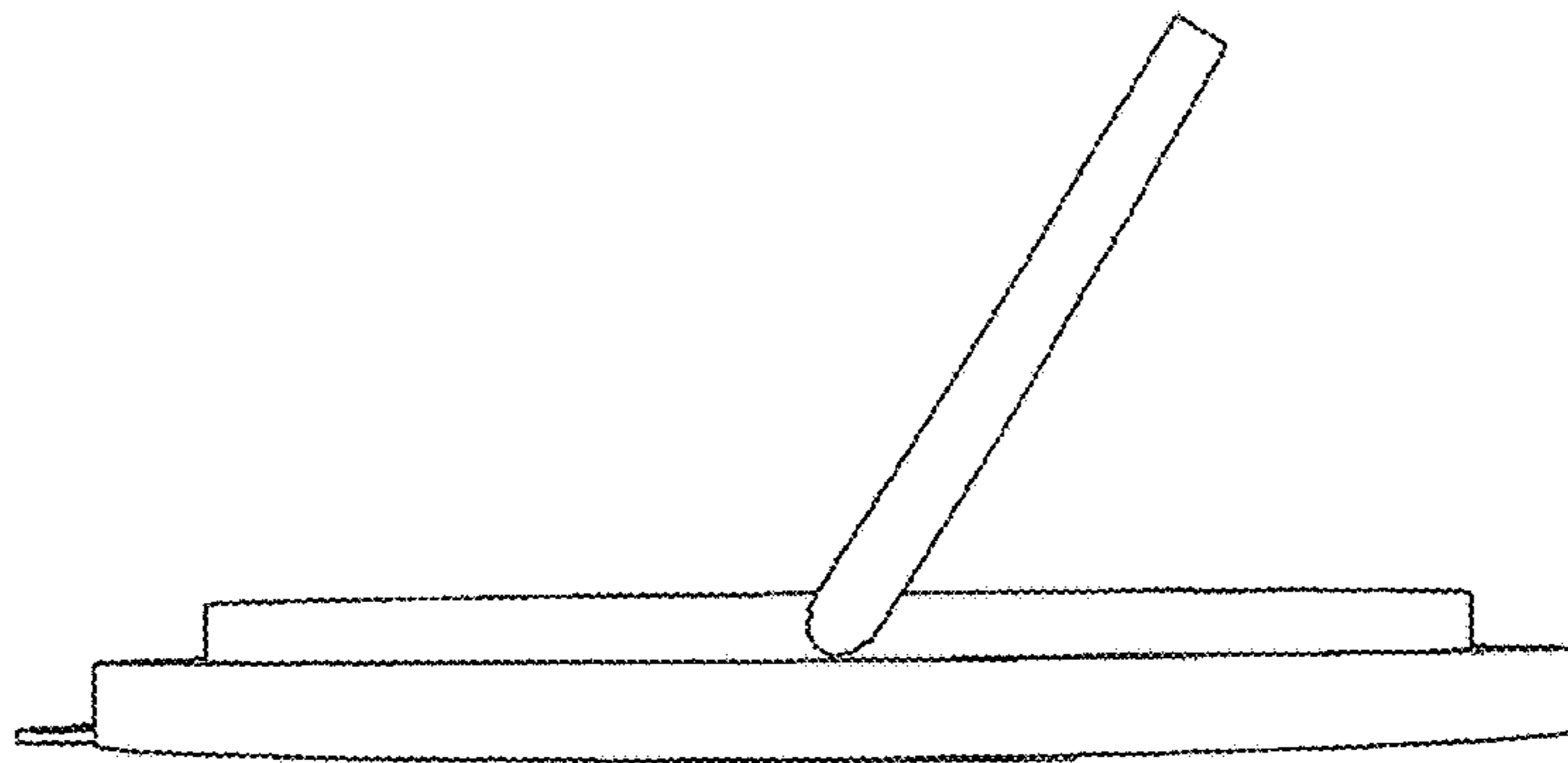
1.5



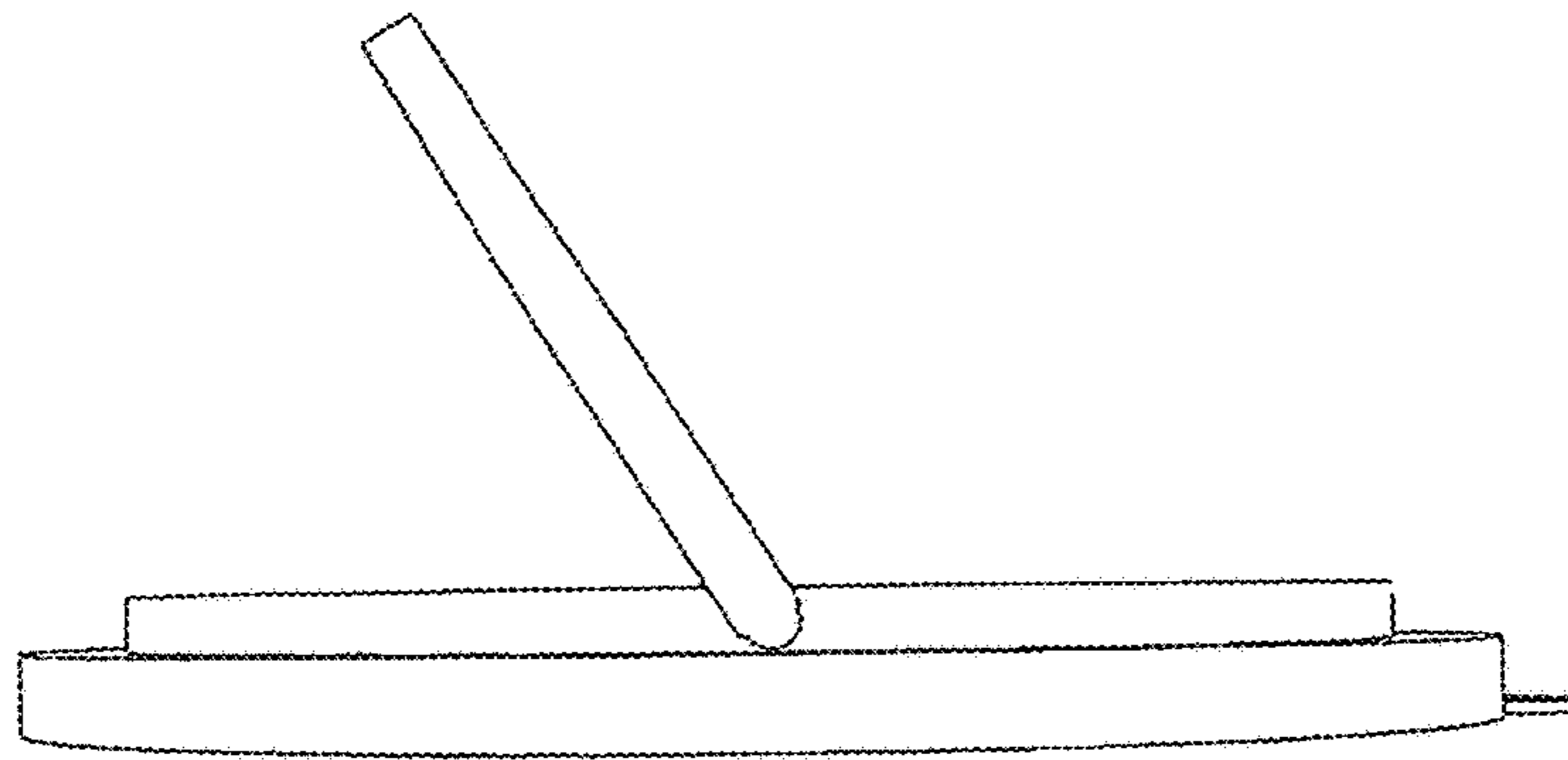
1.6



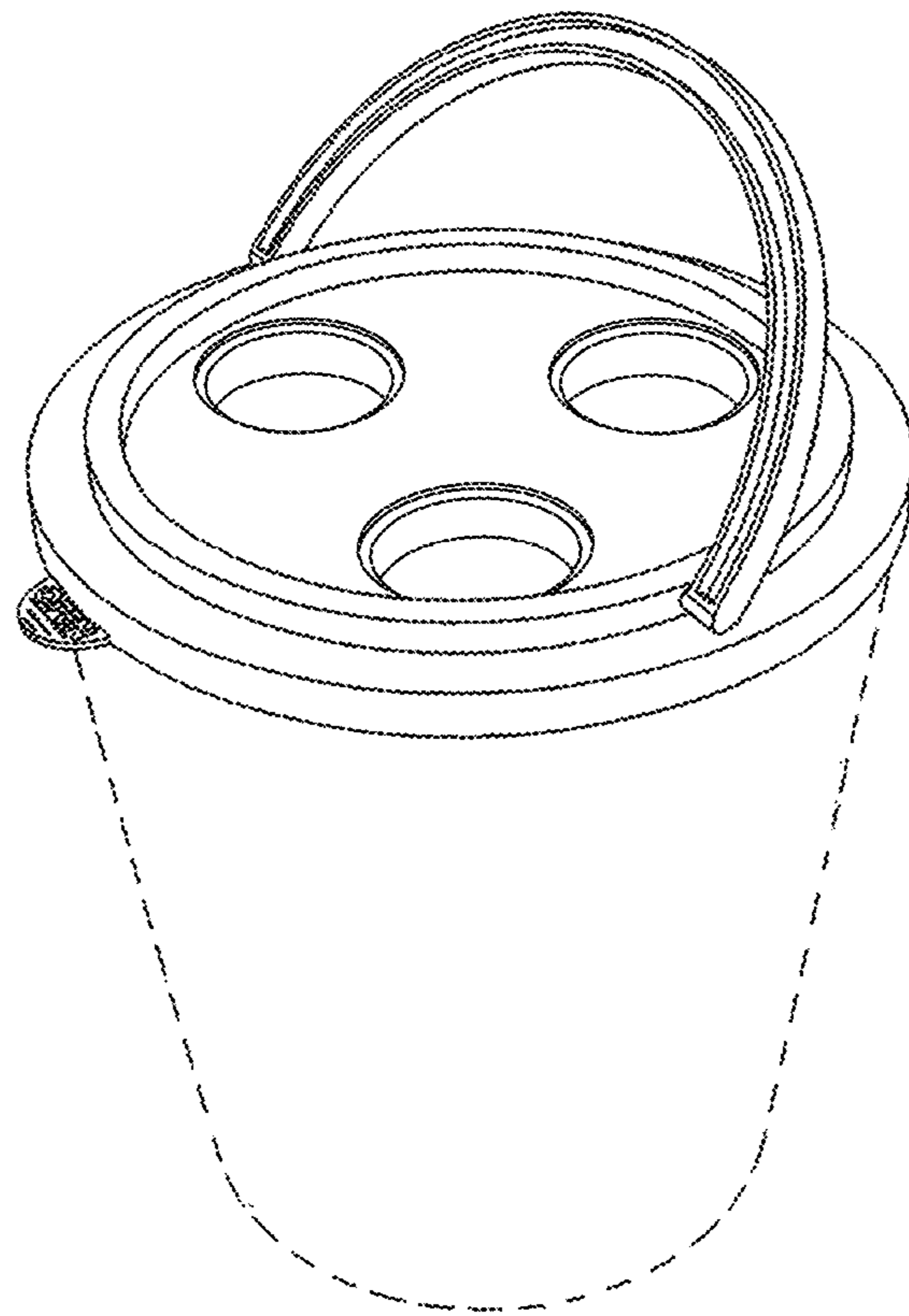
1.7



1.8



1.9



1.10