



US00D843212S

(12) **United States Design Patent** (10) **Patent No.:** **US D843,212 S**
Seiders et al. (45) **Date of Patent:** **** Mar. 19, 2019**

(54) **LID**

(71) Applicant: **YETI Coolers, LLC**, Austin, TX (US)

(72) Inventors: **Roy Joseph Seiders**, Austin, TX (US);
Matthew Joseph Petrillo, Austin, TX (US);
Steve Charles Nichols, Austin, TX (US)

(73) Assignee: **YETI Coolers, LLC**, Austin, TX (US)

(**) Term: **15 Years**

(21) Appl. No.: **29/596,970**

(22) Filed: **Mar. 13, 2017**

Related U.S. Application Data

(63) Continuation of application No. 29/544,227, filed on Oct. 30, 2015, now Pat. No. Des. 781,146.

(51) **LOC (11) Cl.** **09-07**

(52) **U.S. Cl.**
USPC **D9/443; D7/392.1**

(58) **Field of Classification Search**
USPC D3/10, 202, 203.1, 203.2, 273, 275, 291, D3/294, 318; D4/127, 129; D7/300, D7/300.1, 313, 316, 317, 318, 387, 391, D7/392.1, 393, 394, 396.2, 398, 402, 503, D7/505, 507, 509, 510, 511, 513, D7/523-531, 533, 538, 541, 542, 549, D7/590, 605, 608, 629, 672, 703, 900; D8/300, 302, 303, 306, 307, 308, 310, D8/315, 333, 349, 350, 352, 354, 356, D8/382, 383, 394, 395; D9/418, D9/434-440, 443-450, 452-454, 502, D9/503, 504, 516, 517, 529, 530, 531, D9/534, 538, 543, 682, 686, 688, 715, D9/718; D10/46.2; D11/26, 35; D12/218; D13/103, 106, 118, 133, 154,

(Continued)

(56) **References Cited**

U.S. PATENT DOCUMENTS

D109,331 S 4/1938 McManus et al.
D154,378 S 7/1949 Fuller
(Continued)

FOREIGN PATENT DOCUMENTS

CN 301110494 * 1/2010
CN 303528321 * 12/2015
(Continued)

OTHER PUBLICATIONS

ETI 36 oz. Rambler: Announced Jan. 11, 2016 [online], site visited [May 10, 2016]. Available from Internet URL: <http://yeticoolers.com/rambler-bottle-36-oz/>.*

(Continued)

Primary Examiner — Sheryl Lane

Assistant Examiner — Catherine S Posthauer

(74) *Attorney, Agent, or Firm* — Banner & Witcoff, Ltd.

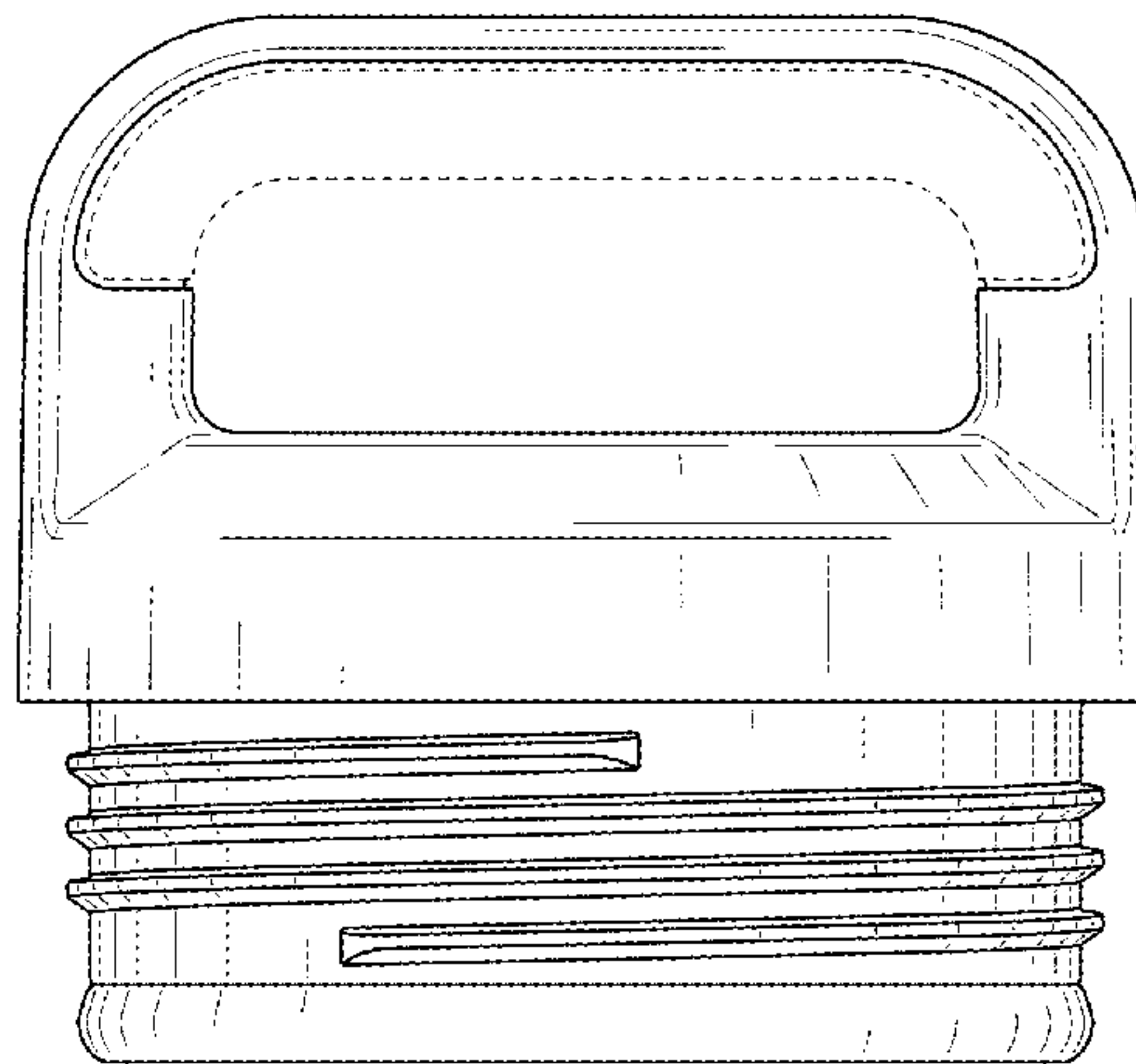
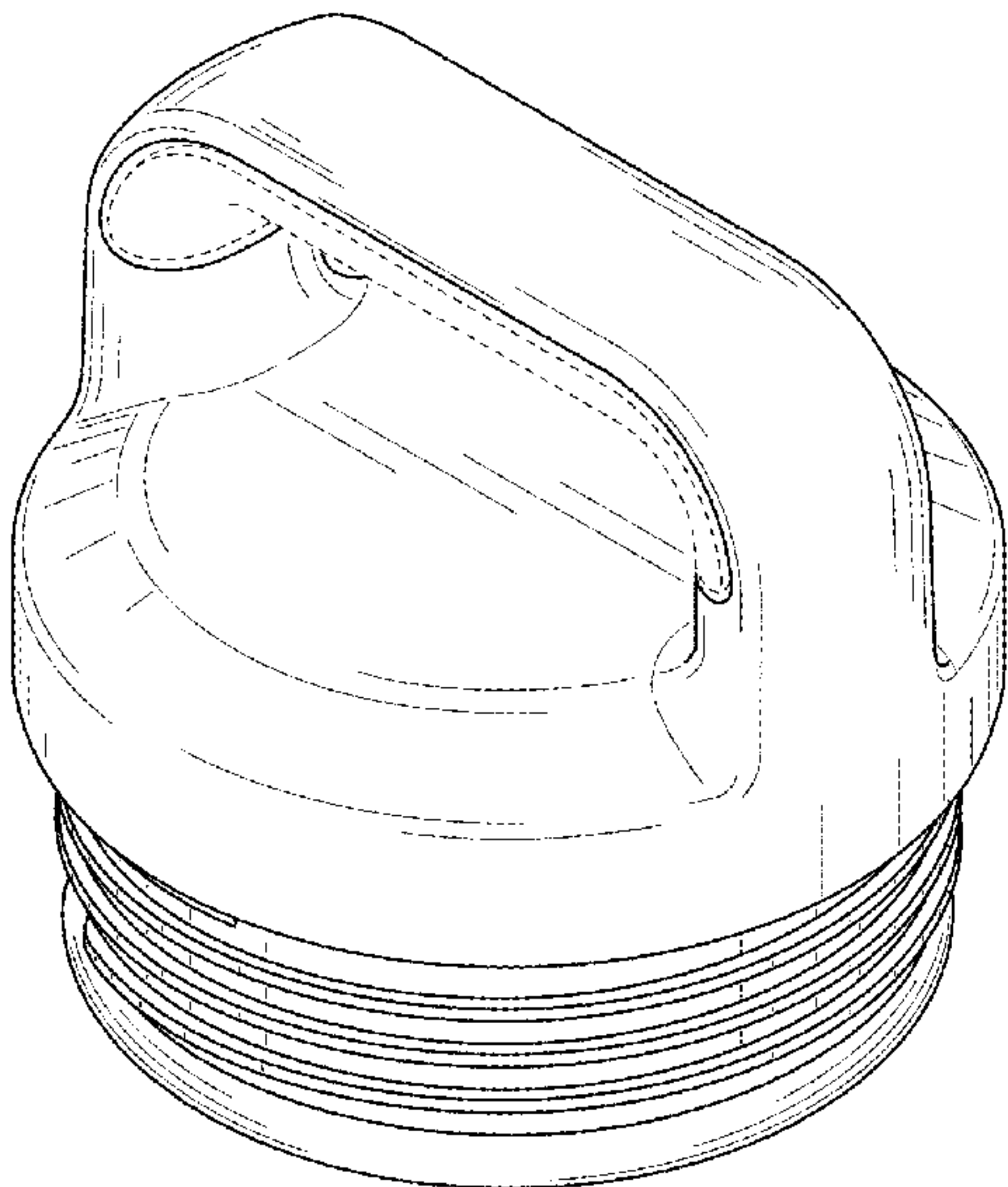
(57) **CLAIM**

The ornamental design for a lid, as shown and described.

DESCRIPTION

FIG. 1 is a top, front, right perspective view of a lid showing our new design;
FIG. 2 is a front view thereof;
FIG. 3 is a rear view thereof;
FIG. 4 is a right side view thereof;
FIG. 5 is a left side view thereof;
FIG. 6 is a top view thereof; and,
FIG. 7 is a bottom view thereof.
The broken lines are shown for the purposes of illustrating parts of the lid that form no part of the claim.

1 Claim, 4 Drawing Sheets



(58) **Field of Classification Search**

USPC D13/158, 183, 703; D19/70, 71, 115,
 D19/162, 163, 165, 192, 194; D24/121,
 D24/127, 197, 224; D26/36, 123, 124;
 D29/129, 130; D30/158, 159; D32/23,
 D32/24, 25, 34, 72; D34/7, 10, 11, 28
 CPC B65D 47/122; B65D 47/305; B65D 23/00;
 B65D 1/00; B65D 1/02; B65D 1/0223;
 B65D 50/041; B65D 25/18; B65D 41/04;
 B65D 51/242; B65D 39/08; A47G 19/00;
 A47G 19/2272; A47F 3/14; A47F 3/16;
 A47J 41/00

See application file for complete search history.

(56) **References Cited**

U.S. PATENT DOCUMENTS

D177,761 S 5/1956 Reinhardt
 D224,646 S 8/1972 Vollquartz
 D235,303 S 6/1975 Boucher
 D256,651 S 9/1980 Leung et al.
 D279,346 S 6/1985 Ruxton
 D281,567 S 12/1985 Zimmermann
 D286,604 S 11/1986 Bierlein et al.
 D286,847 S 11/1986 Zimmermann
 D287,211 S 12/1986 Weiss
 D290,678 S 7/1987 Johnson et al.
 D305,871 S 2/1990 Geiger
 D332,379 S 1/1993 Murphy
 D354,915 S 1/1995 Schneider et al.
 D368,224 S 3/1996 Arndt
 D381,906 S 8/1997 Bartsch
 D391,450 S 3/1998 Rausch
 D398,193 S 9/1998 Sanchez
 D405,650 S 2/1999 Meier
 D411,742 S 6/1999 Kokenge et al.
 D415,395 S 10/1999 Hunt et al.
 D422,916 S 4/2000 Herrmann
 D437,556 S 2/2001 Holliday et al.
 D456,669 S * 5/2002 Munari D7/392.1
 D458,133 S * 6/2002 Berish D9/443
 D458,134 S 6/2002 Berish et al.
 D466,814 S 12/2002 Hurlburt
 D479,800 S 9/2003 McRae
 D482,607 S 11/2003 McRae
 D494,425 S 8/2004 Segura
 D502,052 S 2/2005 Meade
 D521,866 S 5/2006 Hicks et al.
 D524,909 S * 7/2006 Bakke D23/233
 D525,518 S * 7/2006 Baldwin D8/310
 D536,929 S 2/2007 Kingsley
 D548,082 S 8/2007 Kingsley
 D553,914 S 10/2007 Wahl
 D554,000 S 10/2007 Walsh
 D554,503 S 11/2007 Kerman et al.
 D554,993 S 11/2007 Kerman et al.
 D561,470 S 2/2008 Jalet
 D564,363 S 3/2008 Rhea
 D568,740 S 5/2008 Williams
 D572,585 S 7/2008 Perrin et al.
 D584,623 S 1/2009 Chupak
 D587,533 S 3/2009 Carreno
 D601,436 S 10/2009 Stephens et al.
 D603,331 S 11/2009 Schupp
 D603,722 S 11/2009 Reimer
 D604,181 S 11/2009 Reimer
 D604,561 S 11/2009 Chisholm
 D605,040 S 12/2009 Fry et al.
 D605,060 S 12/2009 Reimer
 D608,195 S 1/2010 Germann
 D609,567 S 2/2010 Komet et al.
 D611,346 S 3/2010 Camomile
 D612,235 S 3/2010 Cresswell et al.
 D614,918 S 5/2010 Chisholm
 D615,360 S 5/2010 Joy et al.

D615,816 S 5/2010 Joy et al.
 D616,703 S 6/2010 Joy et al.
 D616,743 S * 6/2010 Cresswell D9/443
 D616,744 S * 6/2010 Cresswell D9/443
 D618,500 S 6/2010 Hardaway
 D619,457 S 7/2010 Walsh
 D619,458 S 7/2010 Walsh
 D619,459 S 7/2010 Walsh
 D620,798 S * 8/2010 Cresswell D9/443
 D621,257 S 8/2010 Gullickson et al.
 D621,258 S 8/2010 Gullickson et al.
 D622,089 S 8/2010 Daniel et al.
 D622,145 S 8/2010 Walsh
 D623,062 S 9/2010 Gullickson et al.
 D623,475 S 9/2010 Arnoudse et al.
 D623,896 S 9/2010 Wahl et al.
 D626,414 S 11/2010 Cresswell et al.
 D626,416 S 11/2010 Cresswell et al.
 D627,601 S 11/2010 Eyal
 D627,602 S 11/2010 Eyal
 D627,604 S 11/2010 Eyal
 D628,486 S 12/2010 Lane
 D629,689 S 12/2010 Cresswell et al.
 D629,690 S 12/2010 Cresswell et al.
 D629,691 S 12/2010 Cresswell et al.
 D630,474 S 1/2011 Gilbert
 D630,475 S * 1/2011 Lu D7/629
 D631,666 S 2/2011 Lim et al.
 D633,338 S 3/2011 Rosbach et al.
 D633,794 S 3/2011 Cresswell et al.
 D633,795 S 3/2011 Cresswell et al.
 D633,796 S 3/2011 Cresswell et al.
 D633,797 S 3/2011 Cresswell et al.
 D635,457 S 4/2011 Lane
 D635,856 S 4/2011 Laurent
 D638,695 S * 5/2011 Woodrow D8/382
 D638,708 S 5/2011 Walsh
 D639,164 S 6/2011 Walsh
 D639,661 S 6/2011 Llerena
 D639,663 S 6/2011 Llerena
 D641,591 S 7/2011 Tsukida
 D644,062 S 8/2011 Lorenz
 D651,847 S 1/2012 Gilbert
 D652,255 S 1/2012 Carland
 D652,682 S 1/2012 Eyal
 D654,762 S 2/2012 Gilbert
 D655,134 S 3/2012 Gilbert
 D655,581 S 3/2012 Kotani
 D657,196 S * 4/2012 Beyers, III D7/513
 D658,064 S 4/2012 Barnes et al.
 D658,445 S 5/2012 Carreno
 D659,007 S 5/2012 Pape
 D660,084 S 5/2012 Gilbert
 D662,360 S 6/2012 George
 8,215,511 B1 * 7/2012 Lin B65D 39/08
 215/228
 D664,809 S 8/2012 Eyal
 D665,621 S 8/2012 Eyal
 D668,913 S 10/2012 Mayer
 D672,238 S 12/2012 Aziz et al.
 D672,609 S 12/2012 Aziz et al.
 D675,100 S 1/2013 Herbst
 D676,764 S 2/2013 Moore et al.
 D677,119 S 3/2013 Ying
 D678,772 S 3/2013 Johnson et al.
 D680,389 S * 4/2013 Zemel D7/672
 D684,059 S 6/2013 Johnson et al.
 D684,813 S 6/2013 Eyal
 D686,078 S 7/2013 Johnson et al.
 D688,093 S 8/2013 Roth et al.
 D693,698 S 11/2013 Miller, Jr.
 D695,138 S 12/2013 Ball
 D696,945 S 1/2014 Newman
 D697,404 S 1/2014 Johnson et al.
 D698,668 S 2/2014 Vaughn
 D701,464 S 3/2014 Ogata et al.
 D702,092 S 4/2014 Mettler et al.
 D702,506 S 4/2014 Mettler et al.
 D708,954 S 7/2014 Barnes et al.

(56)

References Cited

U.S. PATENT DOCUMENTS

D709,734 S	7/2014	Kotani	
D712,254 S	9/2014	Geis et al.	
D712,255 S	9/2014	Geis et al.	
D713,268 S	9/2014	Jones et al.	
D713,365 S	9/2014	Green	
D717,102 S	11/2014	Taketani et al.	
D724,385 S	3/2015	Hurley et al.	
D728,315 S	5/2015	Bo	
D728,995 S	5/2015	Barberi	
D729,579 S	5/2015	Molayem	
D729,584 S	5/2015	Weston et al.	
D732,402 S	6/2015	Jones et al.	
D734,154 S	7/2015	Johnson et al.	
D735,578 S	8/2015	Mazurkiewicz et al.	
D741,655 S	10/2015	Whelan et al.	
D743,742 S	11/2015	Rummel et al.	
D744,781 S	12/2015	Rummel et al.	
D754,472 S *	4/2016	Munari	D7/393
D755,561 S	5/2016	Eyal	
D756,701 S	5/2016	Mettler et al.	
D758,859 S	6/2016	Sorensen et al.	
D760,080 S	6/2016	Gorbald	
D760,586 S *	7/2016	Seiders	D7/392.1
D764,916 S	8/2016	Mount, III et al.	
D766,085 S	9/2016	Smith	
D774,363 S	12/2016	Seiders et al.	
D777,508 S	1/2017	Goodwin et al.	
D780,577 S *	3/2017	Seiders	D7/392.1
D781,145 S *	3/2017	Seiders	D7/392.1
D781,146 S *	3/2017	Seiders	D7/392.1
D782,881 S *	4/2017	Seiders	D7/510
D783,367 S *	4/2017	Seiders	D7/608
D783,368 S *	4/2017	Seiders	D7/510
D786,146 S	5/2017	Woodhouse et al.	
D788,544 S *	6/2017	Seiders	D7/608
D790,285 S *	6/2017	Seiders	D7/608
2008/0078787 A1	4/2008	Yelland	
2011/0186585 A1	8/2011	Lu	
2014/0251938 A1	9/2014	Rose et al.	
2014/0353275 A1	12/2014	Hung	
2017/0119212 A1 *	5/2017	Petrillo	A47J 41/0072

FOREIGN PATENT DOCUMENTS

JP	1530358	8/2015
KR	300303813.0000	8/2002
KR	300751936.0000	* 7/2014
KR	300764889.0000	* 10/2014
WO	D088688-002	1/2016
WO	WOD088688-002	* 1/2016

OTHER PUBLICATIONS

KOLD Vacuum Insulated Stainless Steel Sports Bottle: Announced Dec. 8, 2015 [online], site visited [May 11, 2016]. Available from Internet URL: http://www.amazon.com/KOLD-Sports-Water-Bottles-Insulated/dp/B018YHK79E/ref=cm.*

United States District Court Western District of Texas Austin Division, “Second Amended Complaint,” *Yeti Coolers, LLC v. Sam’s West, Inc., and Sam’s East, Inc., and CY Top, Ltd.*, Case: 1:16-cv-00829-RP, Document #51, filed Sep. 22, 2017, 49 pages.

United States District Court Western District of Texas Austin Division, “Complaint,” *Yeti Coolers, LLC v. Costco Wholesale Corporation*, Case: 1:17-cv-07025, Document #1, filed Sep. 28, 2017, 99 pages.

United States District Court Western District of Texas Austin Division, “Complaint,” *Yeti Coolers, LLC v. Alibaba Group Holding Limited, Alibaba (China) Technology Co., Ltd., Alibaba.com Hong Kong Limited, Alibaba.com Singapore E-Commerce Private Limited, Hangzhou Alibaba Advertising Co. Ltd., and Huizhou Dashu Trading Co., Ltd.*, Case: 1:17-cv-00936, Document #1, filed Sep. 28, 2017, 272 pages.

United States District Court Western District of Texas Austin Division, “Complaint,” *Yeti Coolers, LLC v. ContextLogic, Inc. d/b/a Wish.com*, Case: 1:17-cv-00937, Document #1, filed Sep. 28, 2017, 238 pages.

United States District Court Western District of Texas Austin Division, “Complaint,” *Yeti Coolers, LLC v. Dunhuang Group, SZ Flowerfairy Technology Co., Ltd., Tan Er Pa Technology Co., Ltd., Shenzhen Great Electronic Technology Co., Ltd., and Huagong Trading Co.*, Case: 1:17-cv-00938, Document #1, filed Sep. 28, 2017, 272 pages.

United-States International Trade Commission of Washington, DC, “Complaint Under Section 337 of-the Tariff Act of 1930, as Amended,” *Yeti Coolers, LLC vs. Alibaba (China) Technology Co., Ltd., Alibaba Group Holding Limited, Alibaba.com Hong Kong Limited, Alibaba.com Singapore E-Commerce Private Limited, Bonanza.com, Inc., ContextLogic, Inc. d/b/a Wish, Dunhuang Group, Hangzhou Alibaba Advertising Co. Ltd., Huizhou Dashu Trading Co., Ltd, Huagong Trading Co., and Tan Er Pa Technology Co., Ltd.*, Case: 337-TA-3261, filed Sep. 28, 2017, 191 pages.

United States District Court Western District of Texas Austin Division, “Plaintiffs’ Complaint for Damages and Injunctive Relief,” *Yeti Coolers, LLC v. Houssam Rabi d/b/a Hoo-Sizzy*, Case 1:17-cv-00418, Document 1, filed May 5, 2017, 37 pages.

United States District Court Western District of Texas Austin Division, “Plaintiffs’ Complaint for Damages and Injunctive Relief,” *Yeti Coolers, LLC v. Seth Stevens d/b/a SDS Marketing d/b/a Eskimo Coolers, Panther Group LLC d/b/a Eskimo Coolers, Panther Group Sales, LLC d/b/a Eskimo Coolers, and Silver Fox Sales, LLC*, Case 1:17-cv-00423, Document 1, filed May 5, 2017, 77 pages.

Yeti 36 oz. Rambler: Announced Jan. 11, 2016 [online], site visited [May 10, 2016]. Available from Internet URL: <http://yeticoolers.com/rambler-bottle-36-oz/>.

United States District Court Western District of Texas Austin Division, “Complaint for Damages and Injunctive Relief,” *Yeti Coolers, LLC v. RTIC Coolers, LLC, RTIC Drinkware, LLC, and RTIC Web Services, LLC*, Case: 1:16-cv-00985, Document #1, filed Aug. 18, 2016, 27 pages.

United States District Court Western District of Texas Austin Division, “Defendants’ Motion to Dismiss Pursuant to Rule 12(b)(6),” *Yeti Coolers, LLC v. RTIC Coolers, LLC, RTIC Drinkware, LLC, and RTIC Web Services, LLC*, Case: 1:16-cv-00985, Document #9, filed Sep. 23, 2016, 27 pages.

English translation of Office Action dated Nov. 1, 2016 for JP Application No. 2016-9605, 2 pages.

English translation of Office Action dated Nov. 1, 2016 for JP Application No. 2016-9606, 2 pages.

English translation of Office Action dated Oct. 4, 2016 for JP Application No. 2016-9607, 2 pages.

English translation of Office Action dated Oct. 4, 2016 for JP Application No. 2016-9608, 2 pages.

United States District Court Western District of Texas Austin Division, “Plaintiff Yeti Coolers, LLC’s Original Complaint,” *Yeti Coolers, LLC v. Ontel Products Corporation and World Pack USA, LLC*, Case: 1:17-cv-00091-RP, Document #1, filed Feb. 8, 2017, 65 pages.

United States District Court Western District of Texas Austin Division, “Defendants’ Answers and Defenses to Plaintiff’s Original Complaint,” *Yeti Coolers, LLC v. Ontel Products Corporation and World Pack USA, LLC*, Case: 1:17-cv-00091-RP, Document #14, filed Feb. 21, 2017, 45 pages.

Yeti Rambler. Jul. 19, 2016 [earliest online date], [site visited Apr. 7, 2017]. Available from internet, <URL: <http://yeti.com/rambler>>.

Amazon. Yeti Rambler Bottle Replacement Cap. Mar. 23, 2017 [earliest online date], [site visited Apr. 7, 2017]. Available from Internet, <URL: <https://www.amazon.com/YETI-Rambler-Bottle-Replacement-Cap/dp/B01MZ6QIMY>>.

Outdoor Pro Shop. Yeti Rambler Bottles. May 27, 2016 {earliest online date}, [site visited Apr. 7, 2017]. Available from Internet, <URL: <https://www.outdoorproshop.com/Yeti-Rambler-Bottles-p/yeti-yramblt.htmOu>>.

(56)

References Cited

OTHER PUBLICATIONS

“Review: Yeti Heavy-Duty Rambler Bottles”. Found online Jun. 12, 2017 at gearjunkie.com. Page dated Apr. 1, 2016. Retrieved from <<https://gearjunkie.com/yeti-rambler-water-bottle-review>>.

“ETS Express: New Items in Stock”. Found online Jun. 12, 2017 at twitter.com. Page dated Jan. 21, 2015. Retrieved from <<https://twitter.com/etsexpress/status/557997114589196288>>.

“Klean Kanteen Wide Mouth Water Bottle with Loop Cap”. Found online Oct. 12, 2016 at amazon.com. Page dated Dec. 5, 2009. Retrieved from <https://www.amazon.com/Klean-Kanteen-Mouth-Water-Bottle/dp/B002VIZ61U/ref=cm_cr_ar_p_d_product_top?ie=UTF8>.

“Sketch-a-Day: Water Bottles”. Found online Jun. 21, 2017 at sketch-a-day.com. Page dated Mar. 4, 2010. Retrieved from <<http://www.sketch-a-day.com/posts/sketch-a-day-95-water-bottles/>>.

* cited by examiner

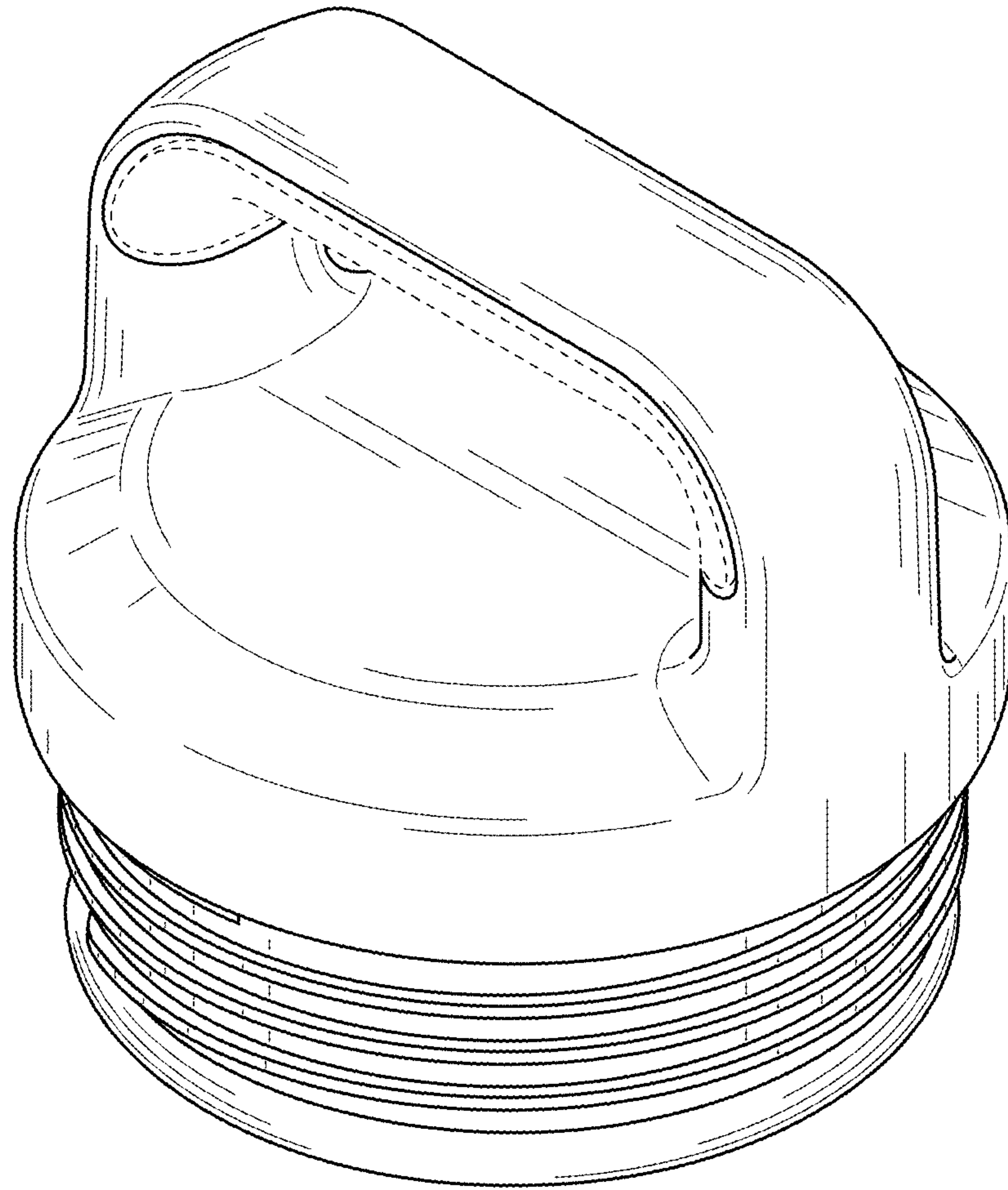


FIG. 1

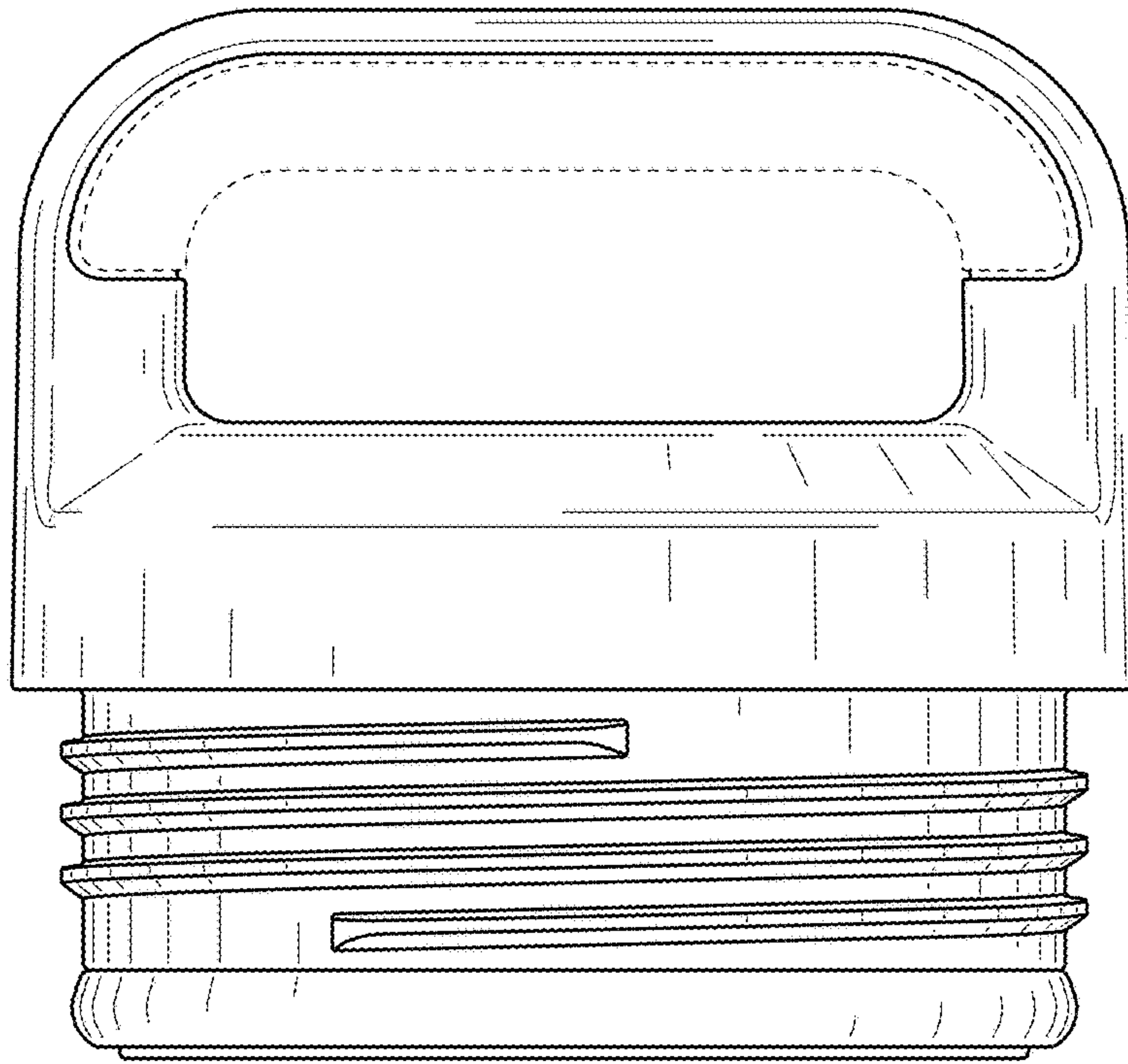


FIG. 2

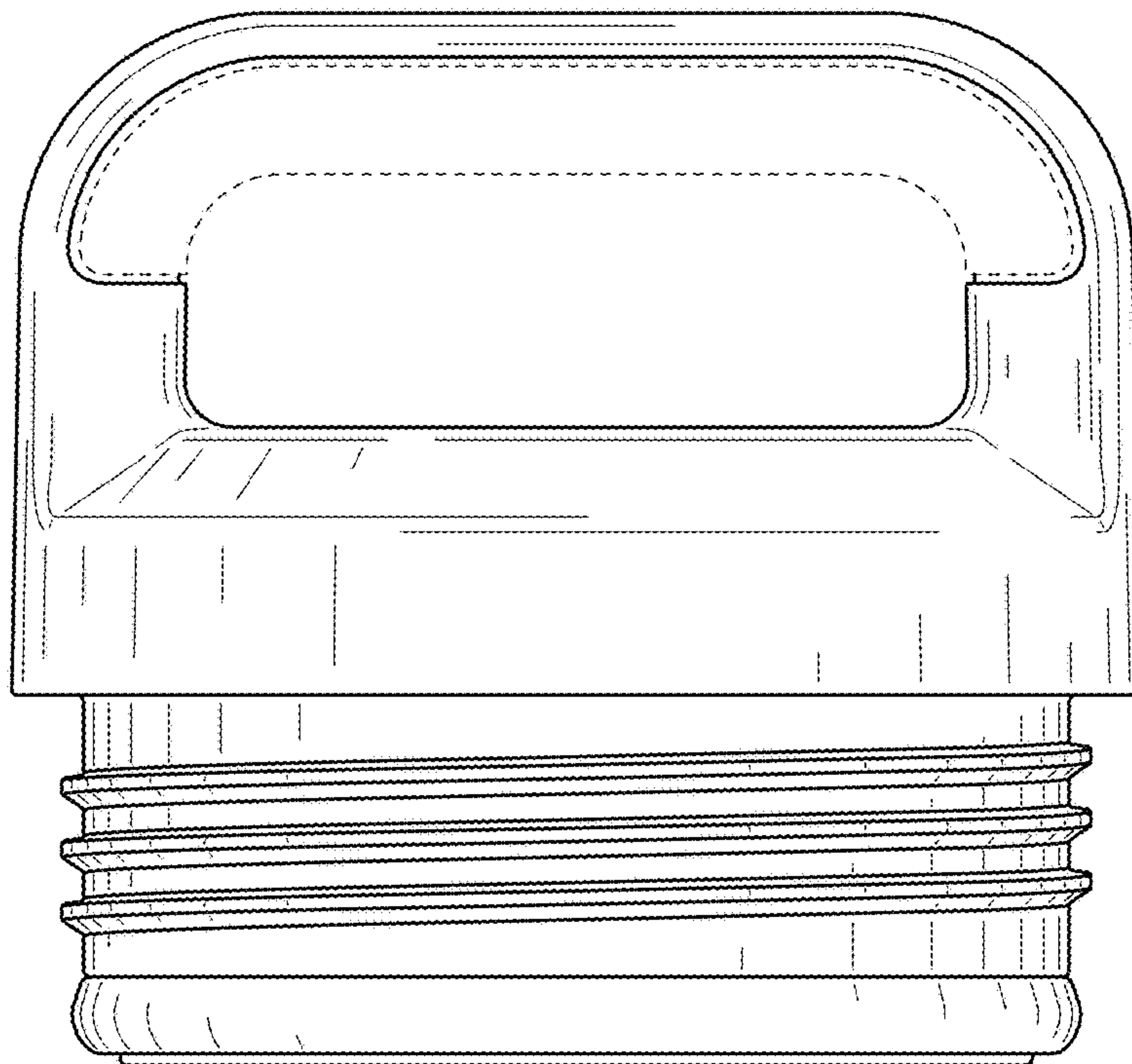


FIG. 3

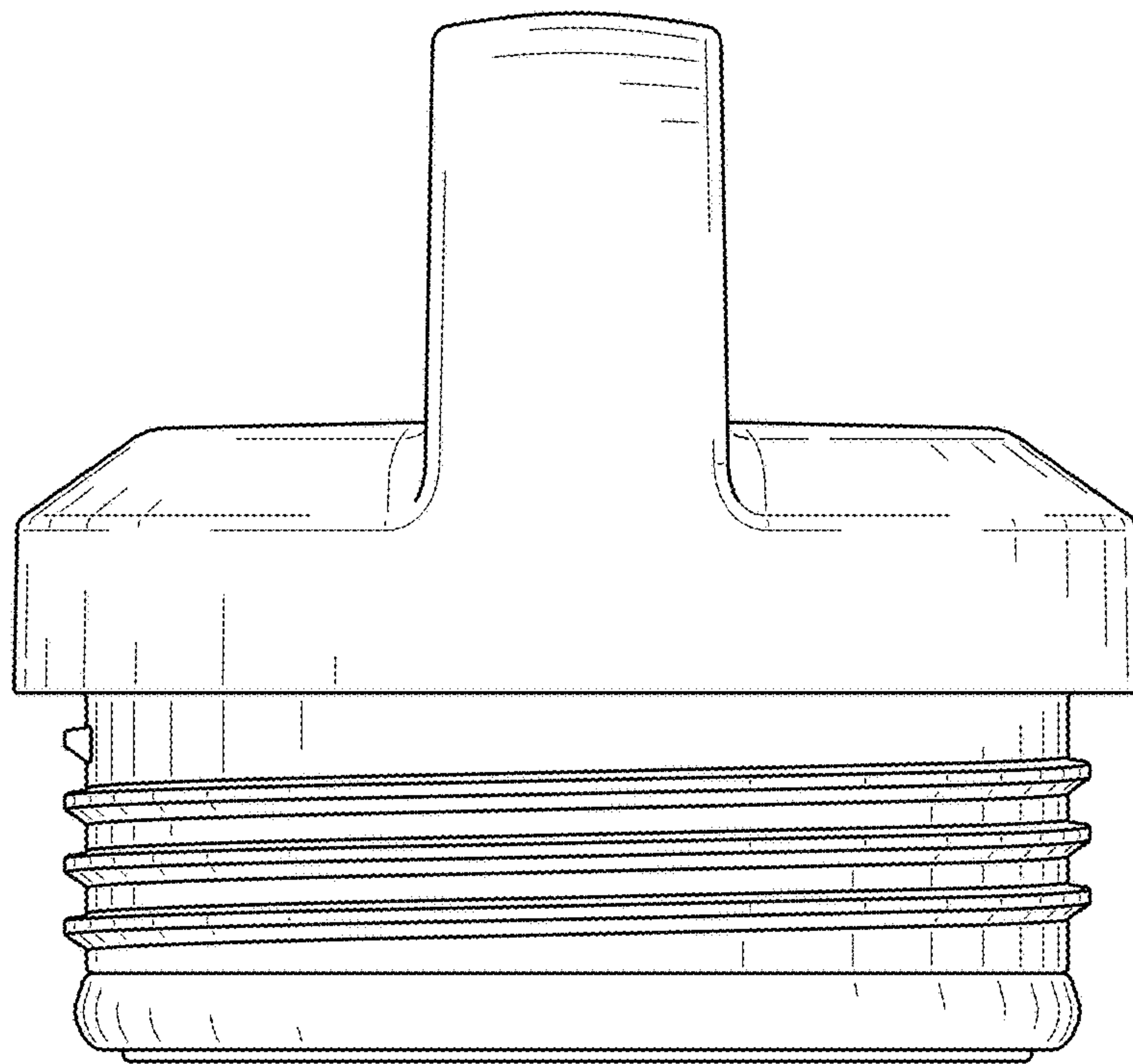


FIG. 4

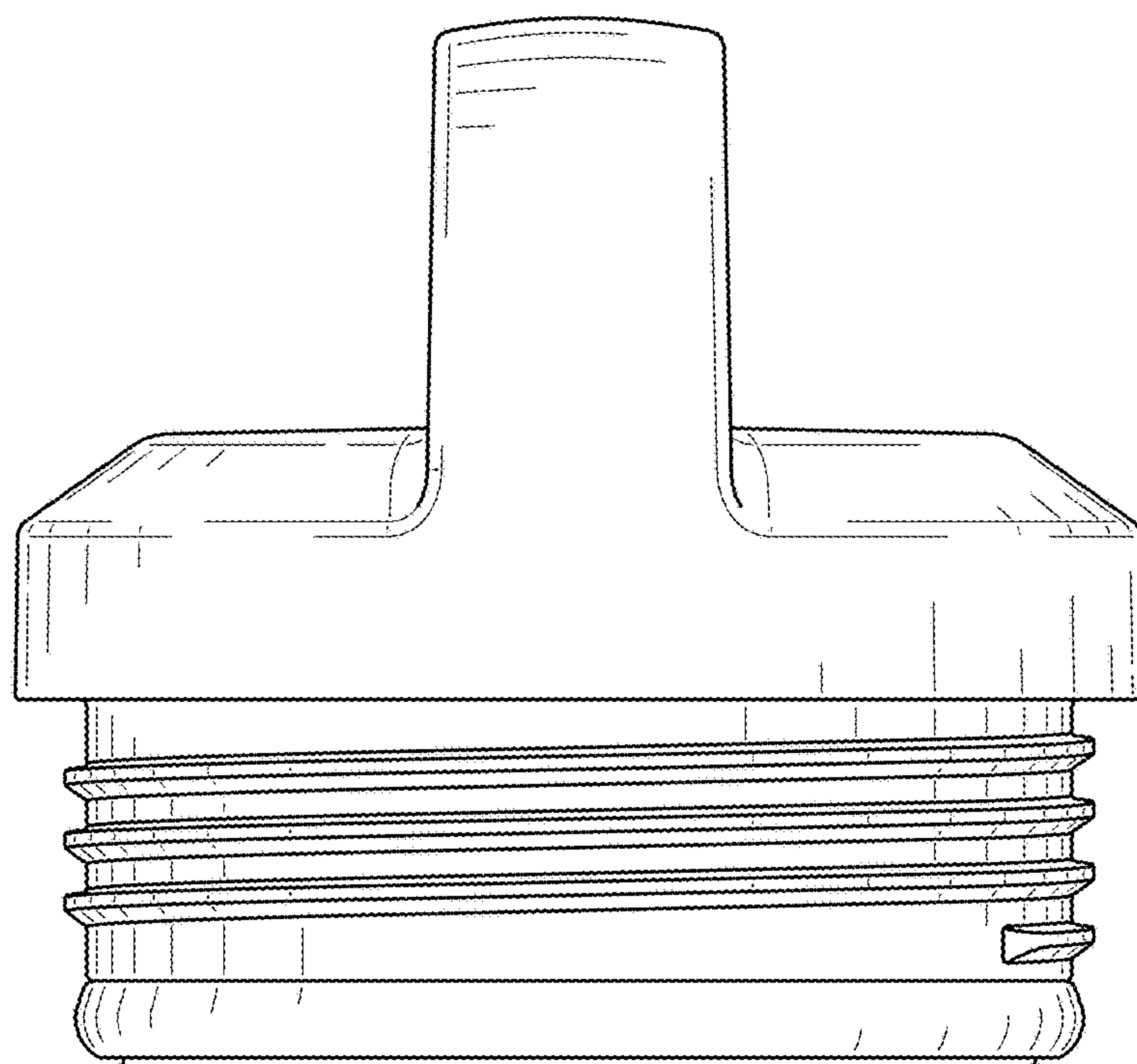


FIG. 5

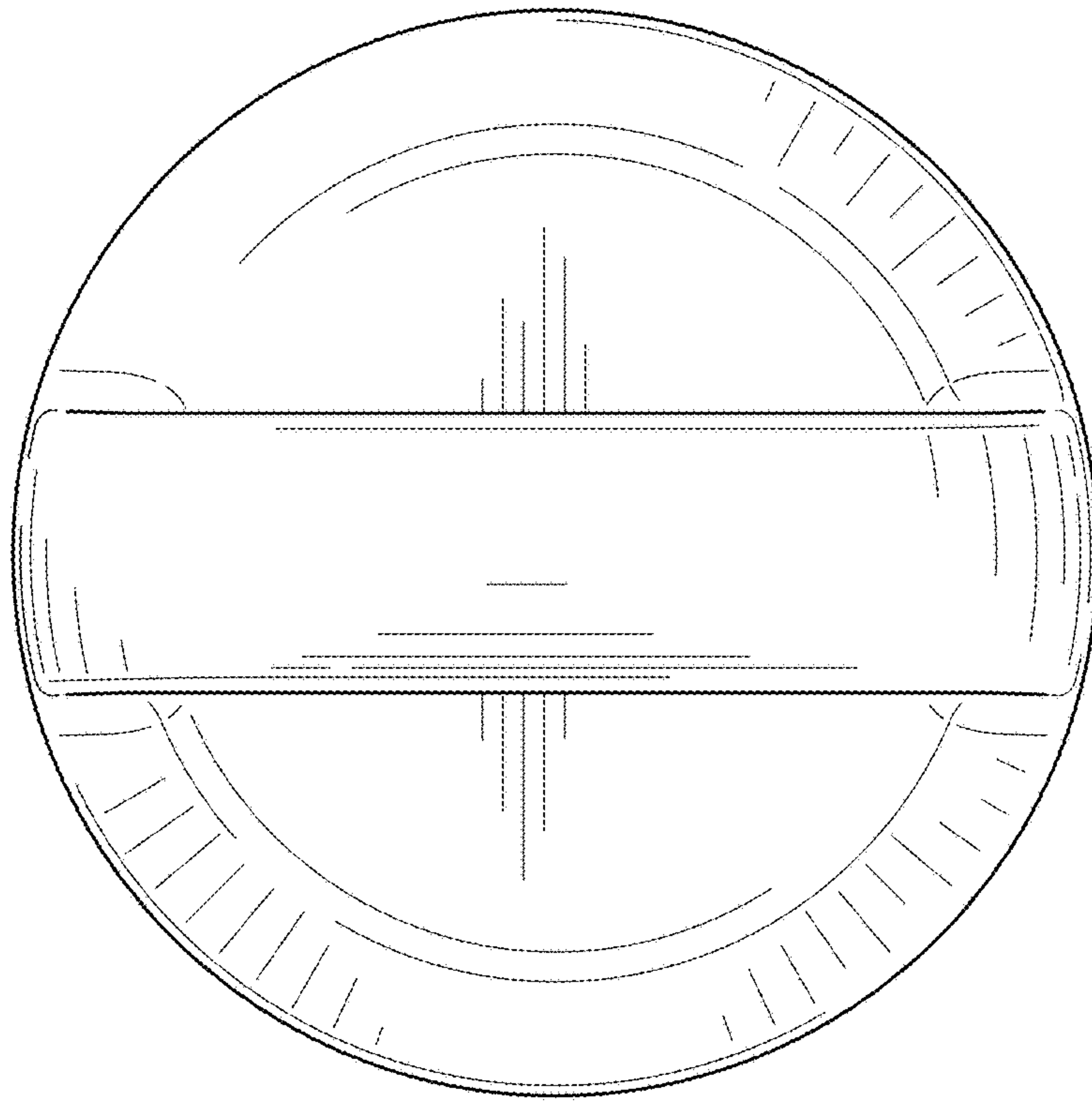


FIG. 6

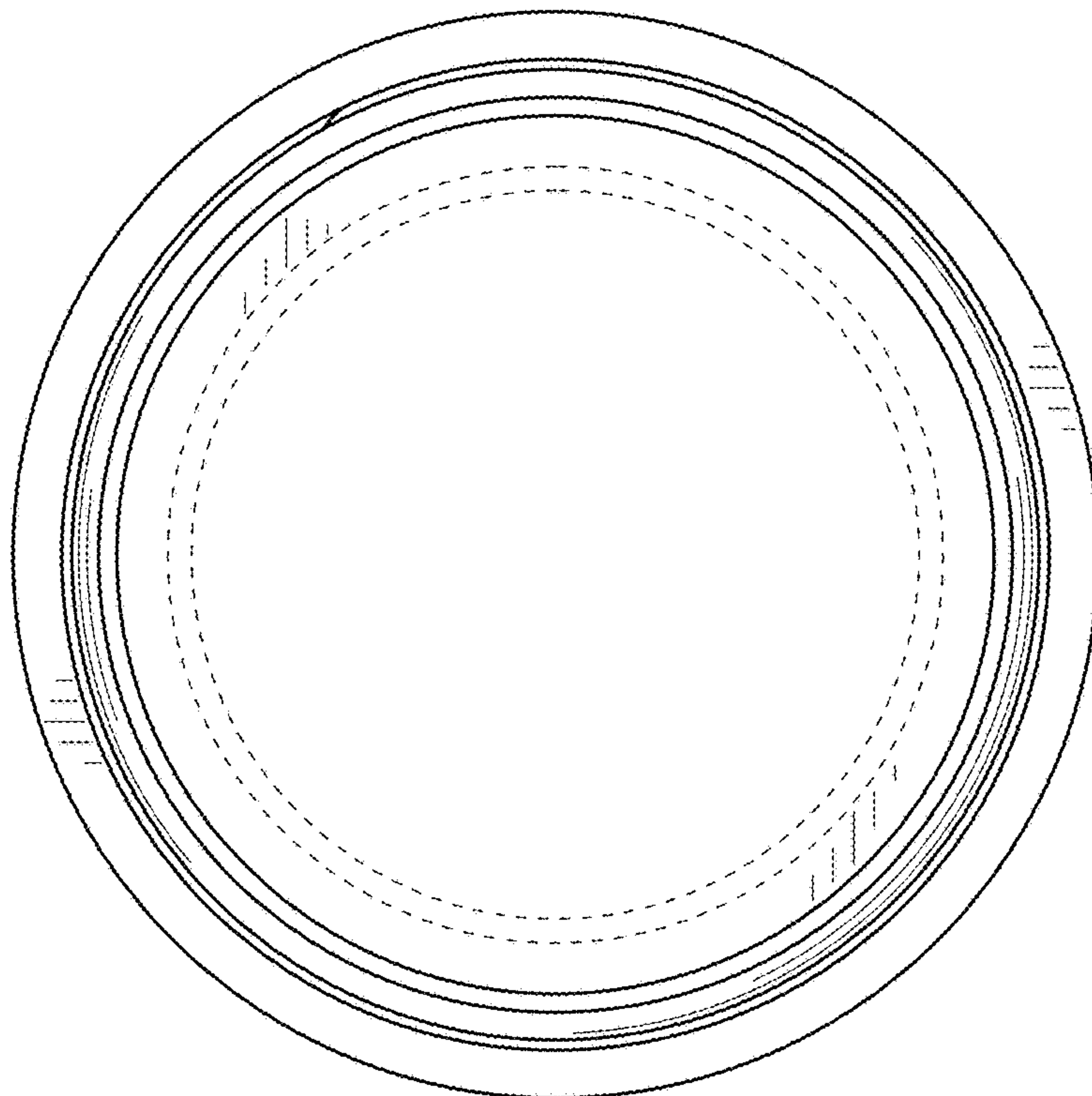


FIG. 7