



US00D843209S

(12) **United States Design Patent**  
**Daley et al.**

(10) **Patent No.:** **US D843,209 S**  
(45) **Date of Patent:** **\*\* Mar. 19, 2019**

(54) **BOTTLE CAP**

- (71) Applicant: **CVS Pharmacy, Inc.**, Woonsocket, RI (US)
- (72) Inventors: **Bennett P. Daley**, Waltham, MA (US); **Ryan Neil Peter Hall**, Clinton, MA (US); **Michael David Miller**, Tewksbury, MA (US); **Daniel Nelsen**, Central Falls, RI (US); **Peter Rezac**, Sterling, MA (US); **Timothy Andrew Vanderpoel**, Hudson, MA (US)

(73) Assignee: **CVS Pharmacy, Inc.**, Woonsocket, RI (US)

(\*\*) Term: **15 Years**

(21) Appl. No.: **29/635,081**

(22) Filed: **Jan. 26, 2018**

**Related U.S. Application Data**

(63) Continuation of application No. 29/583,553, filed on Nov. 7, 2016, now Pat. No. Des. 813,032.

(51) **LOC (11) Cl.** ..... **09-07**

(52) **U.S. Cl.**  
USPC ..... **D9/435**

(58) **Field of Classification Search**  
USPC ..... D3/201, 202, 318; D7/387, 392, 392.1, D7/396.2, 396.3, 397, 398, 511, 629, 300; D9/434, 435, 504, 744, 745, 751, D9/436-440, 443, 445-449, 454, 456, D9/499

(Continued)

(56) **References Cited**

**U.S. PATENT DOCUMENTS**

- 1,877,258 A 9/1932 Spahn
- 2,151,826 A 3/1939 Andersen

(Continued)

**OTHER PUBLICATIONS**

Grumpy Foot, Square Bottle by Ex-Apple Engineers, 2017 earliest online date, retrieved from <https://www.grumpfoot.com/square-bottle-by-former-apple-engineers/>, Sep. 7, 2017, 3 pgs.

(Continued)

*Primary Examiner* — George D. Kirschbaum

*Assistant Examiner* — Darcey E Heflin

(74) *Attorney, Agent, or Firm* — Patent Law Works LLP

(57) **CLAIM**

The ornamental design for a bottle cap, as shown and described.

**DESCRIPTION**

FIG. 1 is a top, front, and right perspective view of a bottle cap showing the new design.

FIG. 2 is a bottom, rear, and right perspective view of the bottle cap showing the new design.

FIG. 3 is a top, rear, and left perspective view of the bottle cap showing the new design.

FIG. 4 is a top view of the bottle cap showing the new design.

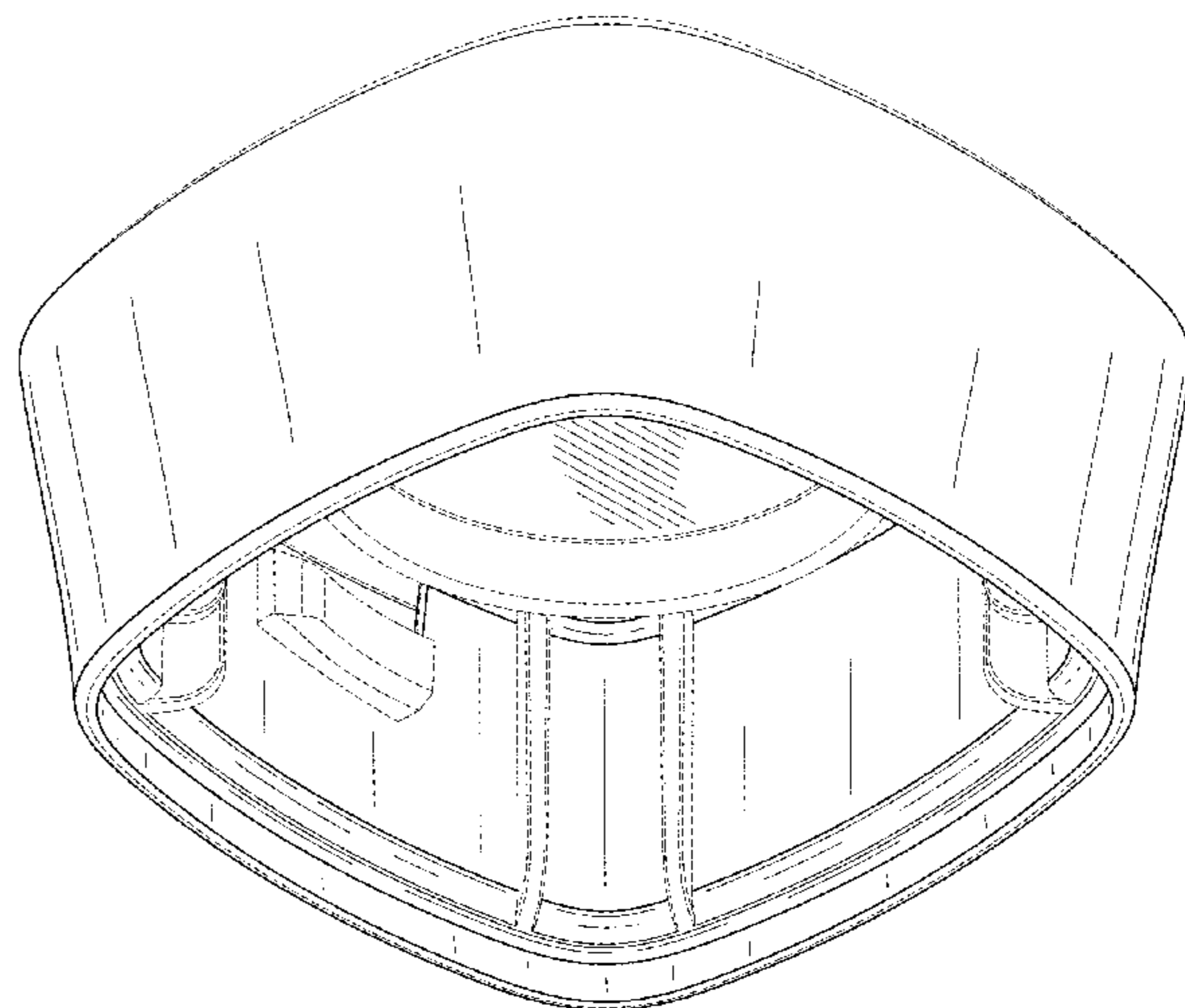
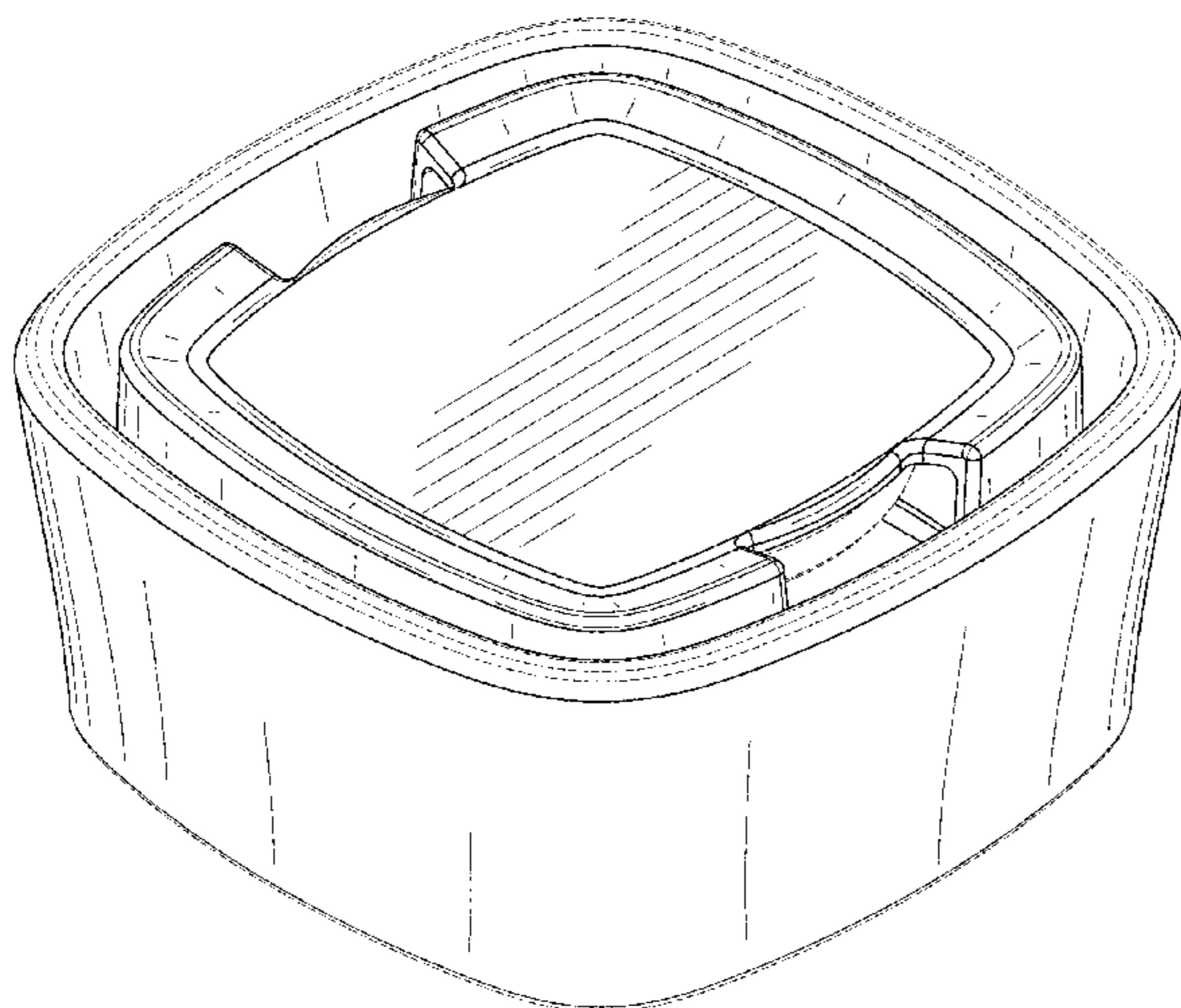
FIG. 5 is a bottom view of the bottle cap showing the new design.

FIG. 6 is a left side view of the bottle cap showing the new design (the right side view being a mirror image thereof); and,

FIG. 7 is a front view of the bottle cap showing the new design (the rear view being a mirror image thereof).

Within the drawings, the even spaced dash-dash lines, and the areas within the dash-dash lines, show unclaimed portions of the bottle cap and form no part of the claimed design. The surface shading lines are provided to indicate any contour or curvature of the surfaces.

**1 Claim, 6 Drawing Sheets**



(58) **Field of Classification Search**  
 CPC ..... B65D 50/063; B65D 50/046; B65D  
 41/0407; B65D 1/0246; A61J 1/1418  
 See application file for complete search history.

(56) **References Cited**

U.S. PATENT DOCUMENTS

2,319,849	A	5/1943	Crabbe	
2,423,295	A	7/1947	Crabbe et al.	
2,776,066	A	1/1957	Thornton	
D198,723	S *	7/1964	Groves .....	D9/443
D198,874	S *	8/1964	Joosten .....	D9/443
3,252,492	A	5/1966	Marchant	
3,405,831	A	10/1968	Hudson	
3,794,200	A	2/1974	Marks	
3,967,746	A	7/1976	Botkin	
3,993,209	A	11/1976	Julian	
4,090,629	A	5/1978	Hedgewick	
4,098,419	A	7/1978	Virog, Jr. et al.	
4,387,817	A	6/1983	Wiles et al.	
4,579,238	A	4/1986	Herr	
5,411,157	A	5/1995	King et al.	
D360,134	S	7/1995	Snyder	
5,460,283	A	10/1995	MaCartney et al.	
5,662,233	A	9/1997	Reid	
5,803,287	A	9/1998	Kusz	
5,862,953	A	1/1999	Long, Jr.	
6,123,212	A	9/2000	Russell et al.	
D442,868	S	5/2001	Gavin	
D456,272	S	4/2002	Sadeghi et al.	
6,367,640	B1	4/2002	Julian	
D481,640	S	11/2003	Biesecker	
6,802,418	B2	10/2004	Atkinson et al.	
D498,143	S	11/2004	Rashid	
D531,913	S	11/2006	Heisner et al.	
D539,651	S	4/2007	Snyder	
D540,669	S	4/2007	George et al.	
D542,100	S *	5/2007	Kim .....	D7/629
D576,876	S	9/2008	Mount	
D587,586	S	3/2009	Patzak	
D619,473	S	7/2010	Biesecker et al.	
D620,369	S	7/2010	Servaire et al.	
D622,591	S	8/2010	Biesecker et al.	
D630,518	S	1/2011	Biesecker et al.	
D639,669	S	6/2011	Adler et al.	
8,079,483	B2	12/2011	Brozell et al.	
D654,799	S	2/2012	Liu	
D662,424	S *	6/2012	Lindsay .....	D7/602
D678,074	S	3/2013	De France	

D691,054	S	10/2013	Olsson et al.	
8,616,407	B2	12/2013	Sawicki	
D698,250	S	1/2014	Wade et al.	
D698,251	S	1/2014	Wade et al.	
D706,084	S *	6/2014	Manley .....	D7/629
D733,787	S	7/2015	Baker et al.	
D733,788	S	7/2015	Baker et al.	
D736,635	S	8/2015	Sadler et al.	
D739,759	S	9/2015	Warner et al.	
D742,242	S	11/2015	McDaniel et al.	
D754,240	S	4/2016	Samuels et al.	
D756,234	S	5/2016	Orset	
D765,508	S	9/2016	Wu	
D772,659	S	11/2016	Middleton et al.	
D776,544	S	1/2017	Staab	
D786,086	S	5/2017	Miller et al.	
D786,674	S	5/2017	Miller et al.	
D786,683	S	5/2017	Miller et al.	
D792,233	S	7/2017	Miller et al.	
D813,032	S *	3/2018	Daley .....	D9/435
D820,083	S *	6/2018	Daley .....	D9/435
D820,103	S *	6/2018	Miller .....	D9/560
D820,104	S *	6/2018	Miller .....	D9/560
D820,105	S *	6/2018	Miller .....	D9/560
2001/0019033	A1	9/2001	Montgomery	
2004/0173562	A1	9/2004	Wolfe	
2006/0255041	A1	11/2006	Parks et al.	
2007/0034595	A1	2/2007	Foster et al.	
2009/0152229	A1	6/2009	Falzoni	
2009/0223985	A1	9/2009	Carmody et al.	
2009/0266736	A1	10/2009	Sprishen et al.	
2011/0049085	A1	3/2011	Lembke	
2011/0094990	A1	4/2011	Sprishen et al.	
2012/0152882	A1	6/2012	Tune	
2015/0329232	A1	11/2015	Brozell et al.	
2017/0057711	A1	3/2017	Miller et al.	
2018/0127174	A1 *	5/2018	Daley .....	A61J 1/1418
2018/0127175	A1 *	5/2018	Daley .....	A61J 1/1418

OTHER PUBLICATIONS

International Search Report and Written Opinion for PCT/US2017/059602, dated Feb. 1, 2018, 15 pgs.  
 Lulusoso, Perfume Bottle Cap, May 29, 2012, earliest online date, retrieved from <http://sell.lulusoso.com/selling-leads/1961487/Perfume-Bottle-Cap-Square-shape-Plastic-material.html>, Sep. 7, 2017, 7 pgs.  
 Murphy, "Unhappy Target customers send strong message on pill bottles," Sep. 27, 2016, retrieved from <https://medicalxpress.com/news/2016-09-unhappy-customers-strong-message-pill.html>, 4 pgs.

\* cited by examiner

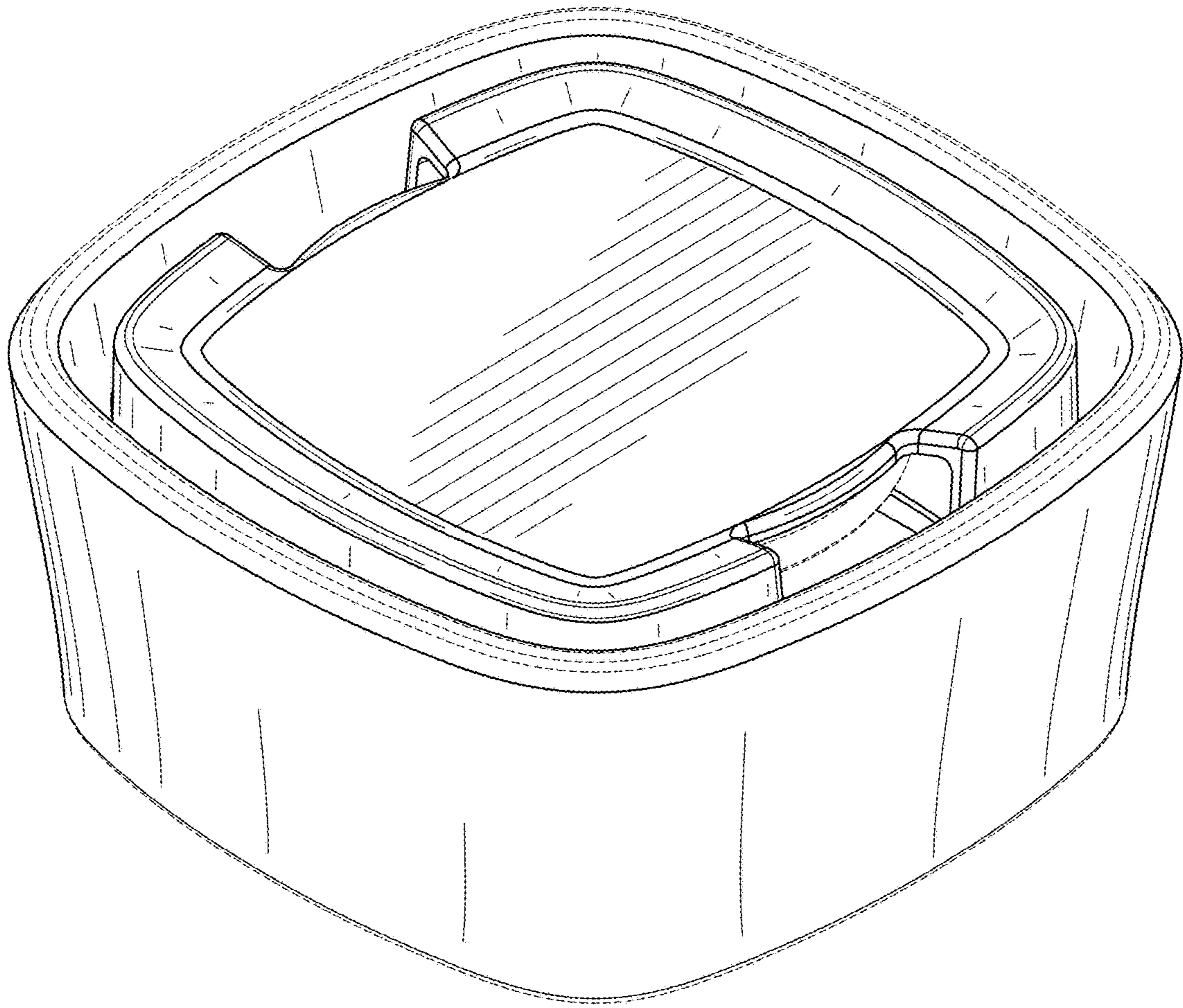


FIG. 1

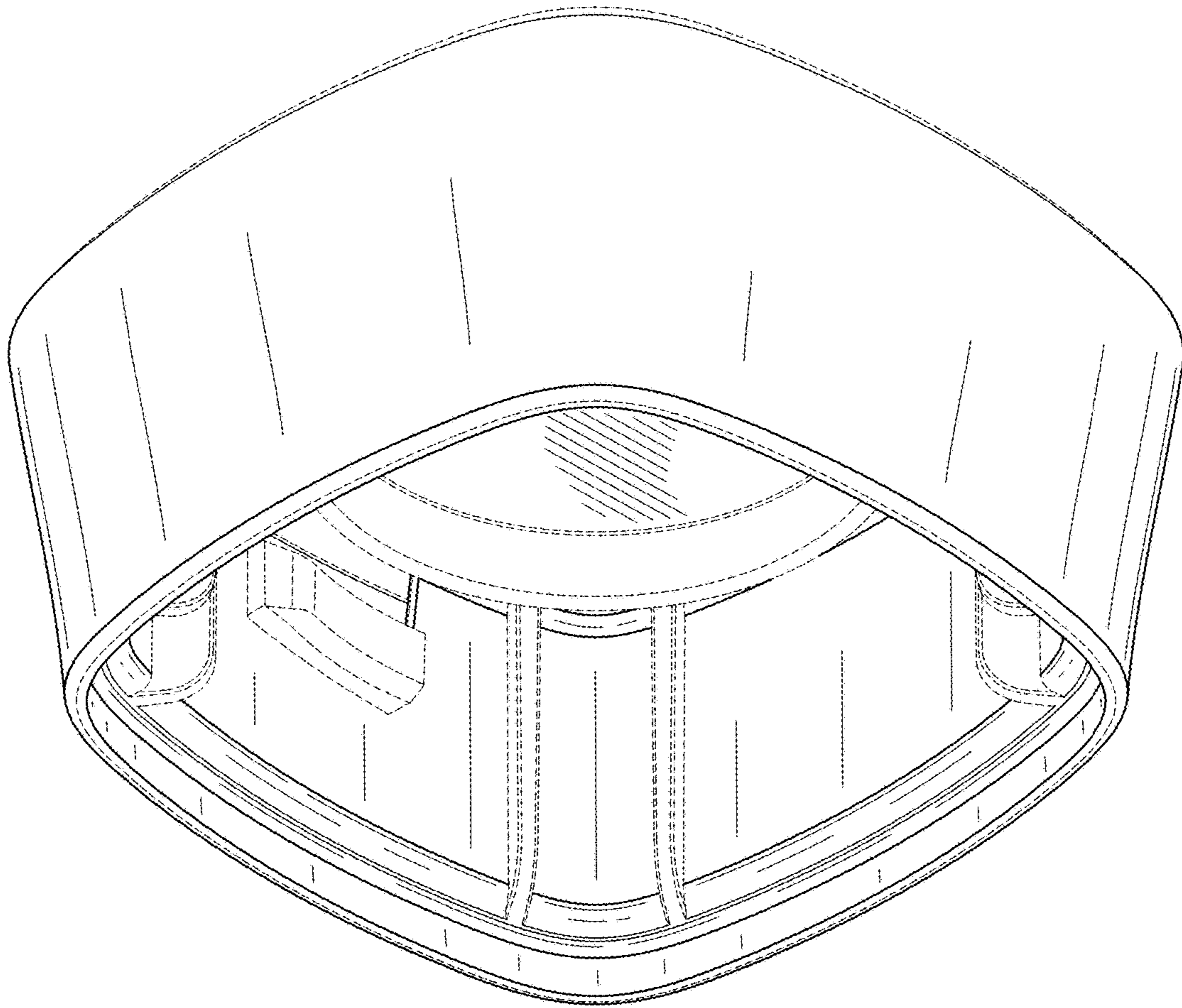


FIG. 2

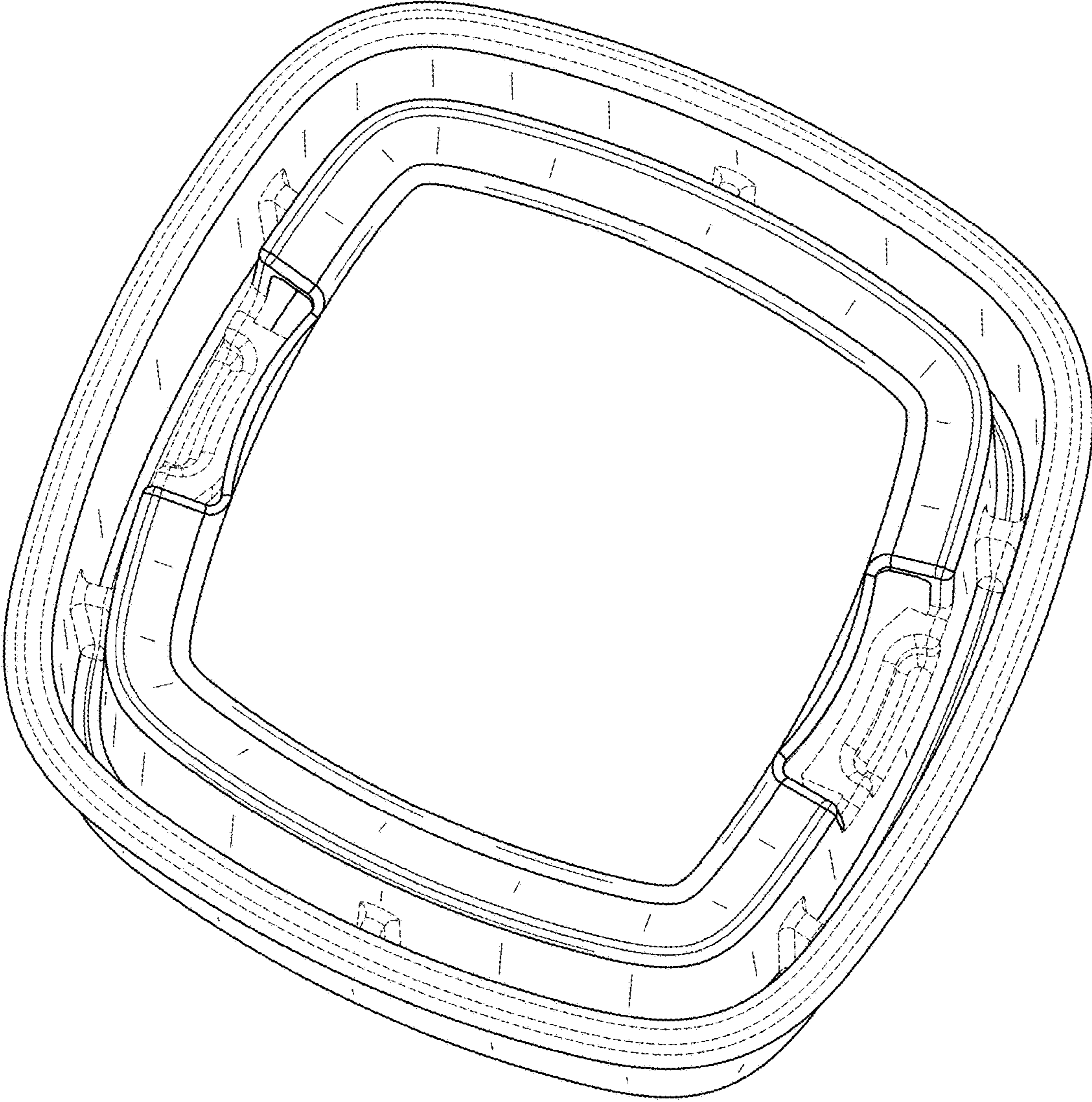


FIG. 3

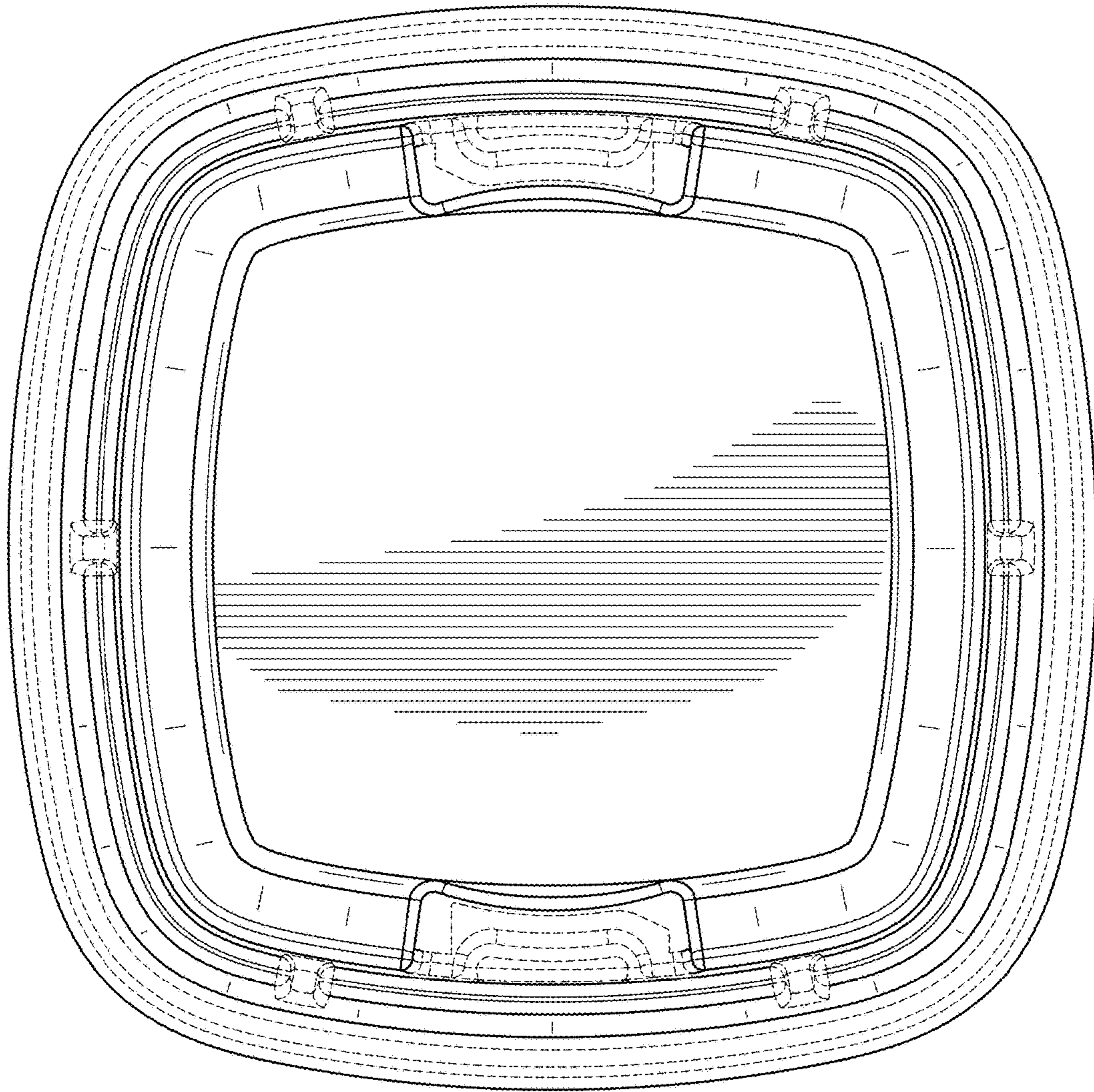


FIG. 4

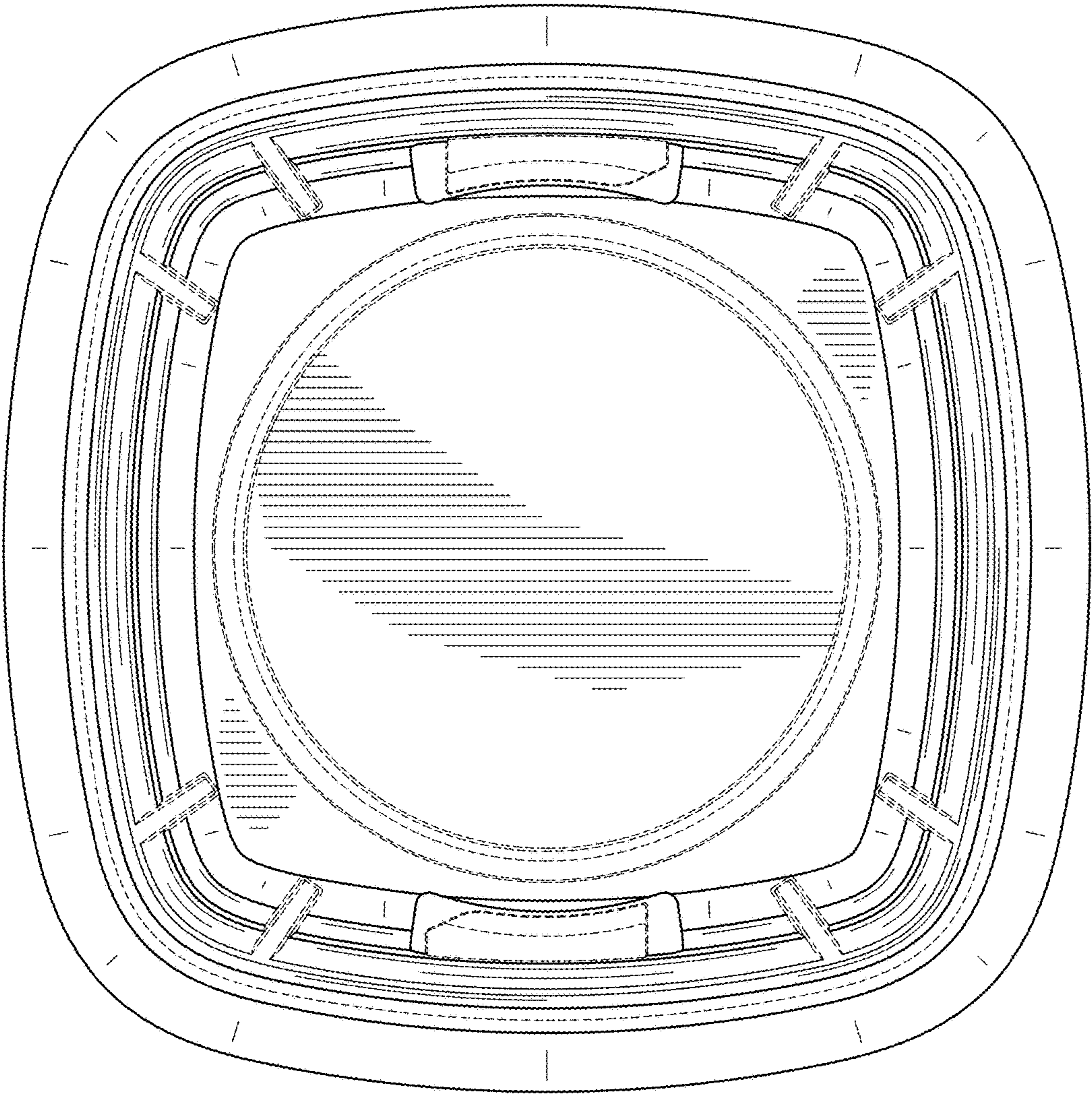


FIG. 5

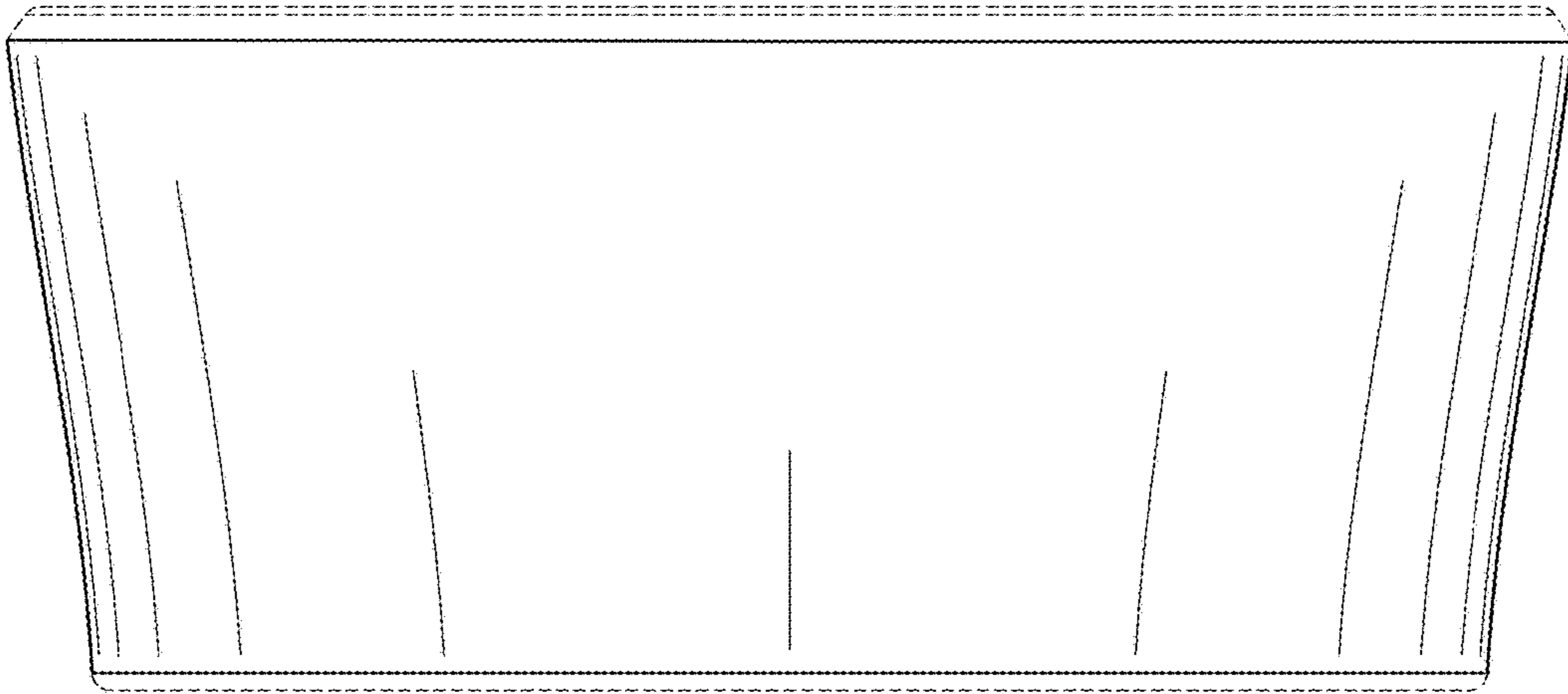


FIG. 6

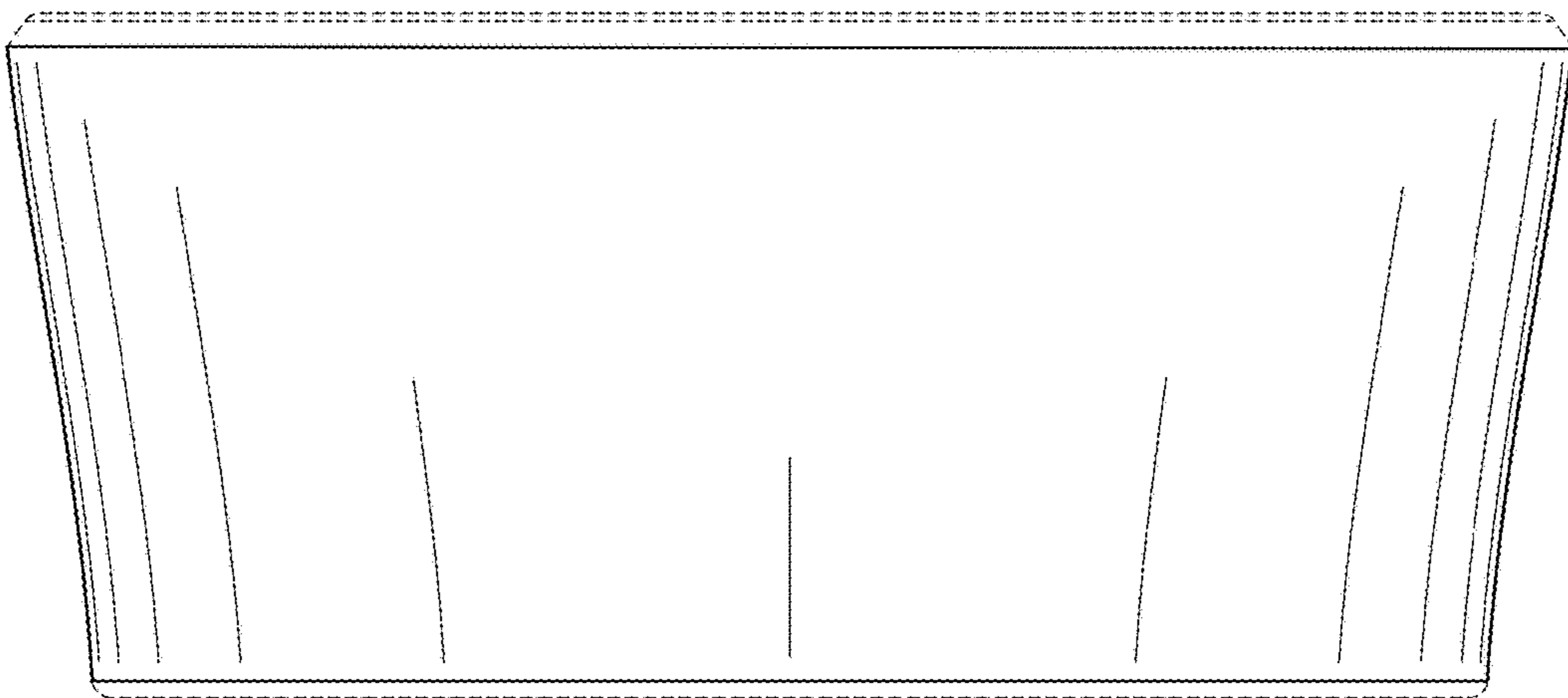


FIG. 7