



US00D843205S

(12) **United States Design Patent**
Penn

(10) **Patent No.:** **US D843,205 S**

(45) **Date of Patent:** **** Mar. 19, 2019**

(54) **CONTAINER**

(71) Applicant: **Good Foods Group, LLC**, Pleasant Prairie, WI (US)

(72) Inventor: **Kurt B. Penn**, Glenview, IL (US)

(73) Assignee: **Good Foods Group, LLC**, Pleasant Prairie, WI (US)

(**) Term: **15 Years**

(21) Appl. No.: **29/603,356**

(22) Filed: **May 9, 2017**

(51) **LOC (11) Cl.** **09-03**

(52) **U.S. Cl.**
USPC **D9/428**

(58) **Field of Classification Search**
USPC D7/396.1, 538-542, 602, 608, 629;
D9/414, 424-429, 432, 761; 206/499,
206/508, 557; 220/23.4, 23.6, 315, 500,
220/659, 669, 674, 675, 696, 752, 760,
220/790, 793; 229/105, 117.09, 117.26,
229/189, 406, 407, 902, 905
CPC ... B65D 1/34; B65D 1/36; B65D 1/40; B65D
25/04; B65D 43/00; B65D 43/02; B65D
81/34; B65D 81/3446; B65D 2543/00;
B65D 2581/34

See application file for complete search history.

(56) **References Cited**

U.S. PATENT DOCUMENTS

D235,302 S *	6/1975	Lanigan	220/574
D298,199 S *	10/1988	Finsilver	D7/538
D343,338 S *	1/1994	Bucher	D7/543
D418,415 S *	1/2000	Hayes	D7/545
D419,067 S *	1/2000	Guillin	D9/425
D466,762 S *	12/2002	Cote	D7/543
6,700,106 B2 *	3/2004	Cochran, II	B65D 1/34 219/725

D618,512 S *	6/2010	Kimmel	D7/554.2
D646,564 S *	10/2011	Freeman	D9/425
D743,251 S	11/2015	Penn	

* cited by examiner

Primary Examiner — Derrick E Holland

Assistant Examiner — Janice Patyk

(74) *Attorney, Agent, or Firm* — Cook Alex Ltd.; R. Blake Johnston

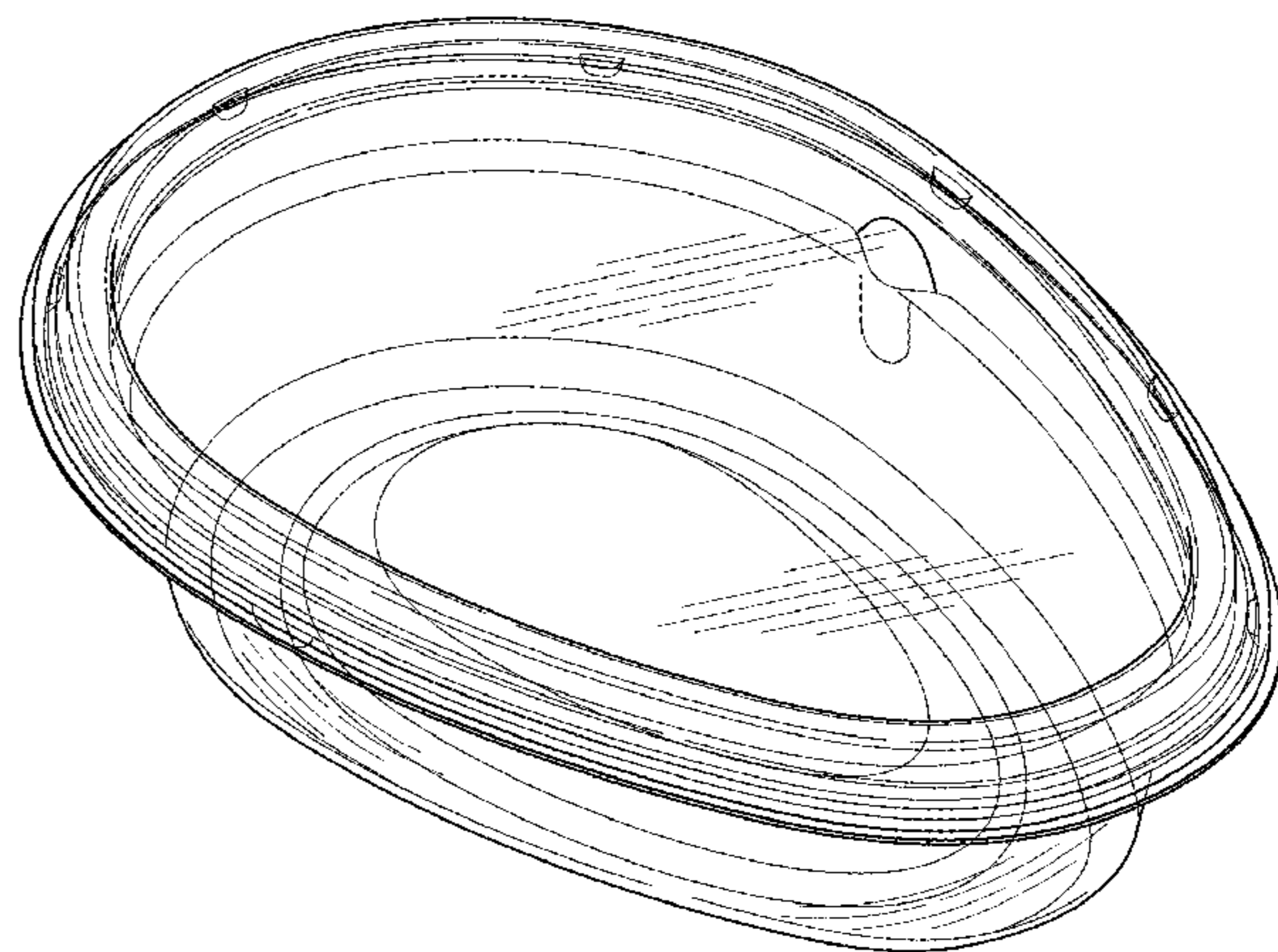
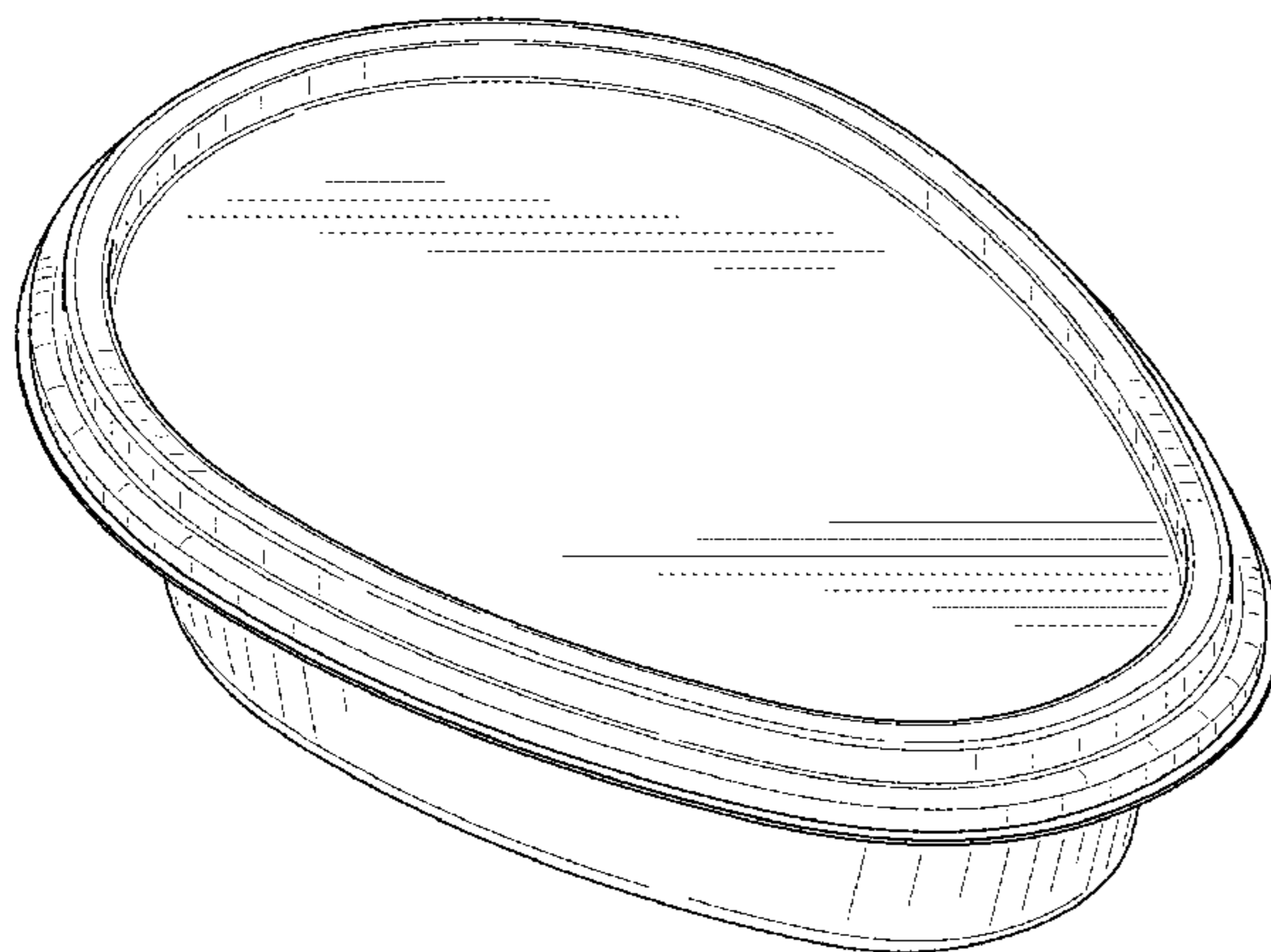
(57) **CLAIM**

The ornamental design for a container, as shown and described.

DESCRIPTION

FIG. 1 is a perspective view of embodiment one, of a container, showing my new design;
 FIG. 2 is an exploded perspective view thereof;
 FIG. 3 is a front elevational view thereof;
 FIG. 4 is a rear elevational view thereof;
 FIG. 5 is a left side elevational view thereof;
 FIG. 6 is a right side elevational view thereof;
 FIG. 7 is a top plan view thereof;
 FIG. 8 is a bottom plan view thereof;
 FIG. 9 is a perspective view of embodiment two, of a container, showing my new design;
 FIG. 10 is a perspective view of embodiment three, of a container, showing my new design;
 FIG. 11 is a front elevational view thereof;
 FIG. 12 is a rear elevational view thereof;
 FIG. 13 is a left side elevational view thereof;
 FIG. 14 is a right side elevational view thereof;
 FIG. 15 is a top plan view thereof;
 FIG. 16 is a bottom plan view thereof; and,
 FIG. 17 is a perspective view of embodiment four, of a container, showing my new design.
 The broken lines in the figures illustrate the portions of the design that form no part of the claimed design.

1 Claim, 13 Drawing Sheets



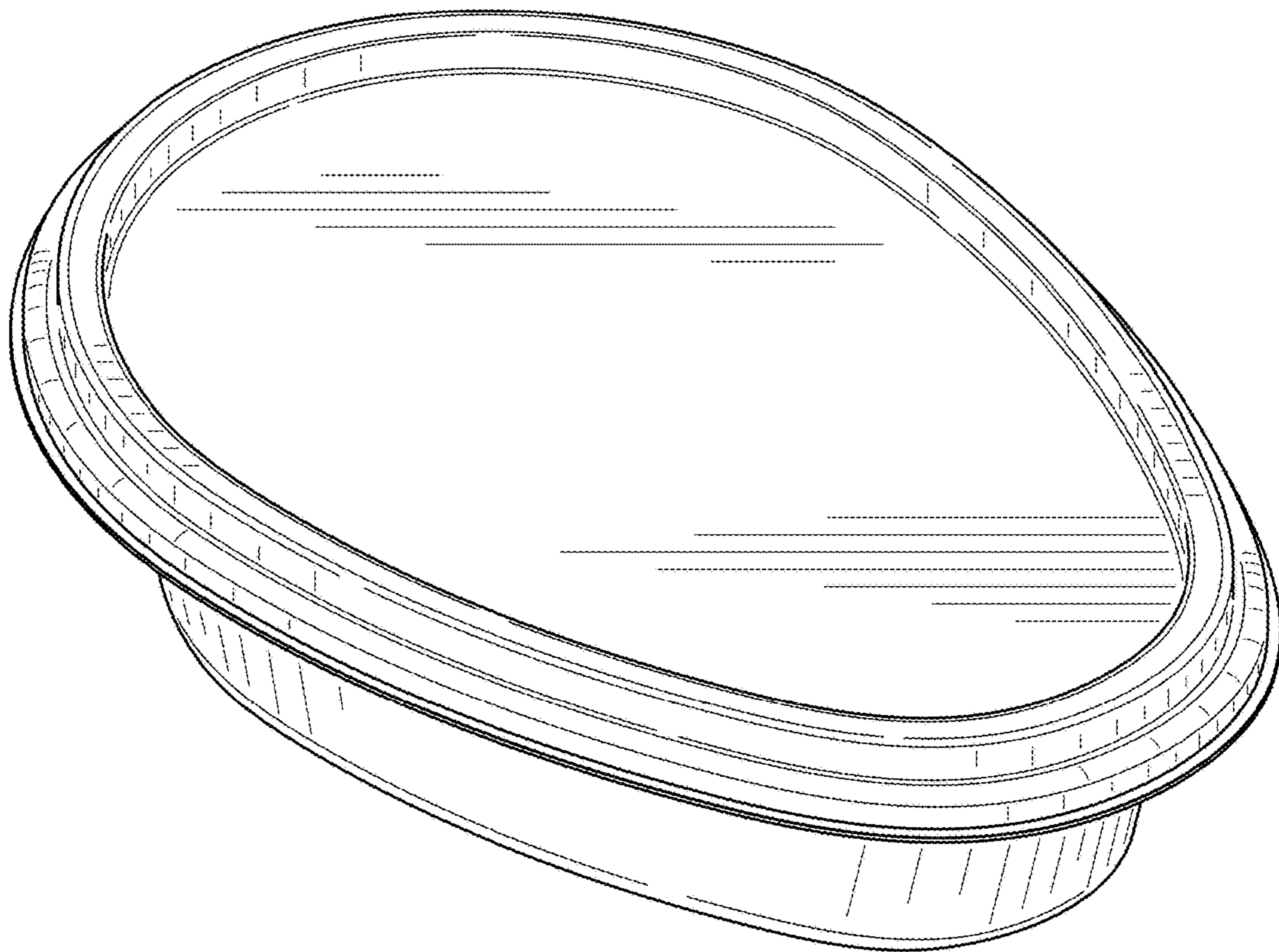


FIG. 1

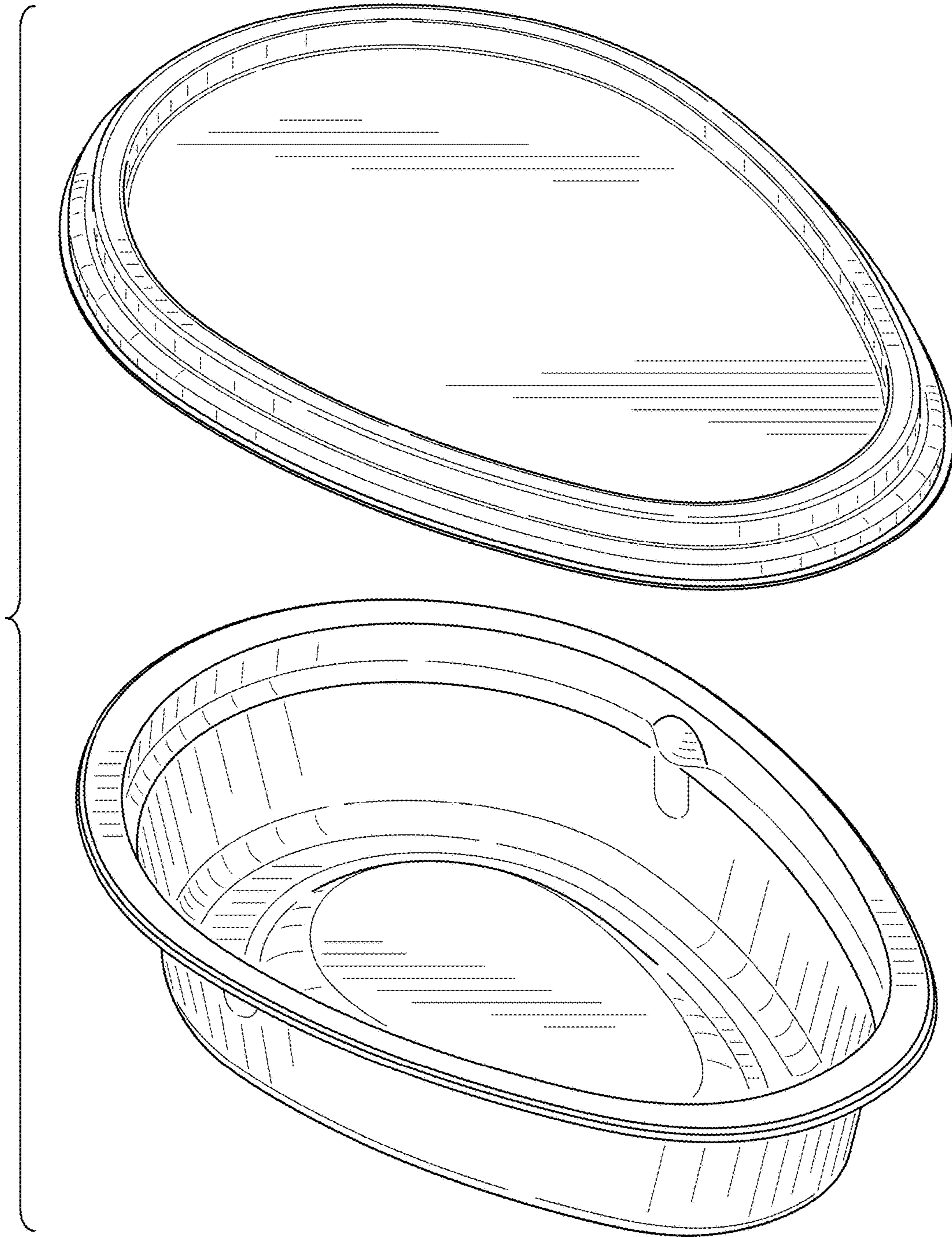


FIG. 2

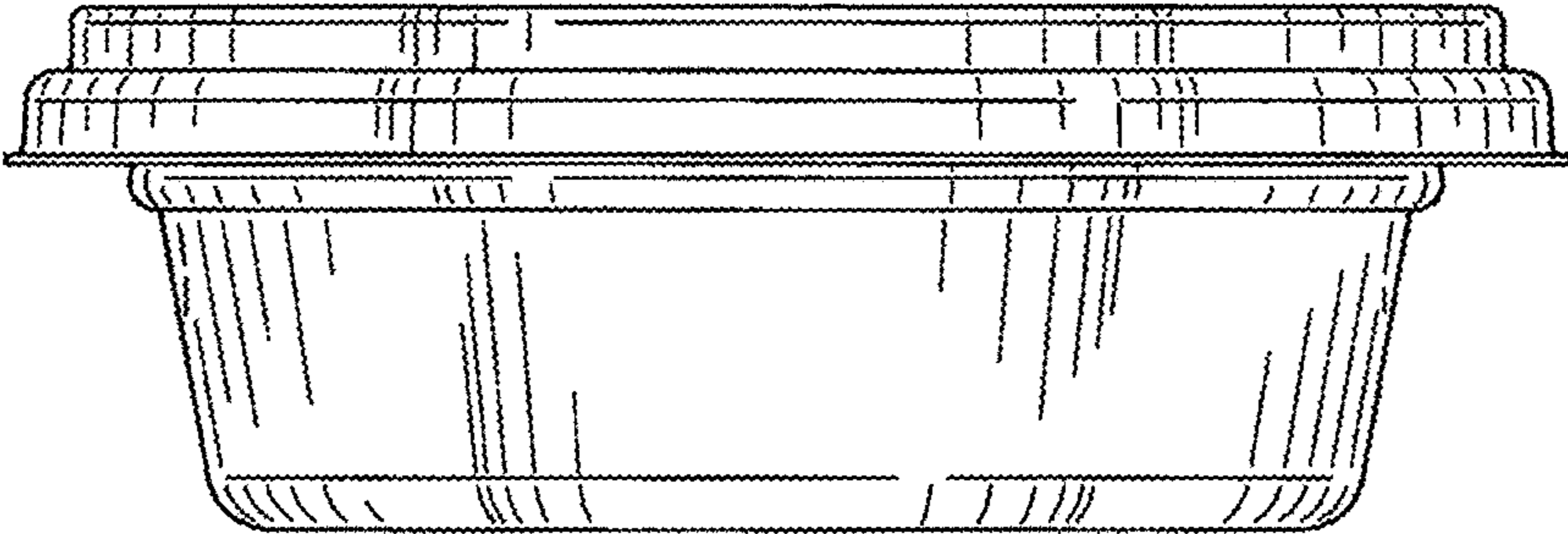


FIG. 3

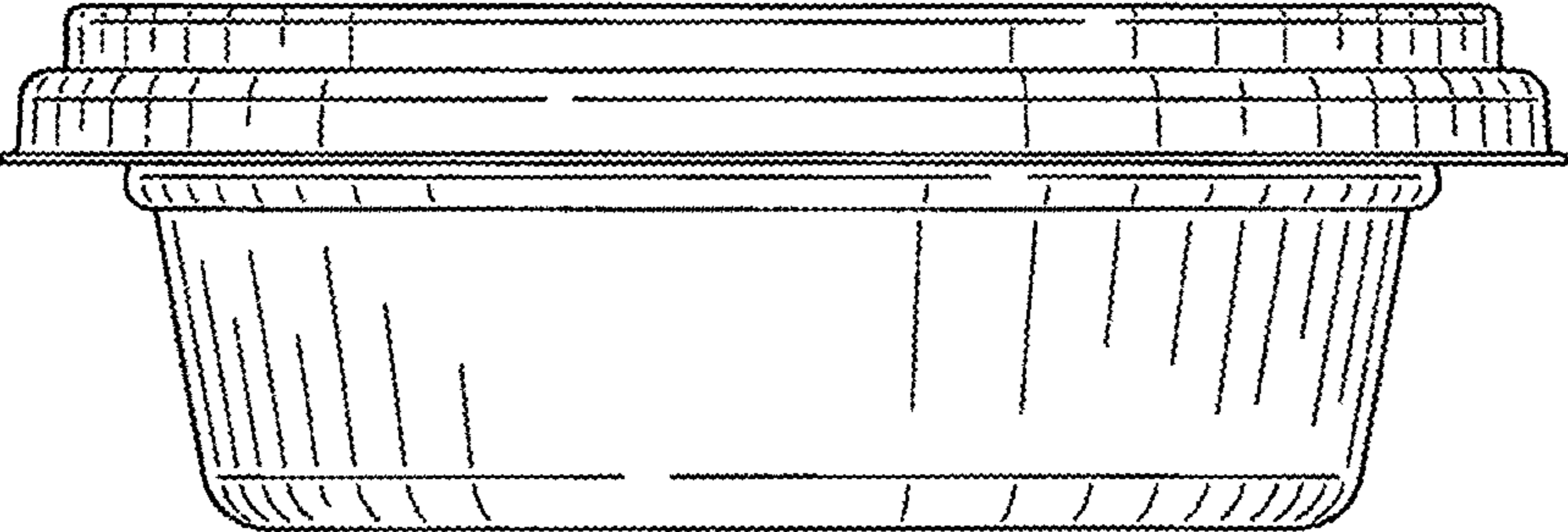


FIG. 4

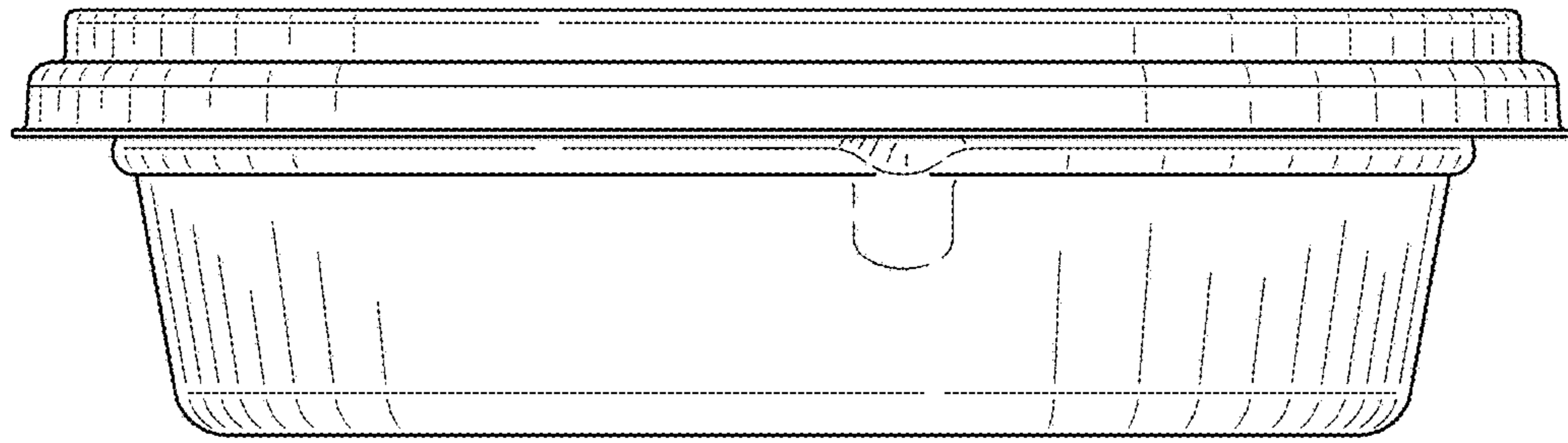


FIG. 5

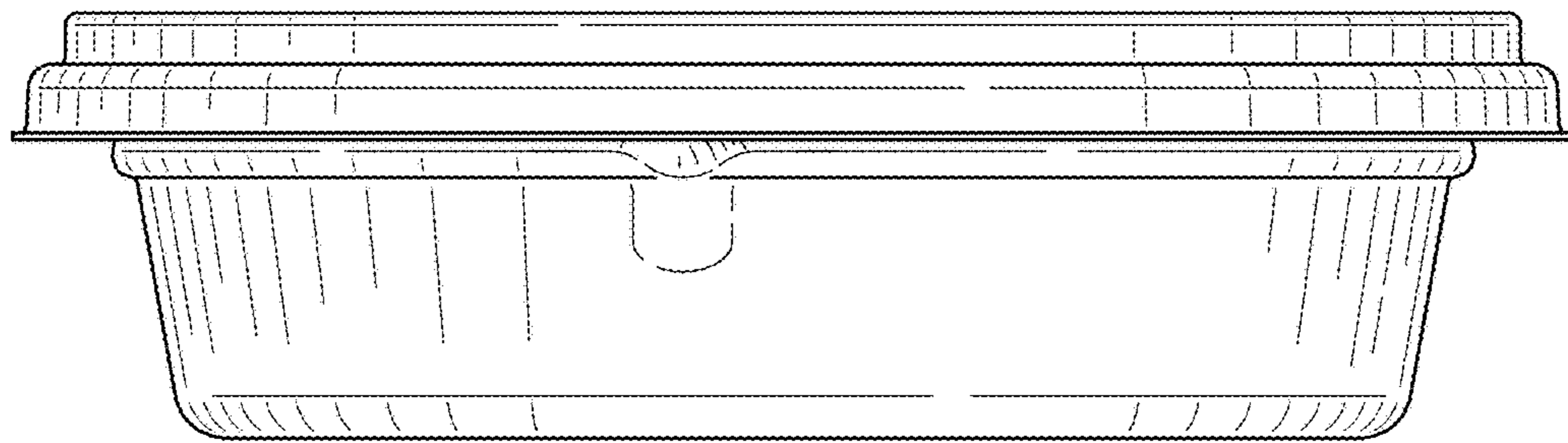


FIG. 6

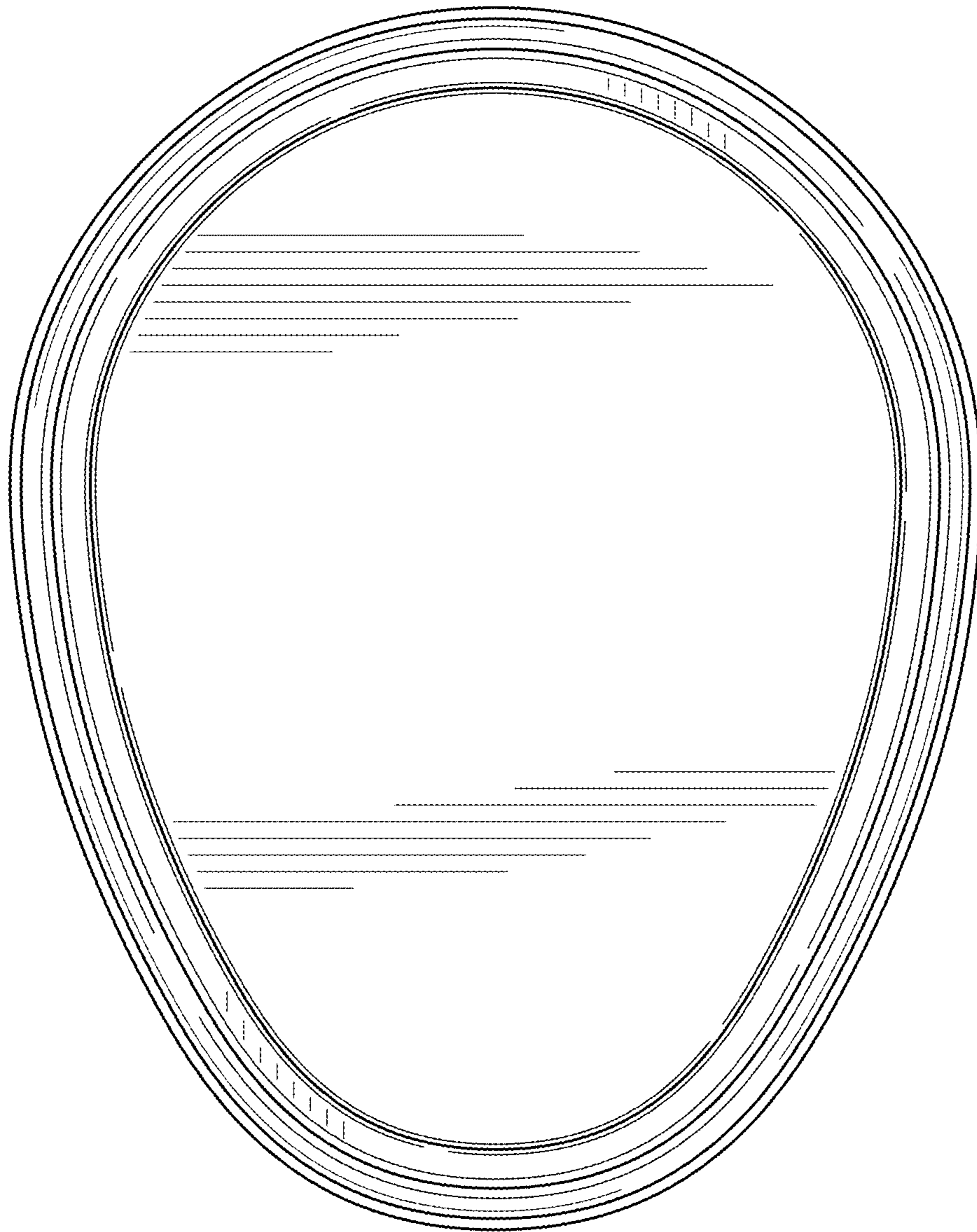


FIG. 7

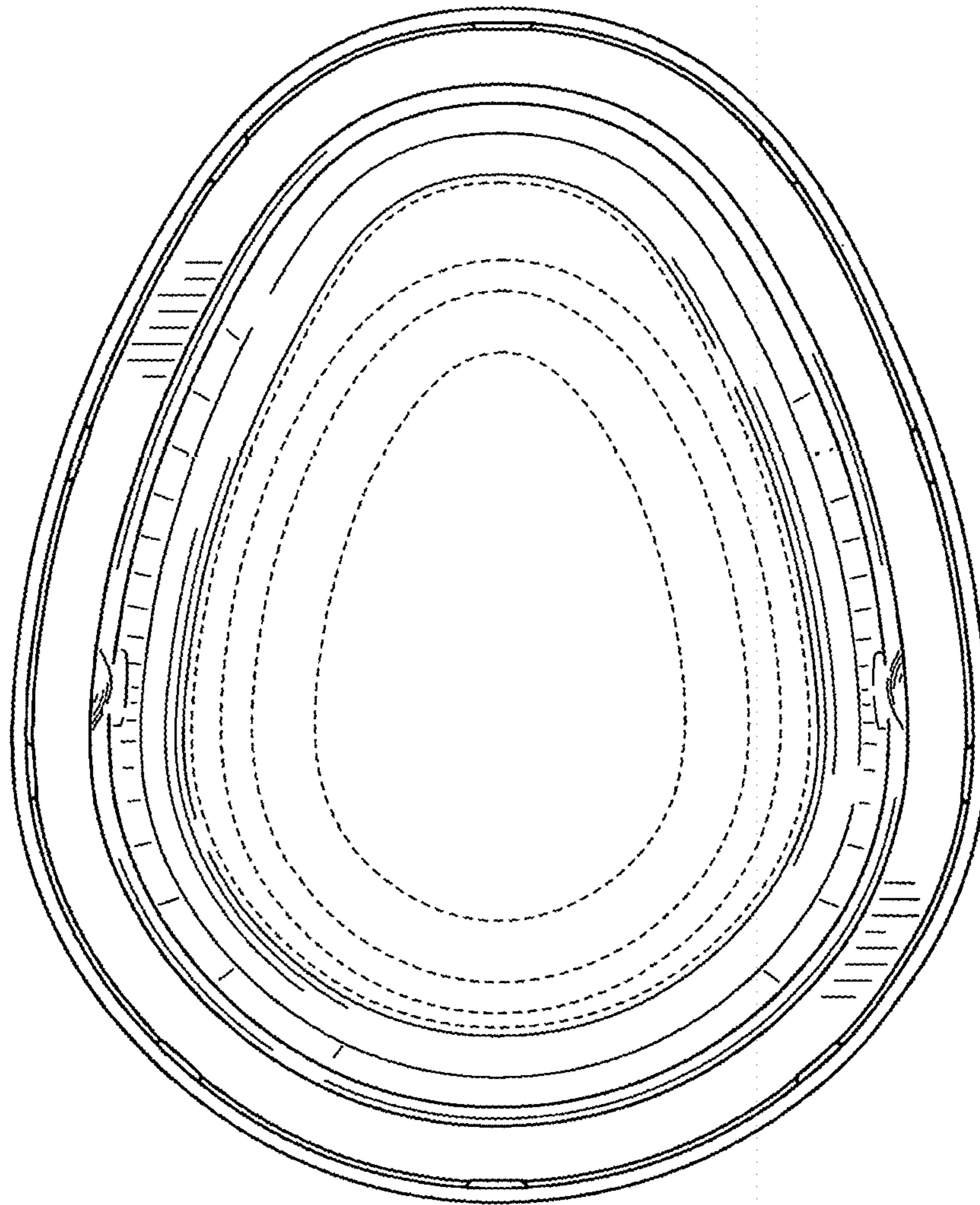


FIG. 8

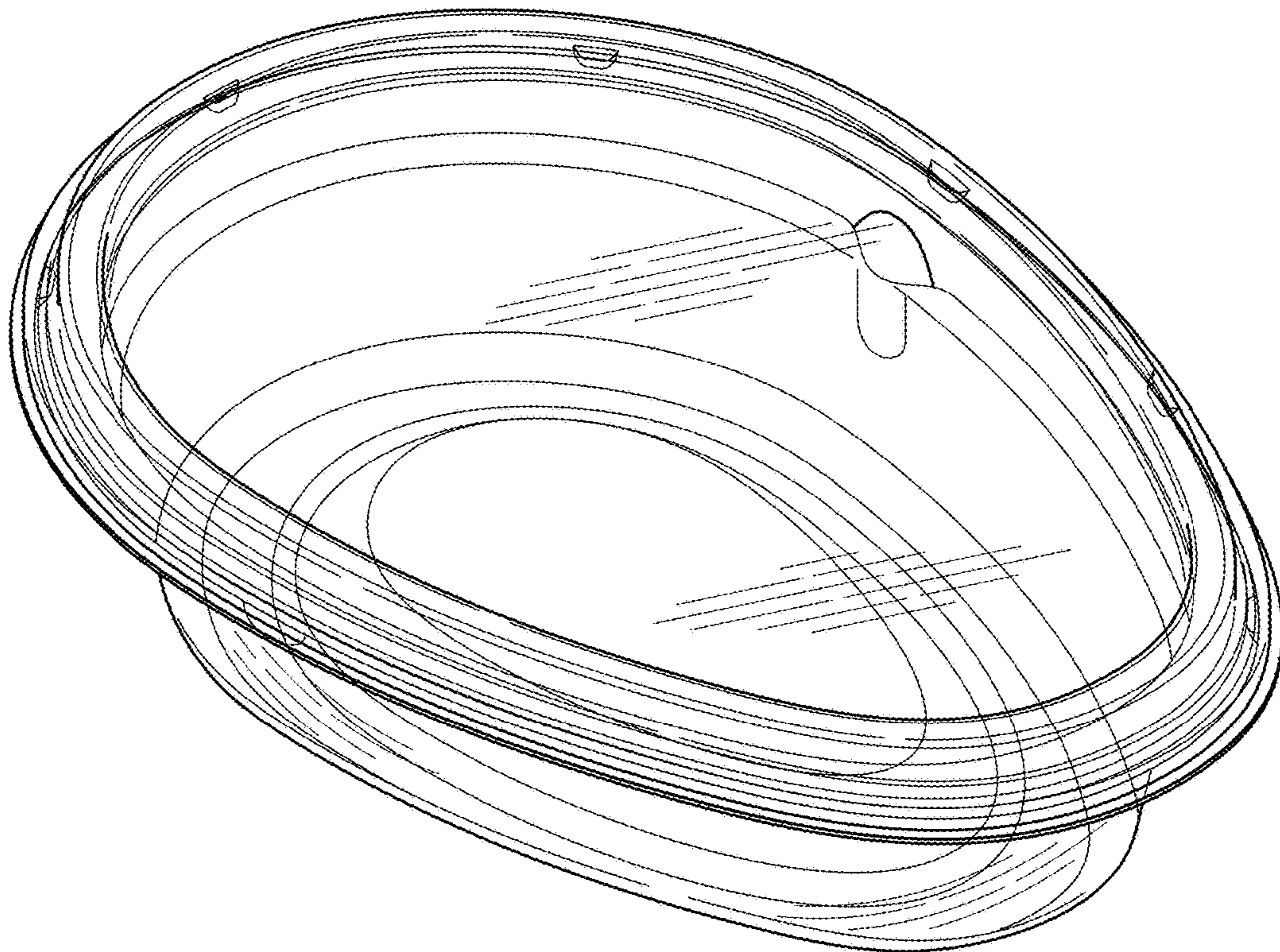


FIG. 9

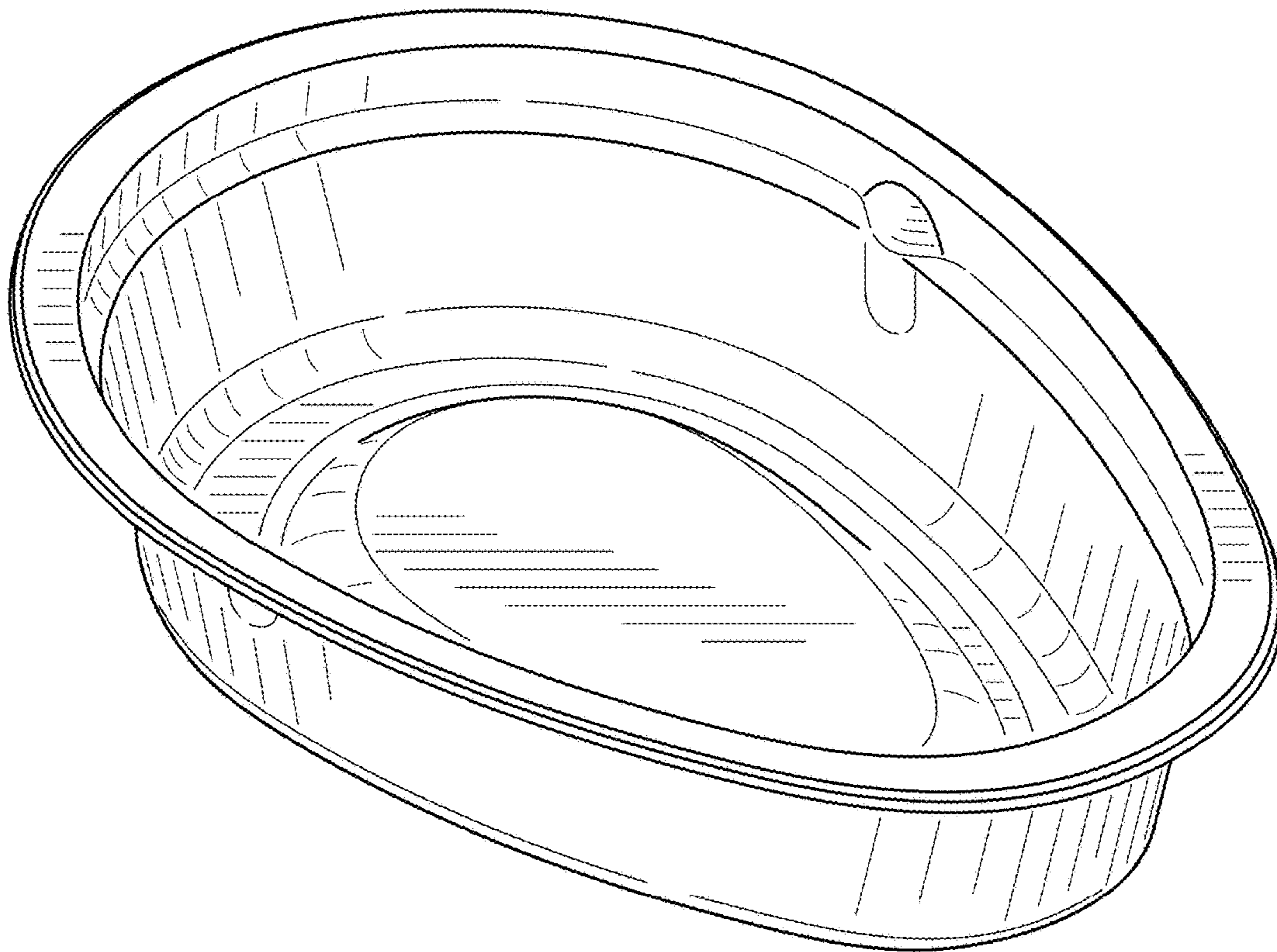


FIG. 10

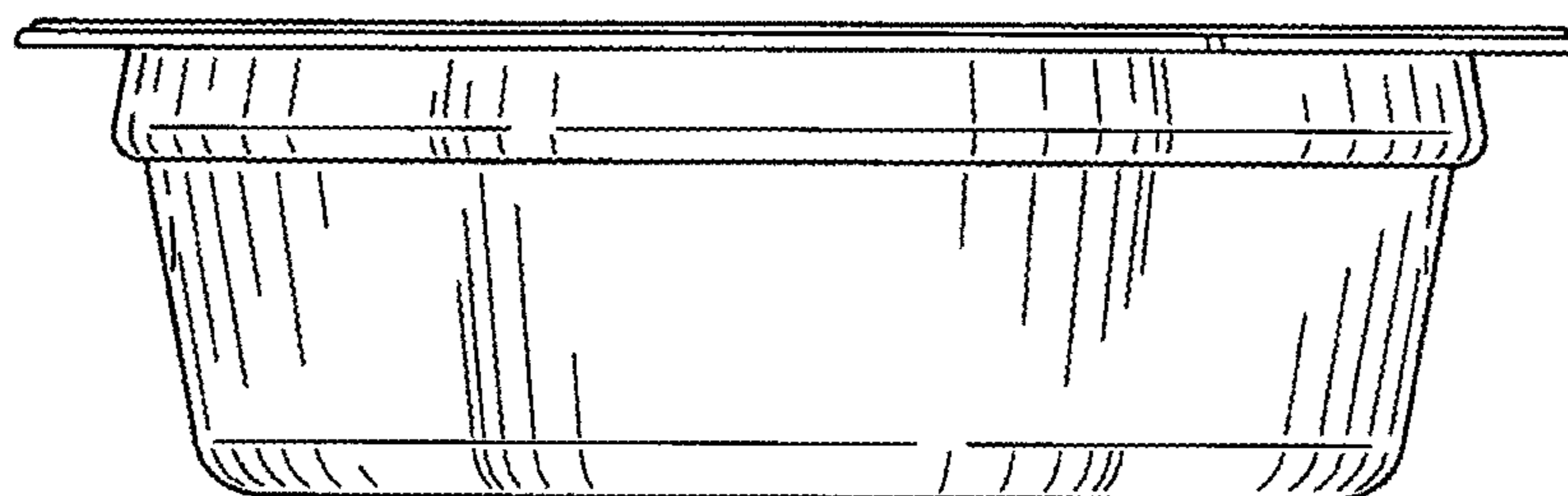


FIG. 11

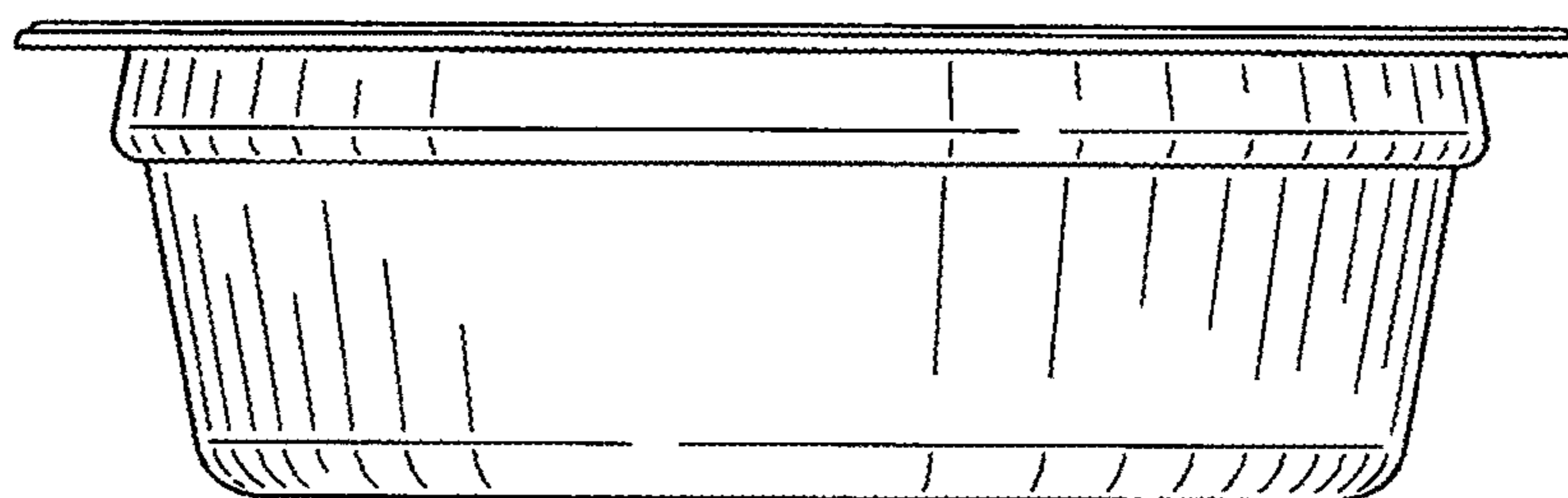


FIG. 12

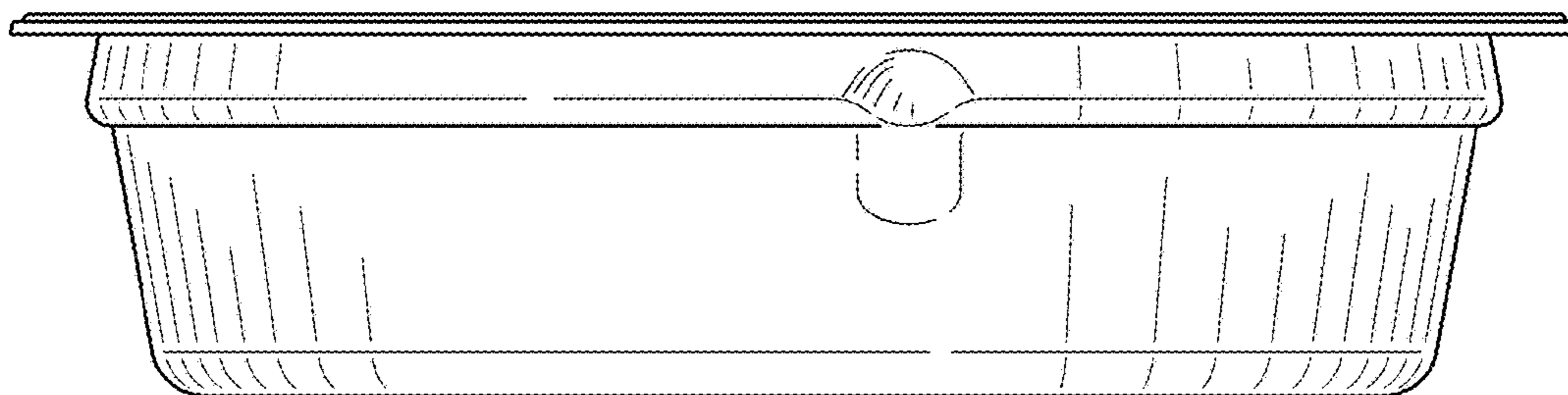


FIG. 13

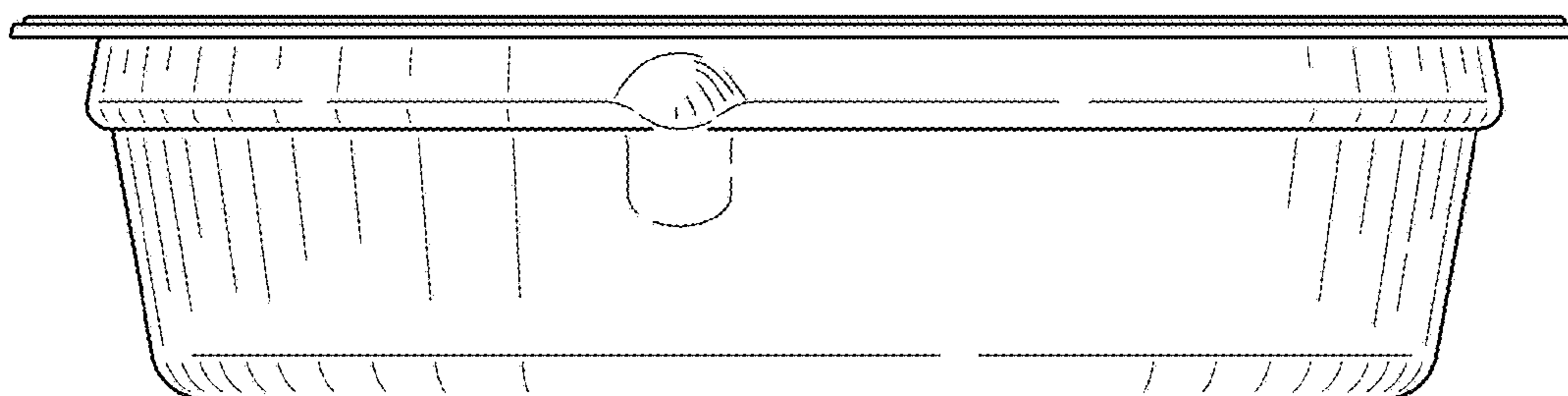


FIG. 14

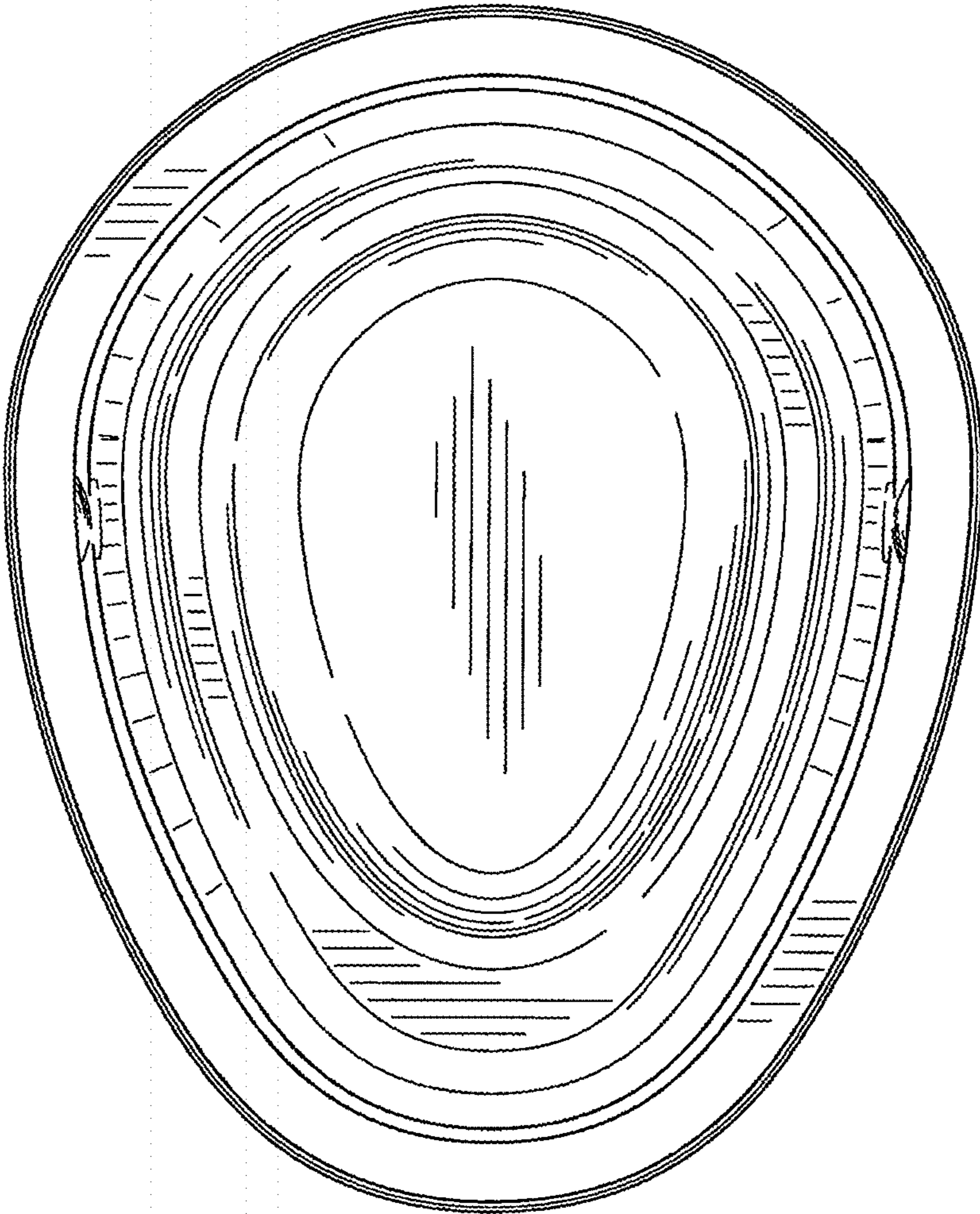


FIG. 15

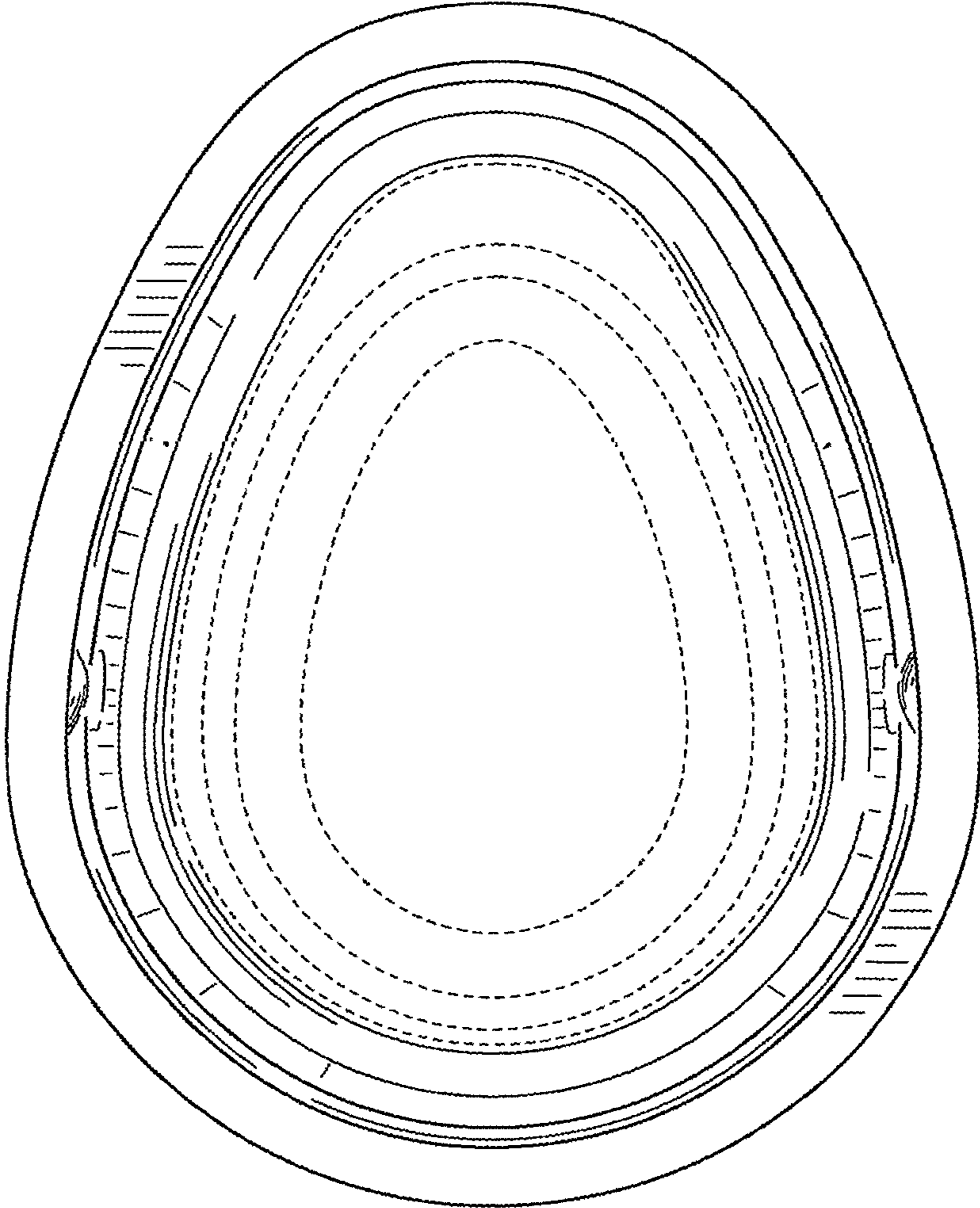


FIG. 16

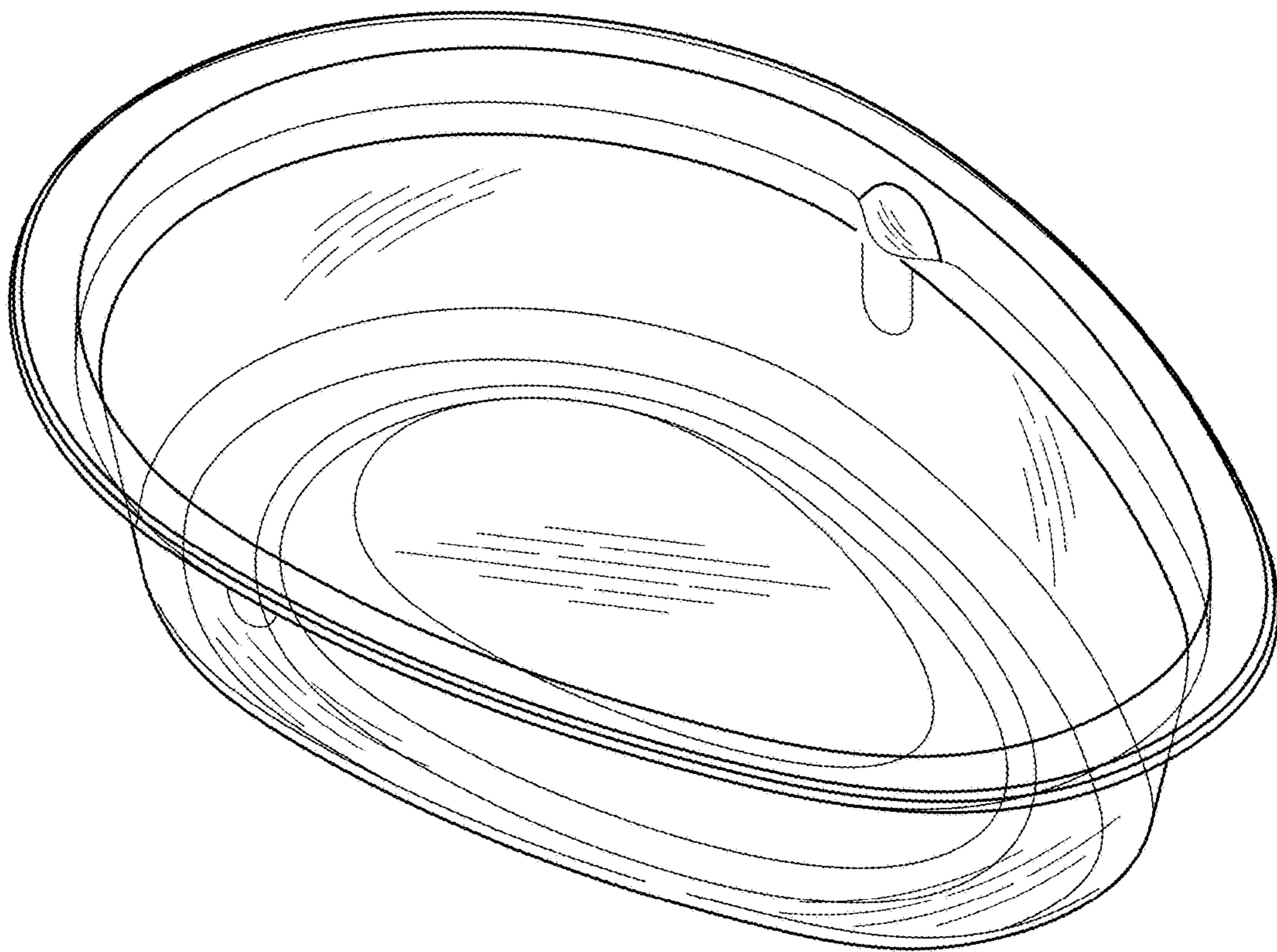


FIG. 17