

US00D843204S

(12) **United States Design Patent**  
**Raphaelson et al.**

(10) **Patent No.:** **US D843,204 S**

(45) **Date of Patent:** **\*\* \*Mar. 19, 2019**

(54) **BEVERAGE CARTRIDGE**

(71) Applicant: **Bedford Systems LLC**, Bedford, MA (US)

(72) Inventors: **Steven Raphaelson**, Watertown, MA (US); **Michael Sack**, North Reading, MA (US); **Enrico Raffaele Cafaro**, Beverly, MA (US); **Ralph K. Maider**, Milton, MA (US)

(73) Assignee: **Bedford Systems LLC**, Bedford, MA (US)

(\*) Notice: This patent is subject to a terminal disclaimer.

(\*\*) Term: **15 Years**

(21) Appl. No.: **29/541,202**

(22) Filed: **Oct. 1, 2015**

**Related U.S. Application Data**

(62) Division of application No. 29/506,803, filed on Oct. 20, 2014, now Pat. No. Des. 746,676.

(51) **LOC (11) Cl.** ..... **09-03**

(52) **U.S. Cl.**  
USPC ..... **D9/428; D7/400**

(58) **Field of Classification Search**

USPC ..... D9/414, 423-426, 428, 431; D7/373, D7/399, 400, 503, 513, 527, 541, 542, D7/545, 566, 586, 587, 601, 602, 612, D7/615, 619.1, 629, 630, 624.3; D3/202, D3/203.3, 302, 304; D11/152, 153  
CPC ..... B65D 85/8043; B65D 85/8046; B65D 2565/385; B65D 2575/583; B65D 25/08; B65D 47/283; B65D 53/02; B65D 75/5883; B65D 81/18; B65D 81/3227; B65D 85/70; B65D 2081/001; B65D 81/3277; B65D 81/3238

See application file for complete search history.

(56) **References Cited**

U.S. PATENT DOCUMENTS

D288,057 S 2/1987 Webster  
D474,111 S \* 5/2003 Lazaris ..... D9/425  
D513,152 S 12/2005 Cahen  
D519,831 S 5/2006 de Cleir et al.  
D539,643 S 4/2007 Abel

(Continued)

*Primary Examiner* — Ian Simmons

*Assistant Examiner* — Keith Frank

(74) *Attorney, Agent, or Firm* — Dorsey & Whitney LLP

(57) **CLAIM**

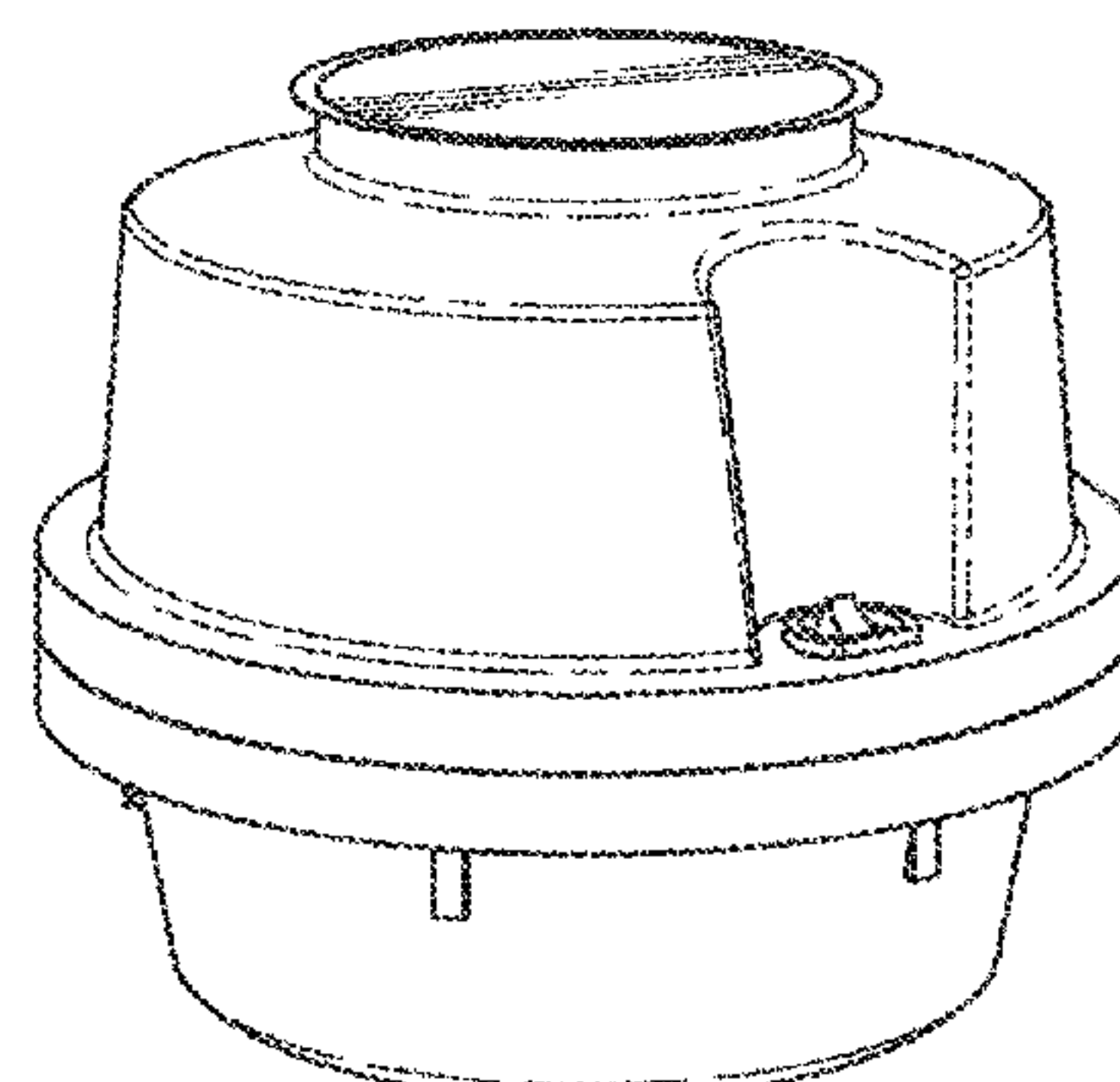
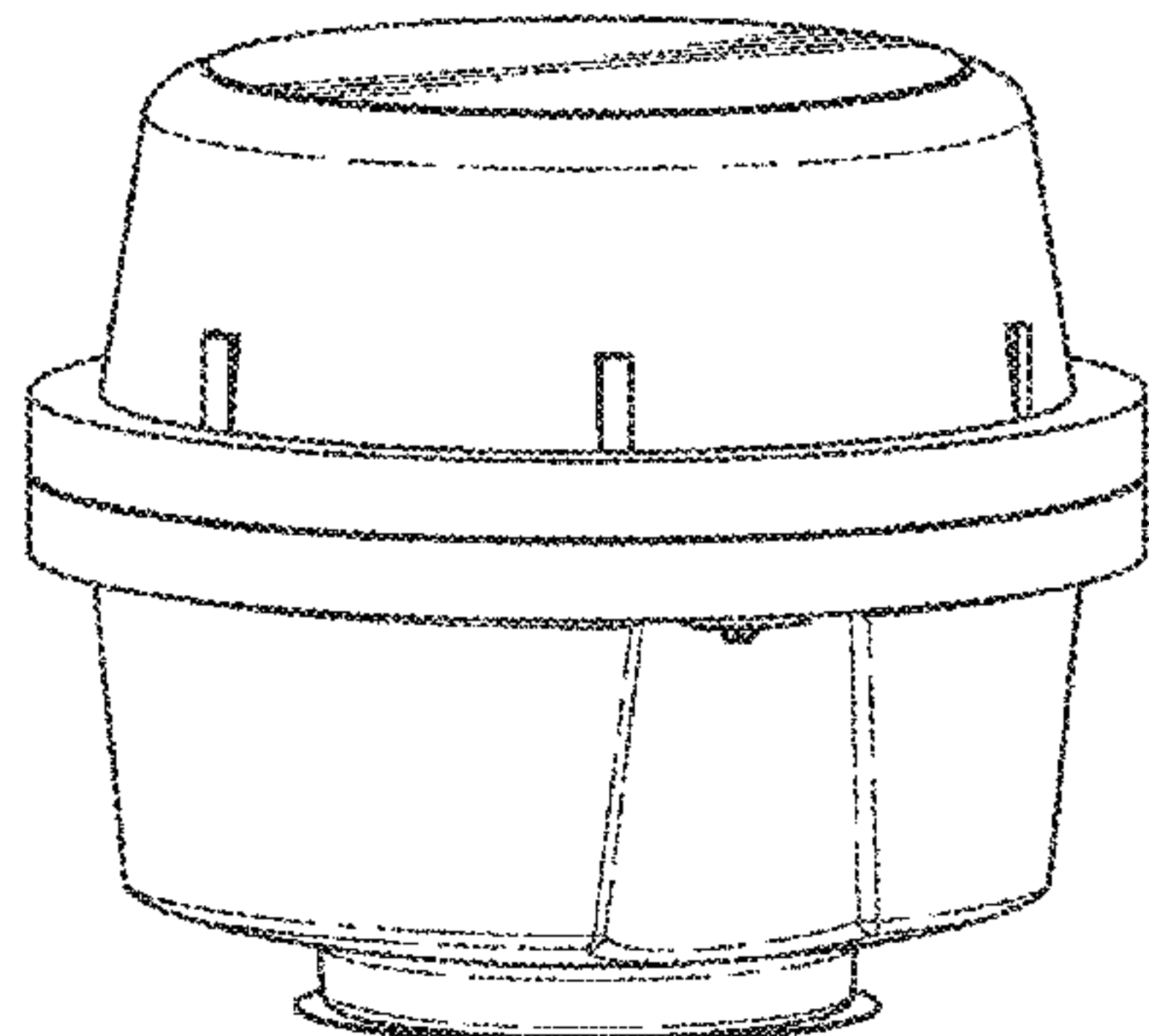
The ornamental design for a beverage cartridge, as shown and described.

**DESCRIPTION**

FIG. 1 is a top, front, left perspective view of a beverage cartridge showing a first embodiment of our new design; FIG. 2 is a bottom, front, right perspective view thereof; FIG. 3 is a front elevational view thereof; FIG. 4 is a rear elevational view thereof; FIG. 5 is a left side elevational view thereof; FIG. 6 is a right side elevational view thereof; FIG. 7 is a top plan view thereof; FIG. 8 is a bottom plan view thereof; FIG. 9 is a top, front, left perspective view of a second embodiment thereof; FIG. 10 is a bottom, front, right perspective view of FIG. 9; FIG. 11 is a front elevational view of FIG. 9; FIG. 12 is a rear elevational view of FIG. 9; FIG. 13 is a left side elevational view of FIG. 9; FIG. 14 is a right side elevational view of FIG. 9; FIG. 15 is a top plan view of FIG. 9; and, FIG. 16 is a bottom plan view of FIG. 9.

The broken lines in the drawings depict unclaimed subject matter only and form no part of the claimed design.

**1 Claim, 8 Drawing Sheets**



(56)

References Cited

U.S. PATENT DOCUMENTS

D587,995 S 3/2009 Studee  
 D600,975 S 9/2009 Lin  
 D605,502 S 12/2009 Honda et al.  
 D621,698 S \* 8/2010 Cometto ..... D9/424  
 D628,883 S 12/2010 Stephens  
 D642,068 S 7/2011 Milewski et al.  
 D644,924 S 9/2011 Lin  
 D682,675 S 5/2013 Rapparini  
 D689,768 S 9/2013 Inderbitzin  
 D697,797 S 1/2014 Hansen  
 D703,035 S 4/2014 Zanetti  
 D703,039 S 4/2014 Hansen  
 D708,057 S 7/2014 Hansen  
 D716,648 S 11/2014 Tan  
 8,956,672 B2 2/2015 Yoakim et al.  
 D727,141 S 4/2015 Mastropasqua et al.  
 D737,677 S \* 9/2015 Yunker ..... D9/428  
 D737,691 S \* 9/2015 Abbott ..... D9/428  
 D745,386 S \* 12/2015 Covey ..... D9/416  
 D749,411 S \* 2/2016 Corsetti ..... D9/503  
 D750,482 S \* 3/2016 Rapparini ..... D9/500  
 D751,457 S \* 3/2016 Pettigrew ..... D11/152  
 9,364,018 B1 \* 6/2016 Peterson ..... A23L 2/54

9,469,471 B2 \* 10/2016 Dran ..... B65D 85/8043  
 D771,434 S \* 11/2016 Burrows ..... D7/399  
 D776,525 S \* 1/2017 Trombetta ..... D9/429  
 D779,875 S \* 2/2017 Gross ..... D7/397  
 2002/0020659 A1 2/2002 Sweeney et al.  
 2009/0007793 A1 \* 1/2009 Glucksman ..... B65D 85/8043  
 99/287  
 2011/0111098 A1 5/2011 Ricotti  
 2014/0087028 A1 3/2014 Orsi  
 2015/0017290 A1 1/2015 Rondelli  
 2015/0037470 A1 2/2015 Zweed et al.  
 2015/0183576 A1 \* 7/2015 Vanni ..... B65D 85/8046  
 426/115  
 2015/0203285 A1 \* 7/2015 Baldo ..... A47J 31/407  
 426/112  
 2015/0284179 A1 \* 10/2015 Kohli ..... B65D 85/8043  
 426/115  
 2015/0327713 A1 \* 11/2015 Pruitt ..... B65D 85/8046  
 99/295  
 2016/0068334 A1 \* 3/2016 Cafaro ..... B65D 85/8043  
 426/115  
 2016/0304272 A1 \* 10/2016 Ertur ..... B65D 25/04  
 2017/0020328 A1 \* 1/2017 Magniet ..... A47J 31/369  
 2017/0029204 A1 \* 2/2017 Rondelli ..... B65D 85/8043  
 2017/0036855 A1 \* 2/2017 Bartoli ..... B65D 85/8043

\* cited by examiner

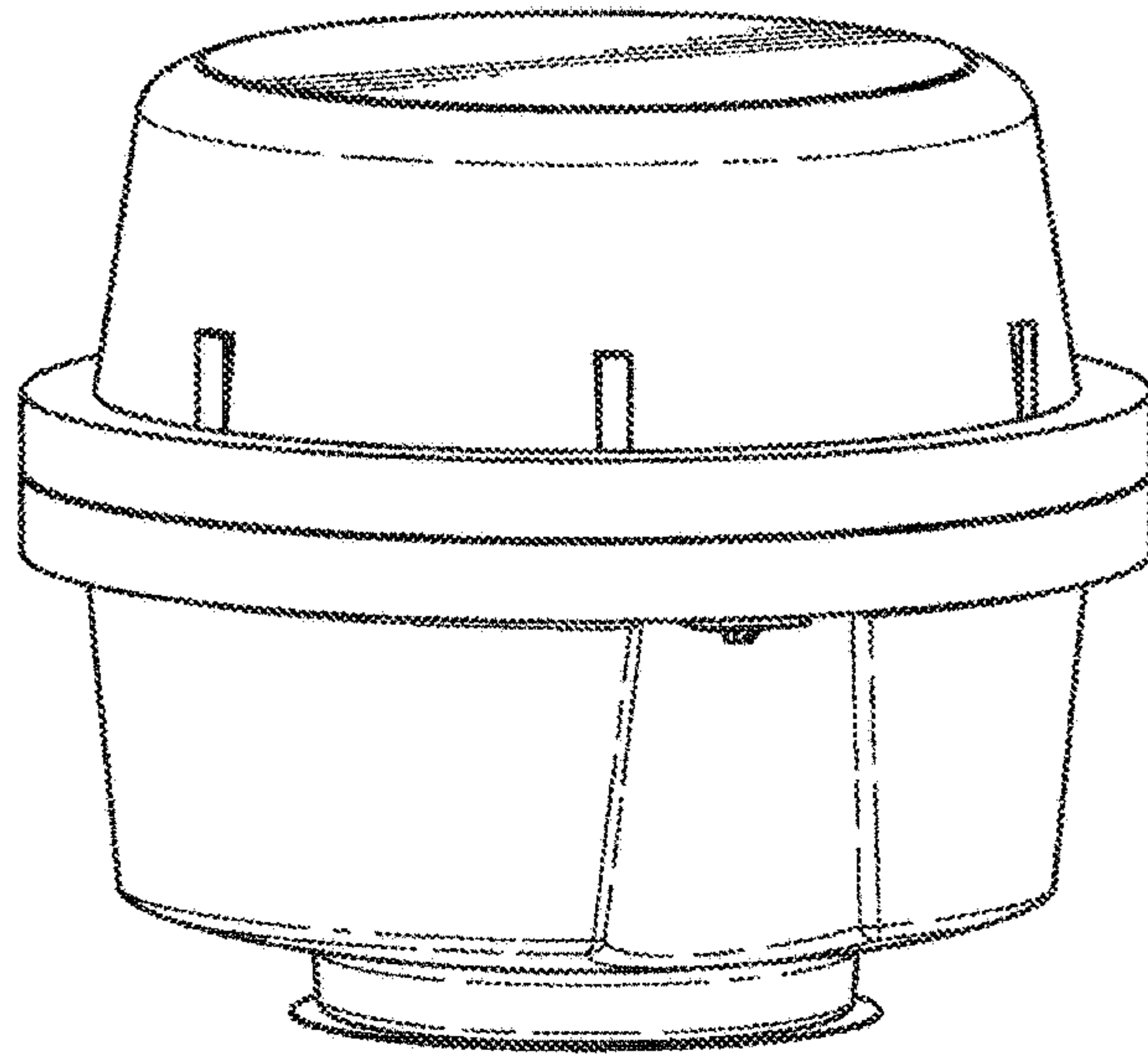


FIG. 1

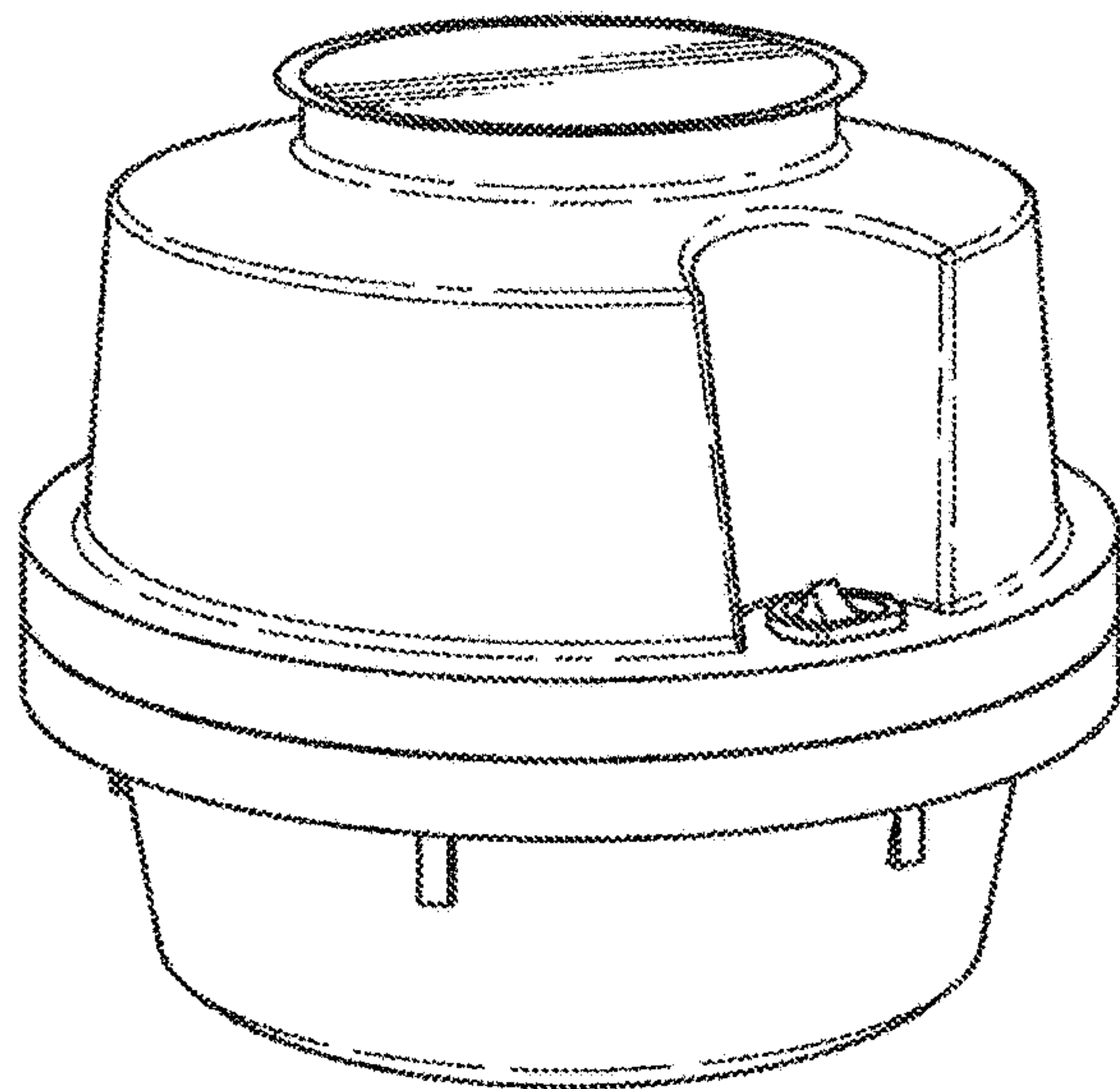


FIG. 2

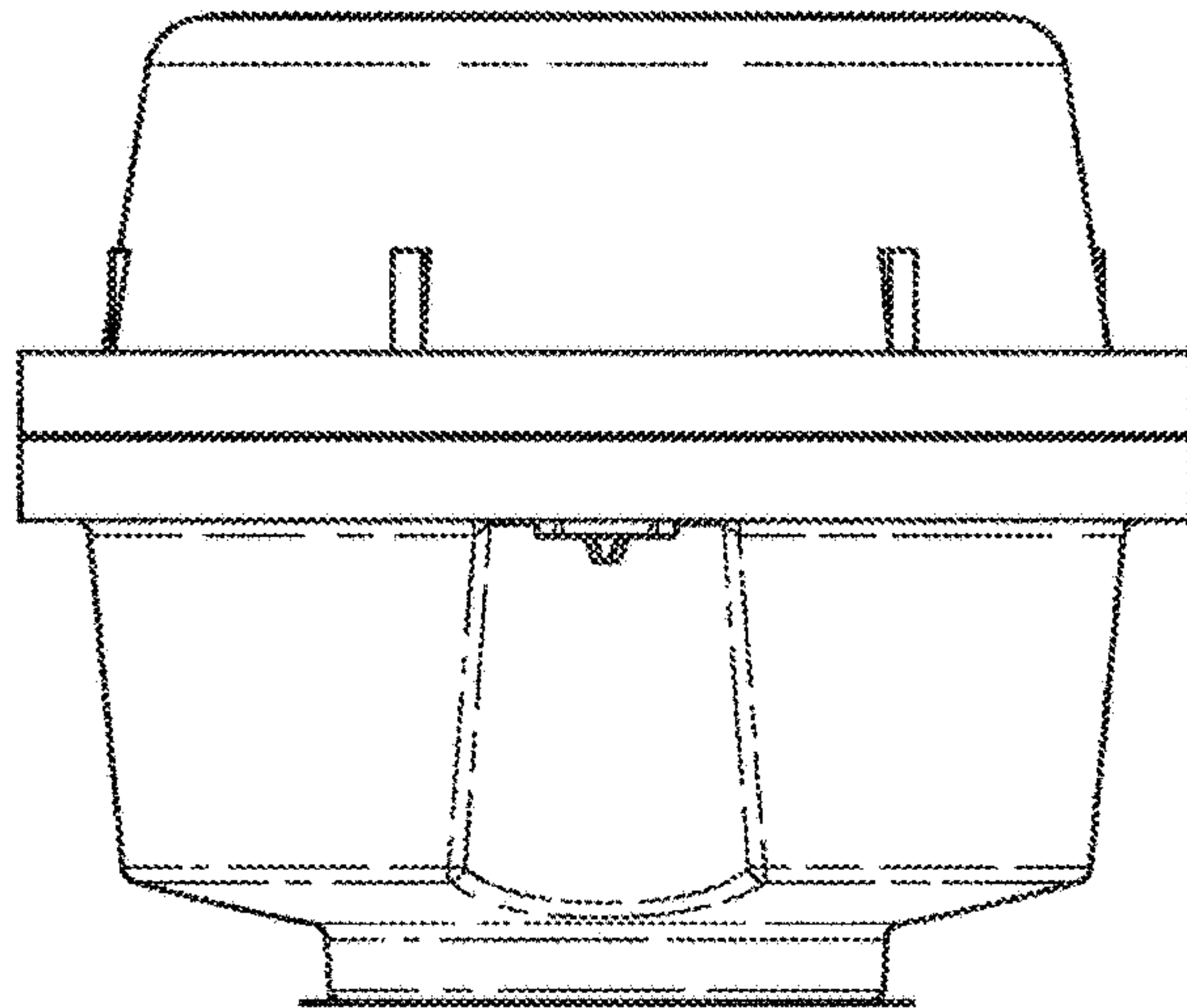


FIG. 3

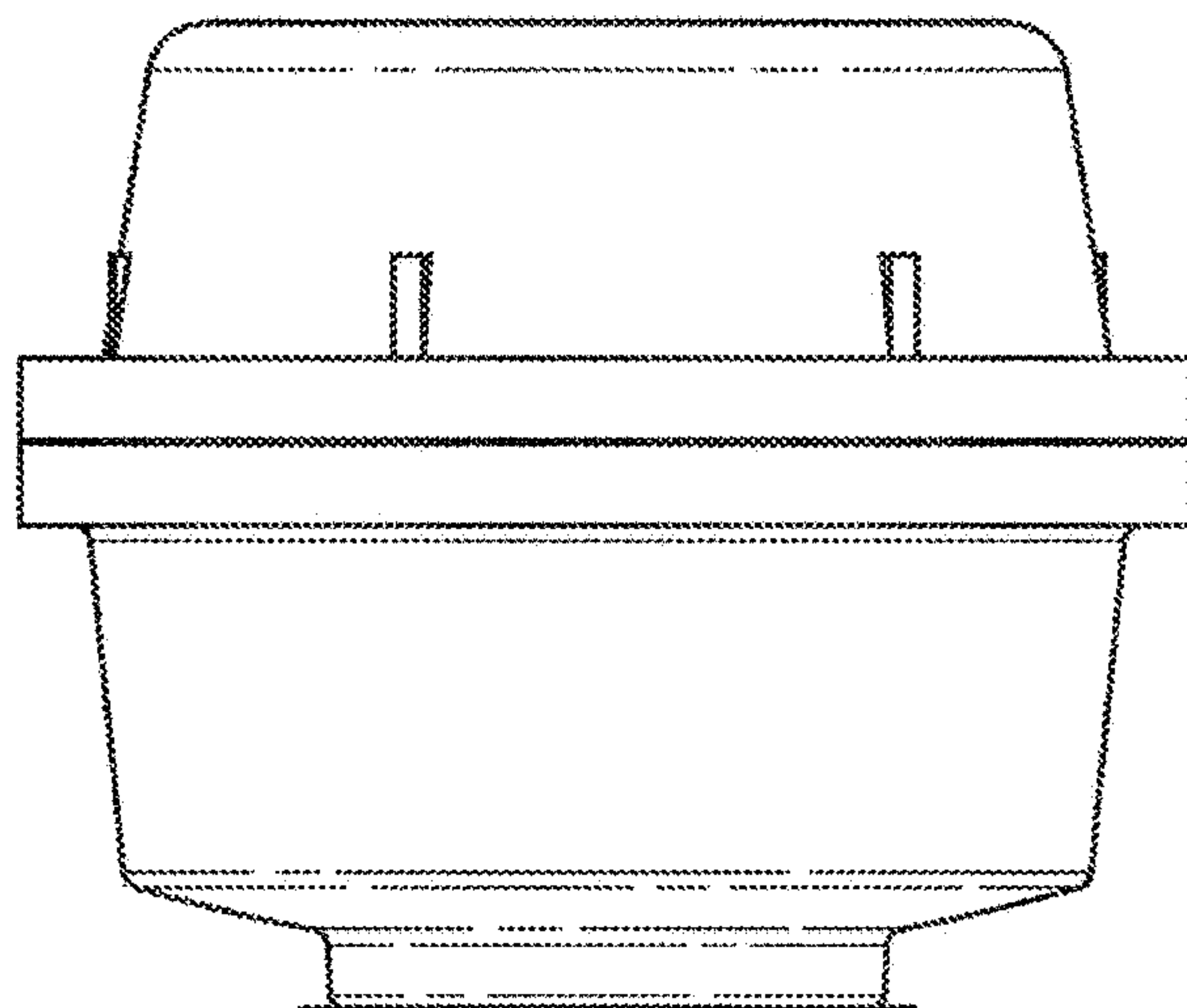


FIG. 4



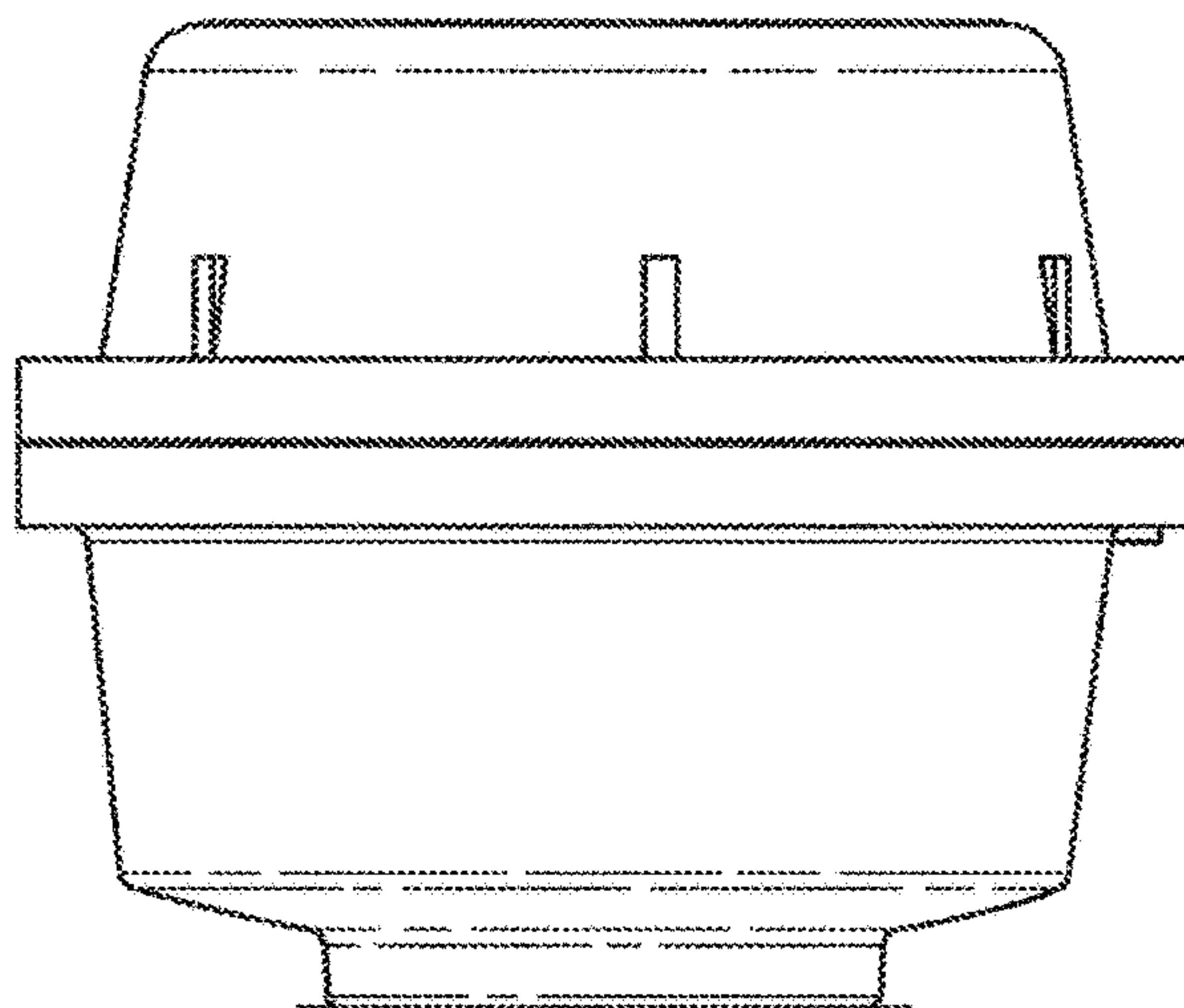


FIG. 5

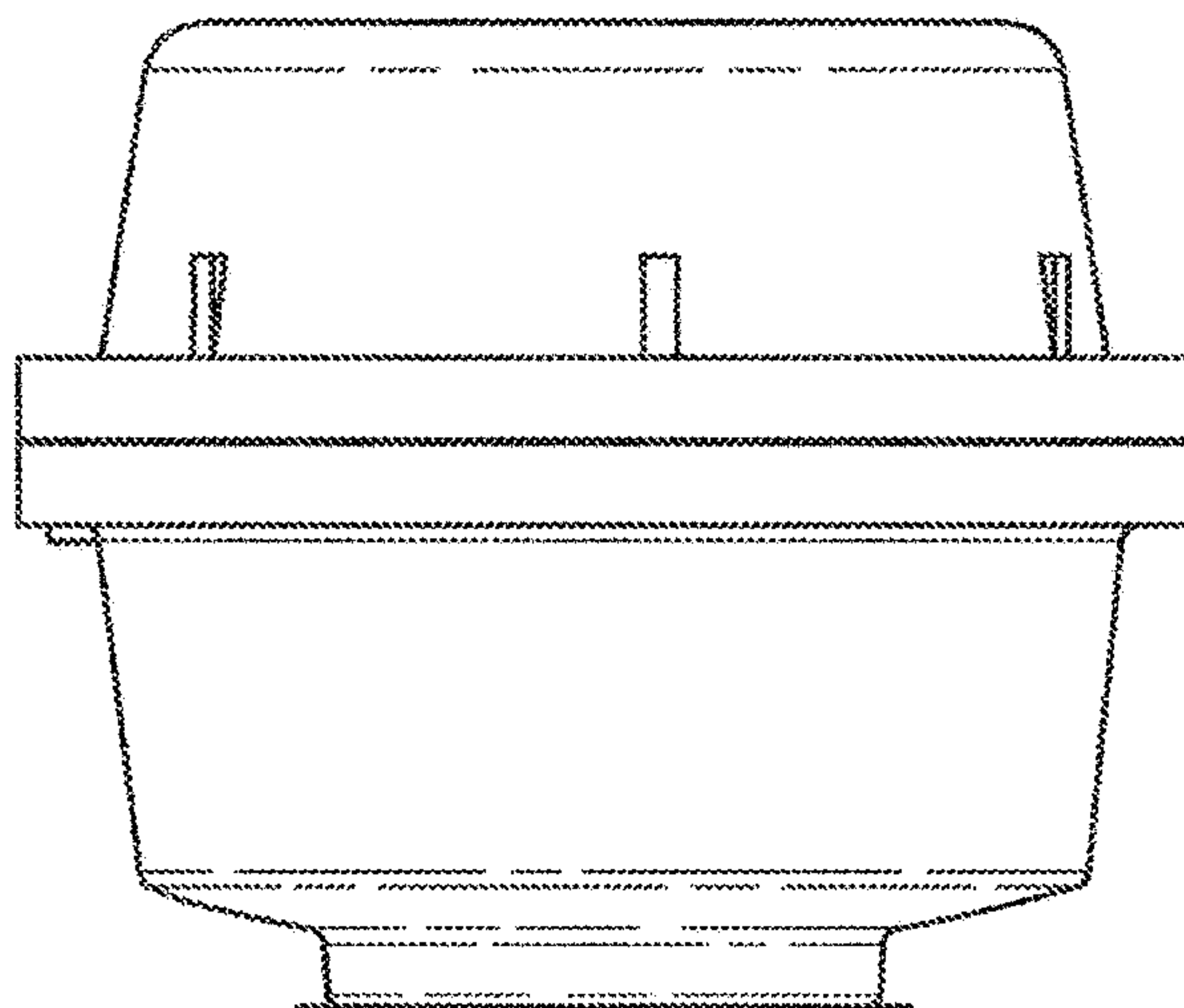


FIG. 6

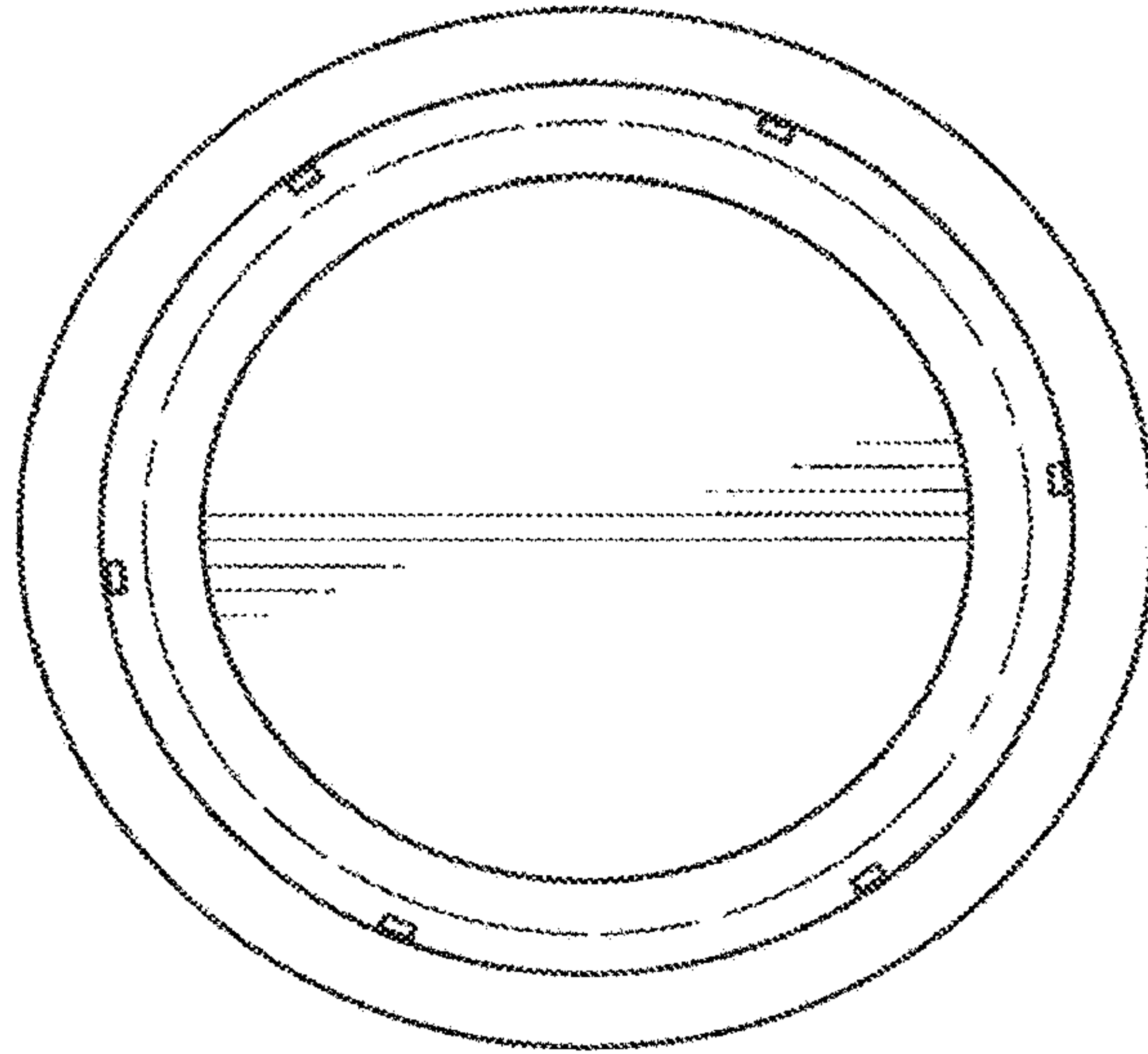


FIG. 7

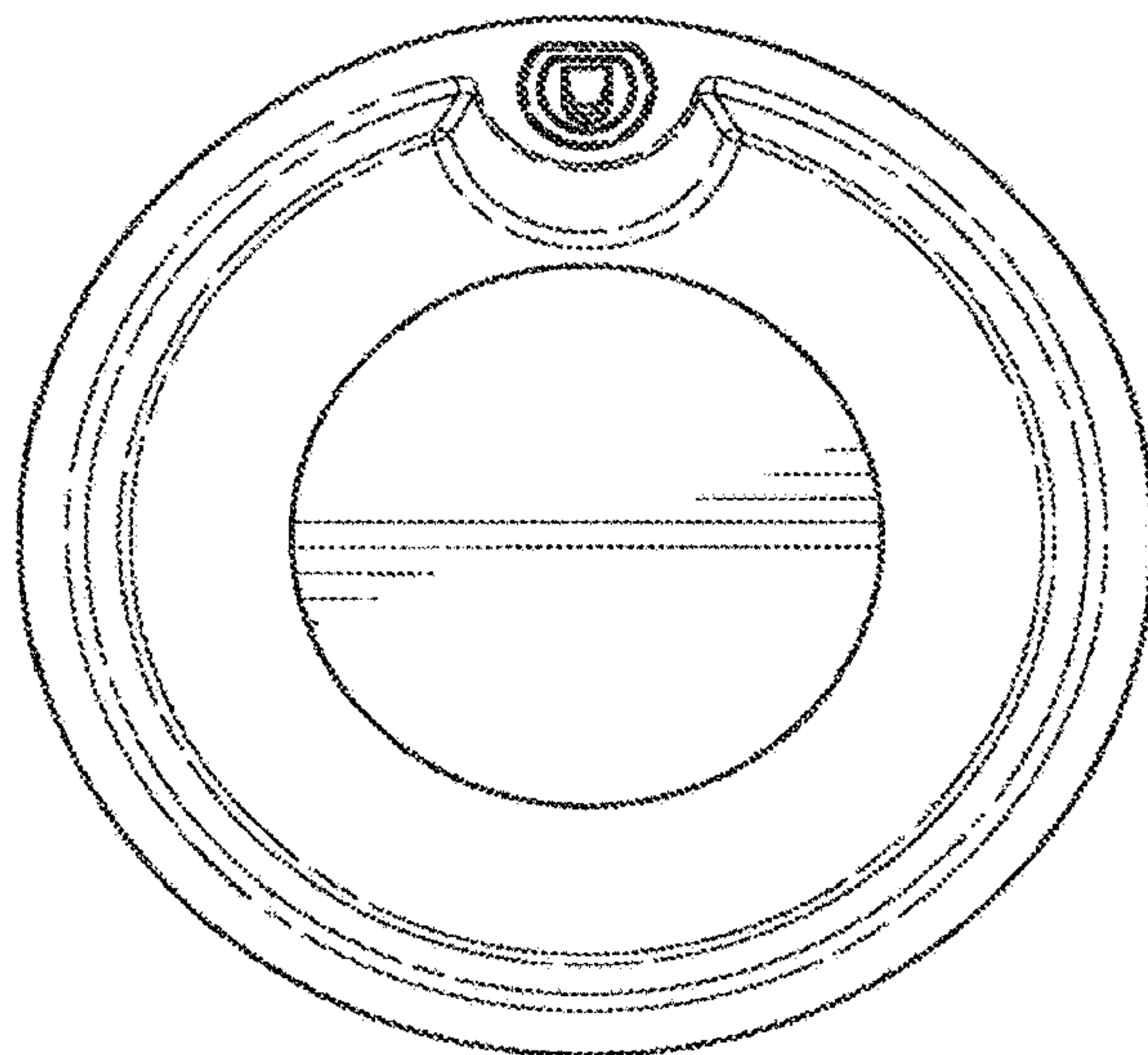


FIG. 8

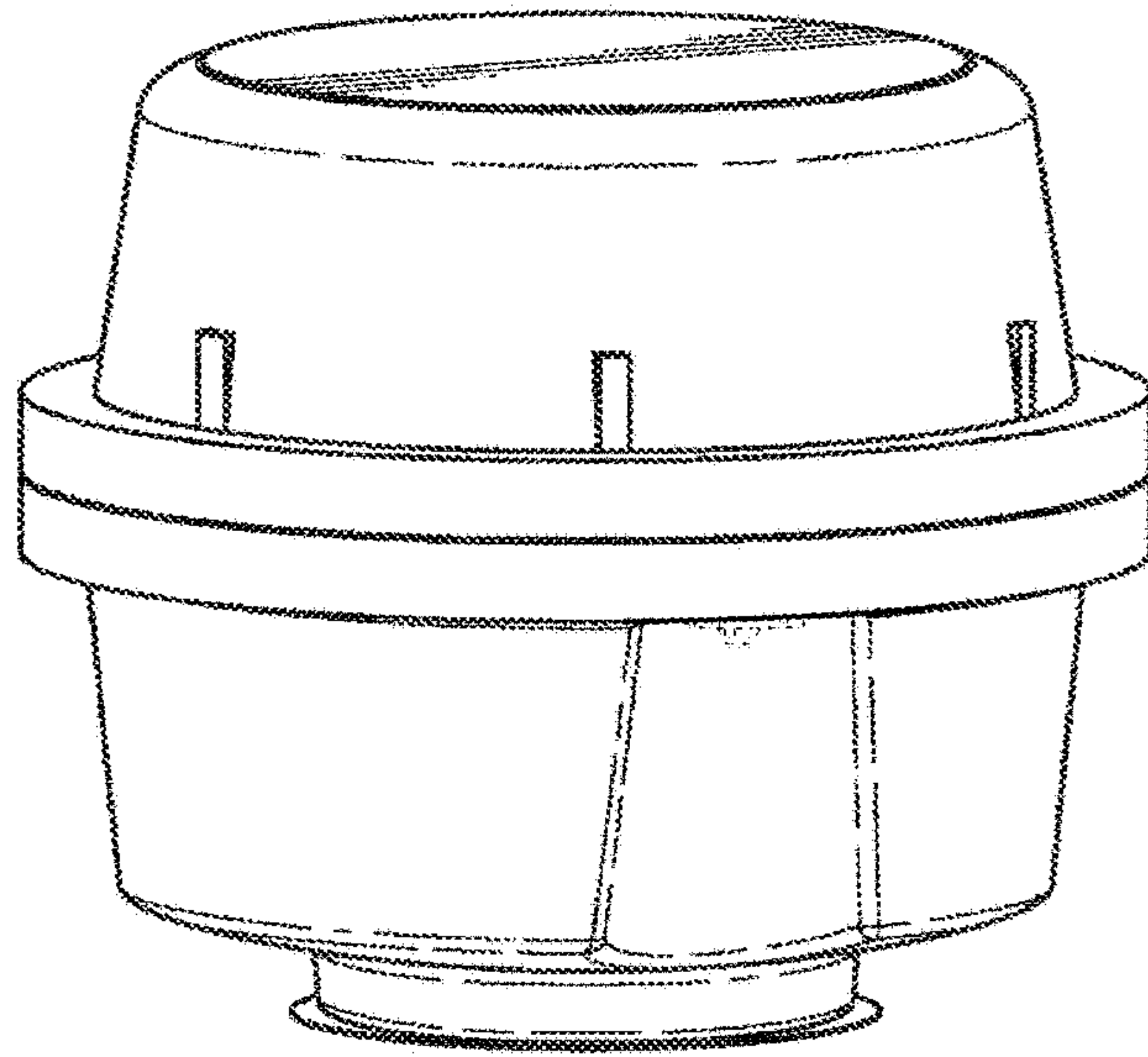


FIG. 9

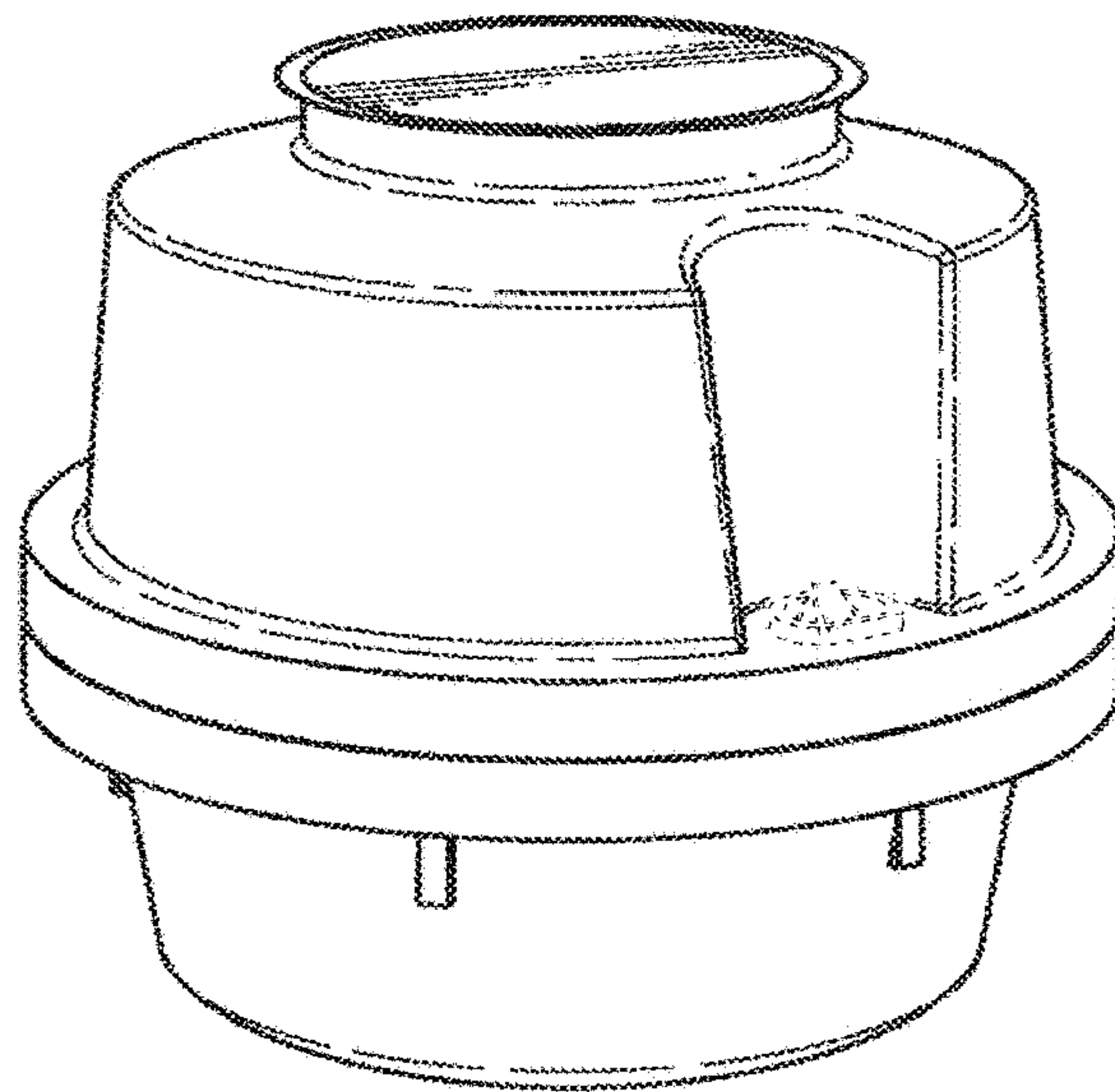


FIG. 10

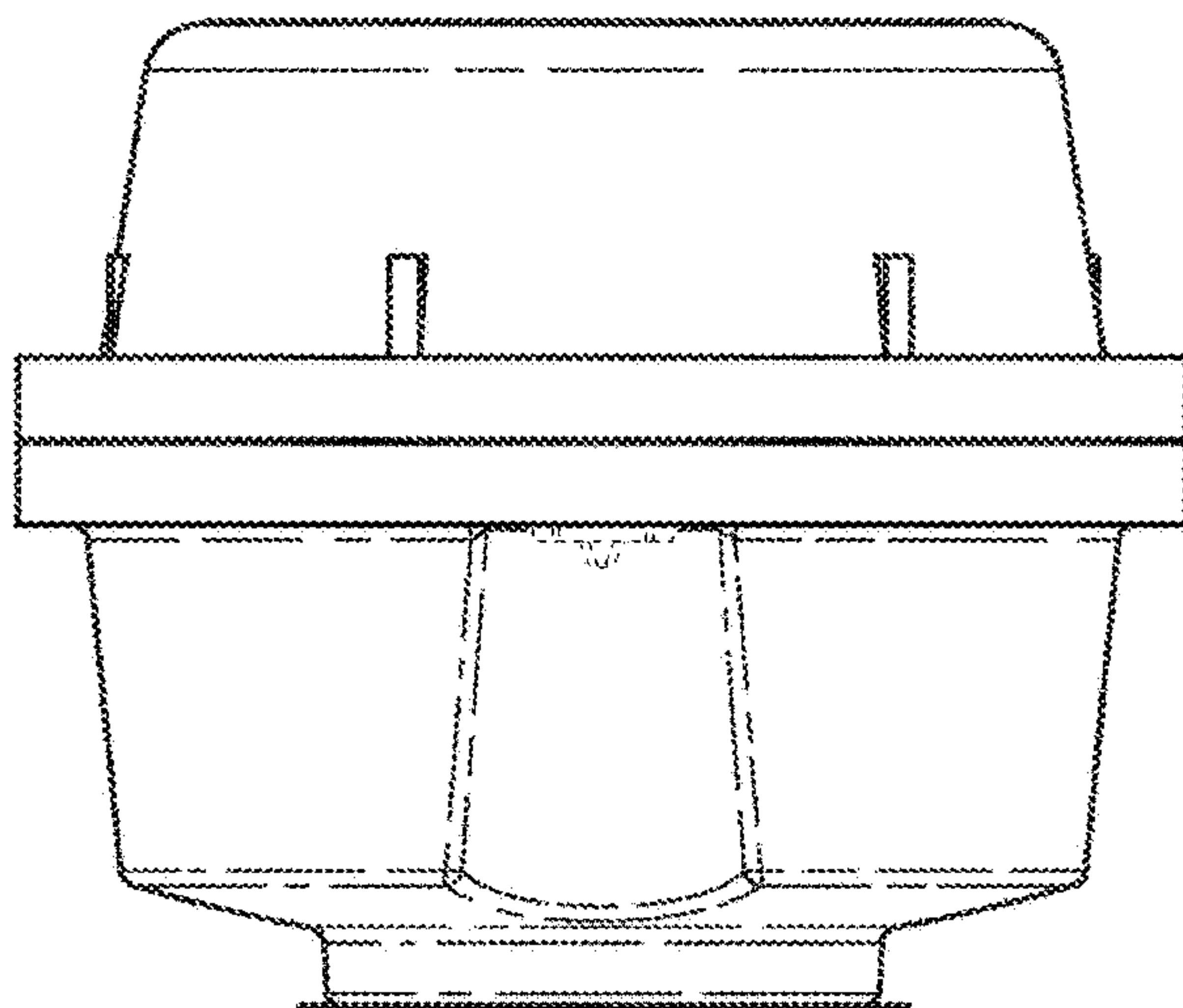


FIG. 11

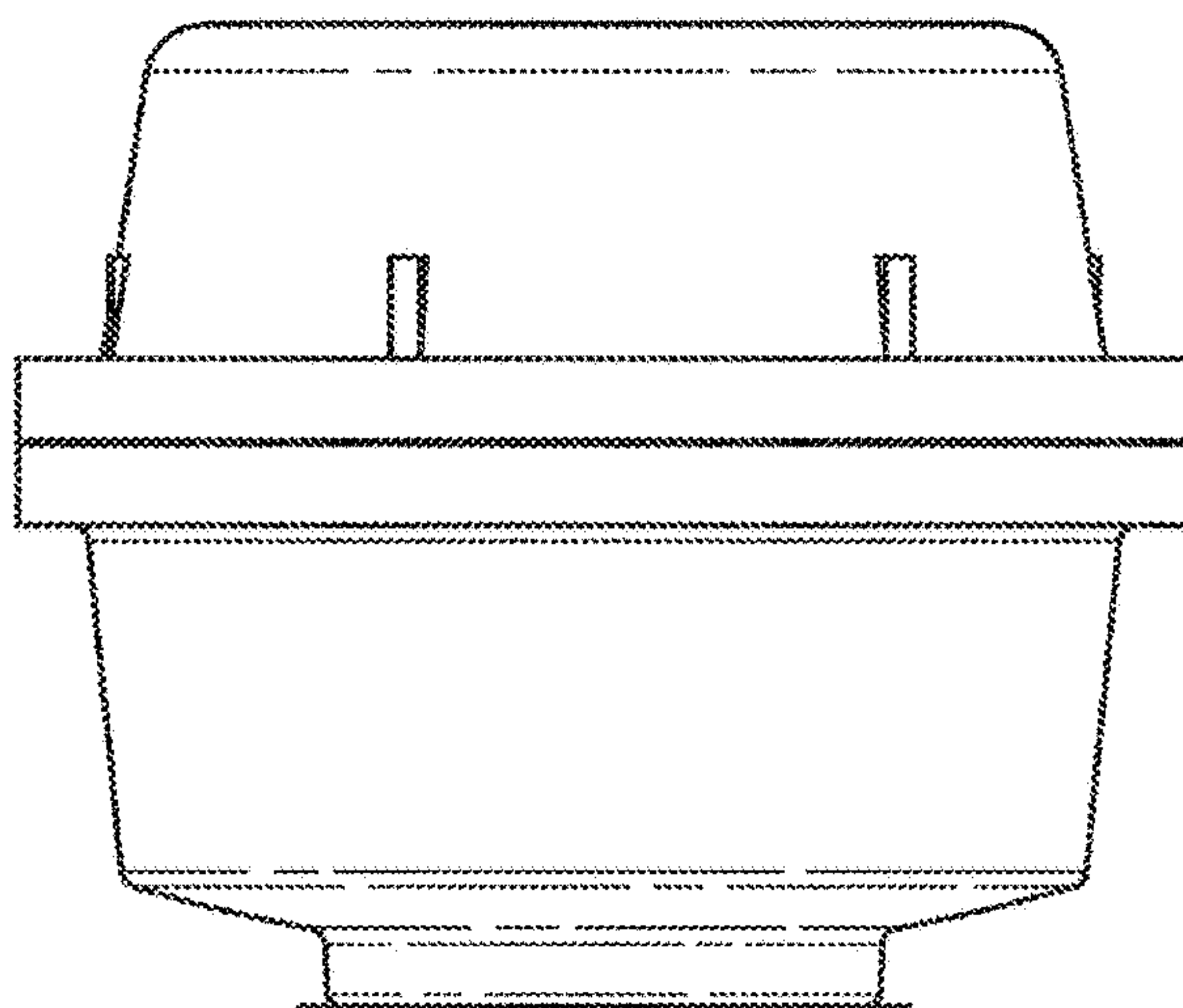


FIG. 12



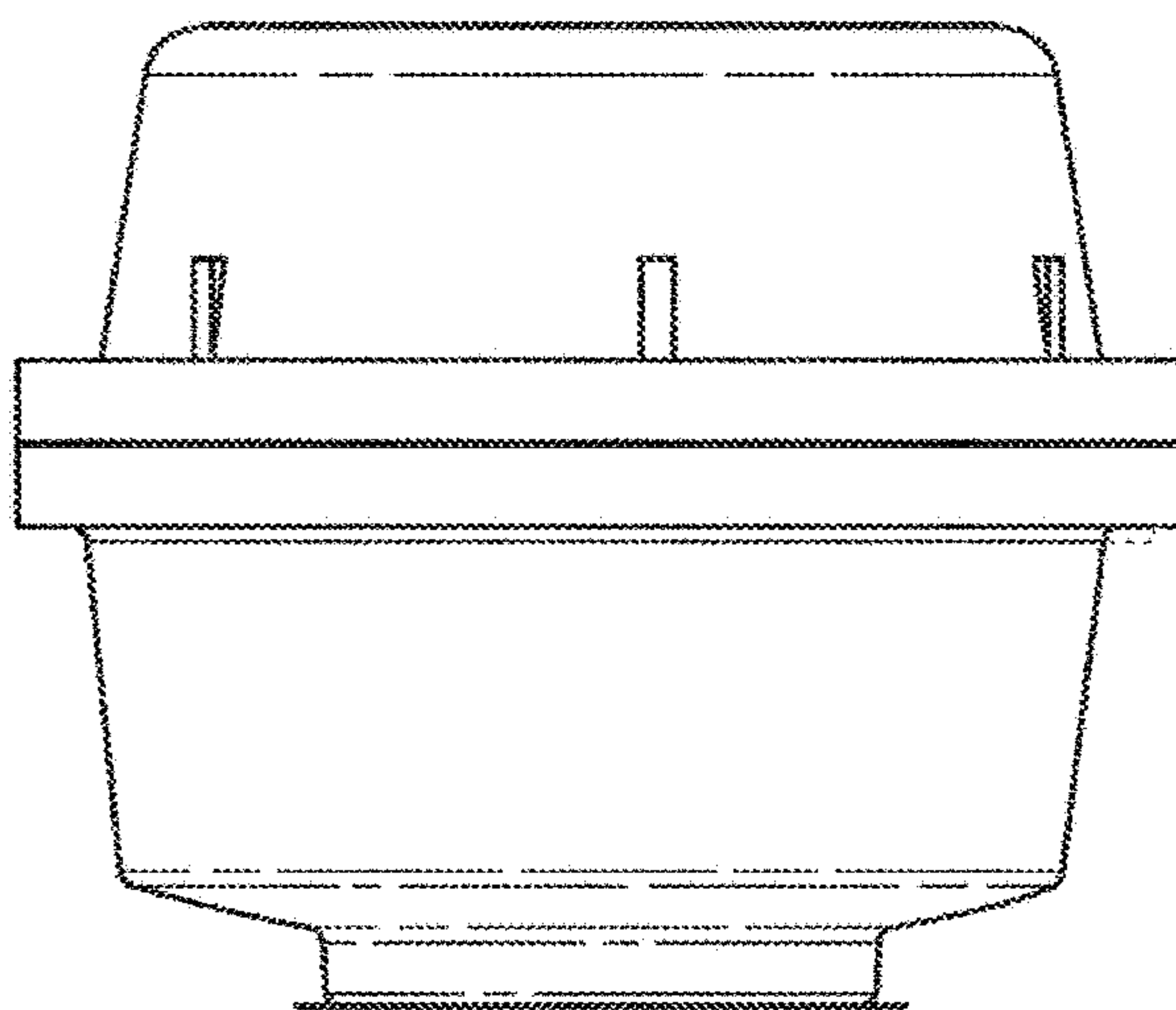


FIG. 13

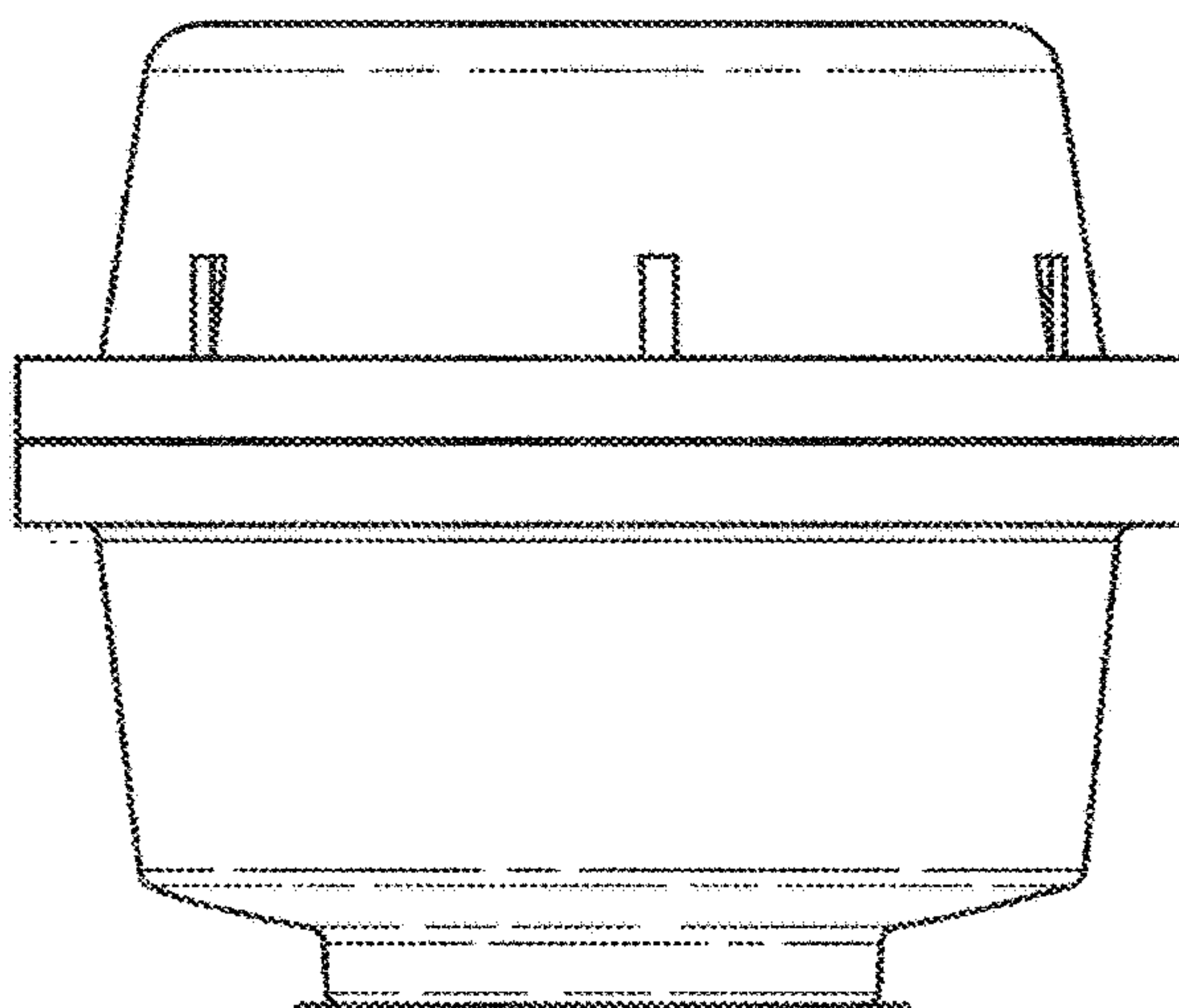


FIG. 14

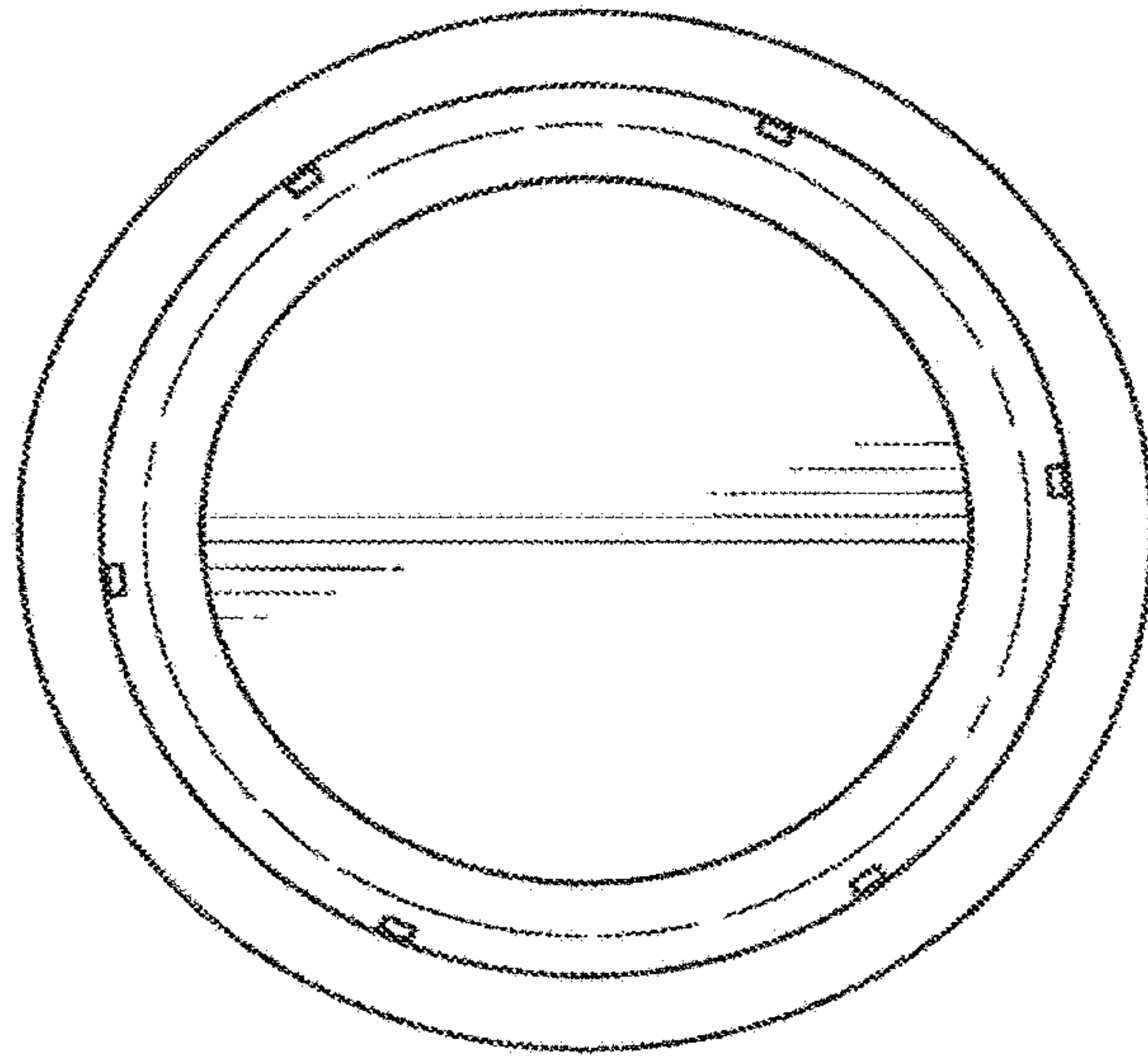


FIG. 15

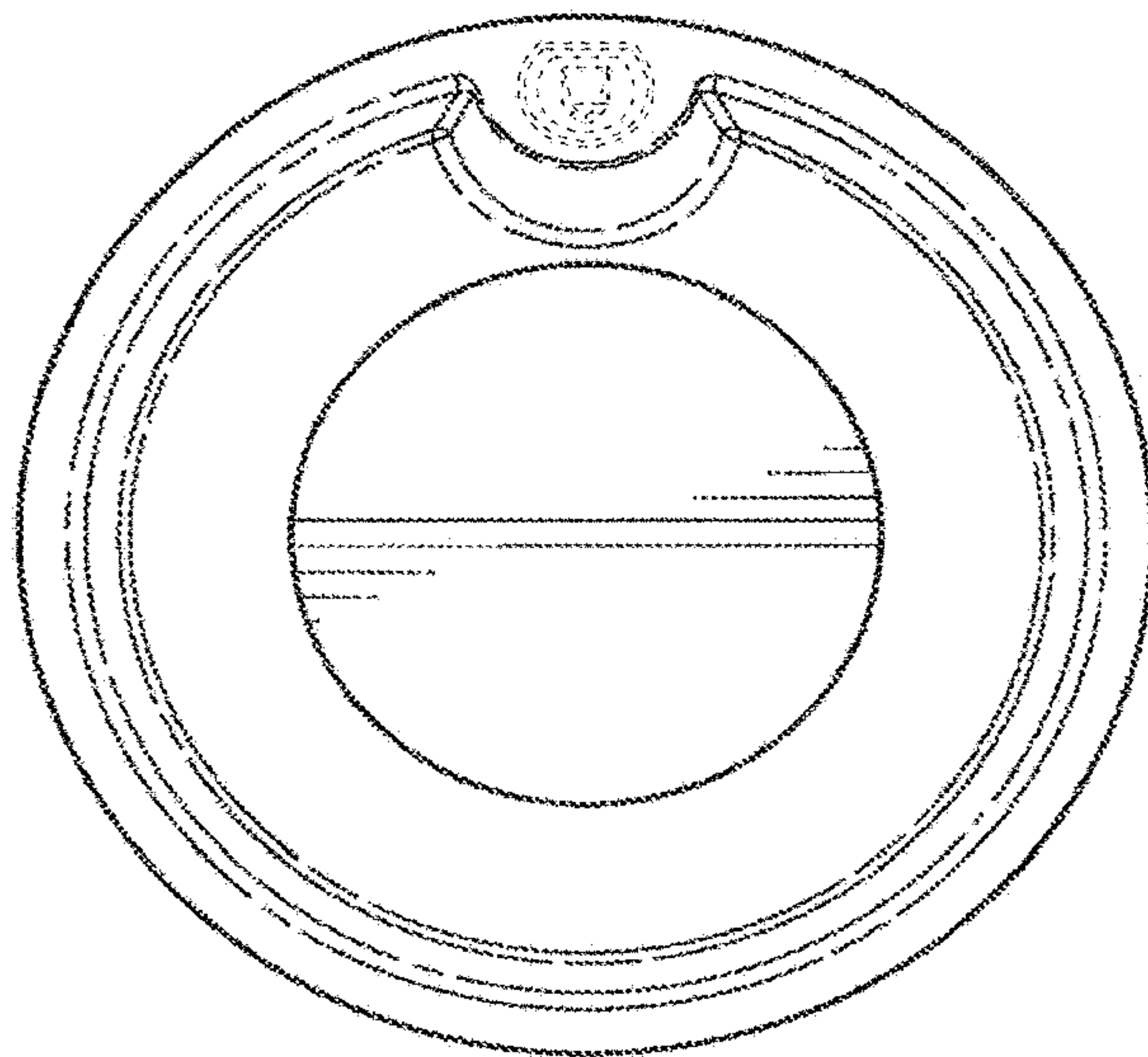


FIG. 16