



US00D843203S

(12) **United States Design Patent** (10) **Patent No.:** **US D843,203 S**
Secchi et al. (45) **Date of Patent:** **** Mar. 19, 2019**

(54) **CONTAINER FOR PACKAGING PRODUCTS**

Primary Examiner — Rhea Shields

(71) Applicant: **Cryovac, Inc.**, Duncan, SC (US)

(74) *Attorney, Agent, or Firm* — Nixon & Vanderhye P.C.

(72) Inventors: **Alessandra Secchi**, Milan (IT); **Serena Della Bianca**, Milan (IT); **Riccardo Palumbo**, Novara (IT); **Dario Distefano**, Scordia (IT)

(57) **CLAIM**

The ornamental design for a container for packaging products, as shown and described.

(73) Assignee: **CRYOVAC, INC.**, Duncan, SC (US)

DESCRIPTION

(**) Term: **15 Years**

(21) Appl. No.: **29/644,057**

(22) Filed: **Apr. 13, 2018**

Related U.S. Application Data

(62) Division of application No. 29/597,812, filed on Mar. 20, 2017, which is a division of application No. (Continued)

(30) **Foreign Application Priority Data**

Nov. 30, 2015 (EM) 002883173-0001
Nov. 30, 2015 (EM) 002883173-0002
(Continued)

(51) **LOC (11) Cl.** **09-03**

(52) **U.S. Cl.**
USPC **D9/415**

(58) **Field of Classification Search**
USPC D9/415-418, 435, 521, 710, 456, 756, D9/424, 425; D6/300, 309; D1/199; 206/461; 220/671, 526, 4.21, 781
(Continued)

(56) **References Cited**

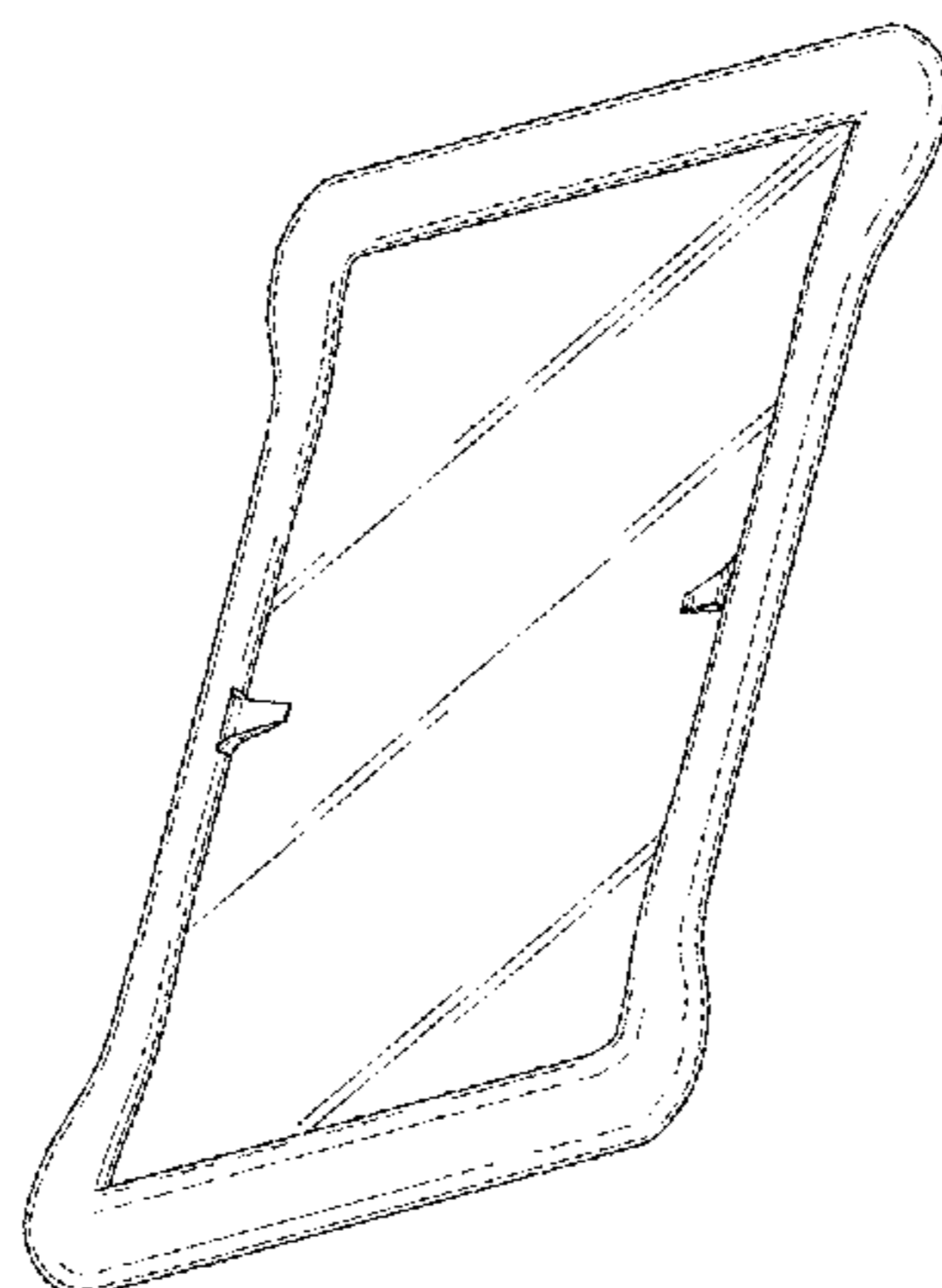
U.S. PATENT DOCUMENTS

3,104,776 A * 9/1963 Boston B65D 1/34
220/671
D257,226 S * 10/1980 Kimball D9/415
(Continued)

FIG. 1 is a perspective view of a container for packaging products according to a first embodiment, showing the front, bottom and right side of the first embodiment;
FIG. 2 is a front view of the container for packaging products shown in FIG. 1, wherein a back view is mirror image of the front view;
FIG. 3 is left side view of the container for packaging products shown in FIG. 1, wherein the right side view is a mirror image of the left side view;
FIG. 4 is top down view of the container for packaging products shown in FIG. 1, wherein the bottom up is a mirror image of the top down view;
FIG. 5 is a perspective view of the container for packaging products shown in FIG. 1;
FIG. 6 is a perspective view of a container for packaging products according to a second embodiment, showing the front, bottom and right side of the second embodiment;
FIG. 7 is a front view of the container for packaging products shown in FIG. 6, wherein a back view is mirror image of the front view;
FIG. 8 is left side view of the container for packaging products shown in FIG. 6, wherein the right side view is a mirror image of the left side view;
FIG. 9 is top down view of the container for packaging products shown in FIG. 6, wherein the bottom up is a mirror image of the top down view; and,
FIG. 10 is a perspective view of the container for packaging products shown in FIG. 6.

The broken lines in the drawings illustrate environment and form no part of the claimed design.

1 Claim, 10 Drawing Sheets



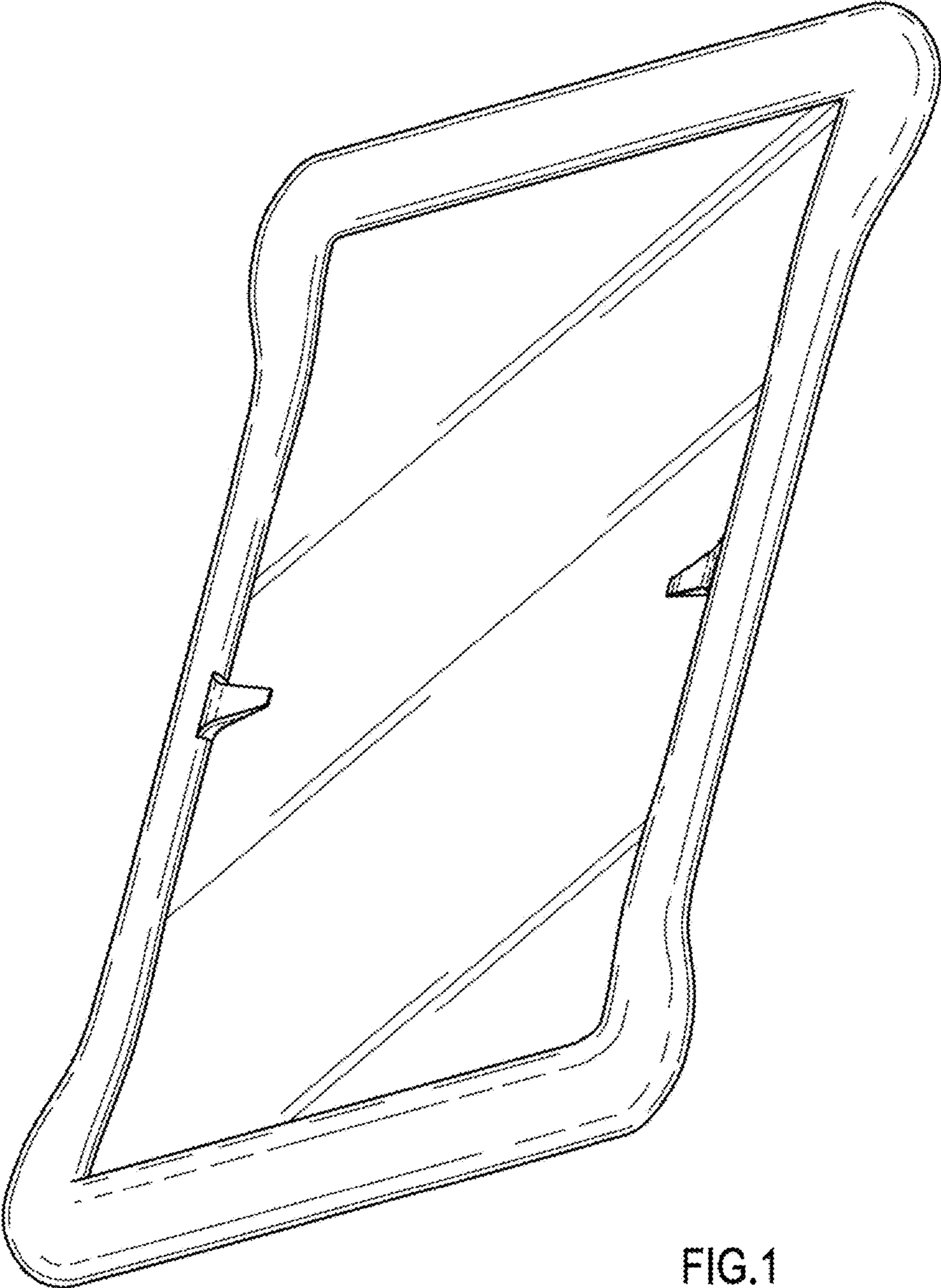


FIG.1

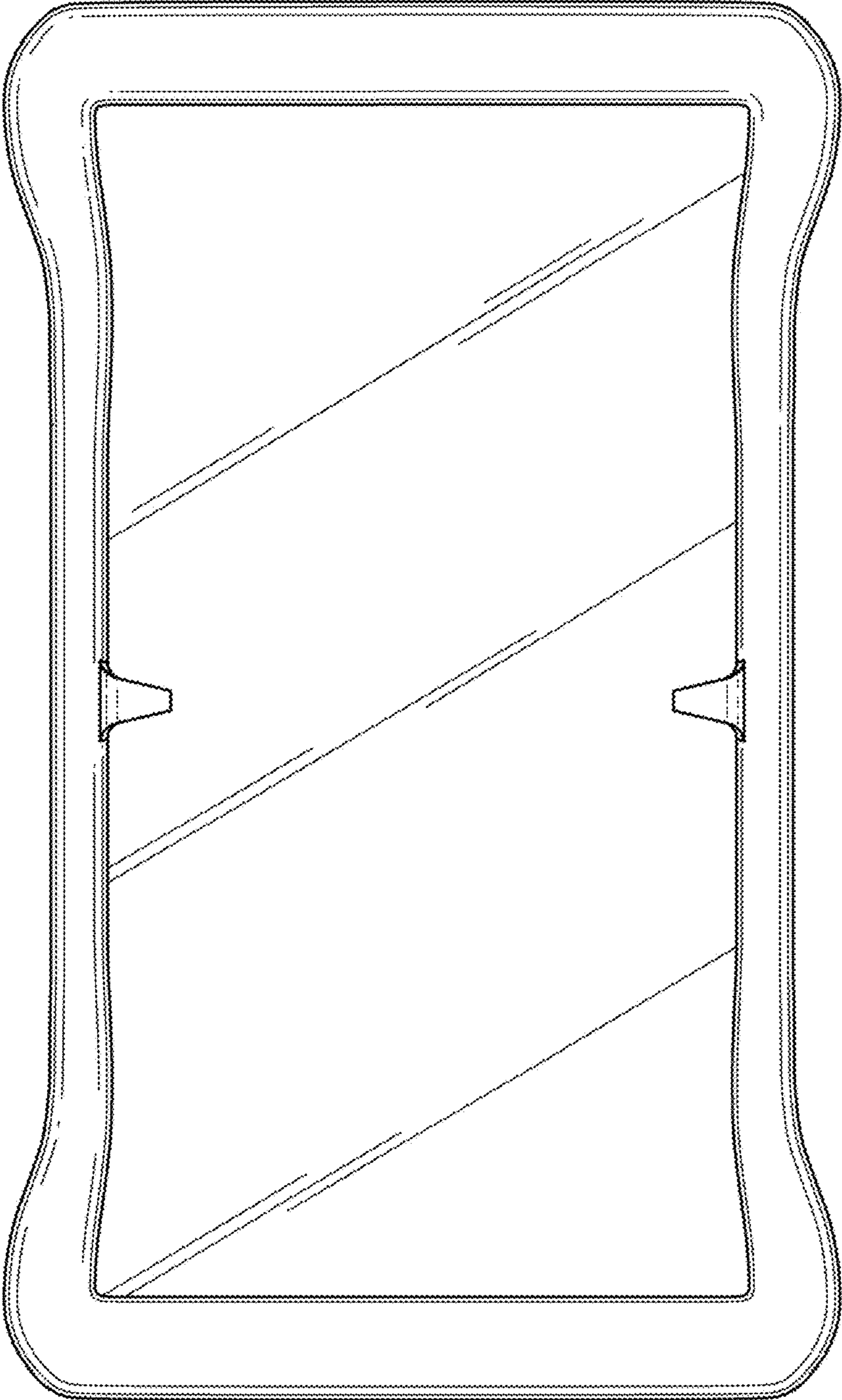


FIG.2

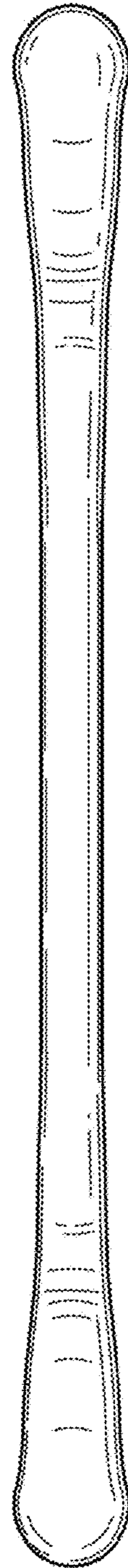


FIG.3

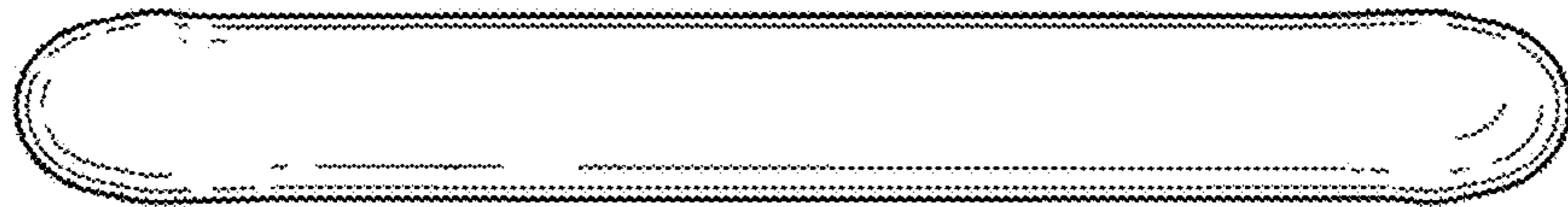


FIG.4

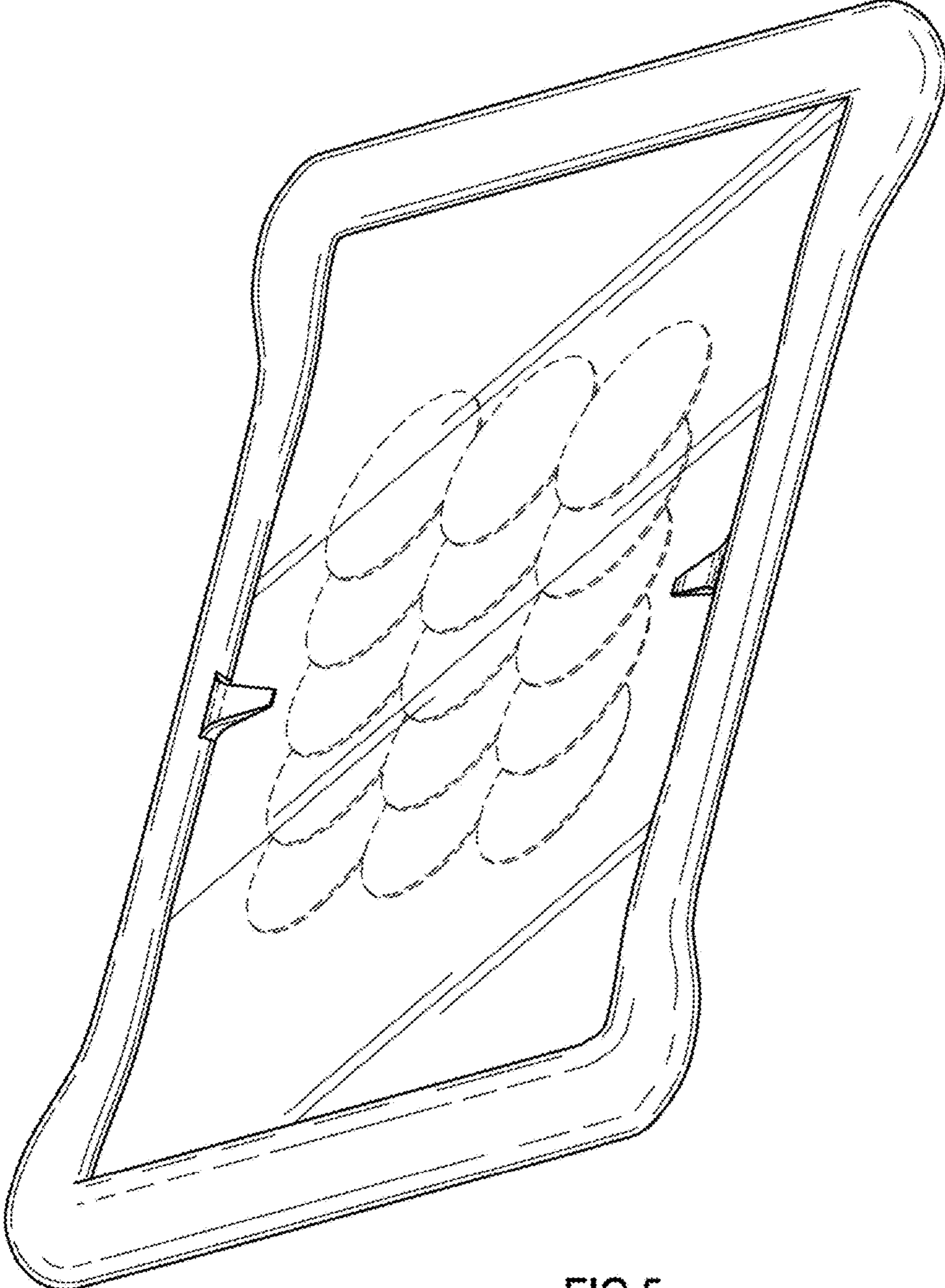


FIG.5

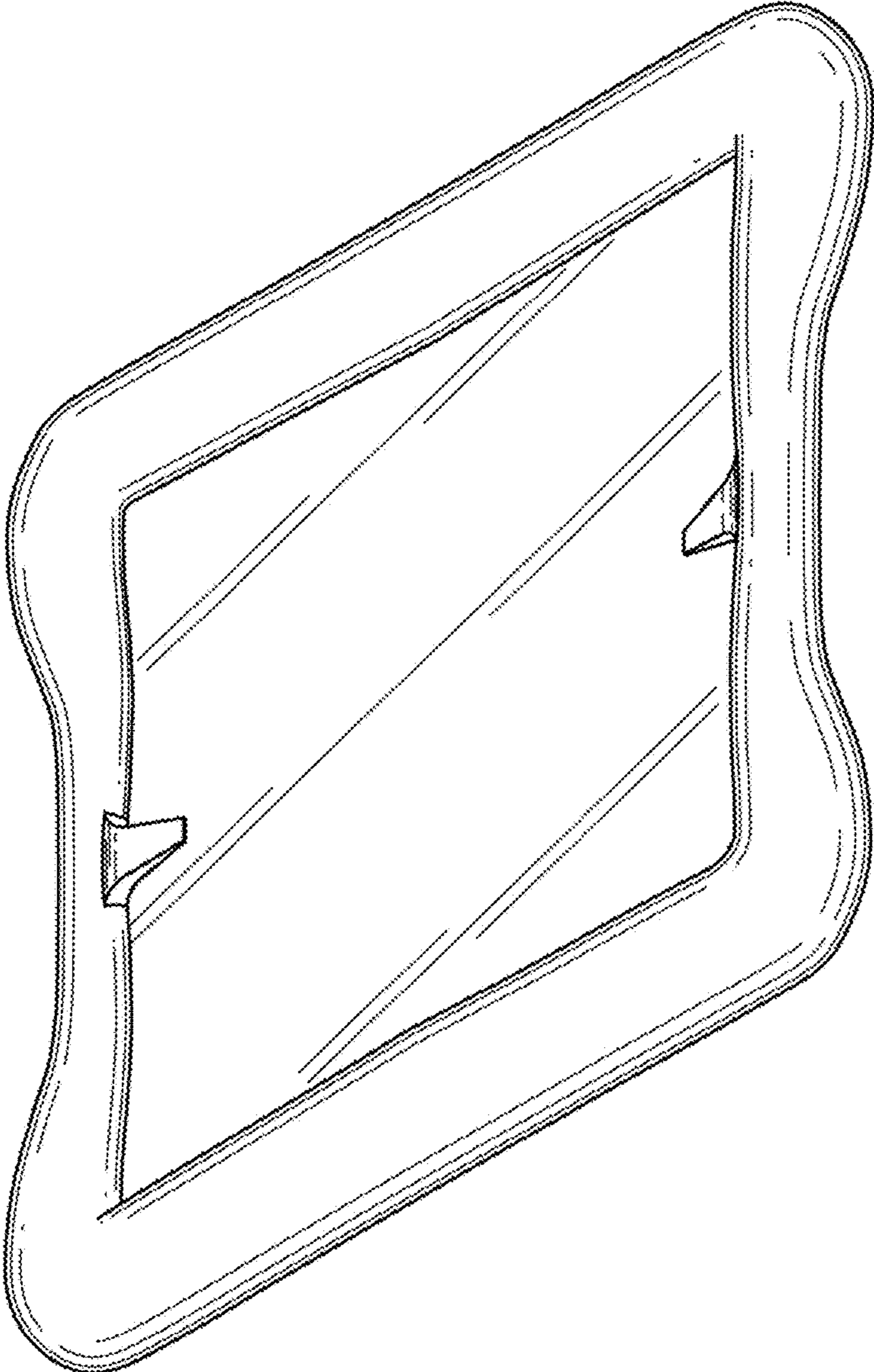


FIG.6

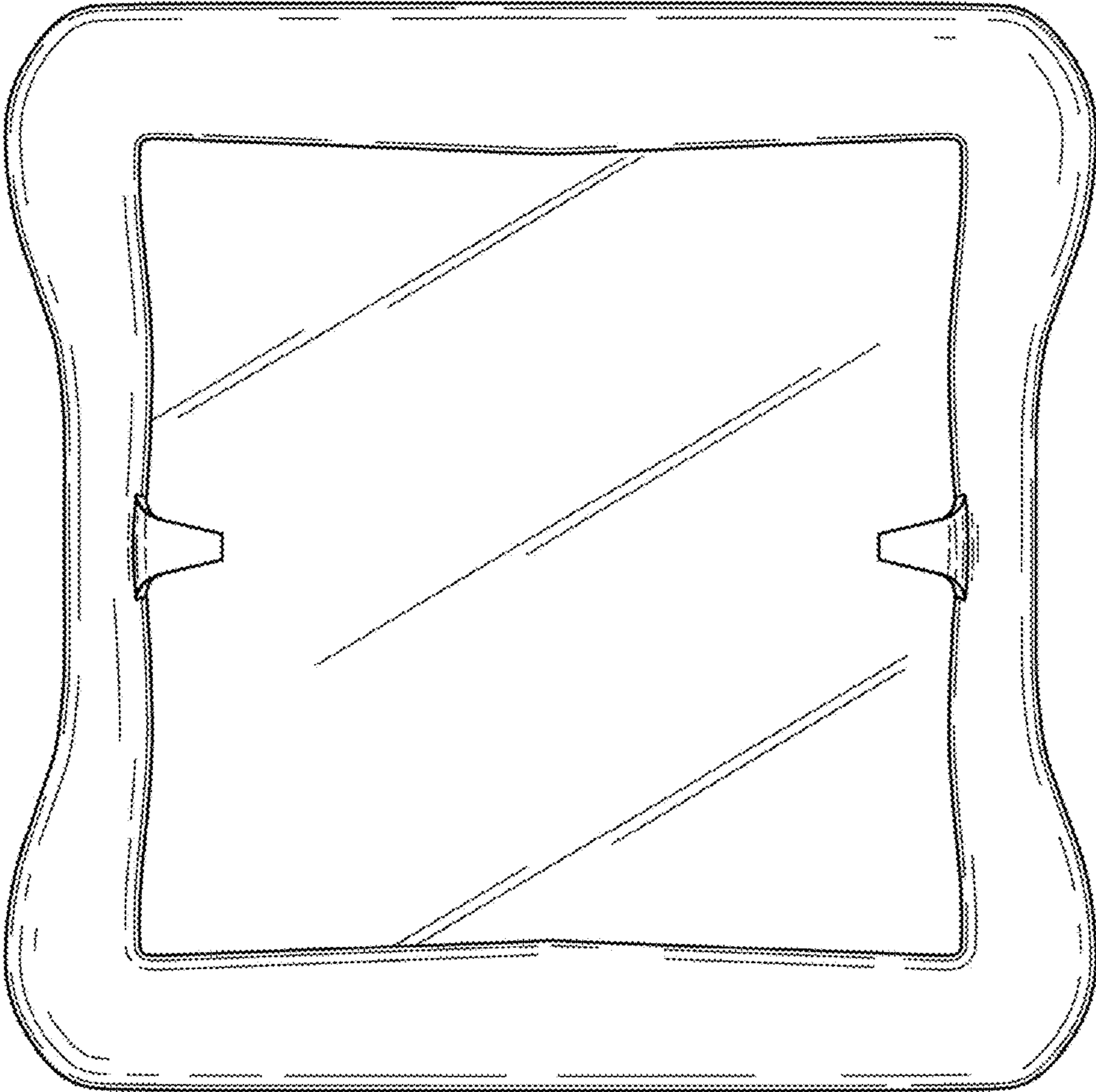


FIG.7

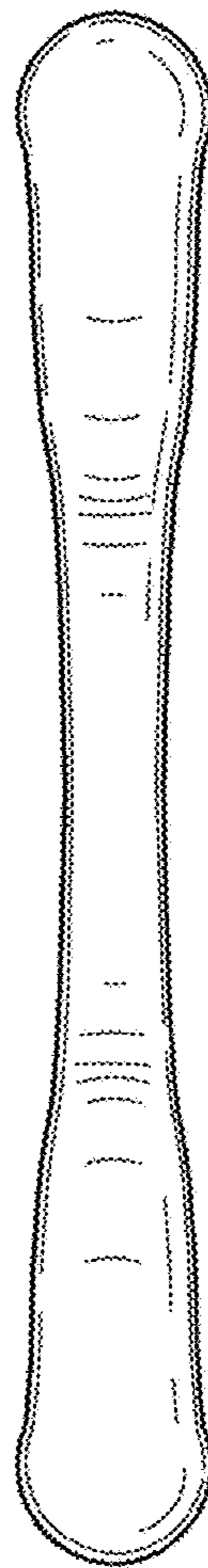


FIG.8



FIG.9

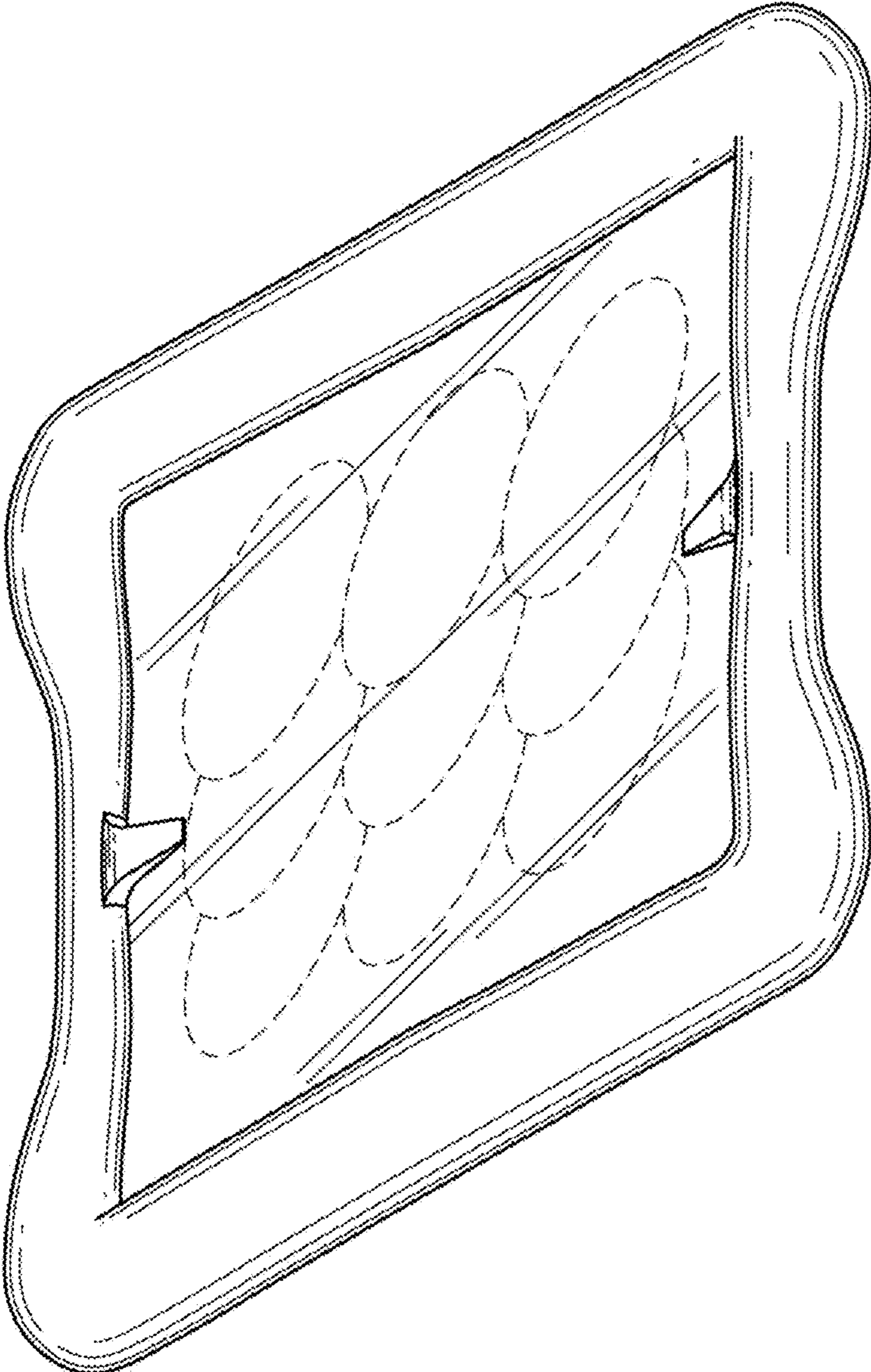


FIG.10