

US00D843201S

(12) **United States Design Patent**
Morey

(10) **Patent No.:** **US D843,201 S**
(45) **Date of Patent:** **** Mar. 19, 2019**

(54) **EDGING SPIKE FOR LAWN AND PAVERS**

(71) Applicant: **Dimex, LLC**, Marietta, OH (US)

(72) Inventor: **Kevin Morey**, Marietta, OH (US)

(73) Assignee: **Dimex, LLC**, Marietta, OH (US)

(**) Term: **15 Years**

(21) Appl. No.: **29/599,212**

(22) Filed: **Mar. 31, 2017**

(51) **LOC (11) Cl.** **08-08**

(52) **U.S. Cl.**

USPC **D8/391**; D8/1

(58) **Field of Classification Search**

USPC D8/1, 385, 387, 388, 391, 393

CPC A61B 17/68; A61B 17/686; F16B 15/00;

F16B 23/00; F16B 35/04; F16B 35/041;

F16B 25/0089; E01C 2201/00; E01C

2201/16; E01C 11/02; E01C 2201/167;

A01G 9/00; A01G 9/006; A01G 9/12;

A01G 9/122; A01G 9/28; E02D 5/80;

E02D 5/801; E04H 12/2215

See application file for complete search history.

(56) **References Cited**

U.S. PATENT DOCUMENTS

427,815 A * 5/1890 Wolf E04H 12/2215
52/165

2,809,809 A 10/1957 Johnston

3,957,383 A 5/1976 Fredericks

4,115,912 A * 9/1978 Beck F16B 15/00
29/432

4,508,319 A 4/1985 Tappan et al.

4,644,685 A 2/1987 Tisbo et al.

4,653,486 A * 3/1987 Coker A61B 17/68
606/65

4,748,931 A * 6/1988 Volk G01K 11/06
116/217

4,831,776 A 5/1989 Fritch
4,863,307 A 9/1989 Jones
D304,311 S * 10/1989 Radke D10/109.1
4,873,976 A * 10/1989 Schreiber A61B 17/064
606/213
5,020,272 A 6/1991 Herrema et al.
5,073,061 A 12/1991 Jones
D324,649 S * 3/1992 Lederhaus, Jr. D8/391
5,212,917 A 5/1993 Kurtz et al.
5,230,187 A 7/1993 Reimann
5,240,343 A 8/1993 Strobl, Jr.
5,301,461 A 4/1994 Zwier
5,315,780 A 5/1994 Thomas
5,323,730 A * 6/1994 Ou-Yang G01K 11/06
116/218
5,375,941 A 12/1994 Strobl, Jr.

(Continued)

Primary Examiner — Sandra S Snapp

Assistant Examiner — Ieisha N Price

(74) *Attorney, Agent, or Firm* — Wood Herron & Evans
LLP

(57) **CLAIM**

The ornamental design for an edging spike for lawn and pavers, as shown and described.

DESCRIPTION

FIG. 1 is a bottom right perspective view of an edging spike for lawn and pavers according of this invention;

FIG. 2 is a front view of the edging spike for lawn and pavers with the rear view being a mirror image thereof;

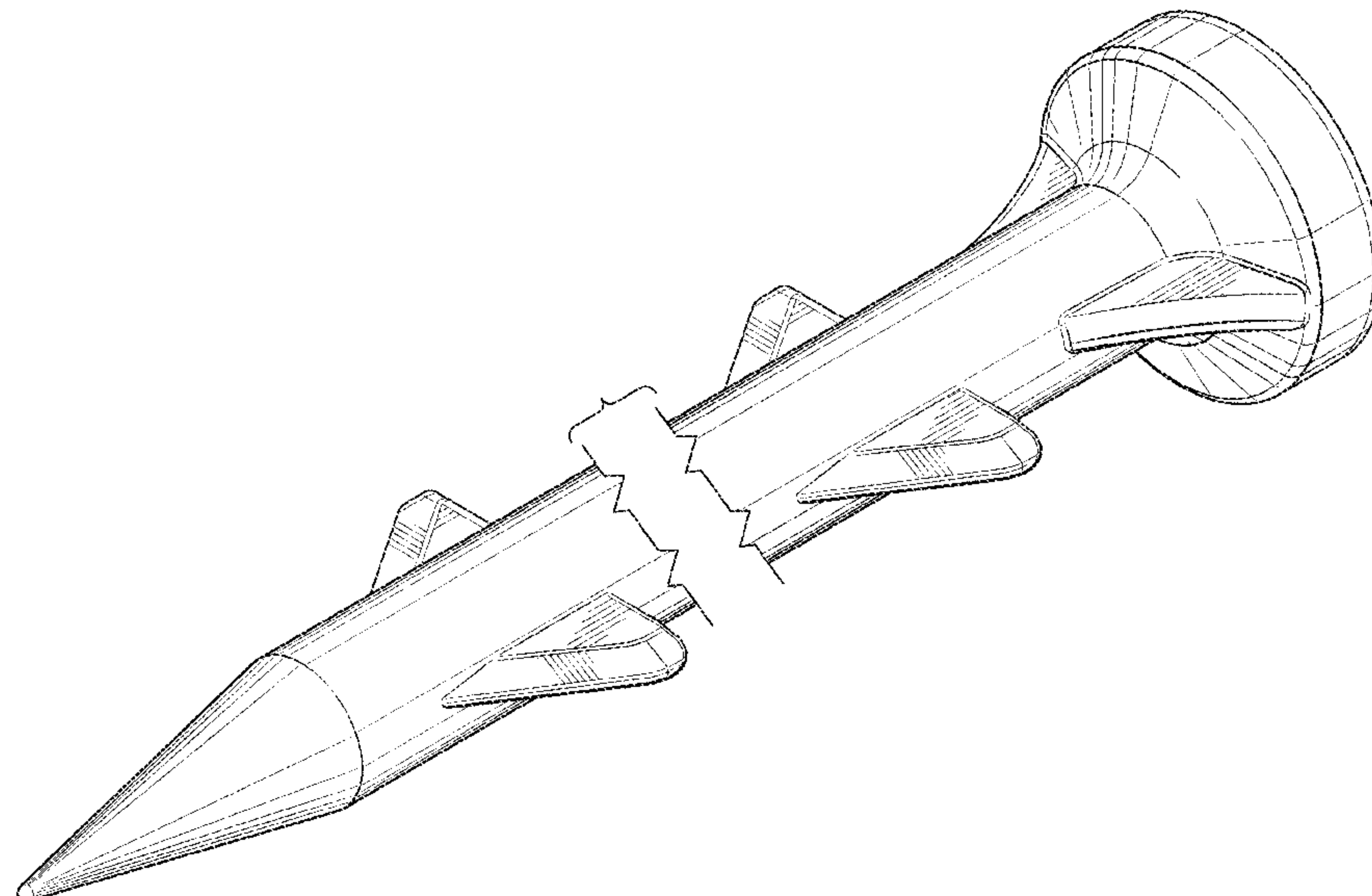
FIG. 3 is a right-side view thereof with the left side view being a mirror image thereof;

FIG. 4 is a top view thereof; and,

FIG. 5 is a bottom view thereof.

The drawings are shown with a symbolic break in their length. The appearance of any portion of the article between the break lines forms no part of the claimed design.

1 Claim, 3 Drawing Sheets



(56)

References Cited

U.S. PATENT DOCUMENTS

5,391,029 A * 2/1995 Fardell F16B 15/06
411/452
5,421,118 A 6/1995 Bauer
5,640,801 A 6/1997 Rynberk
D400,079 S * 10/1998 Chase D8/349
5,860,866 A * 1/1999 Van Allman F16B 19/14
163/6
5,901,526 A 5/1999 Vidmar et al.
6,038,811 A 3/2000 Conway
6,085,458 A 7/2000 Gau
6,234,444 B1 * 5/2001 Haddad A01G 9/122
248/156
6,324,783 B1 12/2001 McIntyre et al.
6,379,078 B1 4/2002 Zwier
D503,842 S * 4/2005 Barnes D99/18
7,434,360 B2 10/2008 Traub et al.
7,596,903 B1 10/2009 Flanagan
D645,114 S * 9/2011 Krause D22/120
8,464,464 B2 6/2013 Rosaen
8,753,042 B1 6/2014 Thompson et al.
D720,611 S * 1/2015 Hewitt D8/388
2009/0016849 A1 * 1/2009 Riccobene E01C 11/221
411/496
2012/0301249 A1 * 11/2012 Jablonski F16B 1/0071
411/394
2017/0144731 A1 * 5/2017 De Carvalho E Silva
B63B 21/26
2018/0298577 A1 * 10/2018 Morey E02D 5/80

* cited by examiner

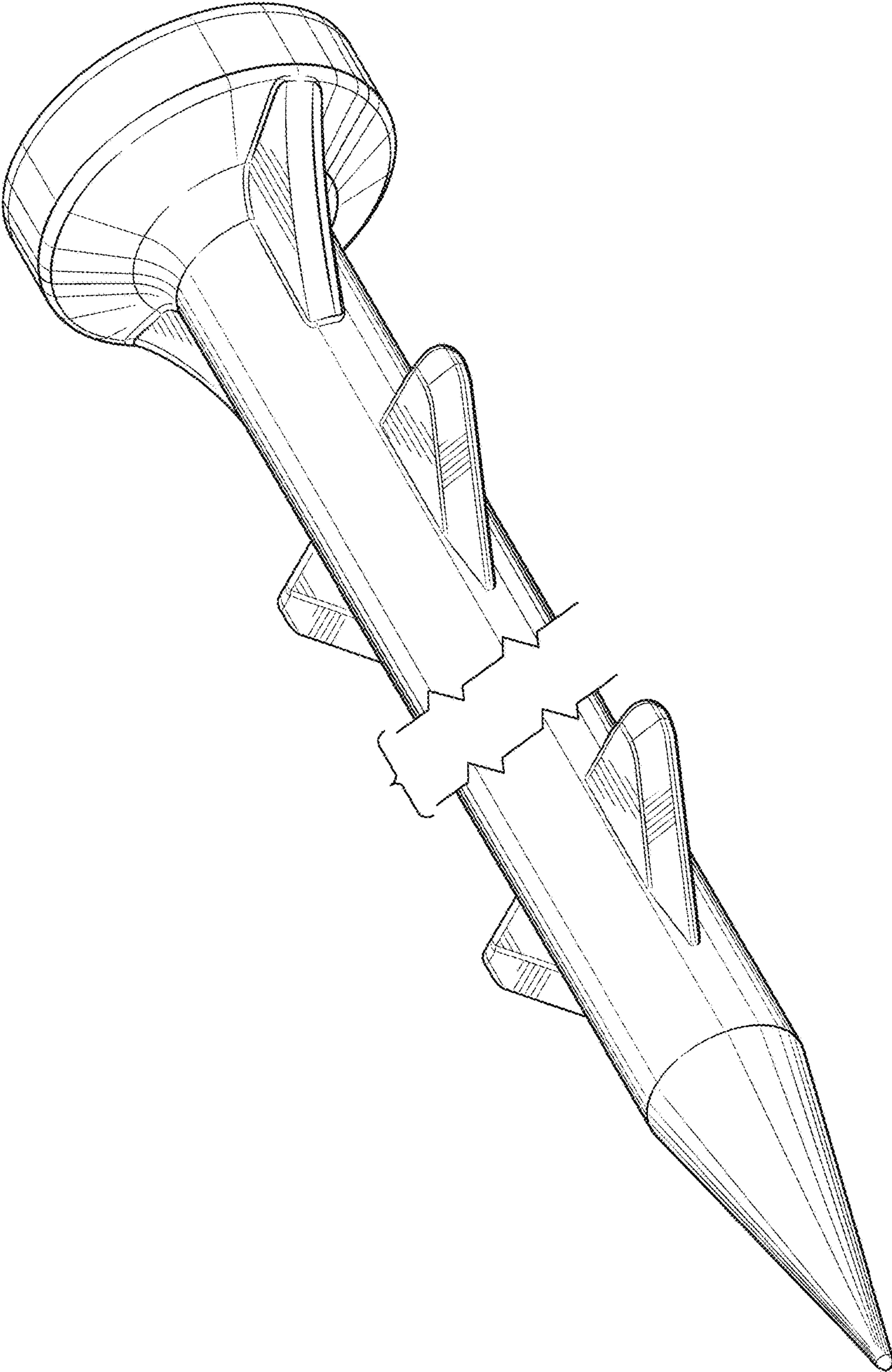


FIG. 1

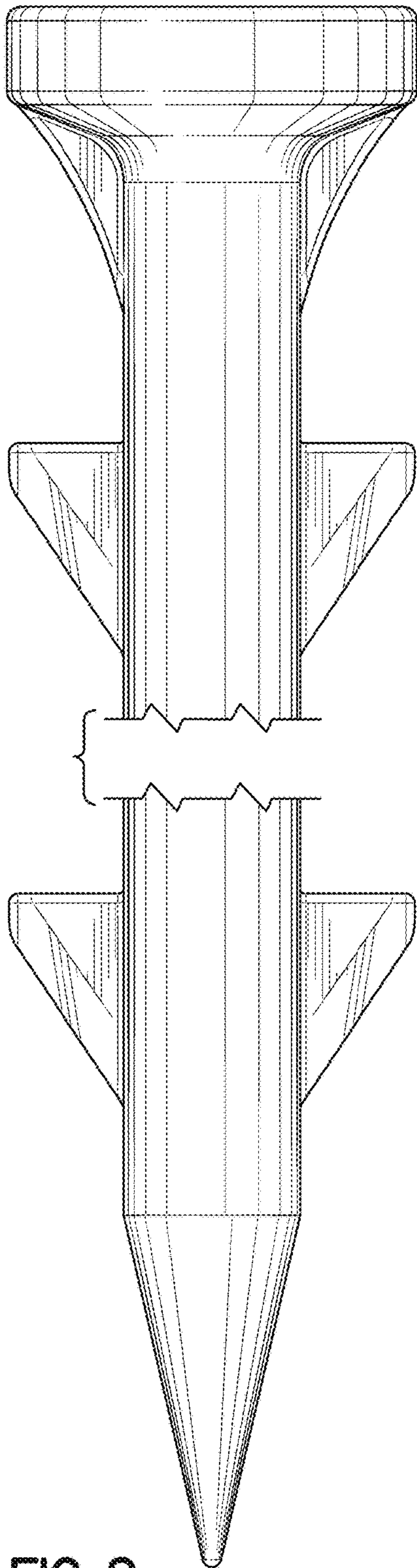


FIG. 2

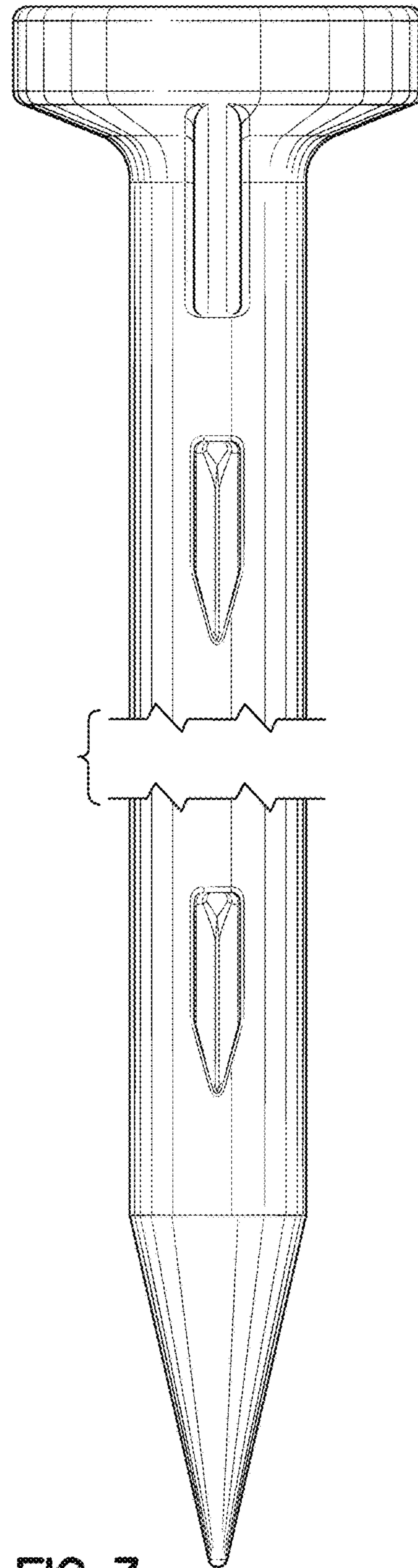


FIG. 3

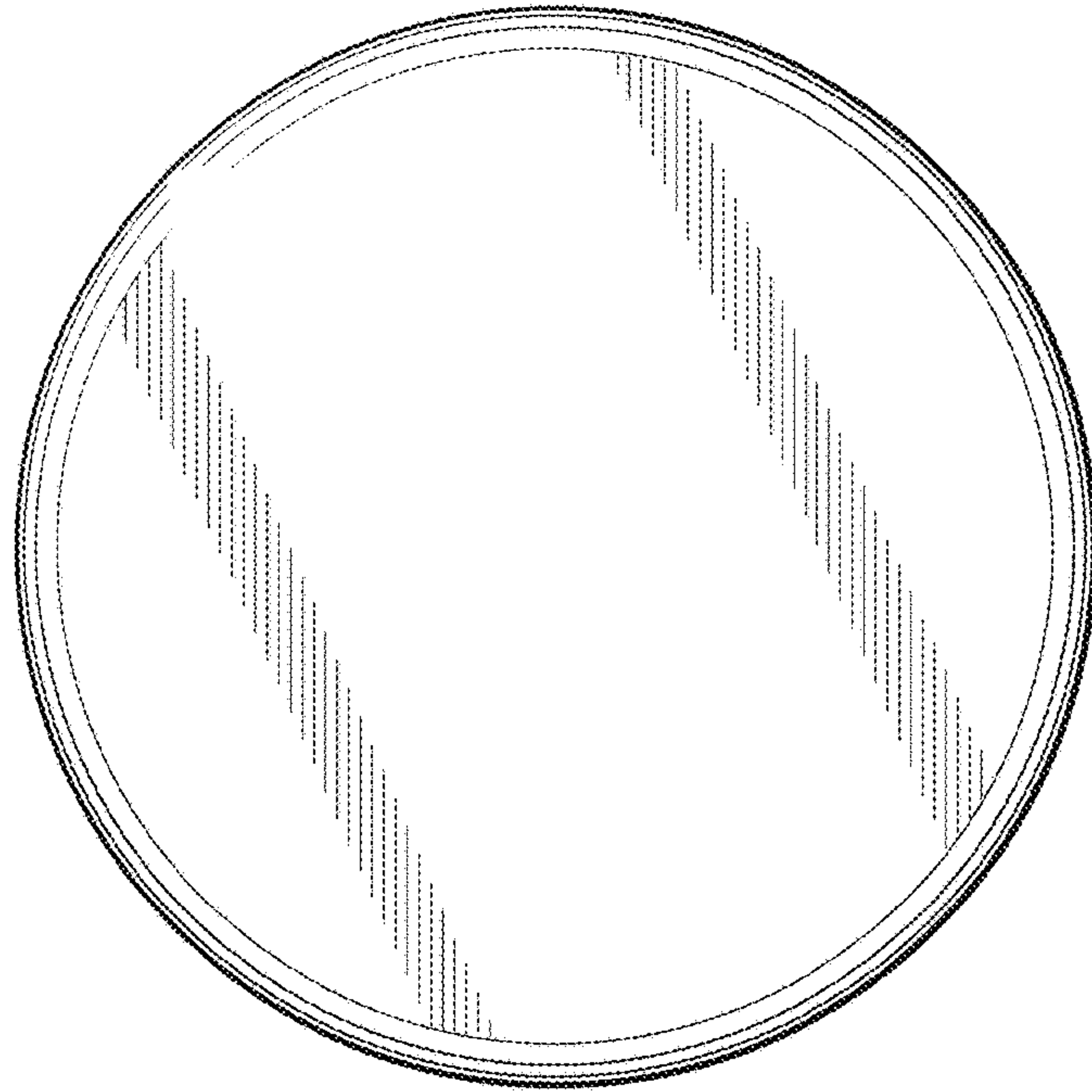


FIG. 4

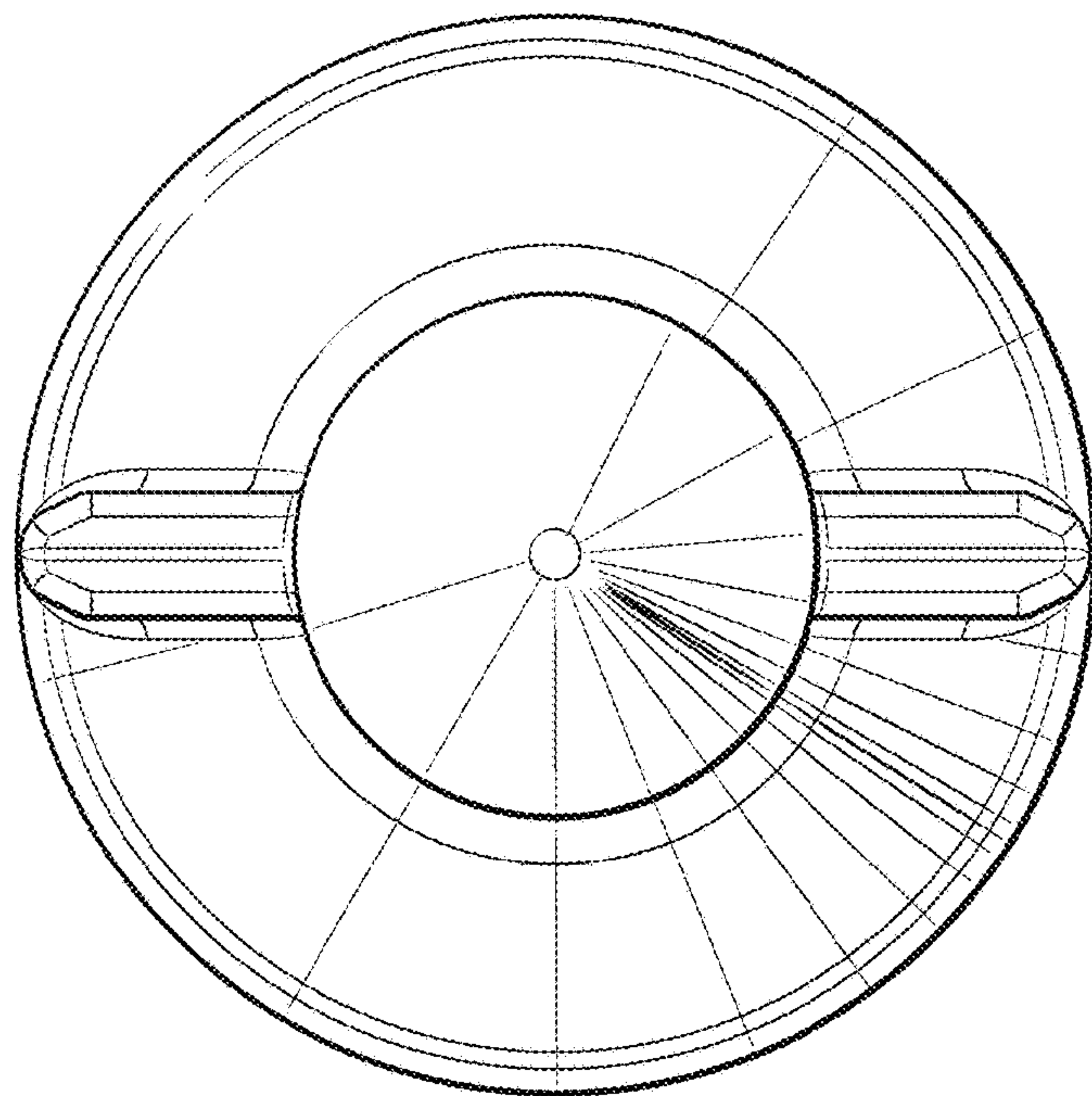


FIG. 5