



US00D843200S

(12) **United States Design Patent**
Tjerrild

(10) **Patent No.:** **US D843,200 S**
(45) **Date of Patent:** **** Mar. 19, 2019**

- (54) **WALL ANCHOR**
- (71) Applicant: **Food Grade Solutions, LLC**, Fowler, CA (US)
- (72) Inventor: **James Tjerrild**, Clovis, CA (US)
- (73) Assignee: **FOOD GRADE SOLUTIONS, LLC**, Fowler, CA (US)
- (**) Term: **15 Years**
- (21) Appl. No.: **29/642,574**
- (22) Filed: **Mar. 30, 2018**
- (51) **LOC (11) Cl.** **08-08**
- (52) **U.S. Cl.**
USPC **D8/385**; D8/387
- (58) **Field of Classification Search**
USPC D8/387, 382, 385, 388, 391, 393, 349, D8/354, 383, 499
CPC .. F16B 23/00; F16B 23/0015; F16B 23/0023; F16B 23/003; F16B 23/0038; F16B 23/0046; F16B 23/0061; F16B 25/0036; F16B 25/103; F16B 25/106; F16B 13/00; F16B 13/124; F16B 33/02; F16B 35/04; F16B 35/06; F16B 35/041
See application file for complete search history.

- (56) **References Cited**
U.S. PATENT DOCUMENTS
1,705,086 A * 3/1929 Ferguson F16B 35/06 411/107
3,711,138 A * 1/1973 Davis F16B 5/02 403/408.1
D313,344 S * 1/1991 Tritle D8/387
5,339,593 A * 8/1994 Ludwig F16B 13/00 411/82
D381,892 S * 8/1997 Porter D8/1
D398,363 S * 9/1998 LoBue D21/840

- 5,964,783 A * 10/1999 Grafton A61B 17/0401 606/232
- 7,727,235 B2 * 6/2010 Contiliano A61B 17/0401 606/86 A
- D816,469 S * 5/2018 Toomey D8/387
- 2002/0173822 A1 * 11/2002 Justin A61B 17/0401 606/232
- 2008/0124188 A1 * 5/2008 Chang F16B 25/0026 411/387.8
- 2011/0117355 A1 * 5/2011 Selle F16B 12/20 428/223
- 2012/0183371 A1 * 7/2012 Druschel F16B 25/0015 411/387.1
- 2015/0117979 A1 * 4/2015 Anderson F16B 35/06 411/378
- 2015/0176624 A1 * 6/2015 Bosco F16B 25/0057 411/387.2

(Continued)

Primary Examiner — Sandra S Snapp
Assistant Examiner — Ieisha N Price
(74) *Attorney, Agent, or Firm* — Neal, Gerber & Eisenberg LLP

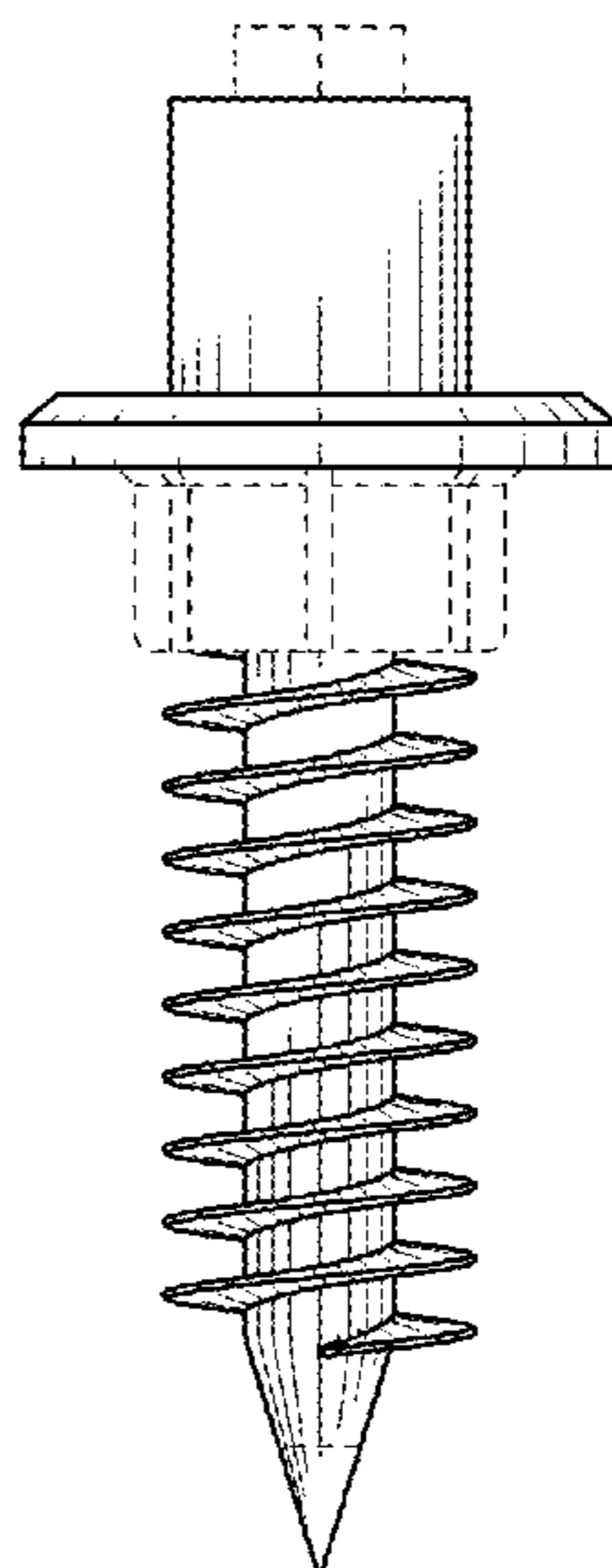
(57) **CLAIM**

The ornamental design for a wall anchor, as shown and described.

DESCRIPTION

FIG. 1 is a top, front perspective view of a wall anchor embodying the design;
FIG. 2 is a front view of the design shown in FIG. 1;
FIG. 3 is a rear view of the design shown in FIG. 1;
FIG. 4 is a left side view of the design shown in FIG. 1;
FIG. 5 is a right side view of the design shown in FIG. 1;
FIG. 6 is a top plan view of the design shown in FIG. 1; and
FIG. 7 is a bottom plan view of the design shown in FIG. 1.
The broken lines in the drawings illustrate portions of the wall anchor and form no part of the claimed design.

1 Claim, 2 Drawing Sheets



(56)

References Cited

U.S. PATENT DOCUMENTS

2015/0313659 A1* 11/2015 Miyawaki A61C 7/00
606/303

* cited by examiner

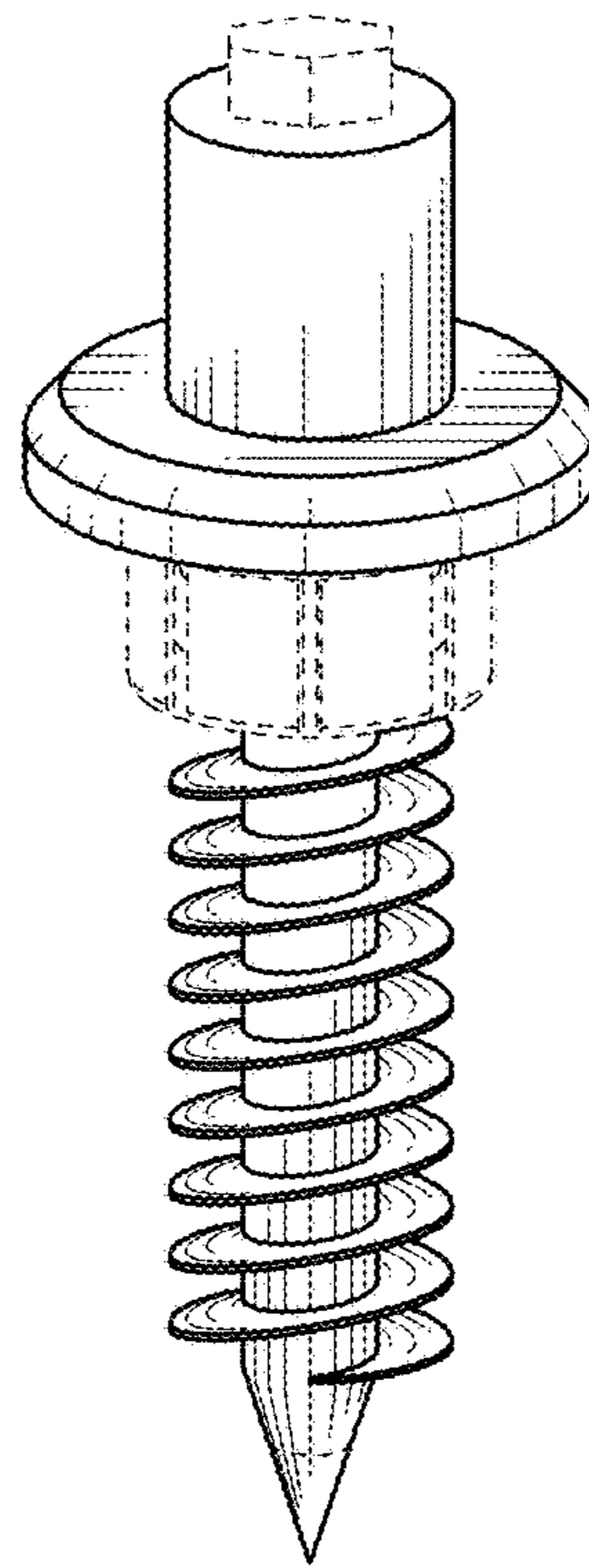


FIG. 1

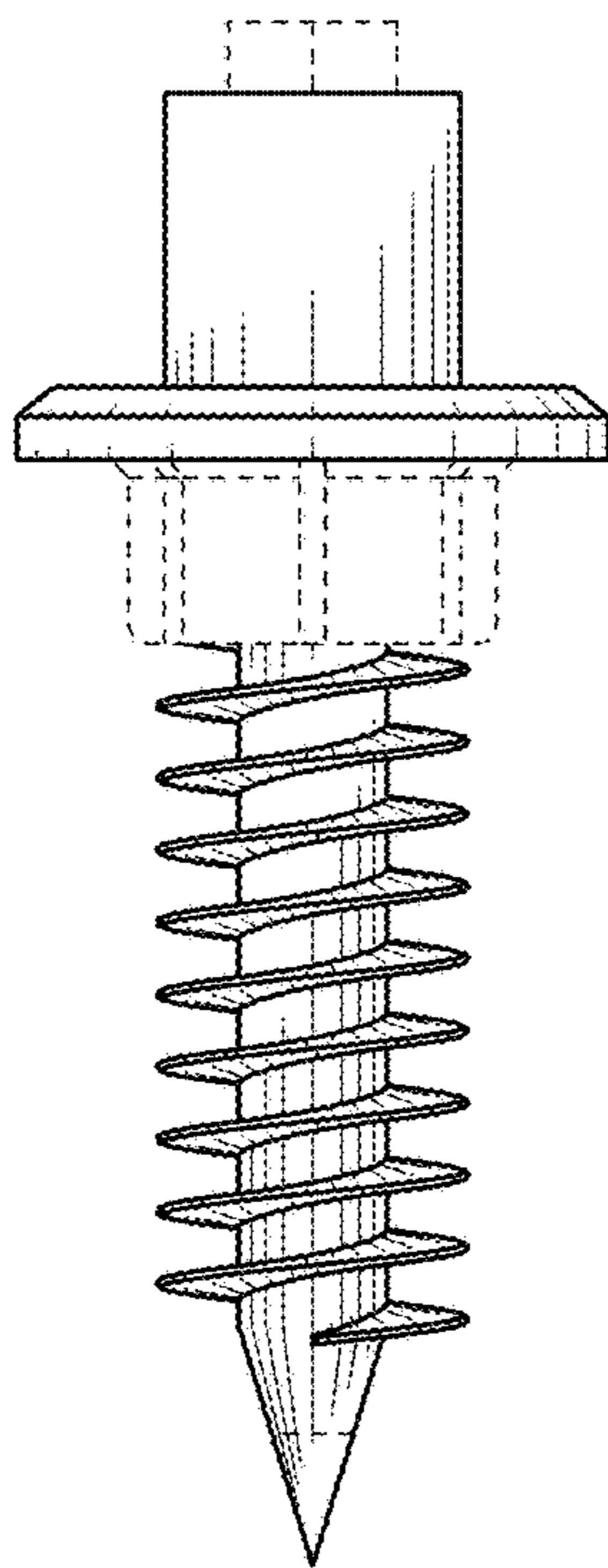


FIG. 2

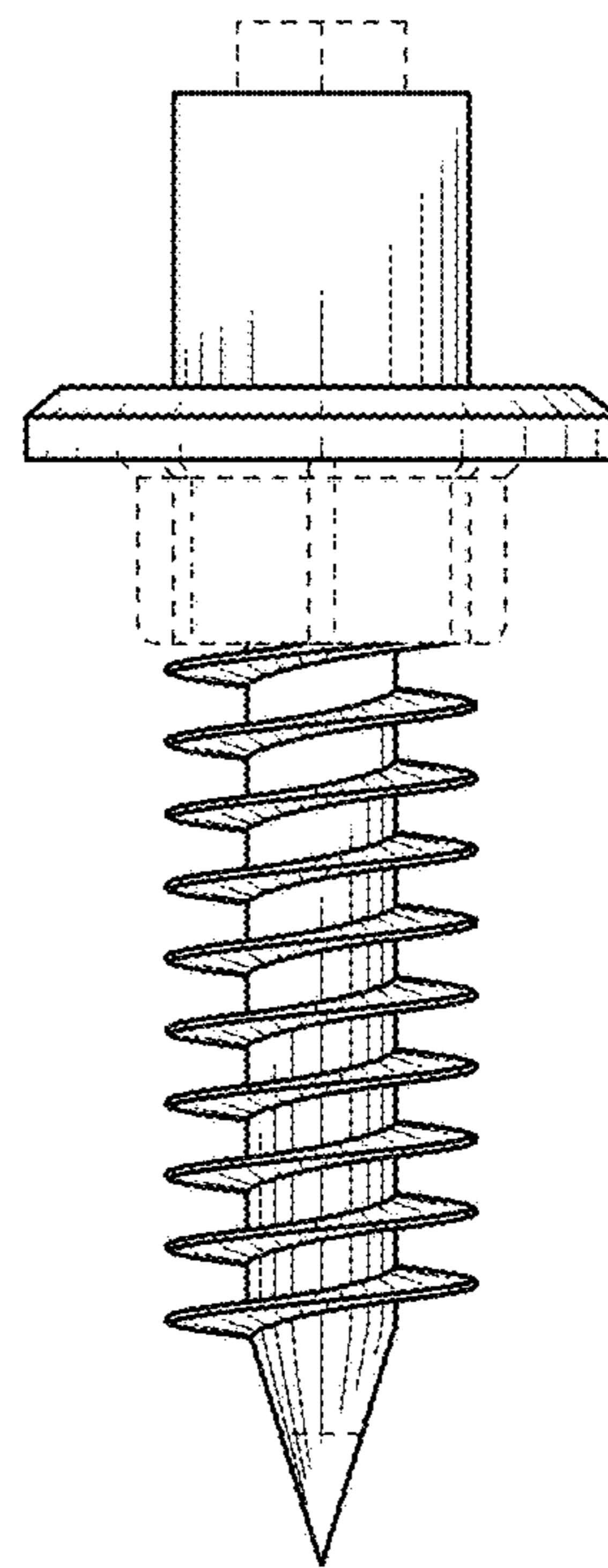


FIG. 3

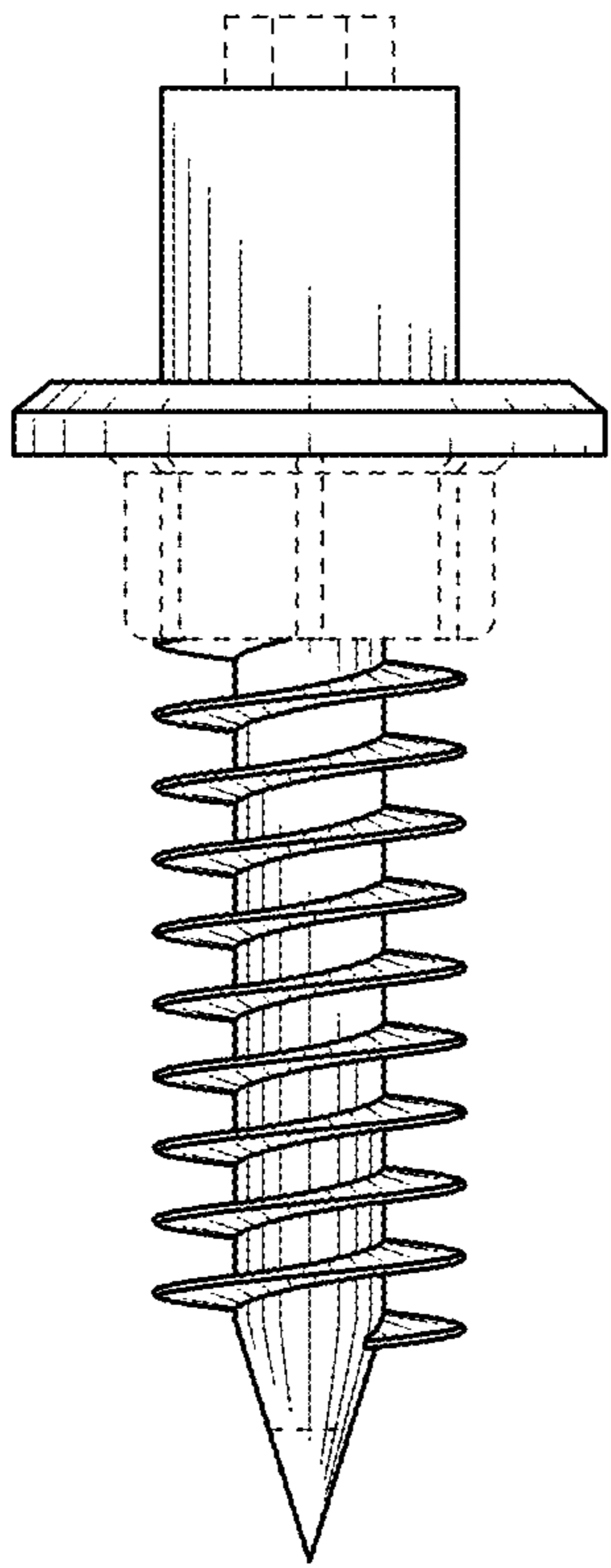


FIG. 4

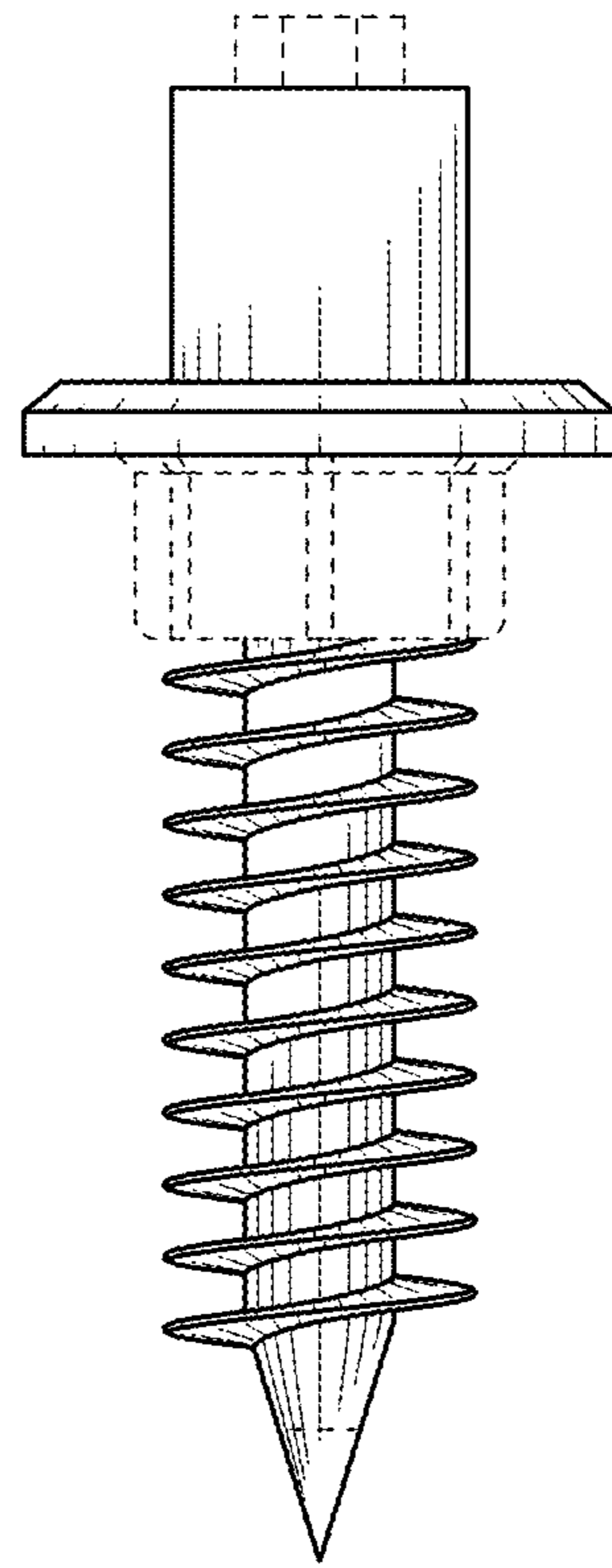


FIG. 5

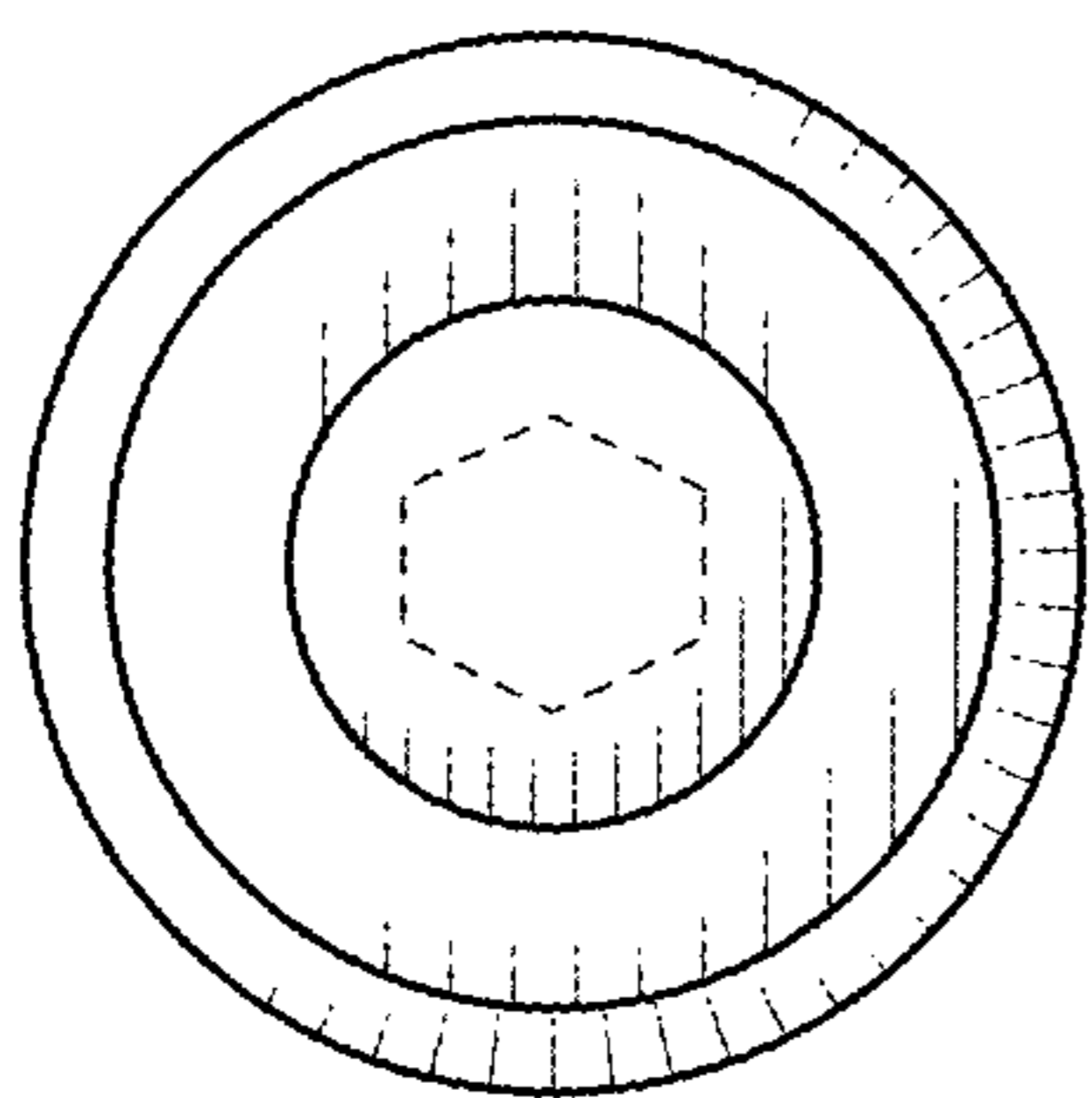


FIG. 6

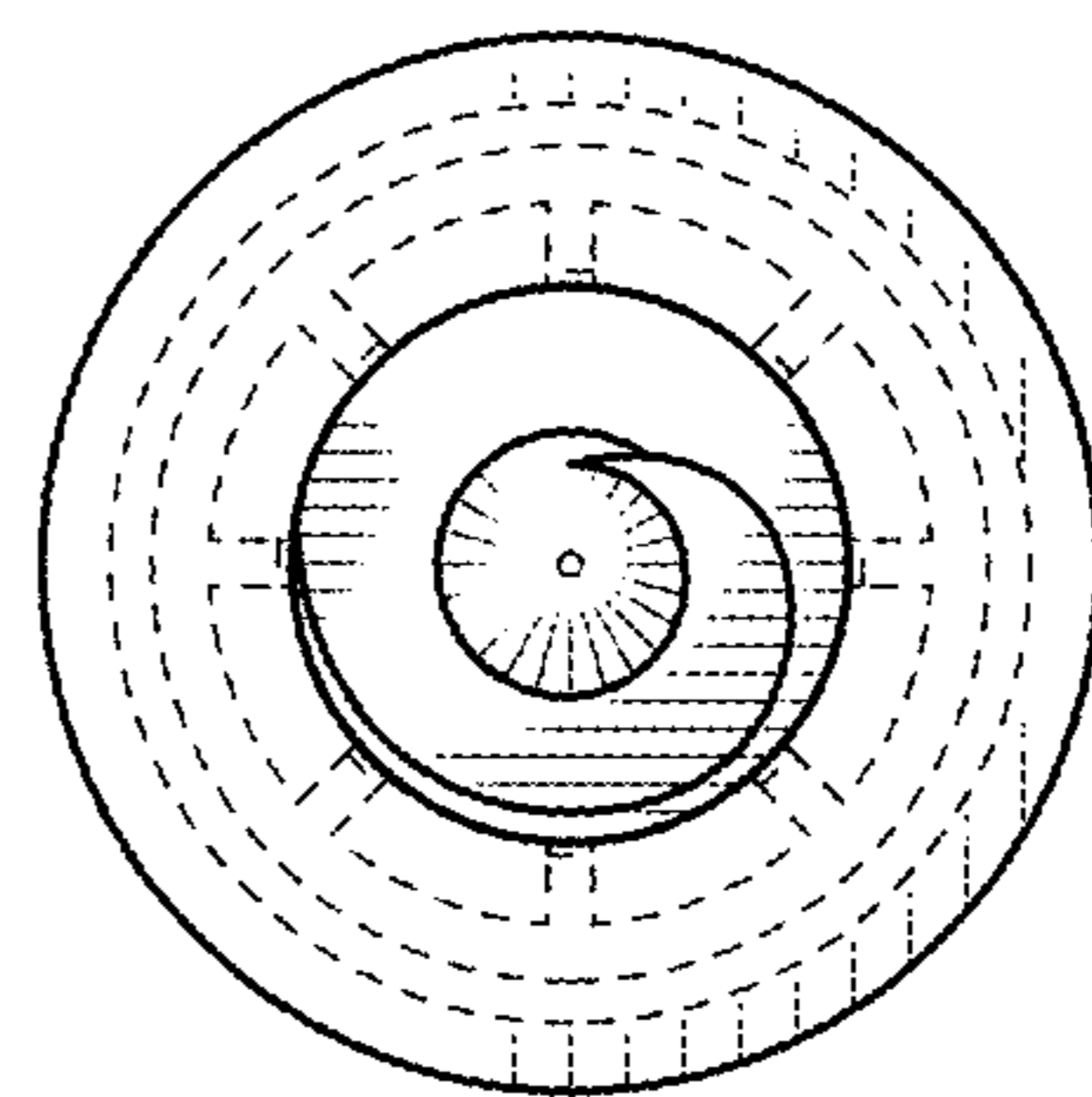


FIG. 7