



US00D843199S

(12) **United States Design Patent**
Stener

(10) **Patent No.:** **US D843,199 S**

(45) **Date of Patent:** **** Mar. 19, 2019**

(54) **ADAPTOR RAIL FOR SUPPORTING AN ELECTRONIC DEVICE**

(71) Applicant: **Wild West Investments, LLC**, Dallas, TX (US)

(72) Inventor: **Gavin Stener**, Dallas, TX (US)

(73) Assignee: **Wild West Investments, LLC**, Dallas, TX (US)

(**) Term: **15 Years**

(21) Appl. No.: **29/663,170**

(22) Filed: **Sep. 12, 2018**

Related U.S. Application Data

(62) Division of application No. 29/654,050, filed on Jun. 20, 2018, now Pat. No. Des. 838,579.

(51) **LOC (11) Cl.** **08-05**

(52) **U.S. Cl.**
USPC **D8/380**

(58) **Field of Classification Search**

USPC D14/371-382, 125-129, 336, 337, D14/447-452, 492, 335, 239, 457, D14/439-441, 432, 251-253, 413, 416; D8/349, 354, 363, 373, 376, 380, 356, D8/377, 381; D21/333, 565; D12/133, D12/415; D3/10, 218; 348/180, 184, 348/325, 739, 825; 248/323, 278.1, 248/286.1; D6/580; D13/122; D25/119, D25/124

CPC G06F 3/0412; G06F 3/016; G06F 3/0488; G06F 3/011; G06F 3/038; G06F 3/03543; G06F 3/0338; G06F 3/0202; G06F 3/0219; G06F 3/0213; G06F 1/1616; G06F 3/023; G06F 3/04883; G02F 1/13338; G02F 1/1313; G02F 1/1333; G02F 1/135; G02F 1/132; G02F 1/133308; G02F 1/134309; G02F 1/13718; G09G 3/3648; G06K 15/1252;

B41J 2/465; G03F 7/70291; G02B 27/0172; G02B 5/30; G02B 2027/0118; G02B 27/0101; F16M 13/02; F16M 13/00; F16M 11/10; F16M 11/04; F16M 2200/08; F16M 11/2021; A47B 21/0314; A47B 88/044; A47B 2021/0335; H02G 3/126; F16B 47/00; F16B 47/006; A47G 1/17; A47K 2201/00

See application file for complete search history.

(56) **References Cited**

U.S. PATENT DOCUMENTS

D251,467 S	*	4/1979	Anderson	D6/580
D290,719 S		7/1987	Holloway		
D317,331 S		6/1991	Holloway		
D373,761 S		9/1996	Yu		
D390,709 S		2/1998	Moore		

(Continued)

Primary Examiner — Katie Jane Stofko

(74) *Attorney, Agent, or Firm* — Dentons US LLP

(57) **CLAIM**

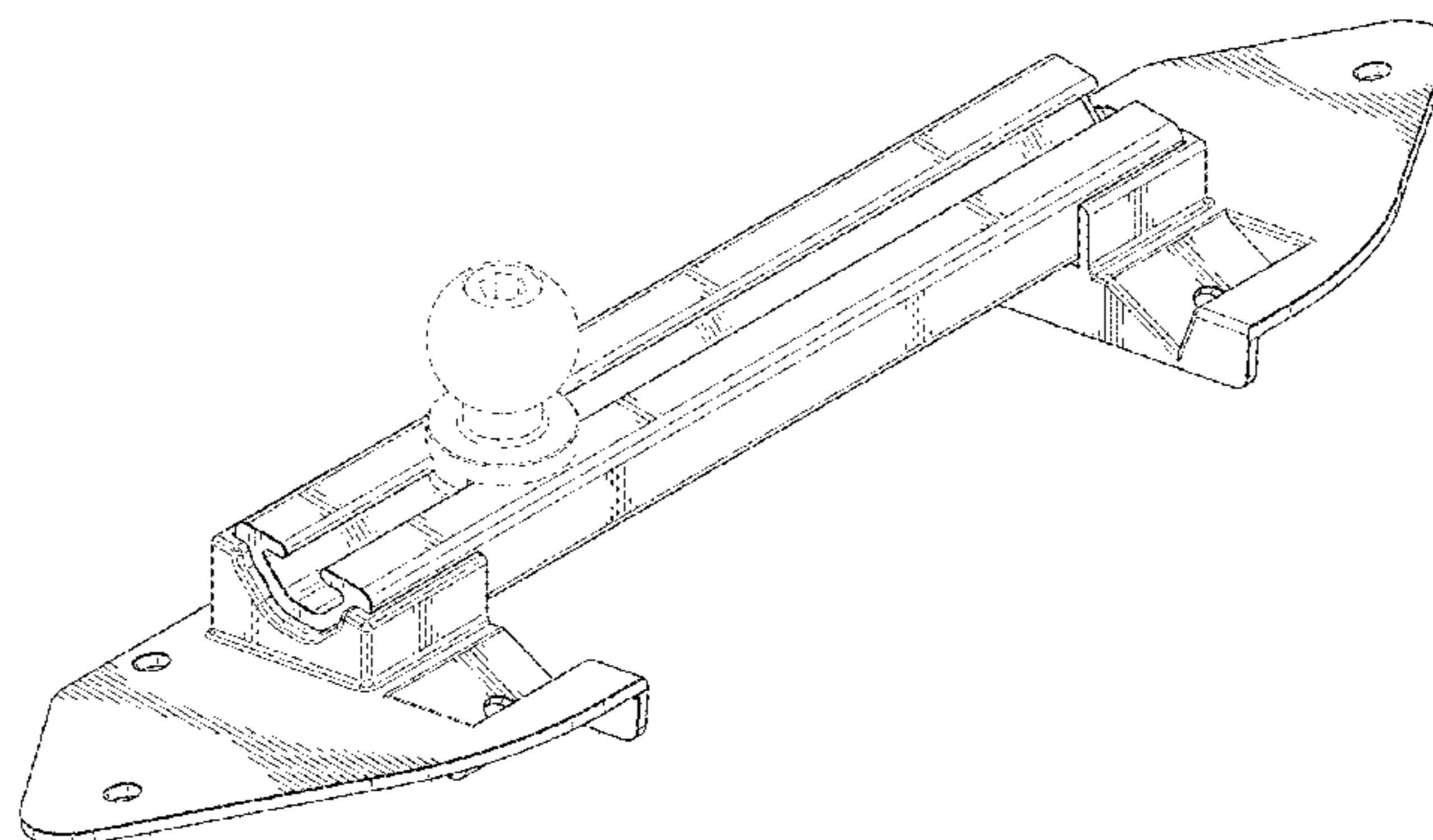
An ornamental design for an adapter rail for supporting an electronic device, as shown and described.

DESCRIPTION

FIG. 1 is a front, top, left perspective view of an adapter rail for supporting an electronic device;
FIG. 2 is a front elevation view thereof;
FIG. 3 is a rear elevation view thereof;
FIG. 4 is a right side elevation view thereof;
FIG. 5 is a left side elevation view thereof;
FIG. 6 is a top plan view thereof; and,
FIG. 7 is a bottom plan view thereof.

The broken lines shown in FIG. 7 illustrate portions of the adapter rail for supporting an electronic device that form no part of the claimed design.

1 Claim, 4 Drawing Sheets



US D843,199 S

Page 2

(56)

References Cited

U.S. PATENT DOCUMENTS

5,855,342	A *	1/1999	Hawkins	F16L 3/24 248/55
D409,182	S	5/1999	Tyler		
5,927,041	A *	7/1999	Sedlmeier	E04B 9/064 248/49
5,984,243	A *	11/1999	Pfaller	F16L 3/1066 248/74.1
D554,137	S	10/2007	Richter		
7,401,995	B2 *	7/2008	Senakiewich, II	B60P 7/0815 403/374.4
7,448,822	B2 *	11/2008	Nebeker	B60R 13/0206 24/580.1
D592,487	S	5/2009	Tedesco		
7,604,444	B2 *	10/2009	Wu	F16B 37/046 411/104
D657,783	S	4/2012	Mo		
D686,622	S	7/2013	Rey		
D718,298	S	11/2014	Aspinall		
D723,559	S	3/2015	Hein		
D732,519	S	6/2015	Aspinall		
D733,116	S	6/2015	Aspinall		
D741,689	S	10/2015	Metzler		
D748,640	S	2/2016	Hart		
D753,983	S	4/2016	Toye		
D754,527	S	4/2016	Green		
9,671,060	B1 *	6/2017	Cifers	F16M 13/02
D792,418	S	7/2017	Stener		
D810,008	S *	2/2018	Mollison	D13/102
2004/0251388	A1	12/2004	Williams		
2005/0045779	A1	3/2005	Nan		
2007/0120036	A1 *	5/2007	Olle	F16L 3/24 248/615
2012/0045276	A1 *	2/2012	Carnevali	F16B 7/20 403/350
2013/0248668	A1 *	9/2013	Lu	H02S 20/00 248/222.14
2015/0030386	A1 *	1/2015	Carnevali	F16B 21/02 403/348

* cited by examiner

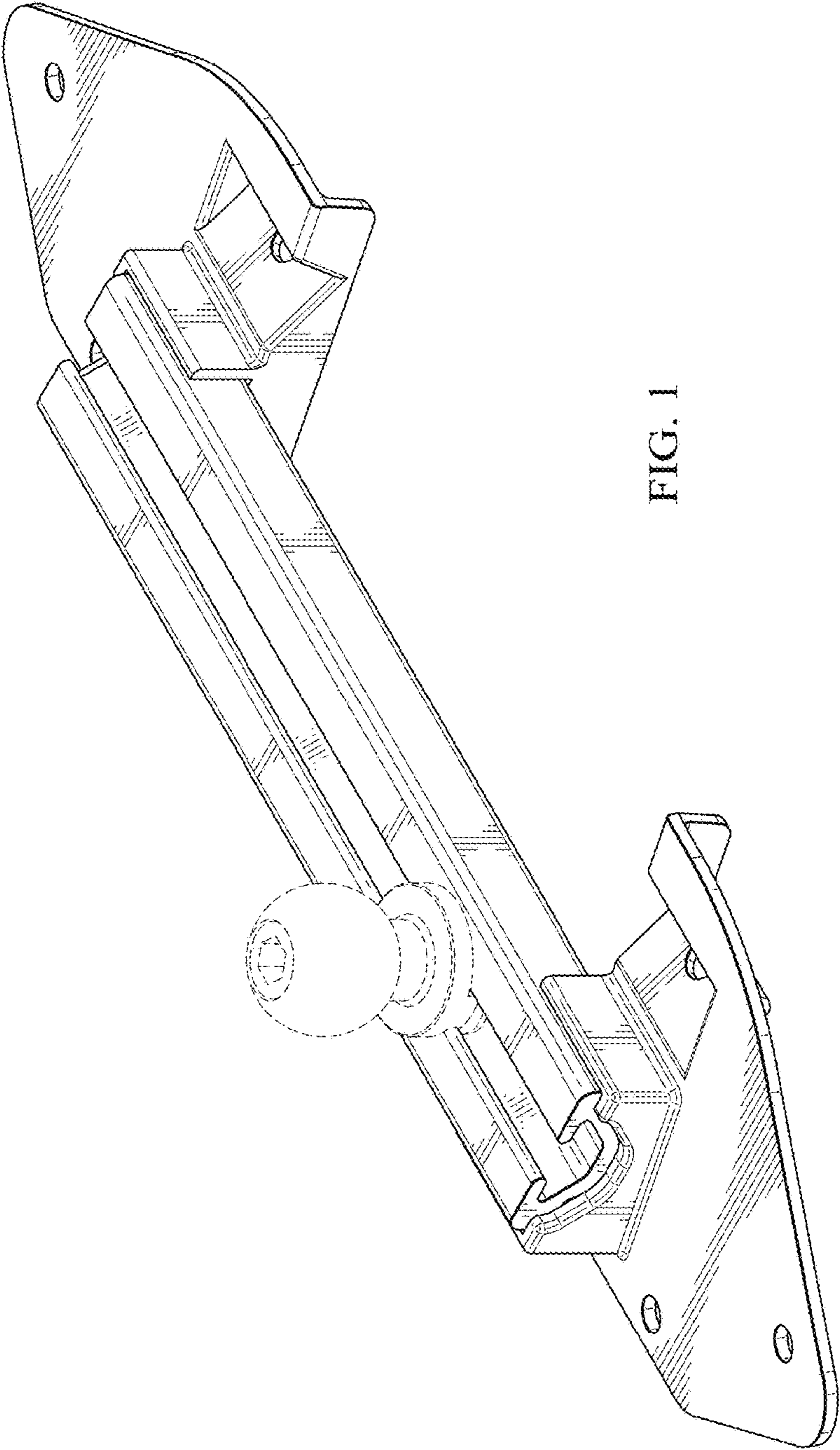


FIG. 1

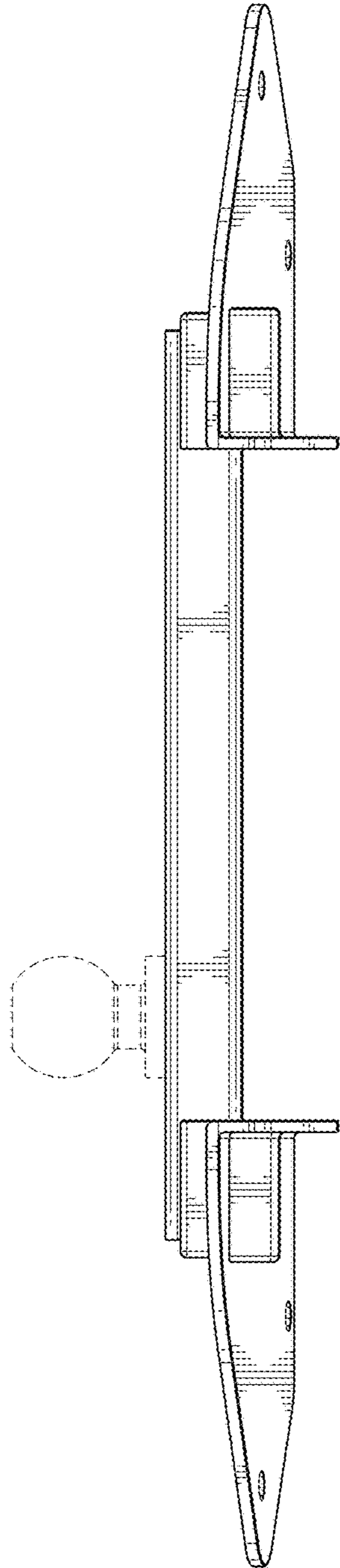


FIG. 2

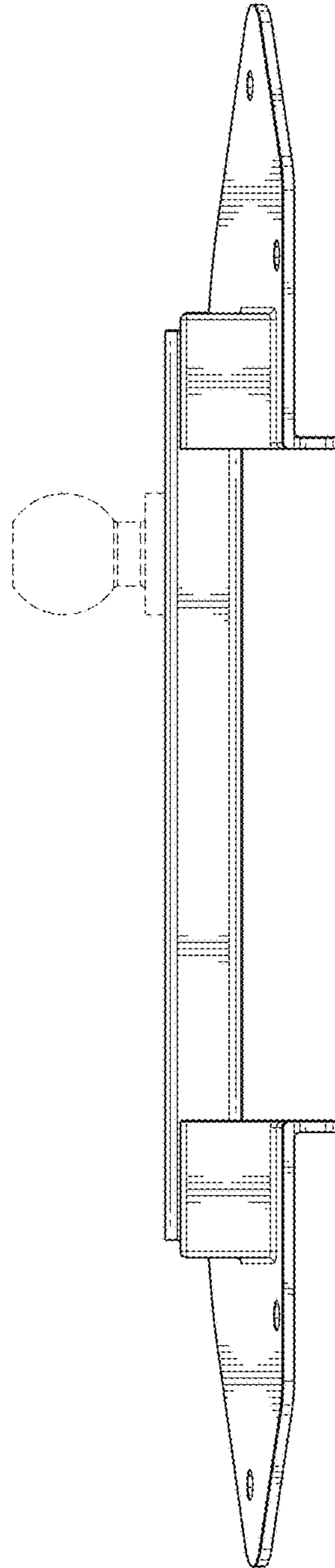


FIG. 3

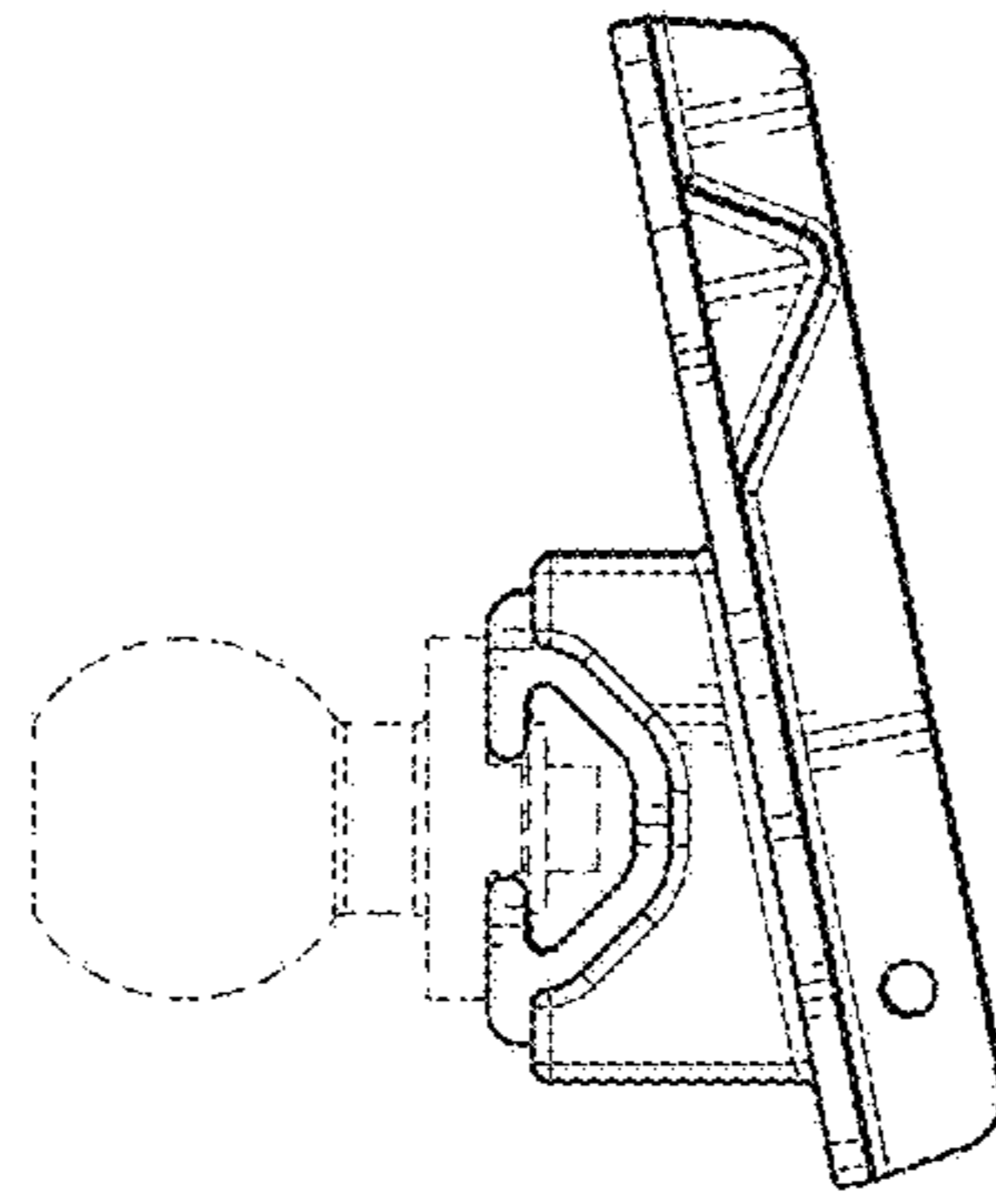


FIG. 5

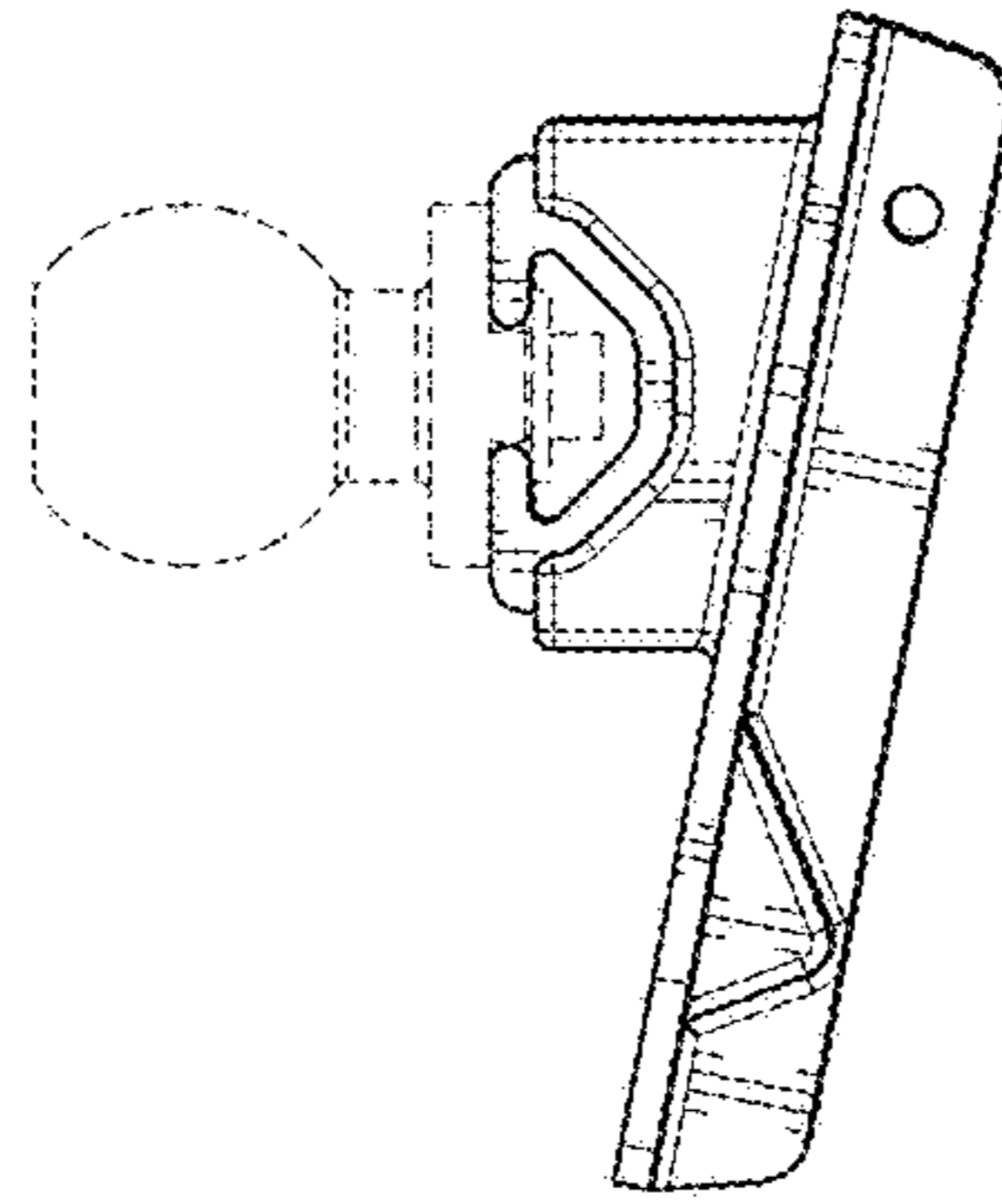


FIG. 4

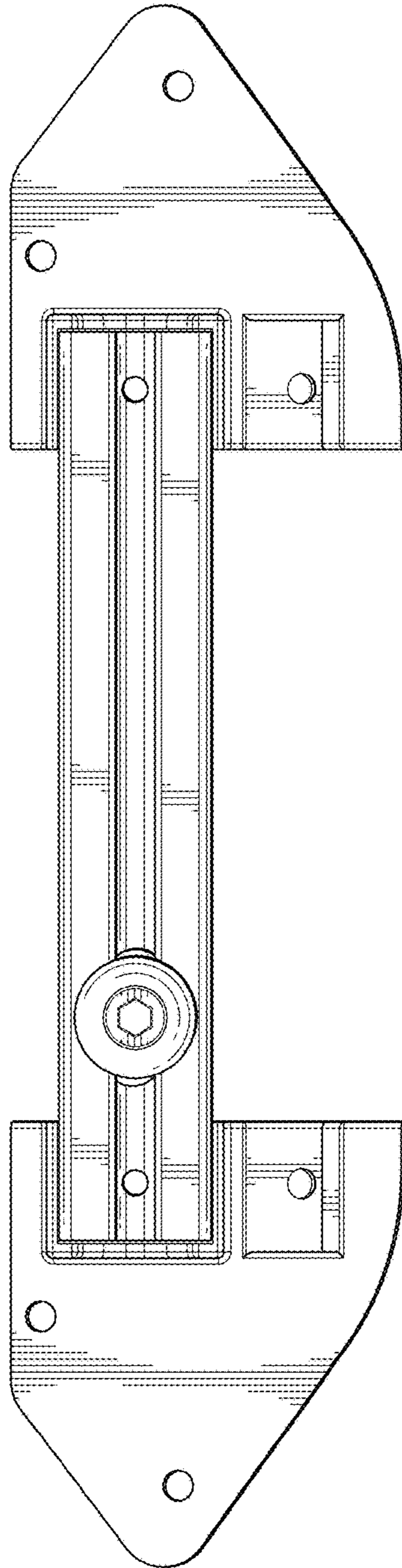


FIG. 6

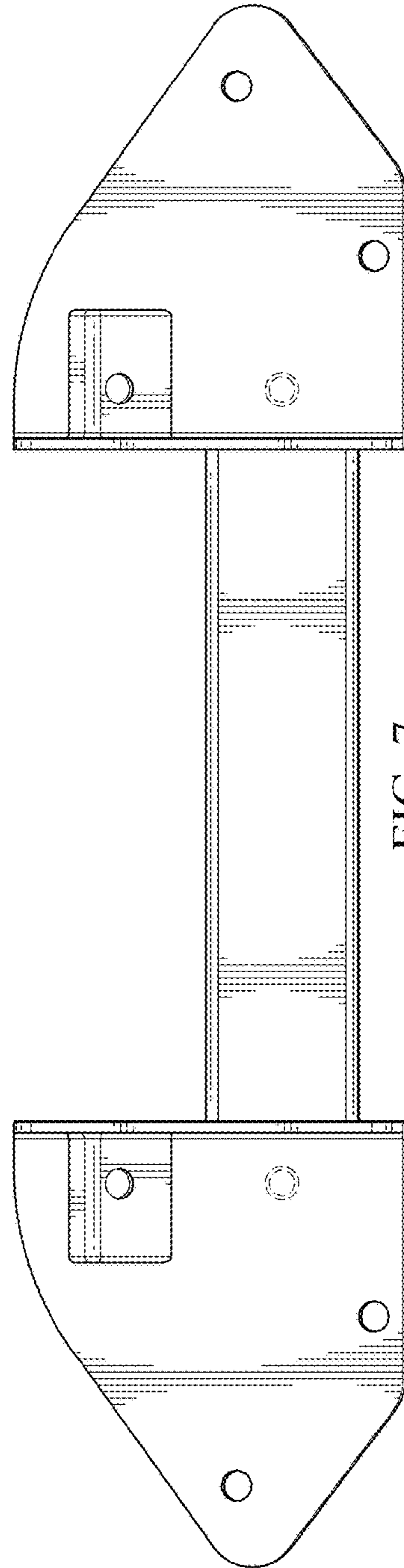


FIG. 7