



US00D843197S

(12) **United States Design Patent**
Dempsey et al.

(10) **Patent No.:** **US D843,197 S**
(45) **Date of Patent:** **** Mar. 19, 2019**

(54) **BAR MOUNT FOR AN ELECTRONIC DISPLAY DEVICE**

(71) Applicant: **TomTom International B.V.**,
Amsterdam (NL)

(72) Inventors: **Mark Lee Dempsey**, Beckenham (GB);
Daniel Browning, Amsterdam (NL);
Nicholas Alexander Evans, Amsterdam
(NL); **Andreas Schuh**, Amsterdam
(NL)

(73) Assignee: **TOMTOM INTERNATIONAL B.V.**,
Amsterdam (NL)

(**) Term: **15 Years**

(21) Appl. No.: **29/595,448**

(22) Filed: **Feb. 28, 2017**

(30) **Foreign Application Priority Data**

Aug. 29, 2016 (EP) 3355486

(51) **LOC (11) Cl.** **08-07**

(52) **U.S. Cl.**
USPC **D8/343; D8/330**

(58) **Field of Classification Search**
USPC D8/14, 330, 331, 343, 346, 349, 354;
D12/111, 112, 114, 107, 117, 400, 223;
70/1, 51, 52, 56, 57, 57.1, 237, 258, 233,
70/437; 74/551.1, 551, 2, 551.7, 551.8;
280/281.1, 288.4
CPC E05B 79/04; E05B 70/06; E05B 79/00;
E05B 85/02; E05B 85/24; B60K 35/00;
B60G 21/0551; B62K 11/14
See application file for complete search history.

(56) **References Cited**

U.S. PATENT DOCUMENTS

2,530,565 A * 11/1950 Briscoe A01B 35/10
172/447
5,752,711 A * 5/1998 Moreau B62J 1/04
280/276

D396,835 S * 8/1998 Roddy D12/114
D569,713 S * 5/2008 Sandidge D6/550
7,504,983 B2 * 3/2009 Chen B62J 11/00
342/20
7,677,771 B2 * 3/2010 Yamamoto B60K 35/00
180/90
D647,434 S * 10/2011 Chambers D12/114
D665,648 S * 8/2012 Cheung D8/330
8,317,214 B2 * 11/2012 Athanasiou B62K 11/14
280/276
8,882,092 B2 * 11/2014 Jang B60G 21/0551
267/141
9,318,886 B1 * 4/2016 Pate H01R 11/30
D795,327 S * 8/2017 Martin D16/242
D795,328 S * 8/2017 Martin D16/242

* cited by examiner

Primary Examiner — Elizabeth J Oswecki

(57) **CLAIM**

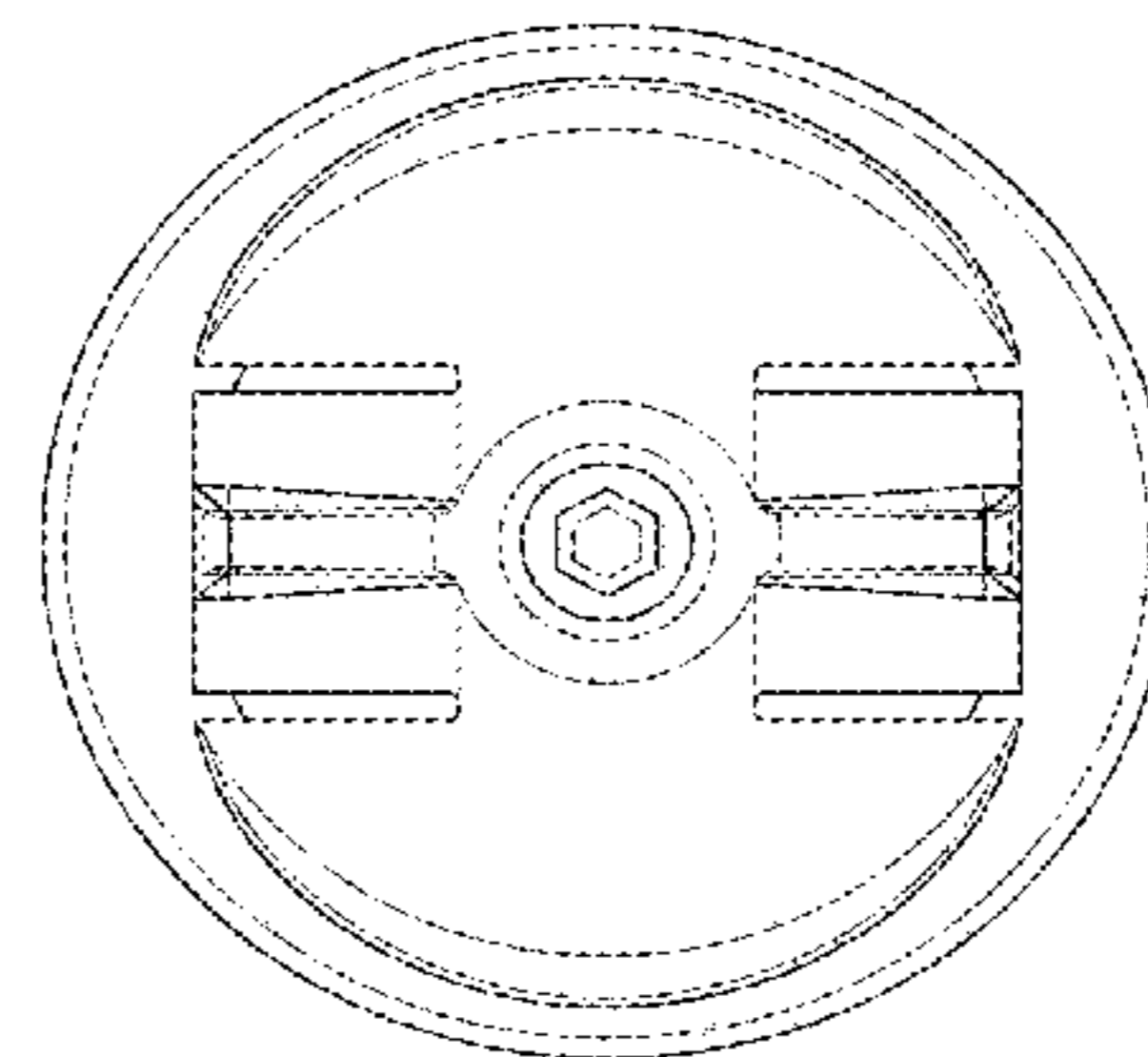
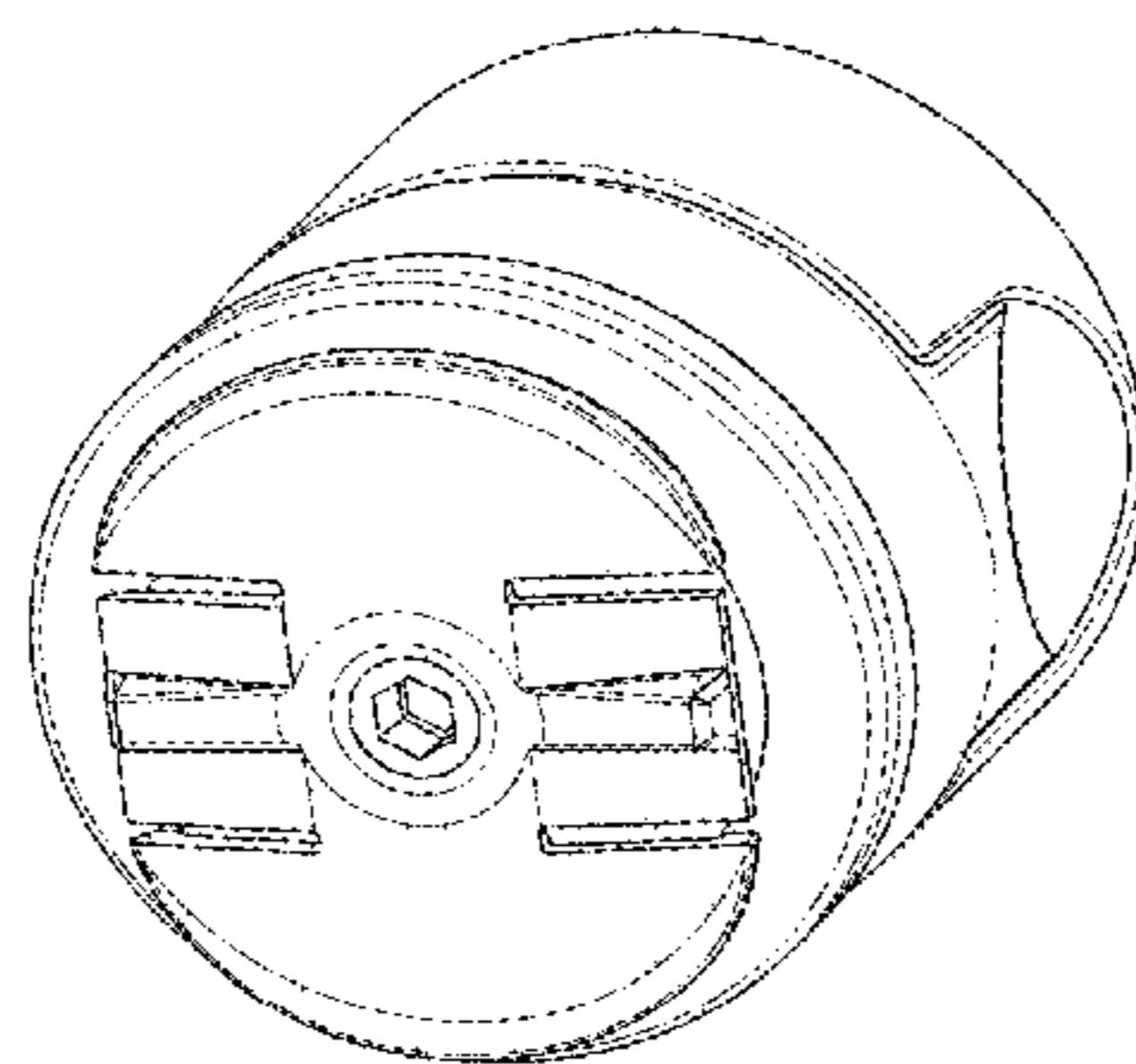
The ornamental design for a bar mount for an electronic display device, as shown and described.

DESCRIPTION

FIG. 1 is a perspective view of a bar mount for an electronic display device showing our new design;
FIG. 2 is a front elevational view thereof;
FIG. 3 is a rear elevational view thereof;
FIG. 4 is a left side elevational view thereof;
FIG. 5 is a right side elevational view thereof;
FIG. 6 is a top plan view thereof; and,
FIG. 7 is a bottom plan view thereof.

The broken lines illustrate unclaimed portions of the bar mount for an electronic device and form no part of the claimed design.

1 Claim, 4 Drawing Sheets



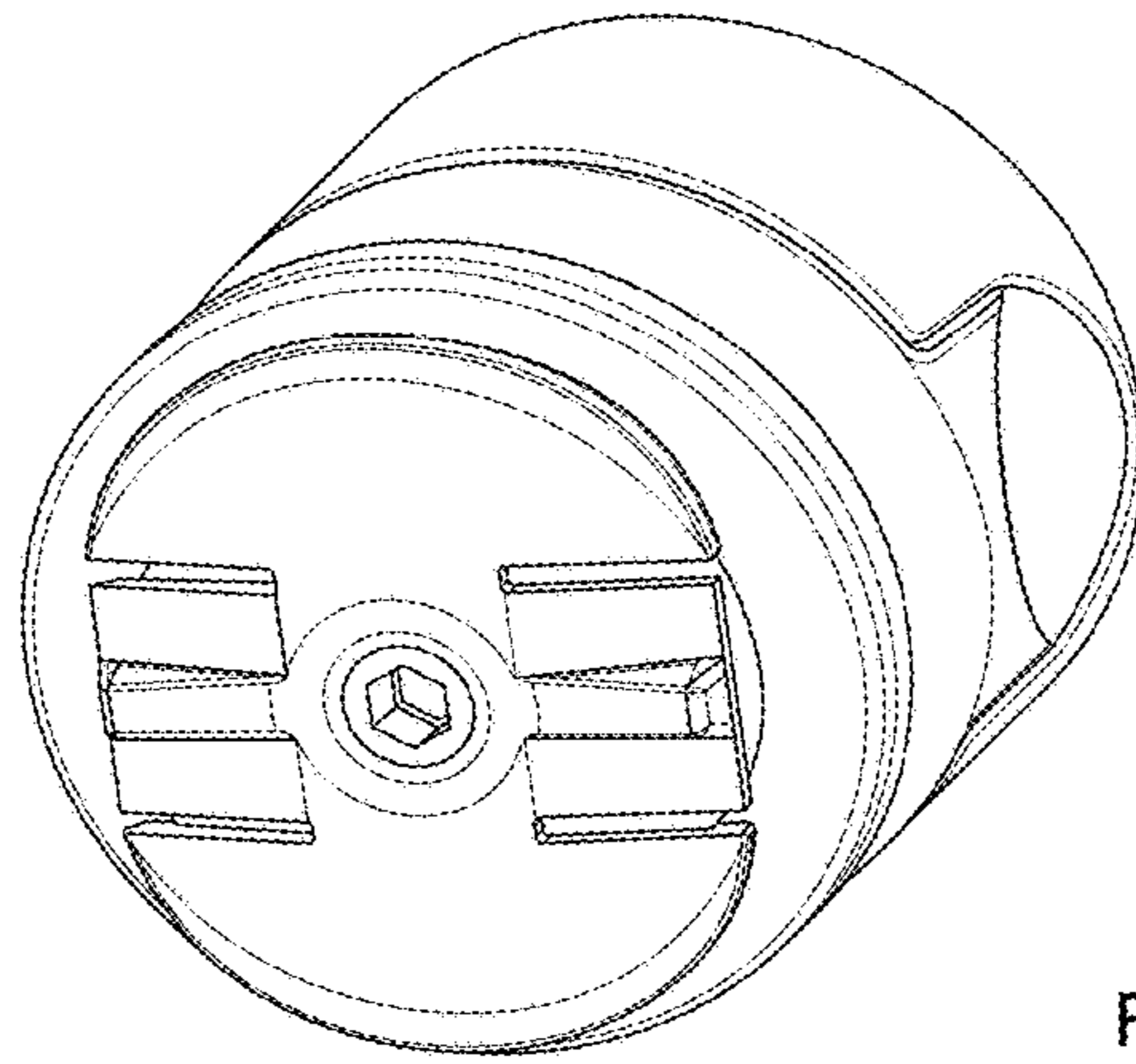


FIG. 1

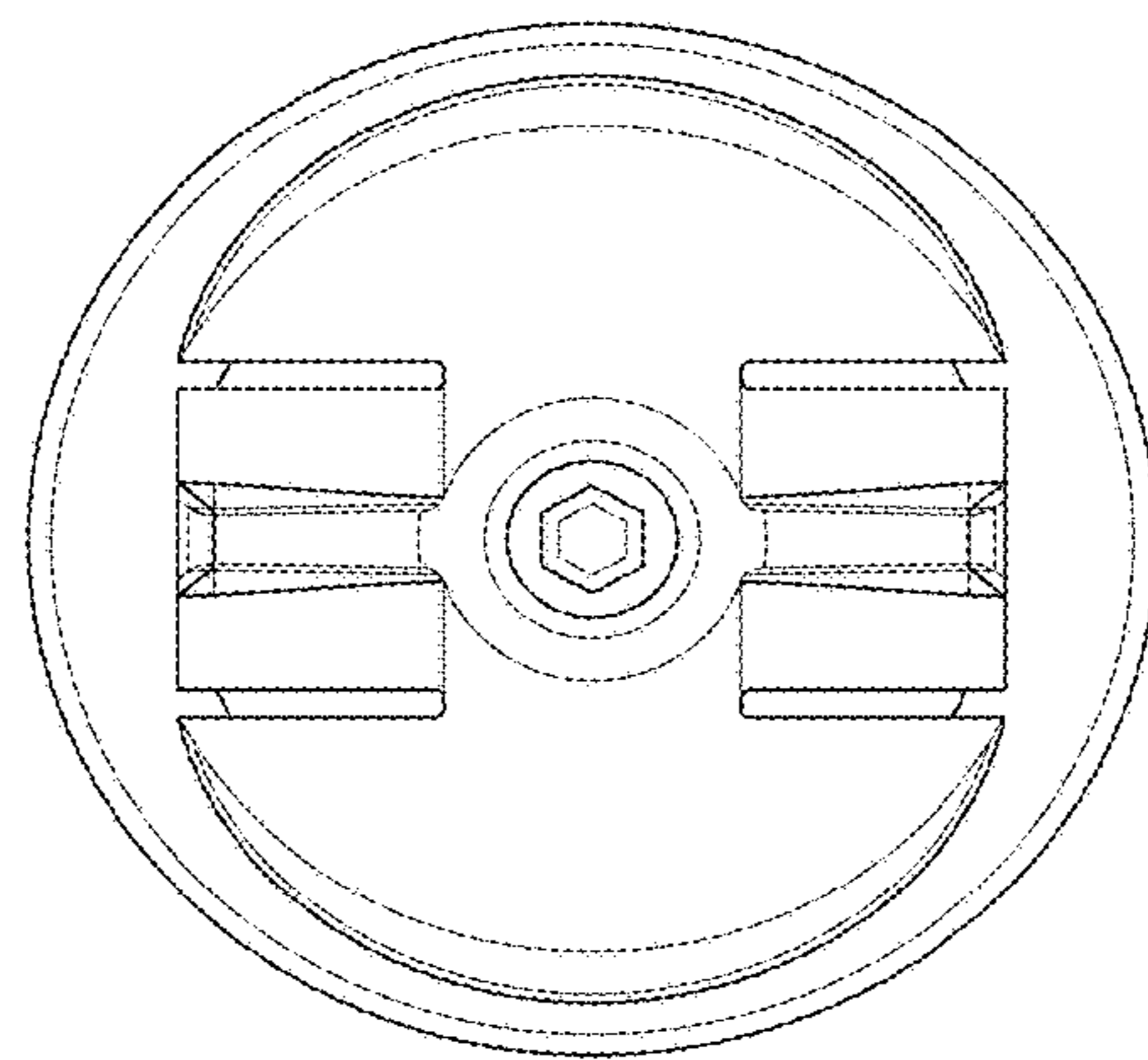


FIG. 2

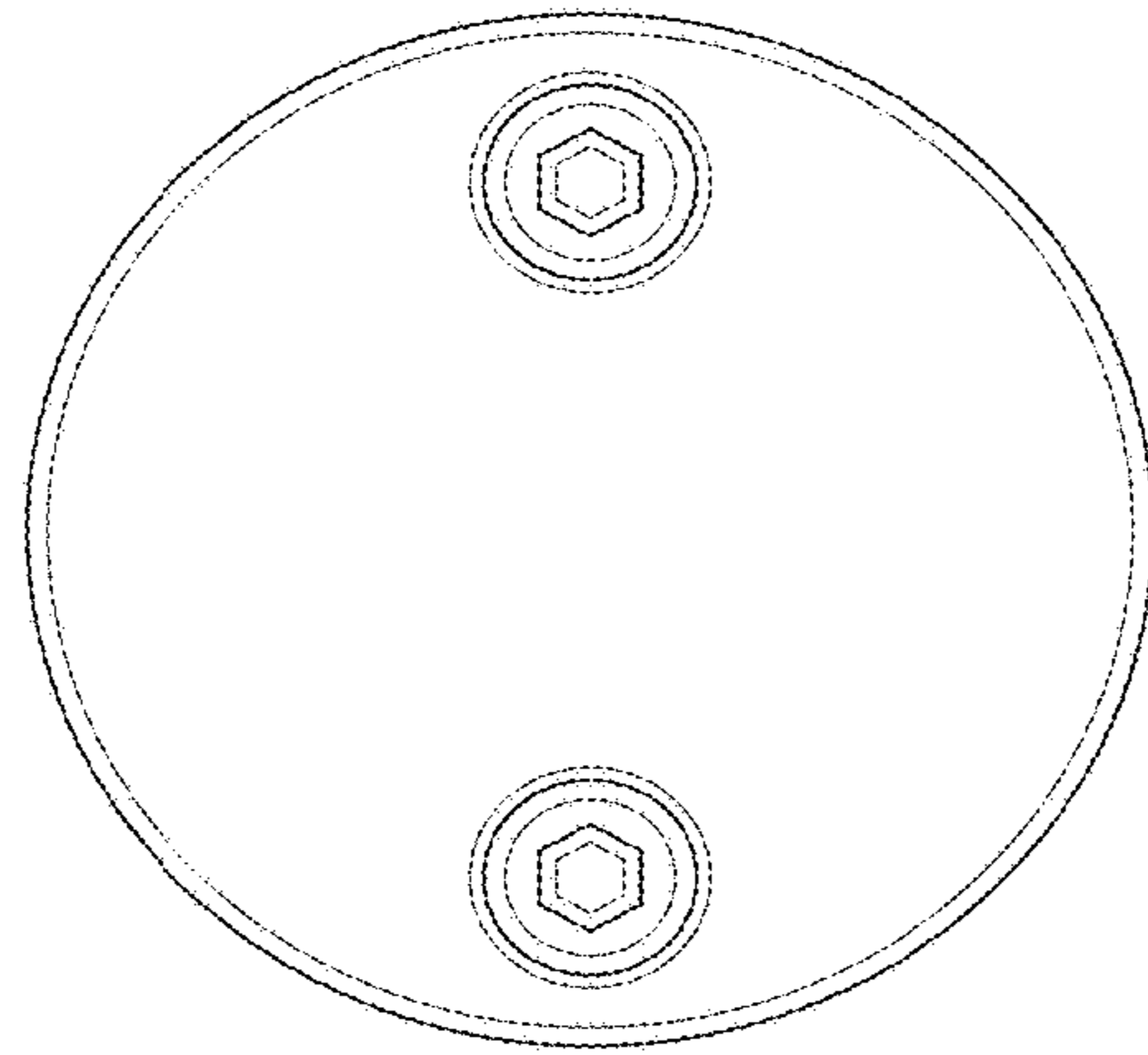


FIG. 3

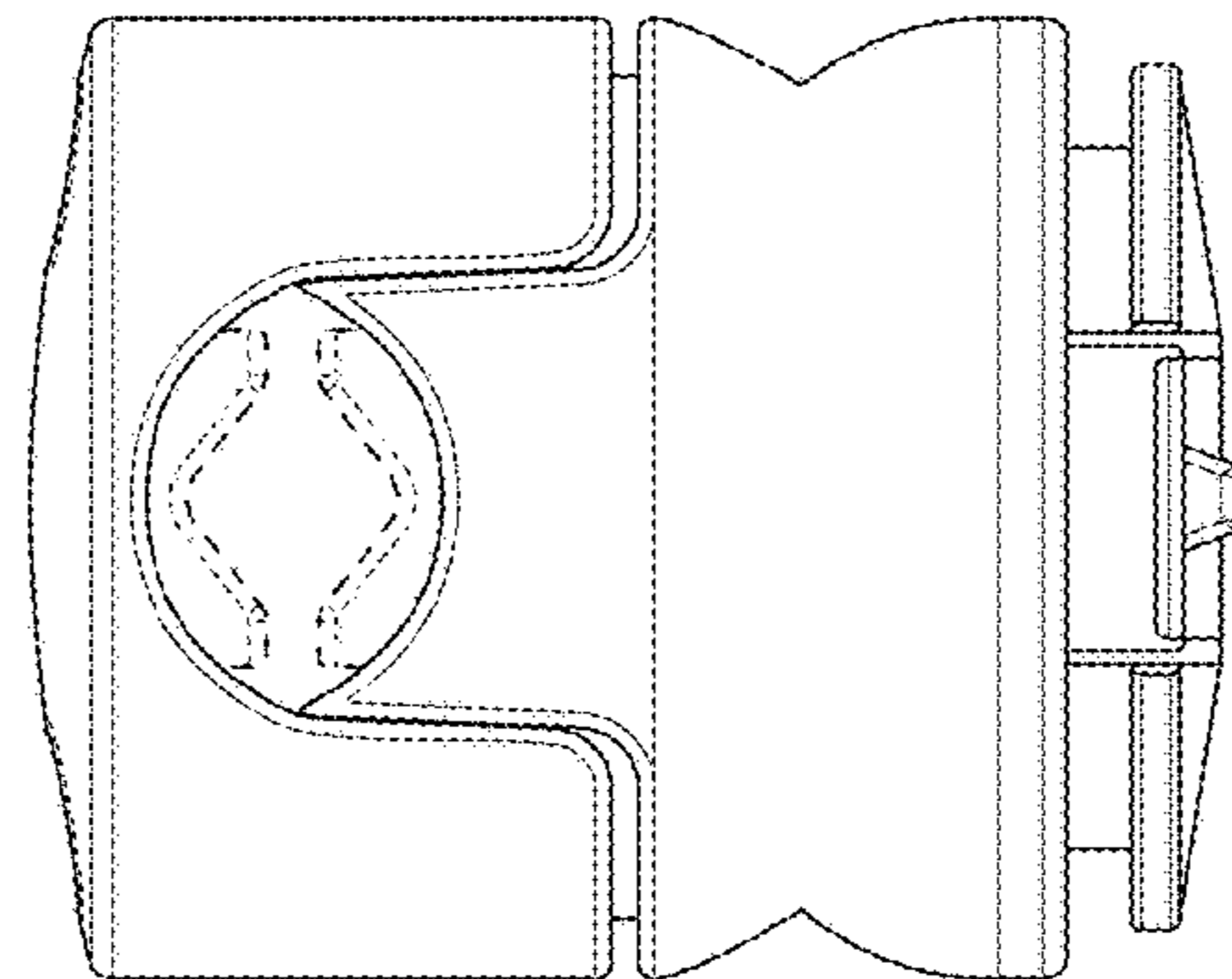


FIG. 4

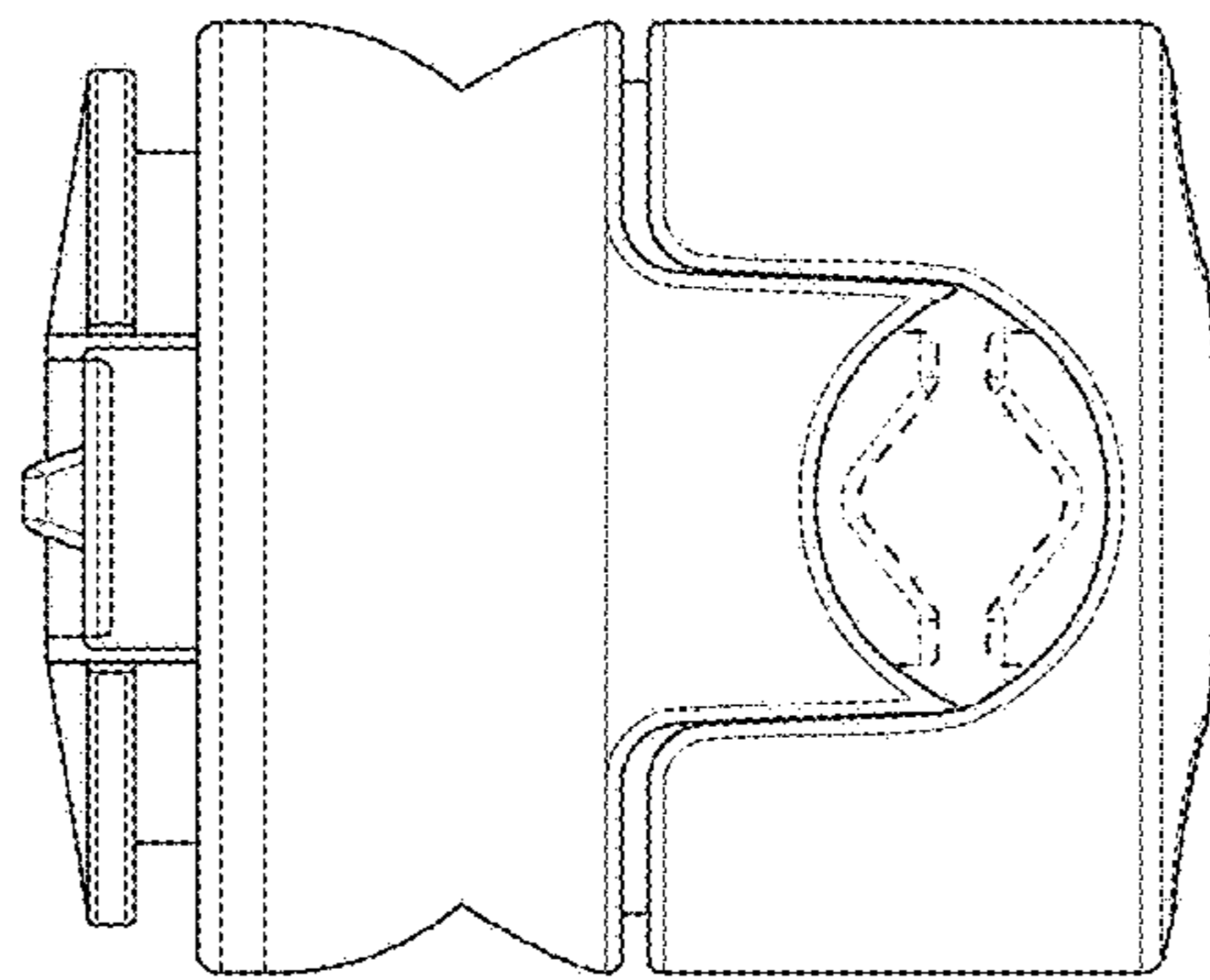


FIG. 5

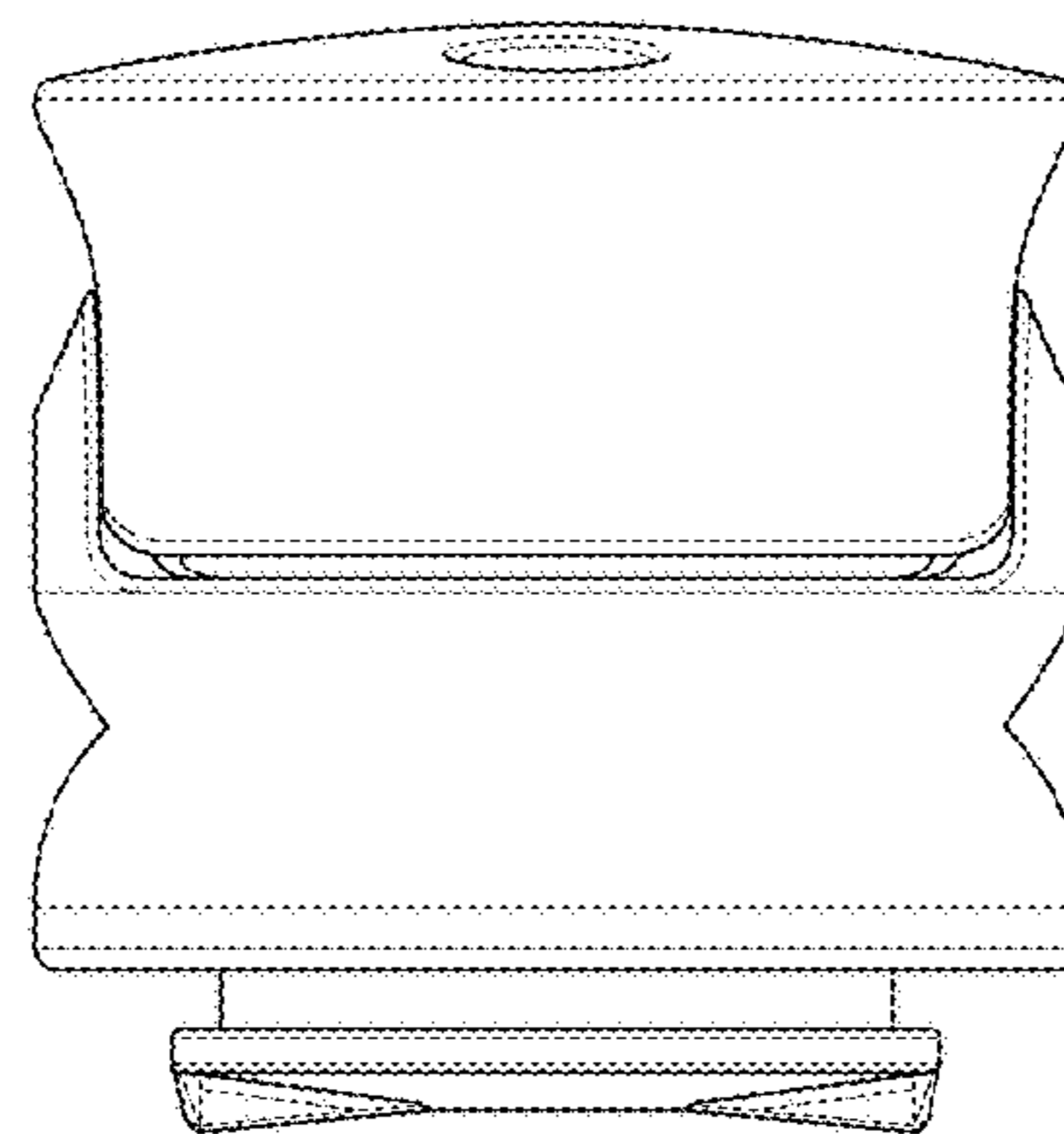


FIG. 6

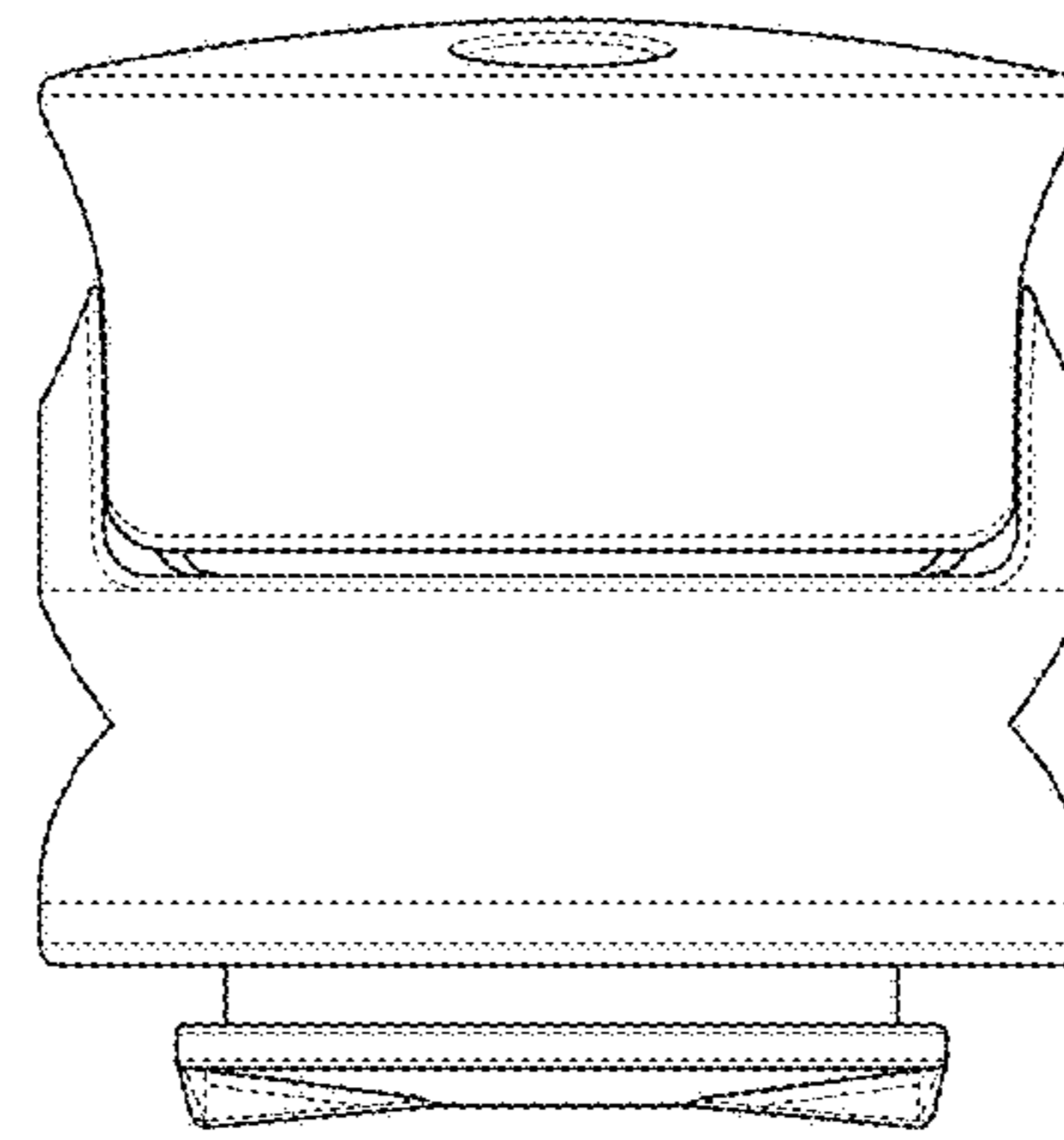


FIG. 7