



US00D843195S

(12) **United States Design Patent**
Ronge

(10) **Patent No.:** **US D843,195 S**

(45) **Date of Patent:** **** Mar. 19, 2019**

(54) **DOOR HANDLE**

(71) Applicant: **ASSA ABLOY BRANDING S.À.R.L.**,
Luxembourg (LU)

(72) Inventor: **Christof Ronge**, Luxembourg (LU)

(**) Term: **15 Years**

(21) Appl. No.: **35/503,812**

(22) Filed: **Apr. 12, 2017**

(80) **Hague Agreement Data**

Int. Filing Date: **Apr. 12, 2017**

Int. Reg. No.: **DM/095732**

Int. Reg. Date: **Apr. 12, 2017**

Int. Reg. Pub. Date: **Oct. 13, 2017**

(30) **Foreign Application Priority Data**

Oct. 18, 2016 (EM) 003422260

(51) **LOC (11) Cl.** **08-06**

(52) **U.S. Cl.**
USPC **D8/302**; D8/308

(58) **Field of Classification Search**

USPC D8/303, 302, 306, 307, 308, 375, 323,
D8/327, 328, 329; D23/252

CPC E05B 47/0673; E05B 63/04; E05C 3/16
See application file for complete search history.

(56) **References Cited**

U.S. PATENT DOCUMENTS

D190,562 S * 6/1961 Schultz D8/302
D351,982 S * 11/1994 Chen D8/301
D499,326 S * 12/2004 Roberts, III D8/302
D663,603 S * 7/2012 Guo D8/302
D743,237 S * 11/2015 Cummings D8/302

D787,912 S * 5/2017 Wang D8/308
D811,193 S * 2/2018 Hsu D8/308
D813,007 S * 3/2018 Schneider D8/308
D822,179 S * 7/2018 Kirar D23/252
2015/0191948 A1* 7/2015 Son E05B 47/0673
292/336.3
2017/0107739 A1* 4/2017 Ruff E05B 17/22
2017/0175421 A1* 6/2017 Kang E05B 63/06
2018/0128013 A1* 5/2018 Park E05B 9/082

* cited by examiner

Primary Examiner — Eliza Z Bennett-Hattan

(57) **CLAIM**

The ornamental design for a door handle, as shown and described.

DESCRIPTION

The file of this patent contains at least one drawing/photograph executed in color. Copies of this patent with color drawing(s)/photograph(s) will be provided by the Office upon request and payment of the necessary fee.

1. Door handle

1.1 is a top right perspective view of a door handle;

1.2 is a top right perspective view of a door handle in an alternative condition of use thereof;

1.3 is a top right perspective view of a door handle in an alternative condition of use thereof;

1.4 is a top right perspective view of a door handle in an alternative condition of use thereof;

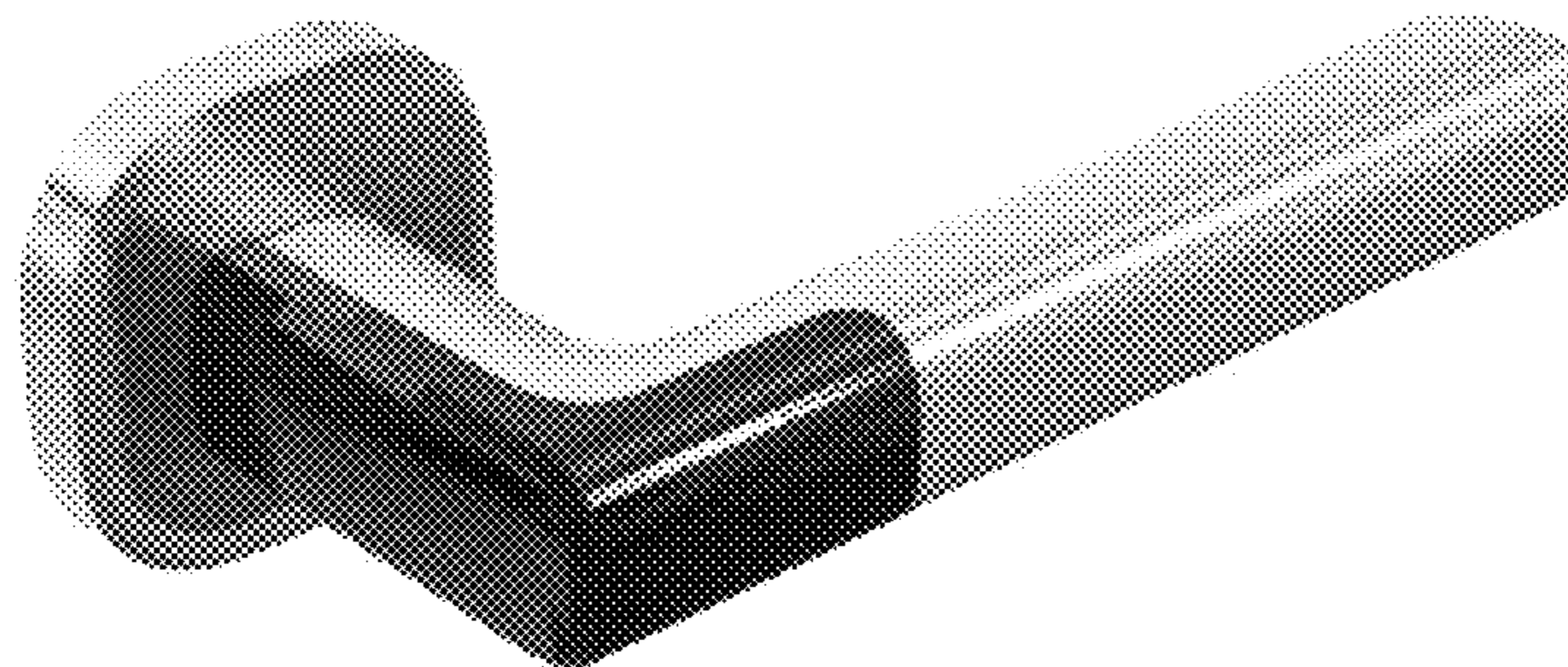
1.5 is a top view thereof;

1.6 is a bottom view thereof; and

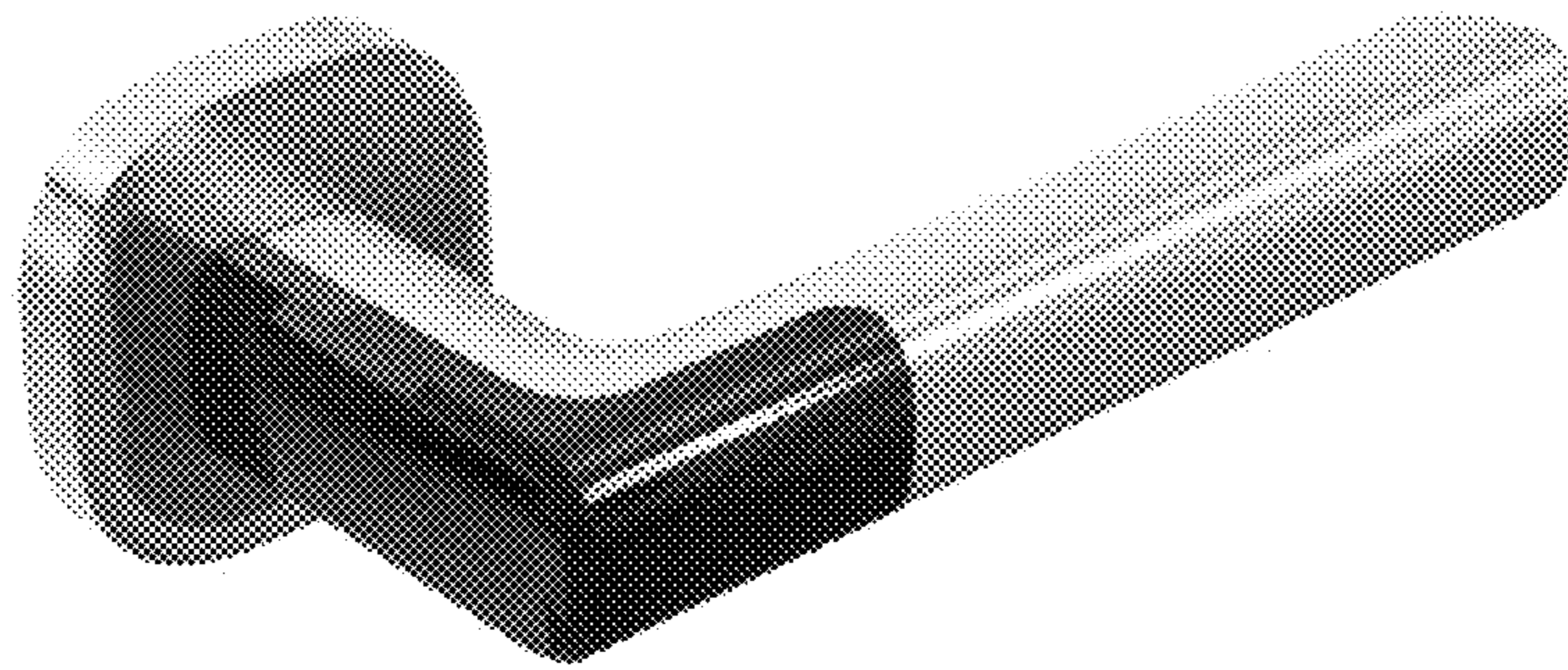
1.7 is a front view thereof.

The handle changes colours at different points in time, while the product is in use, in order to enable/deny access to the user.

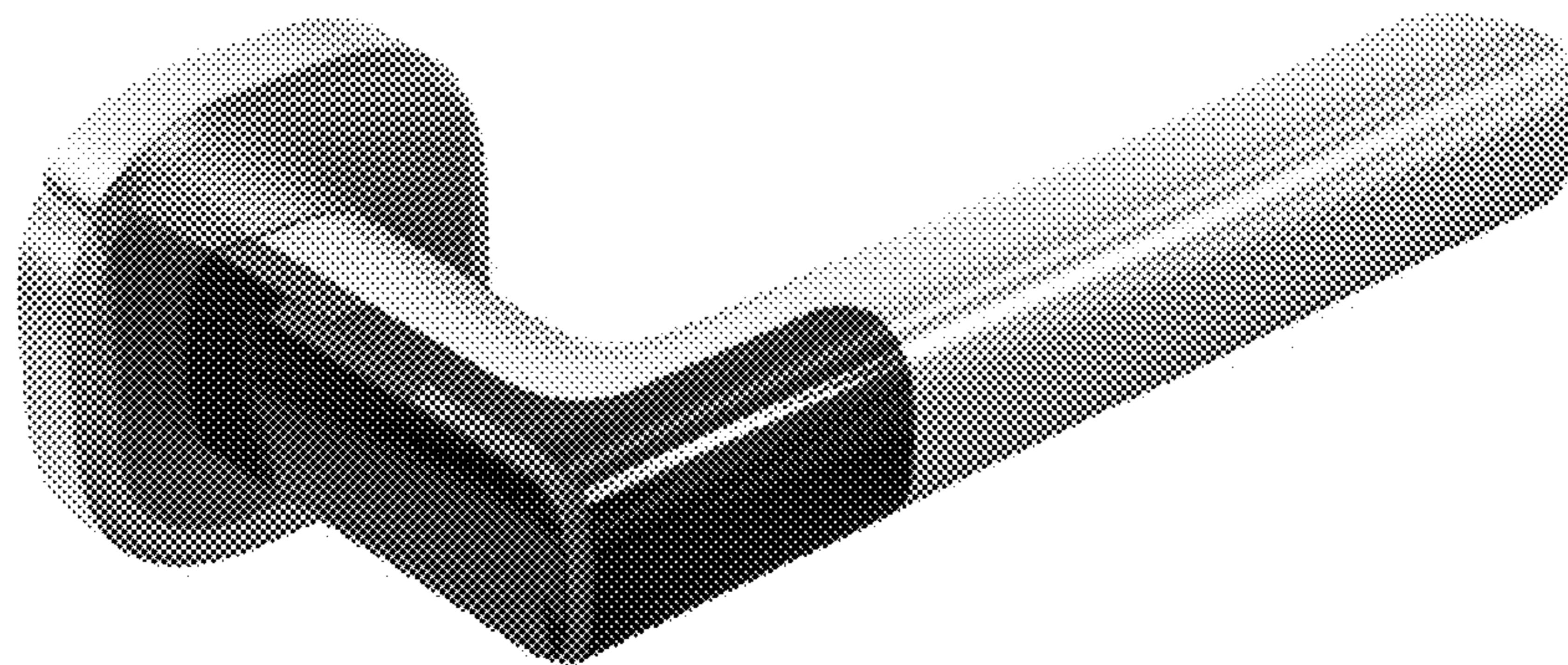
1 Claim, 7 Drawing Sheets
(4 of 7 Drawing Sheet(s) Filed in Color)



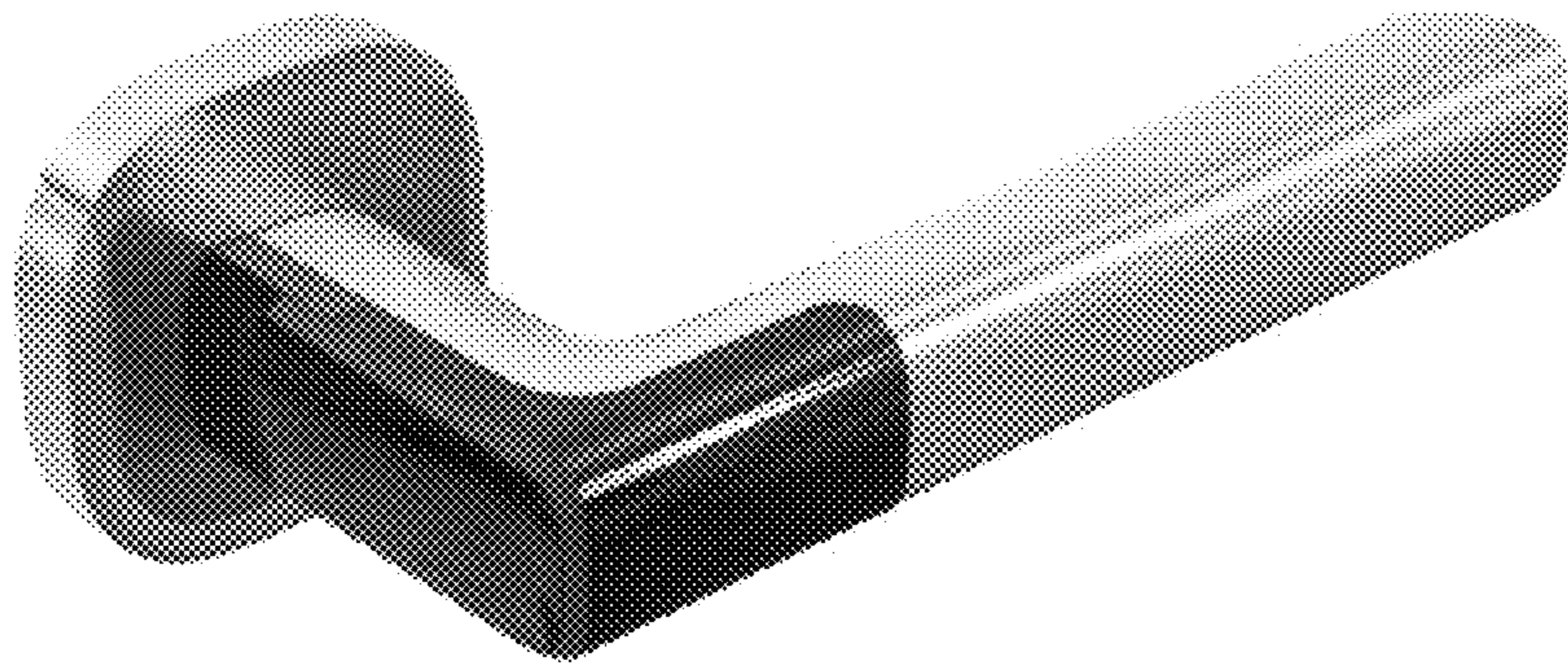
1.1



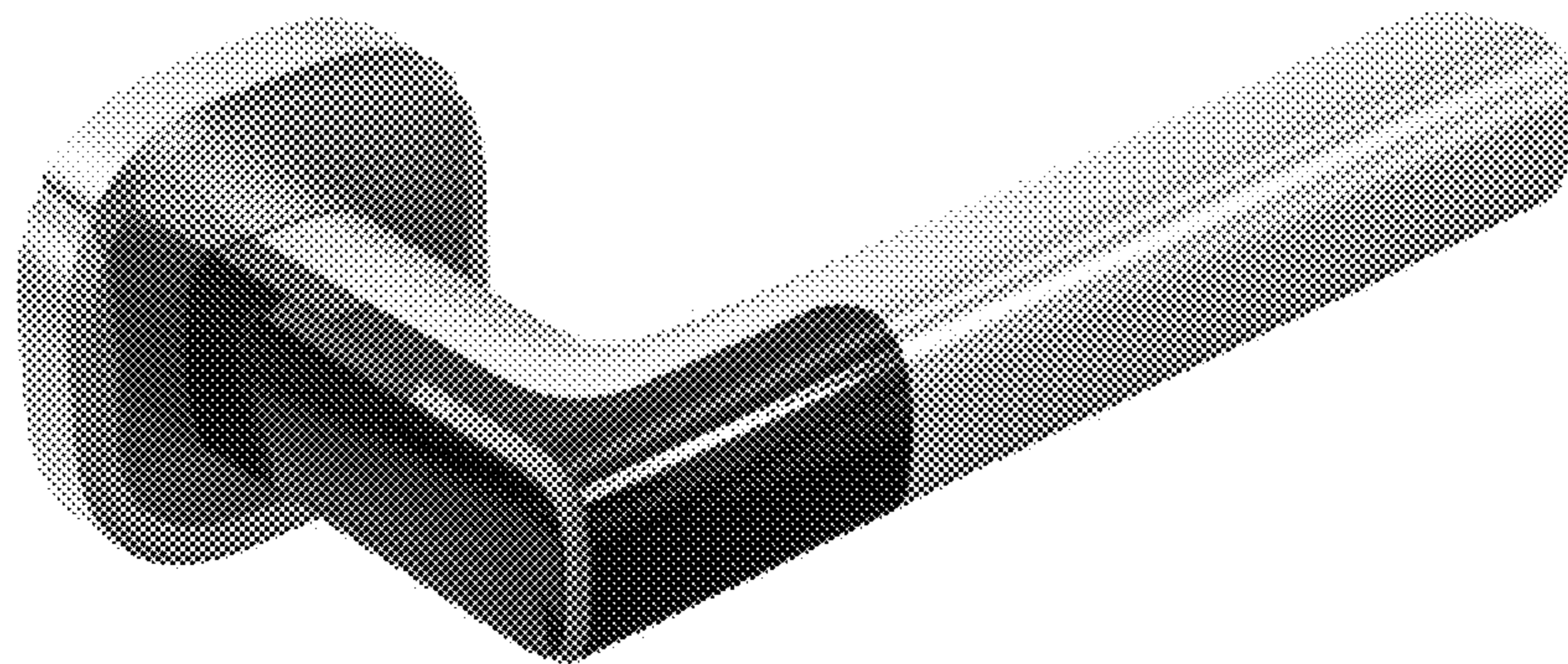
1.2



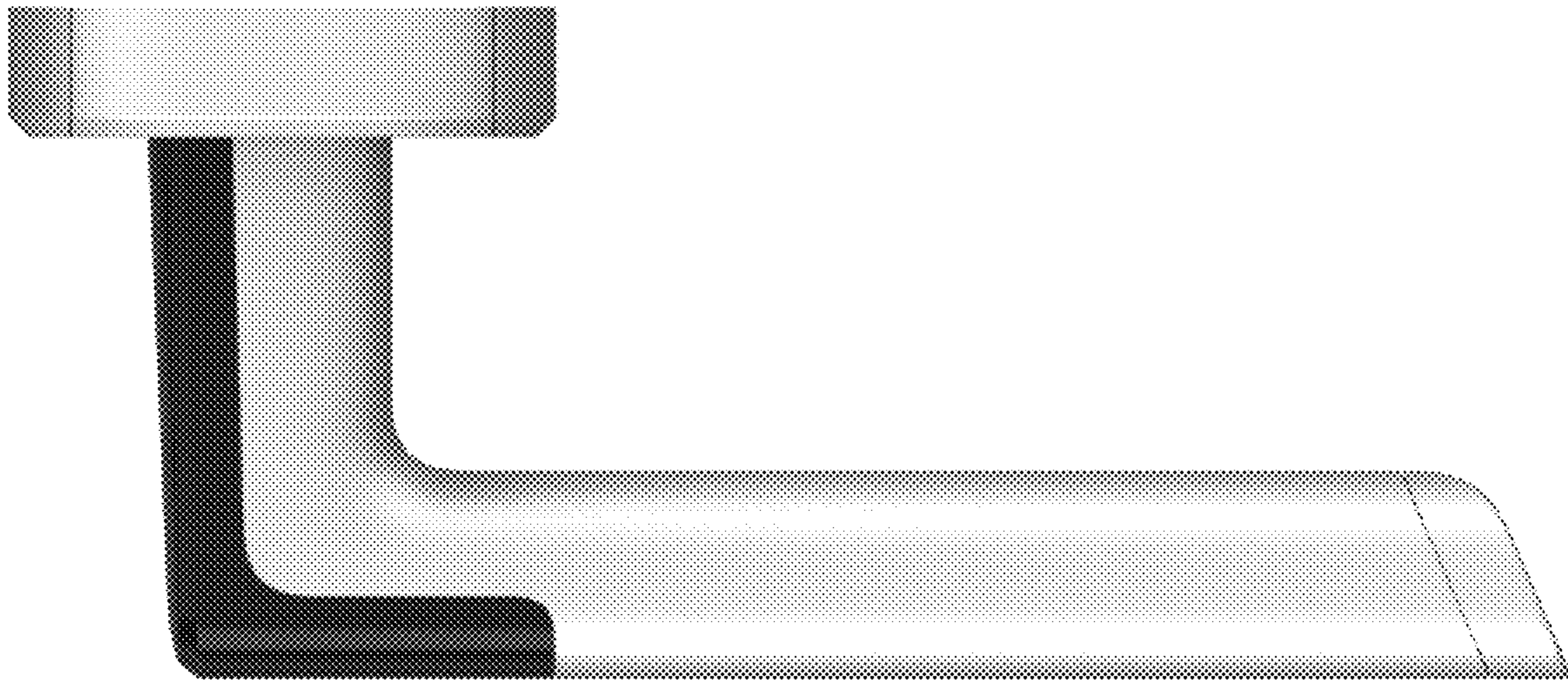
1.3



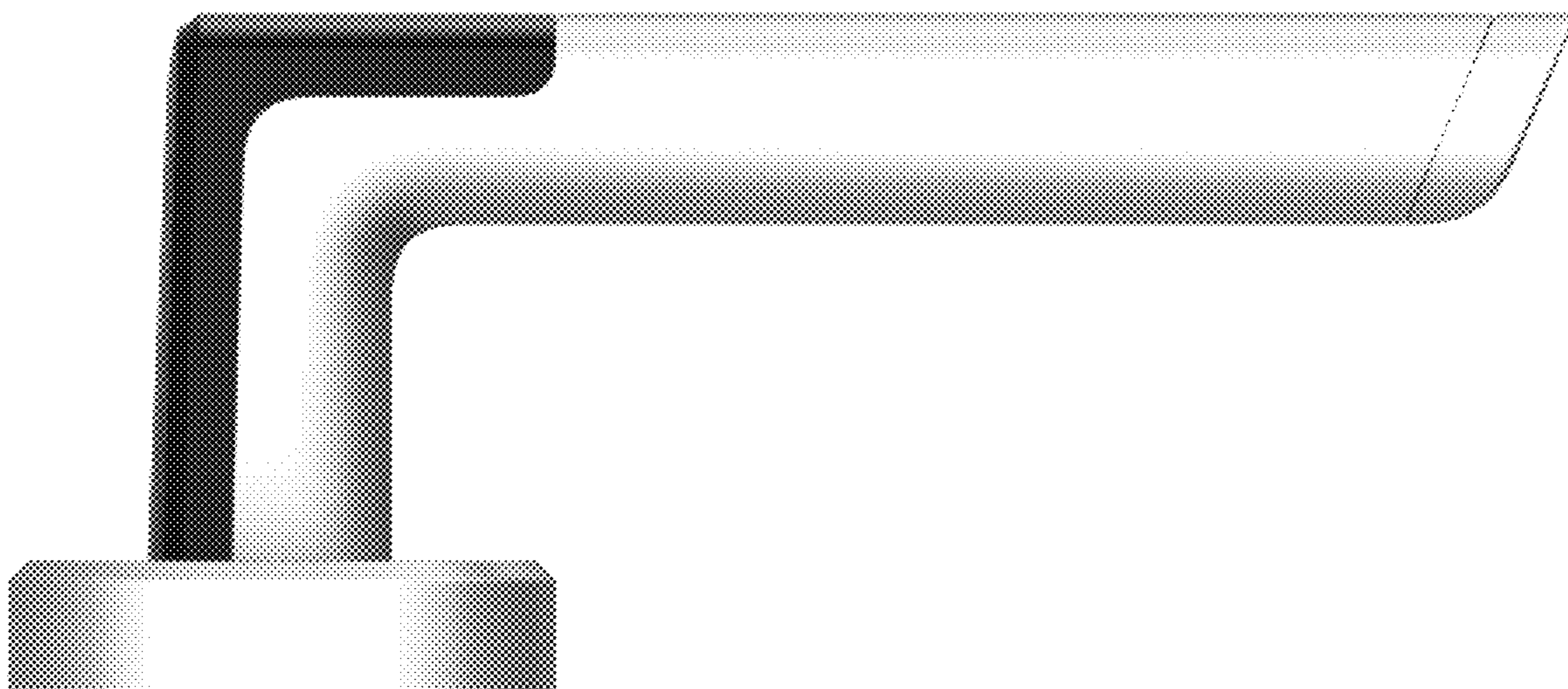
1.4



1.5



1.6



1.7

