



US00D843194S

(12) **United States Design Patent**
Woodgeard

(10) **Patent No.:** **US D843,194 S**
(45) **Date of Patent:** **** Mar. 19, 2019**

(54) **MULTI-PURPOSE WRECKING TOOL**

(71) Applicant: **Matthew A. Woodgeard**, Miamisburg,
OH (US)

(72) Inventor: **Matthew A. Woodgeard**, Miamisburg,
OH (US)

(**) Term: **15 Years**

(21) Appl. No.: **29/601,832**

(22) Filed: **Apr. 26, 2017**

2,087,148 A	7/1937	Hempy	
2,210,602 A	8/1940	Scott	
D133,484 S	8/1942	Orr	
2,457,231 A	12/1948	Henderson	
2,502,271 A	3/1950	Parker	
2,525,226 A	10/1950	Lawellin	
2,906,498 A	9/1959	Erwin	
3,522,932 A	8/1970	Nakasone	
D219,258 S	11/1970	Frye	
D220,900 S	6/1971	Ziaylek	D8/89
D226,162 S	1/1973	Ziaylek, Jr.	
3,893,200 A	7/1975	Wanciak	
3,921,288 A	11/1975	Clemens, Jr.	
4,183,503 A	1/1980	Ward	
D267,999 S	2/1983	Rhoades	
D272,712 S	2/1984	Allen	

(Continued)

Related U.S. Application Data

(63) Continuation of application No. 29/550,505, filed on
Jan. 5, 2016, now Pat. No. Des. 788,563.

(51) **LOC (11) Cl.** **08-05**

(52) **U.S. Cl.**
USPC **D8/89**

(58) **Field of Classification Search**
USPC D8/14, 16, 45, 47, 81, 88, 89, 105
CPC B25B 13/00; B25B 13/5033; B25B 27/00;
B25B 11/00; B25B 1/00; B25B 1/06;
B25B 15/00
See application file for complete search history.

(56) **References Cited**

U.S. PATENT DOCUMENTS

977,986 A	12/1910	Waddell
D45,821 S	5/1914	Shane
1,309,734 A	7/1919	Hemfling, Sr.
D54,308 S	12/1919	Dencker
D57,662 S	4/1921	Kingston et al.
1,389,820 A	9/1921	Downey
D59,371 S	10/1921	Nelson
1,472,517 A	10/1923	Fry
1,486,820 A	3/1924	Wilder
1,559,976 A	11/1925	Ness
1,570,192 A	1/1926	Younick
1,793,060 A	2/1931	Clements

OTHER PUBLICATIONS

Notice of Allowance, U.S. Appl. No. 29/550,505 dated Mar. 28,
2017.

Primary Examiner — Philip S Hyder
(74) *Attorney, Agent, or Firm* — Thompson Hine LLP

(57) **CLAIM**

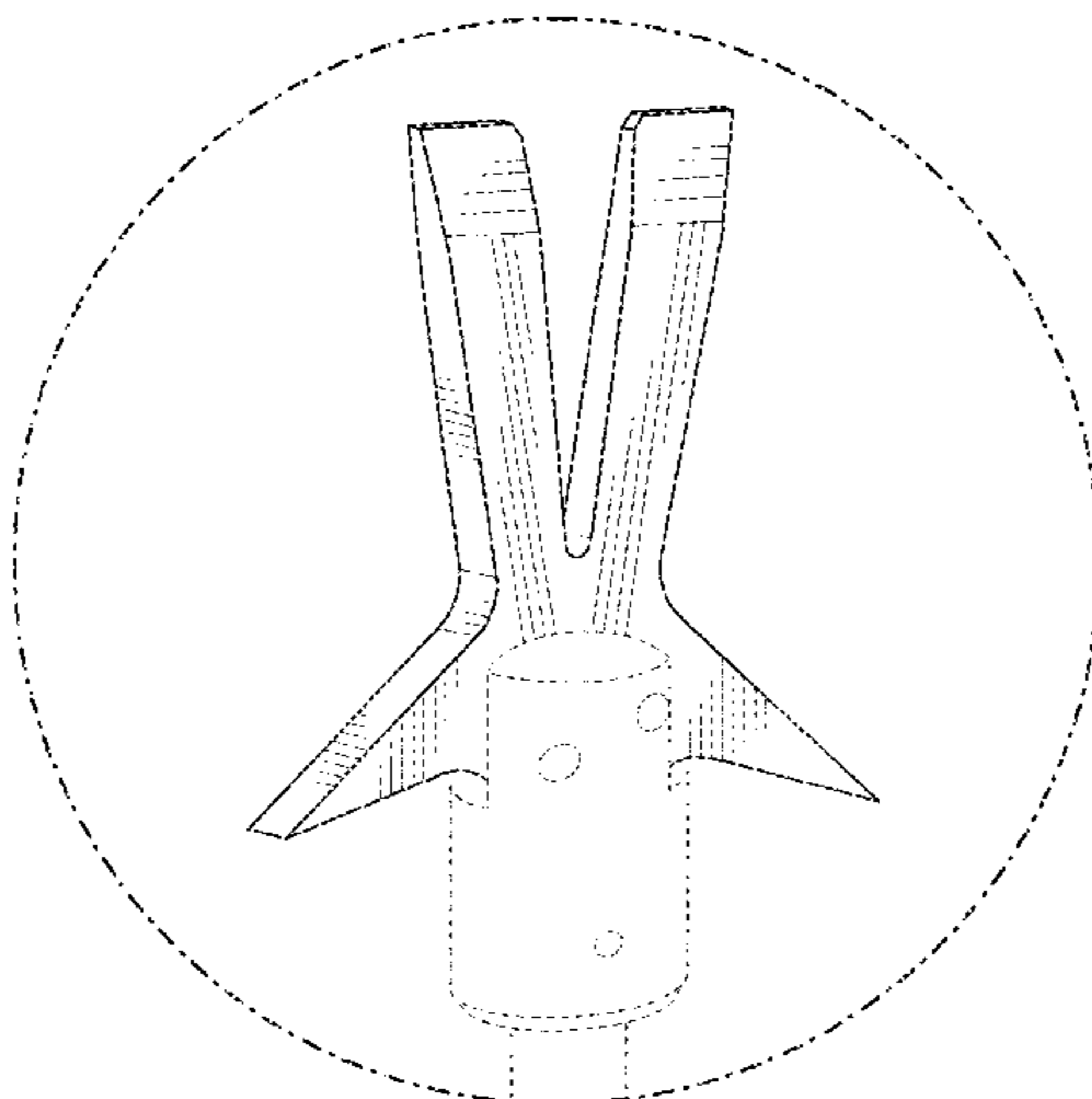
The ornamental design for multi-purpose wrecking tool, as
shown and described.

DESCRIPTION

FIG. 1 is a perspective view of the design;
FIG. 2 is a front view of the design of FIG. 1;
FIG. 3 is a side view of a first side of the design of FIG. 1;
FIG. 4 is a top view of the design of FIG. 1;
FIG. 5 is a bottom view of the design of FIG. 1; and,
FIG. 6 is a detail view of an upper end of the design as
indicated in FIG. 1.

The broken lines illustrate aspects of the multi-purpose
wrecking tool that form no part of the claim.

1 Claim, 3 Drawing Sheets



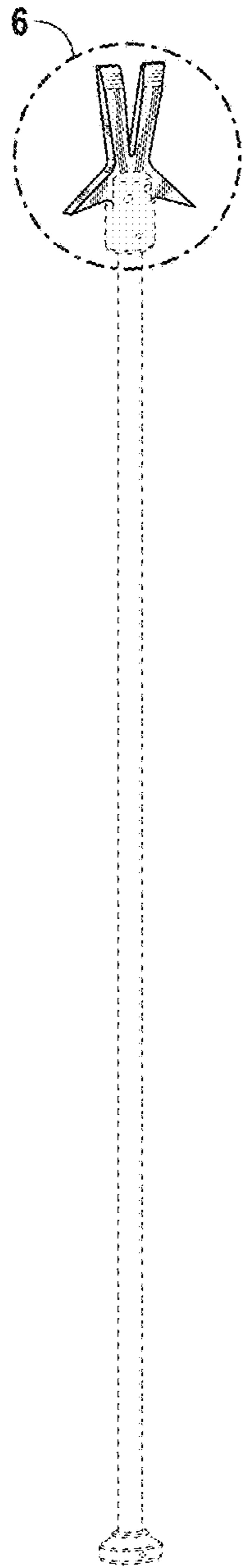


FIG. 1

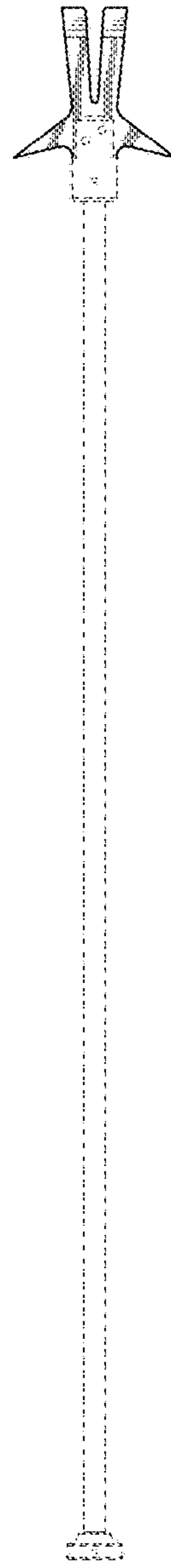


FIG. 2

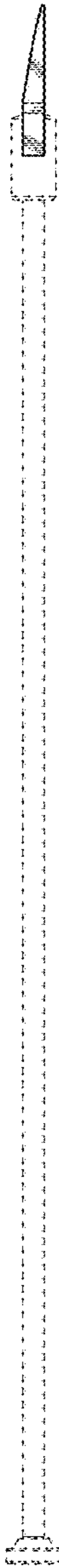


FIG. 3



FIG. 4



FIG. 5

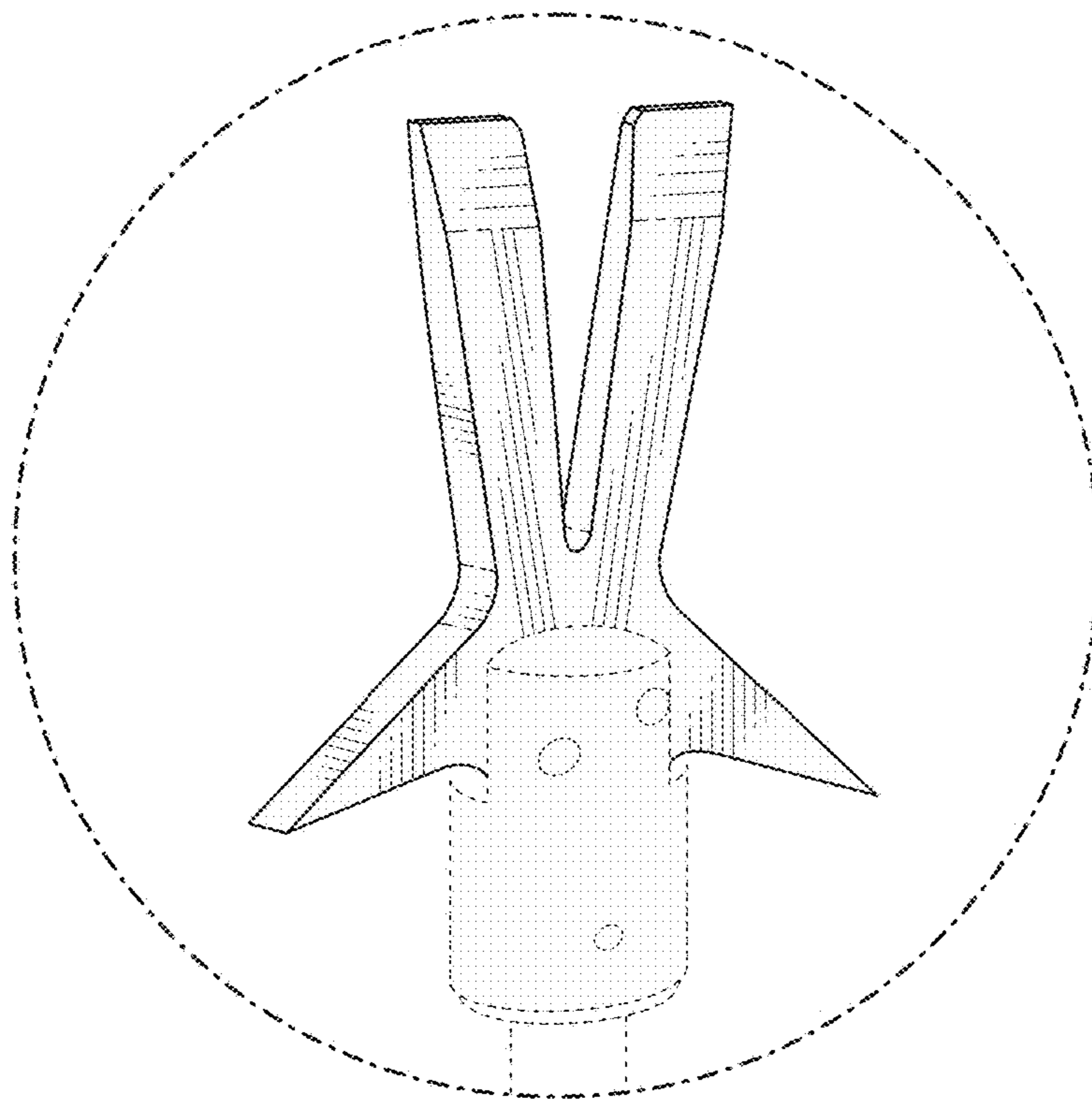


FIG. 6