



US00D843193S

(12) **United States Design Patent**
Guo et al.

(10) **Patent No.:** **US D843,193 S**
(45) **Date of Patent:** **** Mar. 19, 2019**

- (54) **CONTAINER SUPPORT FRAME**
- (71) Applicant: **Ethicon, Inc.**, Somerville, NJ (US)
- (72) Inventors: **Jianxin Guo**, Livingston, NJ (US);
Julian Quintero, Flemington, NJ (US)
- (73) Assignee: **Ethicon, Inc.**, Somerville, NJ (US)
- (**) Term: **15 Years**

D449,685 S * 10/2001 Morrison D24/128
 D450,676 S * 11/2001 Huttner D24/133
 6,315,165 B1 11/2001 Regan
 6,770,076 B2 * 8/2004 Foerster A61B 17/0401
 604/272
 D496,460 S * 9/2004 Glaesel D24/133
 6,968,978 B1 11/2005 Matthews
 7,918,621 B2 4/2011 Battisti
 8,056,748 B2 11/2011 Chen
 8,287,202 B2 10/2012 Goodman et al.

(Continued)

- (21) Appl. No.: **29/612,849**
- (22) Filed: **Aug. 4, 2017**
- (51) **LOC (11) Cl.** **08-05**
- (52) **U.S. Cl.**
USPC **D8/72**
- (58) **Field of Classification Search**
USPC D24/127-131, 112-114, 133, 186;
606/181, 185; 604/264, 523-528, 272,
604/187, 158, 164.01-164.11, 181, 184,
604/227; 600/101, 139, 143;
128/200.24, 207.14, 207.15
CPC .. A61M 25/065; A61M 5/42; A61M 25/0612;
A61M 25/00; A61M 39/00; A61M 27/00;
A61M 25/0043; A61M 25/0067; A61M
25/0097; A61F 2/958
See application file for complete search history.

FOREIGN PATENT DOCUMENTS

CA 3012753 8/2017
 DE 102012004510 9/2013

(Continued)

Primary Examiner — David G Muller
 (74) *Attorney, Agent, or Firm* — Doherty IP Law Group
 LLC

(57) **CLAIM**

The ornamental design for a container support frame, as shown and described.

DESCRIPTION

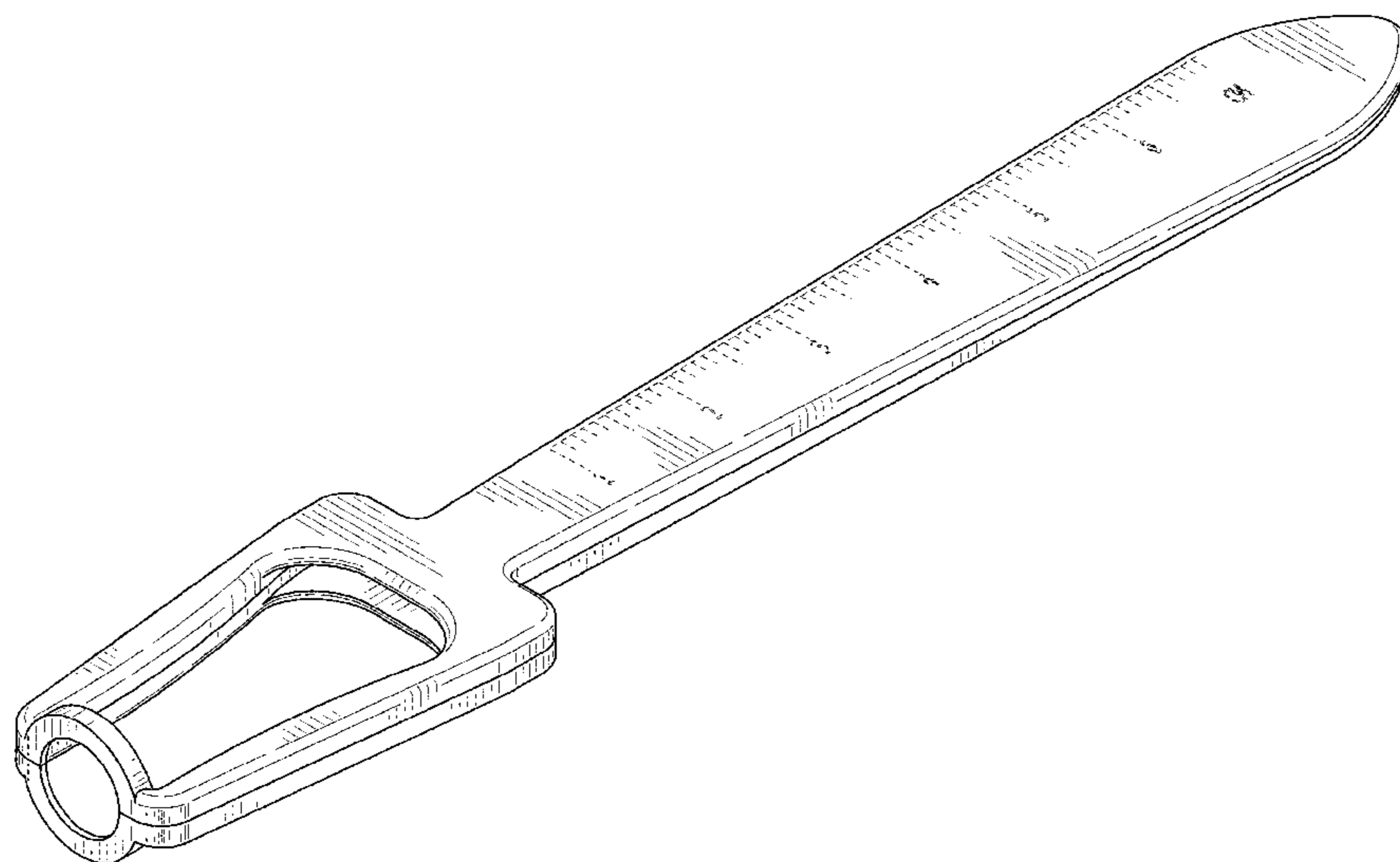
FIG. 1 is a perspective view of a container support frame, showing our new design;
 FIG. 2 is a distal end view of the container support frame shown in FIG. 1;
 FIG. 3 is a proximal end view of the container support frame shown in FIG. 1;
 FIG. 4 is a side view of the container support frame shown in FIG. 1;
 FIG. 5 is a top plan view of the container support frame shown in FIG. 1; and,
 FIG. 6 is a bottom view of the container support frame shown in FIG. 1.
 The broken lines in the drawings form no part of the claimed design for a container support frame.

1 Claim, 3 Drawing Sheets

(56) **References Cited**

U.S. PATENT DOCUMENTS

4,732,147 A * 3/1988 Fuller A61M 25/02
128/207.17
 4,899,748 A * 2/1990 Gross A45D 26/0042
452/84
 5,042,690 A 8/1991 O'Meara
 D345,796 S * 4/1994 Pernicka D24/133
 D379,655 S * 6/1997 Savignac D24/122
 5,678,731 A 10/1997 Okamura et al.
 5,711,453 A 1/1998 Weiler et al.
 D439,976 S * 4/2001 Cote D24/133



(56)

References Cited

U.S. PATENT DOCUMENTS

8,807,859	B2	8/2014	Stenton	
D785,793	S *	5/2017	Landanger	D24/133
D786,428	S *	5/2017	Peltosaari	D24/133
D792,587	S *	7/2017	Owens	D24/133
D792,968	S *	7/2017	Galitz	D24/128

FOREIGN PATENT DOCUMENTS

EP	521200	4/1996
WO	2012164779	6/2012
WO	2014083570	6/2014
WO	2017140724	8/2017

* cited by examiner

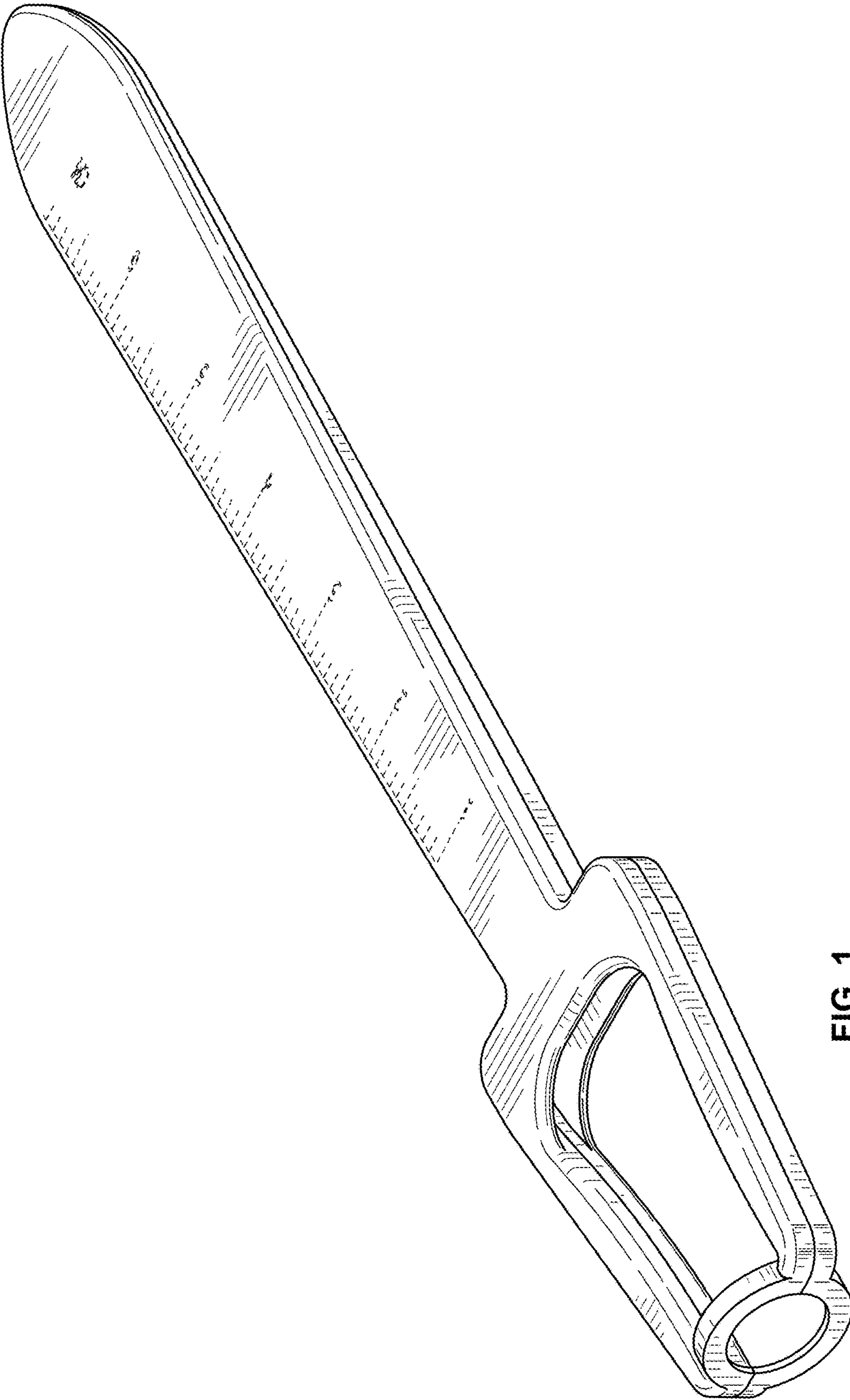


FIG. 1

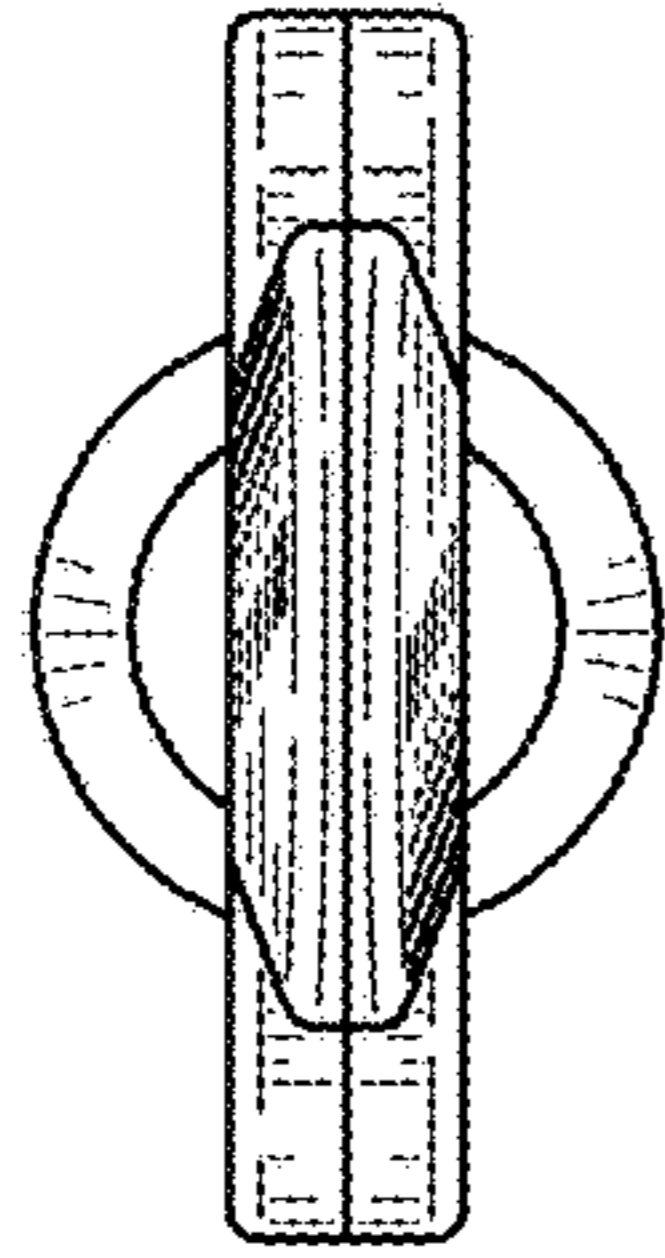


FIG. 3

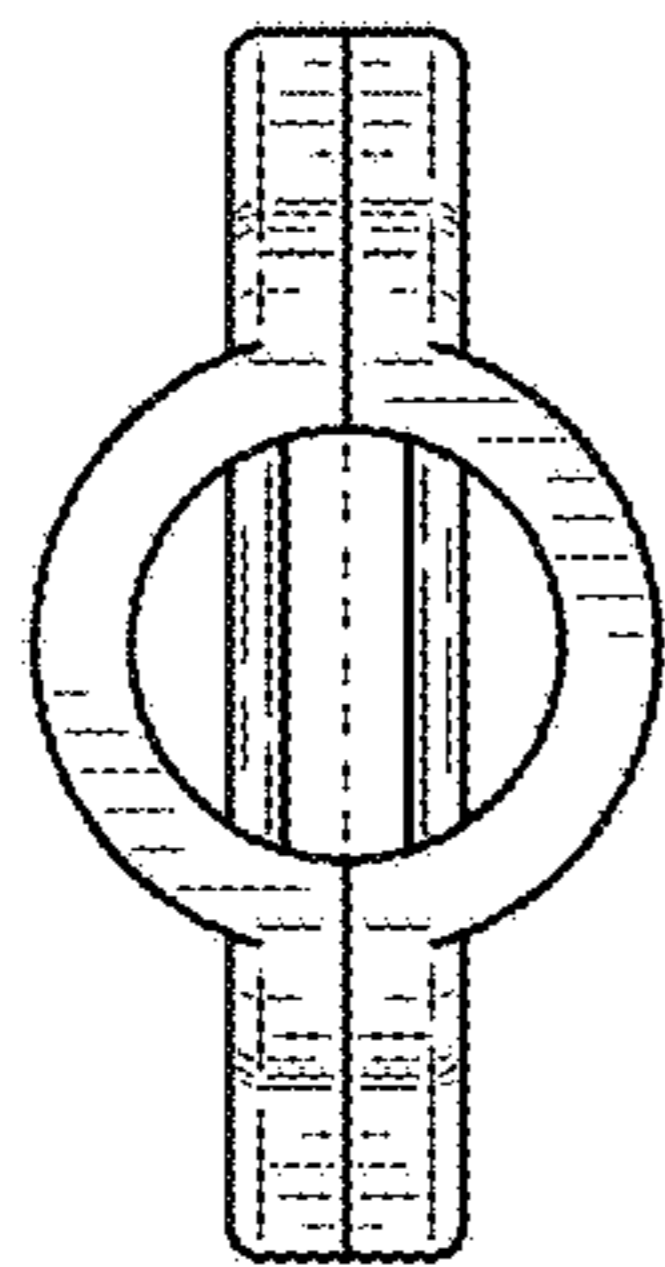


FIG. 2

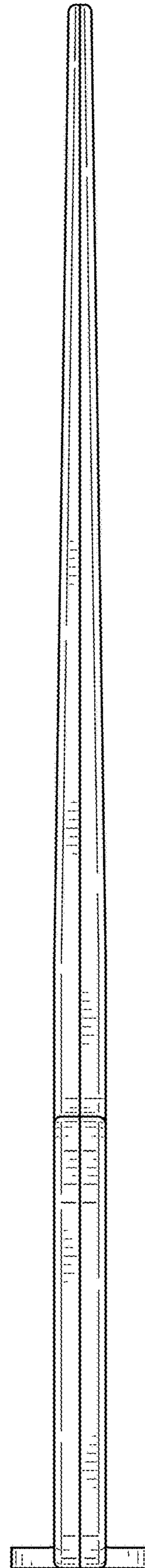


FIG. 4

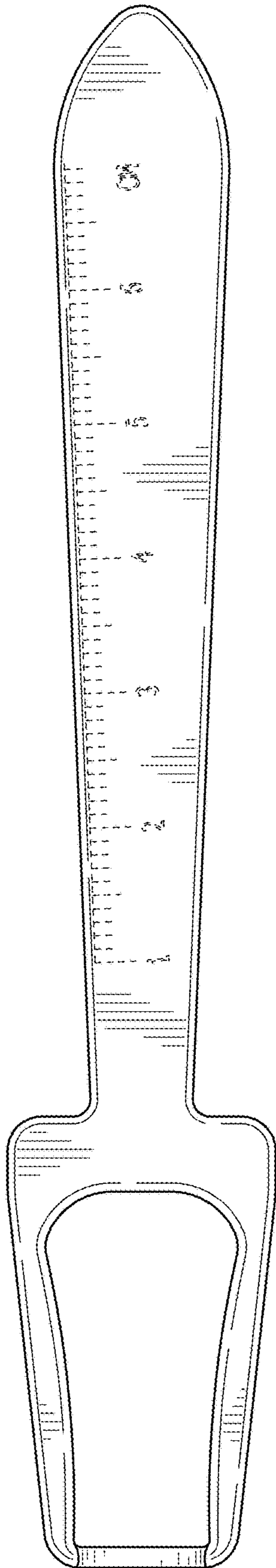


FIG. 5

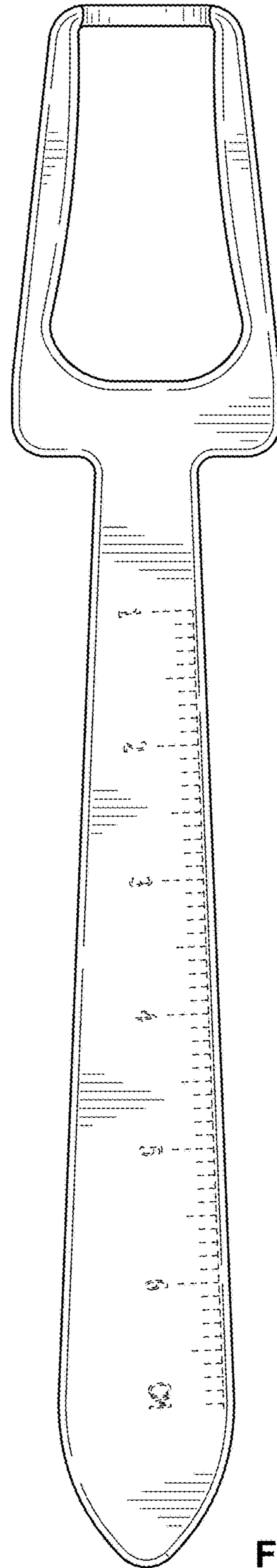


FIG. 6