



US00D843192S

(12) **United States Design Patent**
Reed

(10) **Patent No.:** **US D843,192 S**
(45) **Date of Patent:** **** Mar. 19, 2019**

- (54) **NAILER ADAPTER FOR SIDING**
- (71) Applicant: **Philip M. Reed**, Leola, PA (US)
- (72) Inventor: **Philip M. Reed**, Leola, PA (US)
- (**) Term: **15 Years**
- (21) Appl. No.: **29/593,624**
- (22) Filed: **Feb. 10, 2017**
- (51) **LOC (11) Cl.** **08-05**
- (52) **U.S. Cl.**
USPC **D8/70**
- (58) **Field of Classification Search**
USPC D8/61-70
CPC B25C 1/08; B25C 1/008; B25C 1/04
See application file for complete search history.

(56) **References Cited**

U.S. PATENT DOCUMENTS

4,654,975	A	4/1987	Lopez	
D300,128	S *	3/1989	Brennan	D12/169
5,215,343	A *	6/1993	Fortune	B60R 19/52 293/115
5,251,371	A *	10/1993	Powers	B25C 7/00 227/156
5,649,661	A	7/1997	Masuno	
5,743,455	A	4/1998	Holliday	
5,842,625	A *	12/1998	Kimura	B25C 1/003 227/127
D455,684	S *	4/2002	McGuinness	D12/171
6,393,711	B1	5/2002	Freund	
6,695,192	B1 *	2/2004	Kwok	B25C 1/008 227/107
6,776,322	B2	8/2004	Villela et al.	
6,824,036	B2 *	11/2004	Walter	E04F 21/1855 227/119
6,880,741	B2	4/2005	Gill	
7,044,460	B2 *	5/2006	Bolton	B25B 23/00 269/37
7,055,728	B2 *	6/2006	Lin	B25C 7/00 227/110

7,066,371	B2	6/2006	Villela et al.	
D525,492	S *	7/2006	Peterson	D8/14
7,255,256	B2 *	8/2007	McGee	B25C 1/041 227/119
7,306,270	B2 *	12/2007	Helms	B60R 19/52 293/106
D572,180	S *	7/2008	Storer	D12/171
7,513,404	B2 *	4/2009	Shkolnikov	B25C 1/008 227/130
7,575,140	B2 *	8/2009	Jiang	B25C 5/16 227/110
D613,593	S *	4/2010	King	D8/382
D614,095	S *	4/2010	Fretz	D12/171

(Continued)

Primary Examiner — Darlington Ly
(74) *Attorney, Agent, or Firm* — Miller Law Group, PLLC

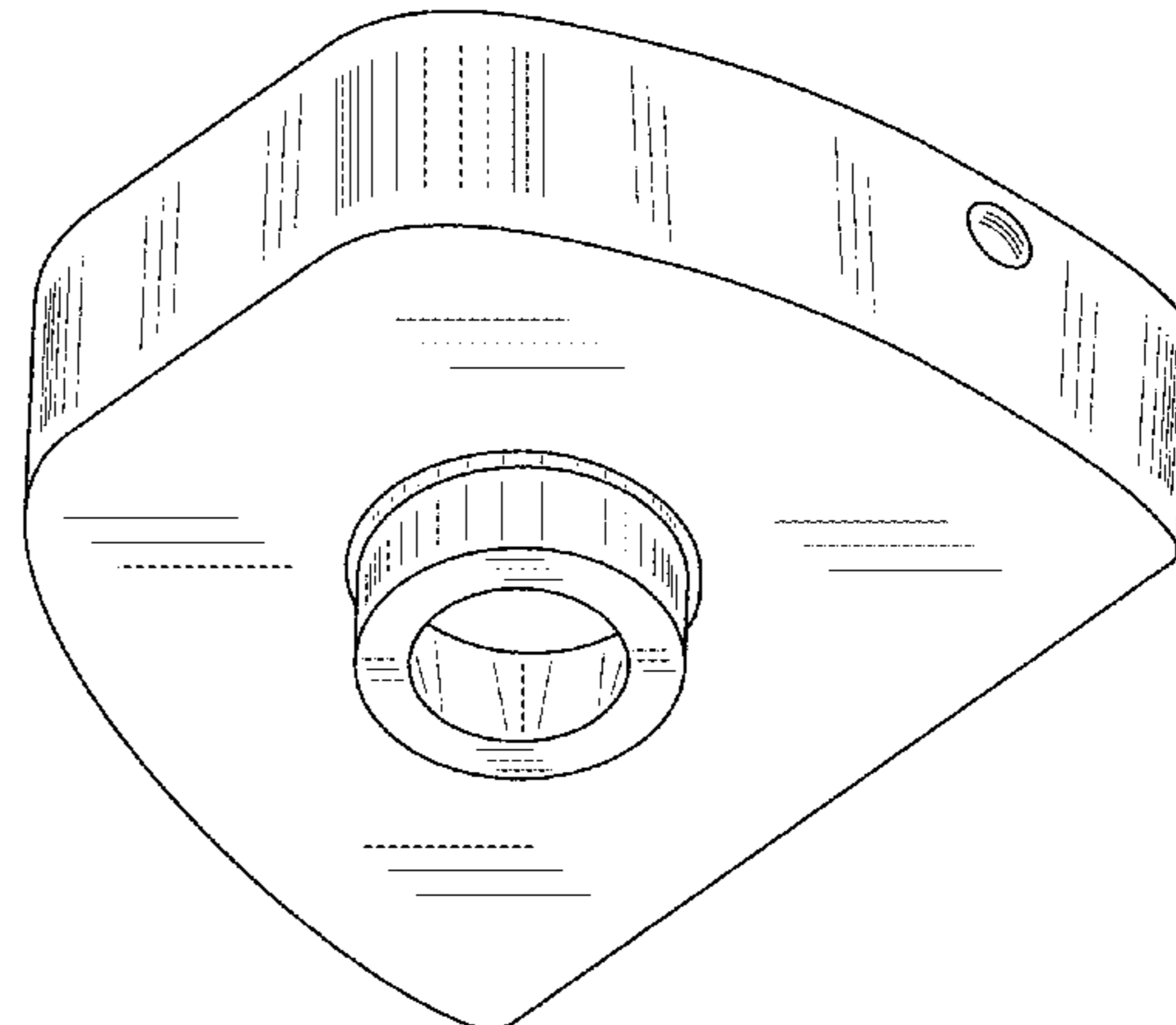
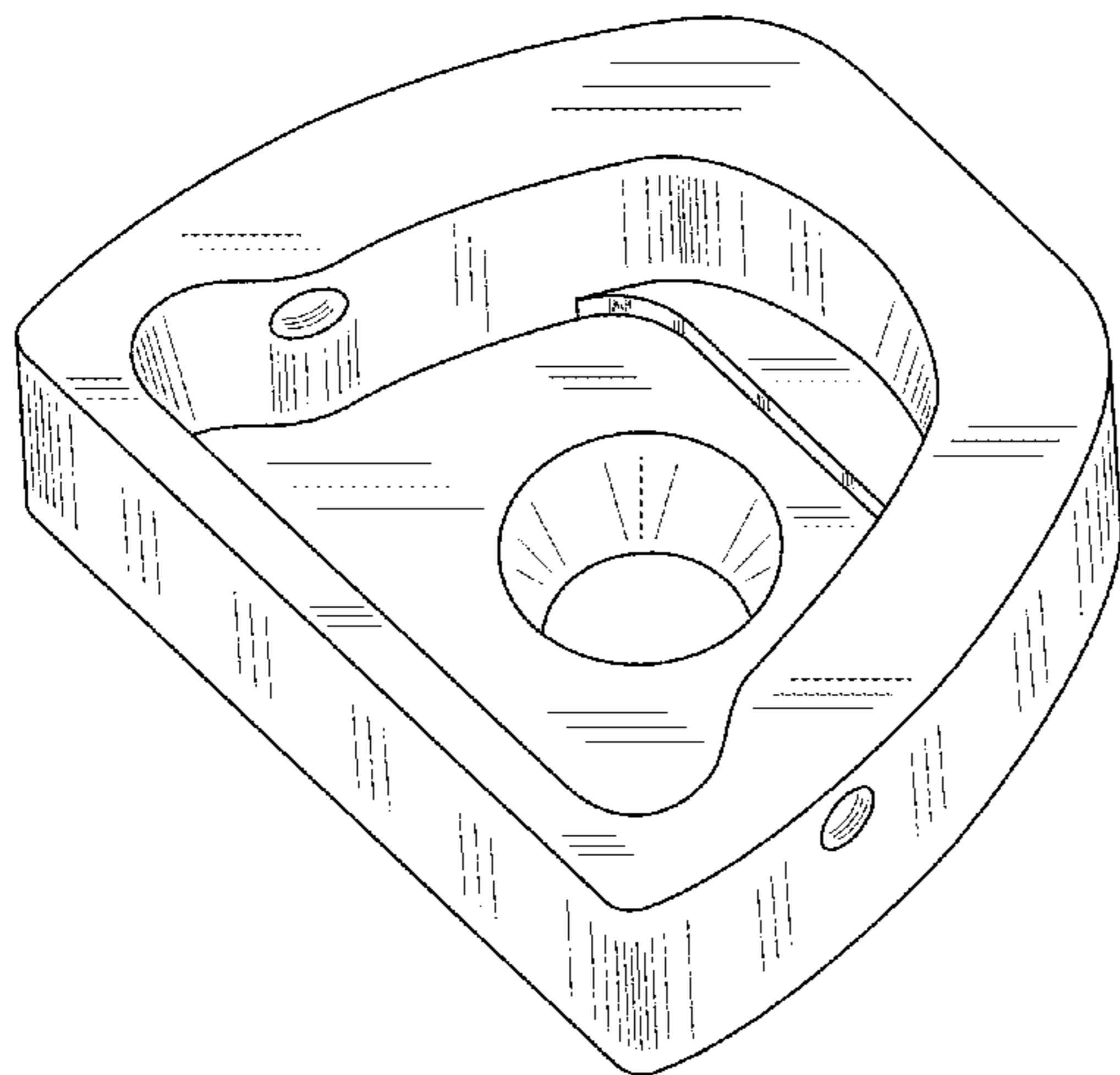
(57) **CLAIM**

The ornamental design for a nailer adapter for siding, as shown and described.

DESCRIPTION

FIG. 1 is a top plan view of a nailer adapter for siding showing my new design;
 FIG. 2 is a bottom plan view thereof;
 FIG. 3 is a rear elevational view thereof;
 FIG. 4 is a front elevational view thereof;
 FIG. 5 is a right side elevational view thereof;
 FIG. 6 is a left side elevational view thereof;
 FIG. 7 is a top, front, and left side perspective view thereof;
 FIG. 8 is a bottom, rear, and right side perspective view thereof; and,
 FIG. 9 is a left side elevational view thereof as shown mounted on an exemplary nailer.
 The broken lines showing the nailer is provided for the purpose of illustrating environmental structure and forms no part of the claimed design.

1 Claim, 6 Drawing Sheets



(56)

References Cited

U.S. PATENT DOCUMENTS

7,703,834 B1 * 4/2010 Hardy B60R 9/06
296/102

7,739,807 B2 6/2010 Grant

8,308,038 B2 * 11/2012 Tanaka B25C 7/00
227/119

8,627,991 B2 * 1/2014 Francis B25C 7/00
227/148

D724,505 S * 3/2015 Schroeder D12/171

D726,605 S * 4/2015 Schroeder D12/171

D760,133 S * 6/2016 Bennett D12/171

D771,537 S * 11/2016 Hare D12/169

D775,016 S * 12/2016 Reynolds D12/171

D776,582 S * 1/2017 Bennett D12/169

D777,619 S * 1/2017 Barajas D12/167

D781,757 S * 3/2017 Baggett D12/16

D786,745 S * 5/2017 Zeng D12/167

D788,827 S * 6/2017 Okuyama D15/28

D789,258 S * 6/2017 McMath D12/167

D792,818 S * 7/2017 McMath D12/169

D793,304 S * 8/2017 McMath D12/169

D794,519 S * 8/2017 McMath D12/169

9,884,600 B2 * 2/2018 Fujimoto B60R 19/44

2013/0187395 A1 * 7/2013 Hanson B60R 19/52
293/115

2016/0325700 A1 * 11/2016 Wheeler B60R 19/48

* cited by examiner

Fig. 1

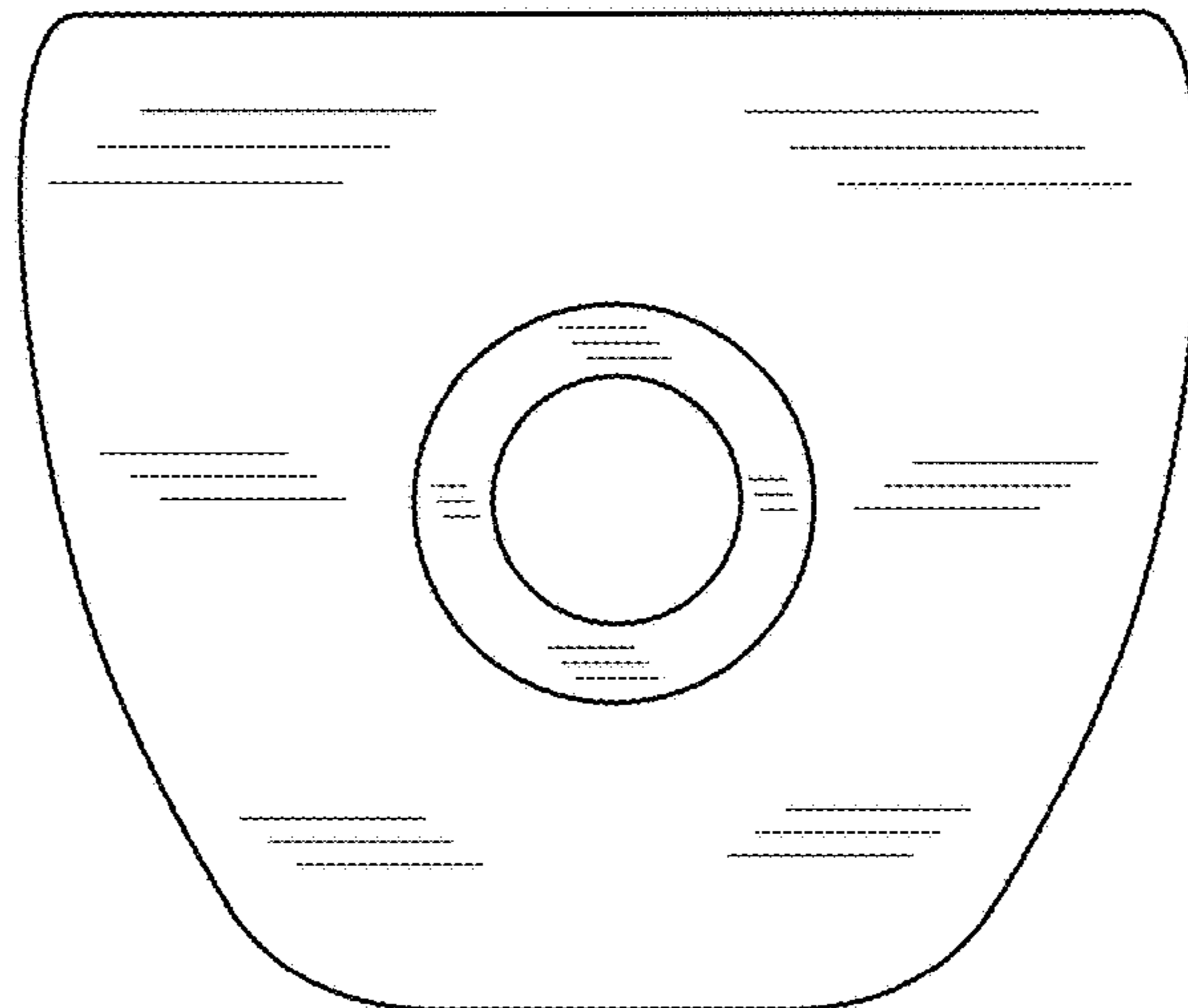
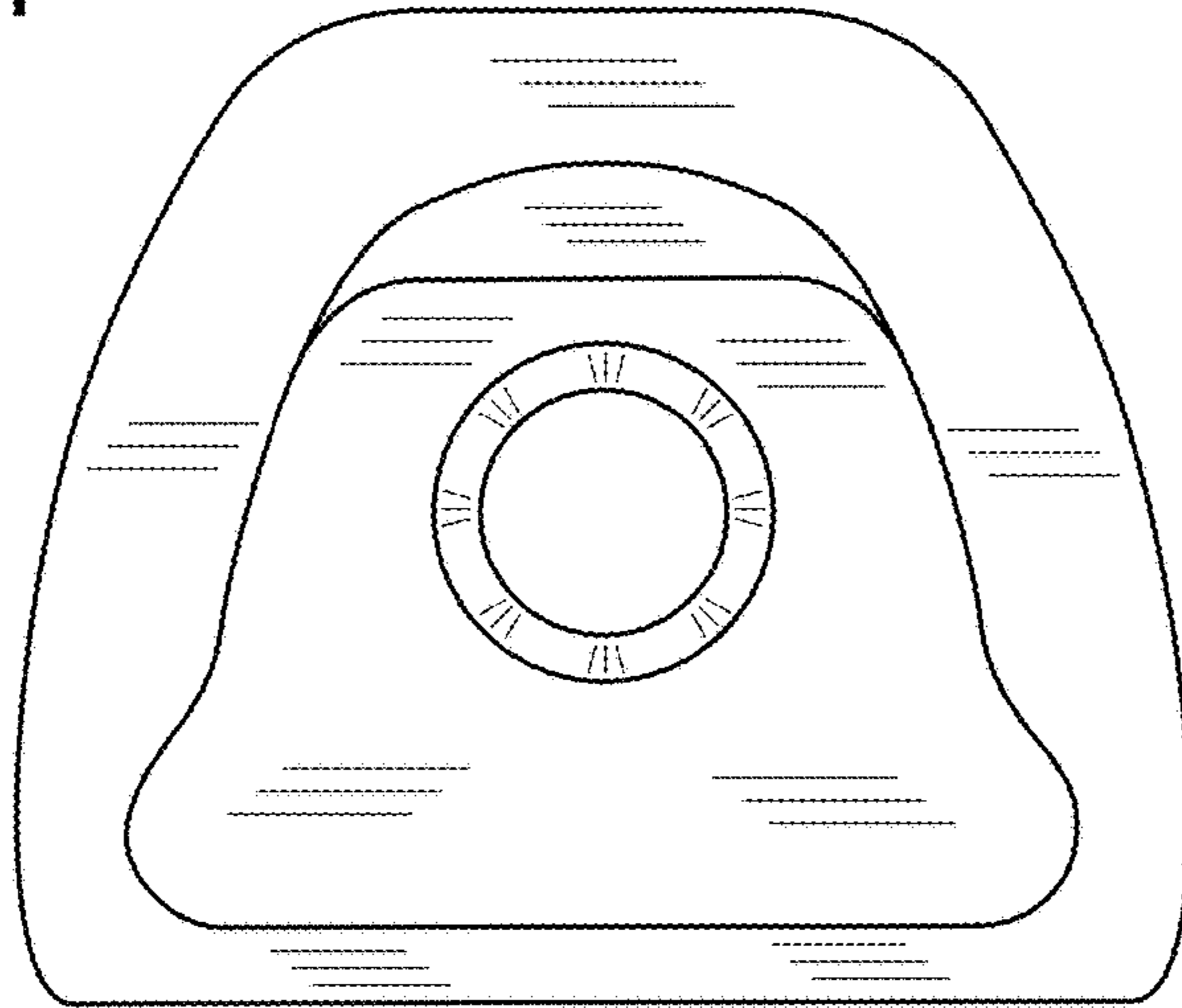


Fig. 2

Fig. 3

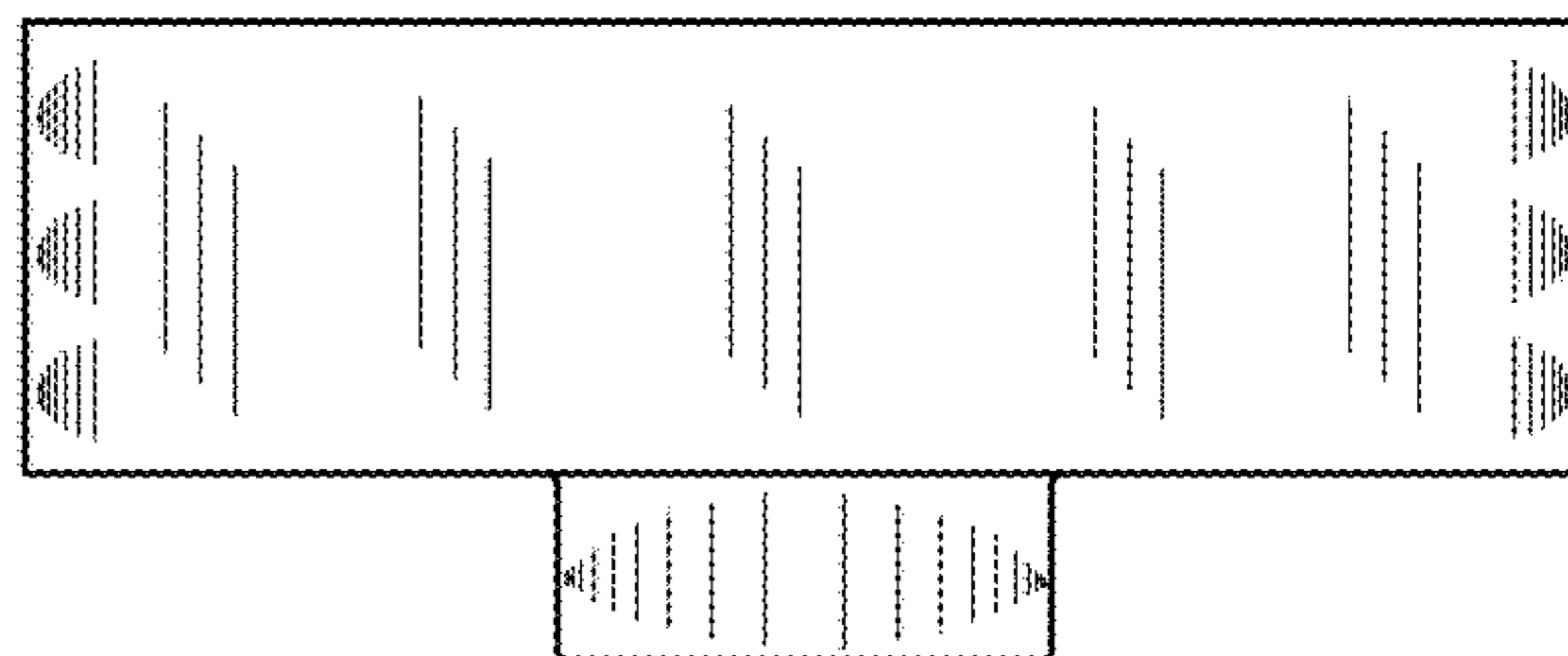
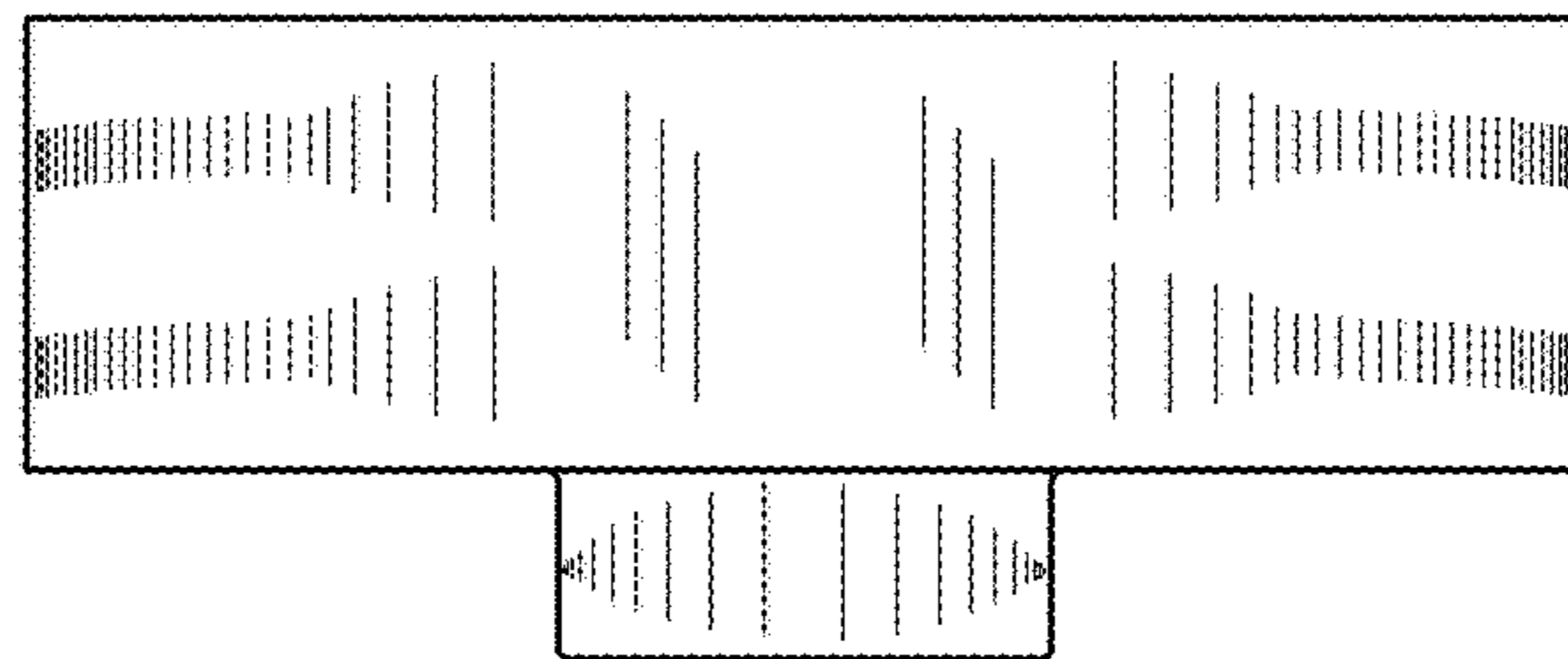


Fig. 4

Fig. 5

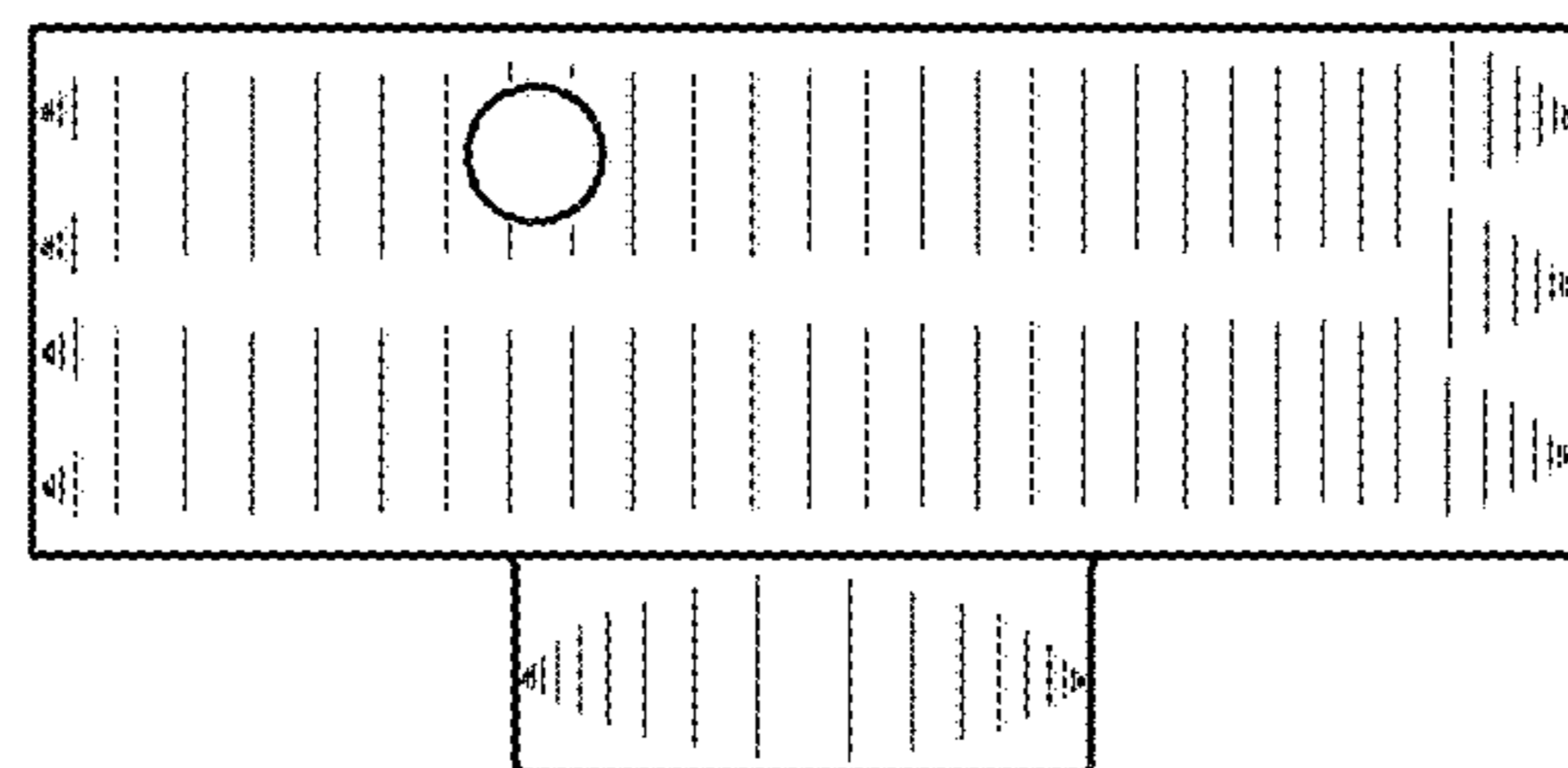
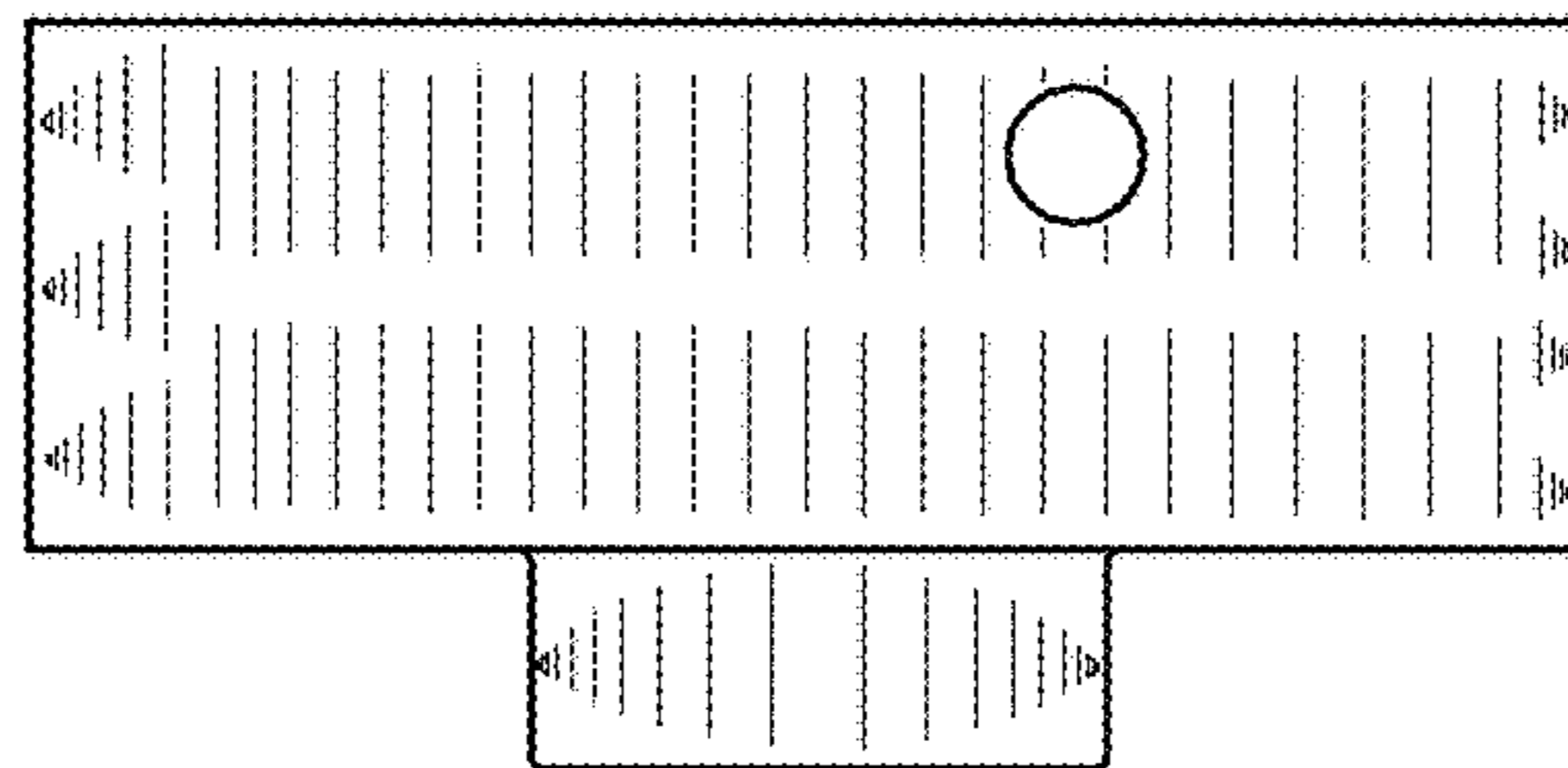


Fig. 6

Fig. 7

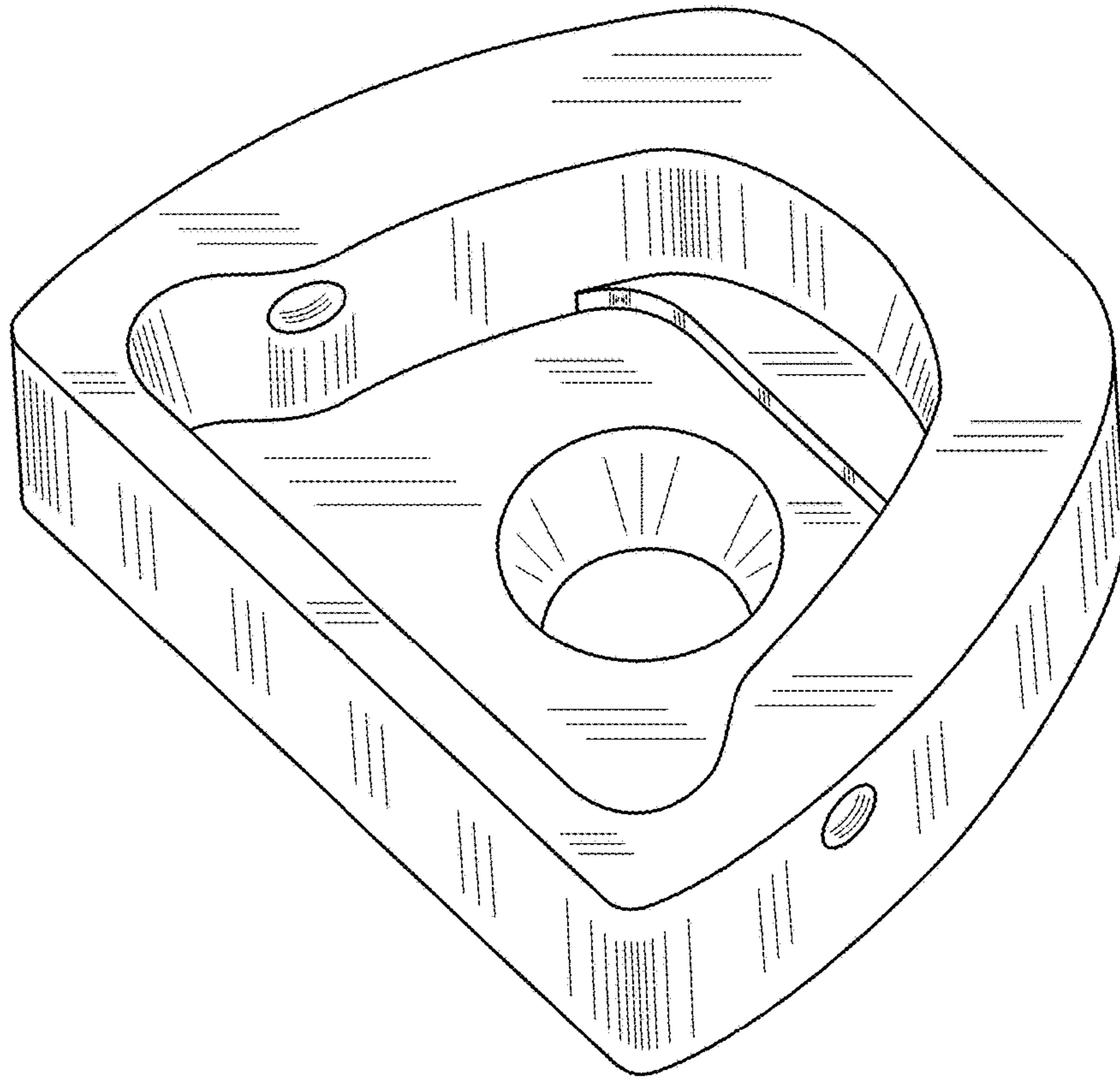


Fig. 8

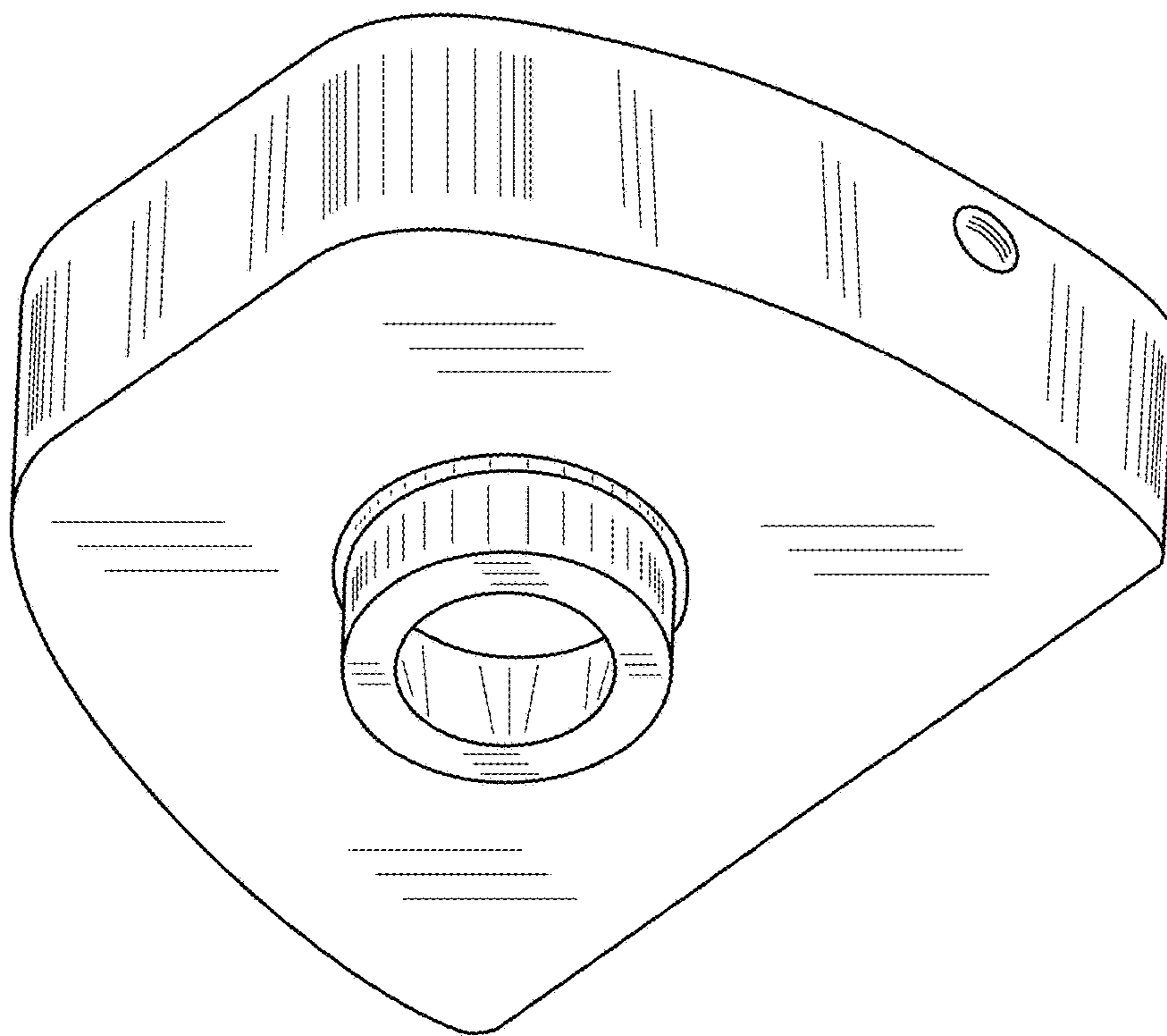


Fig. 9

