



US00D843190S

(12) **United States Design Patent**  
**Königer et al.**

(10) **Patent No.:** **US D843,190 S**  
(45) **Date of Patent:** **\*\* Mar. 19, 2019**

- (54) **COMBI HAMMER**
- (71) Applicant: **HILTI AKTIENGESELLSCHAFT**,  
Schaan (LI)
- (72) Inventors: **Tobias König**, Bregenz (AT);  
**Graham Keevy**, Aalen (DE); **Farouk Zemni**, Stuttgart (DE)
- (73) Assignee: **Hilti Aktiengesellschaft**, Schaan (LI)
- (\*\*) Term: **15 Years**
- (21) Appl. No.: **35/503,236**
- (22) Filed: **Dec. 20, 2016**
- (80) **Hague Agreement Data**  
Int. Filing Date: **Dec. 20, 2016**  
Int. Reg. No.: **DM/094068**  
Int. Reg. Date: **Dec. 20, 2016**  
Int. Reg. Pub. Date: **Jun. 23, 2017**
- (51) **LOC (11) Cl.** ..... **08-05**
- (52) **U.S. Cl.**  
USPC ..... **D8/69**
- (58) **Field of Classification Search**  
USPC ..... D8/14.1, 61-70  
CPC ..... B25D 16/00; B25D 17/02; B25D 11/125  
See application file for complete search history.
- (56) **References Cited**  
U.S. PATENT DOCUMENTS  
D491,438 S \* 6/2004 Cheung ..... D8/68  
D525,849 S \* 8/2006 Hayakawa ..... D8/69  
D555,451 S \* 11/2007 Okuda ..... D8/69

D575,606 S *	8/2008	Okouchi	.....	D8/69
D581,235 S *	11/2008	Aglassinger	.....	D8/69
D587,547 S *	3/2009	Aglassinger	.....	D8/69
D592,028 S *	5/2009	Taniguchi	.....	D8/69
D595,101 S *	6/2009	Bast	.....	D8/68
D604,583 S *	11/2009	Yamamoto	.....	D8/69
D610,478 S *	2/2010	Bast	.....	D10/69
D691,011 S *	10/2013	Walz	.....	D8/68
D740,636 S *	10/2015	Koeniger	.....	D8/69
D743,228 S *	11/2015	Koeniger	.....	D8/69
D797,535 S *	9/2017	Koeniger	.....	D8/69
D815,933 S *	4/2018	Koeniger	.....	D8/69
2013/0025895 A1 *	1/2013	Friedrich	.....	B25D 17/06 173/133
2014/0144658 A1 *	5/2014	Schmid	.....	B25D 11/005 173/90

\* cited by examiner

*Primary Examiner* — Darlington Ly  
(74) *Attorney, Agent, or Firm* — Crowell & Moring LLP

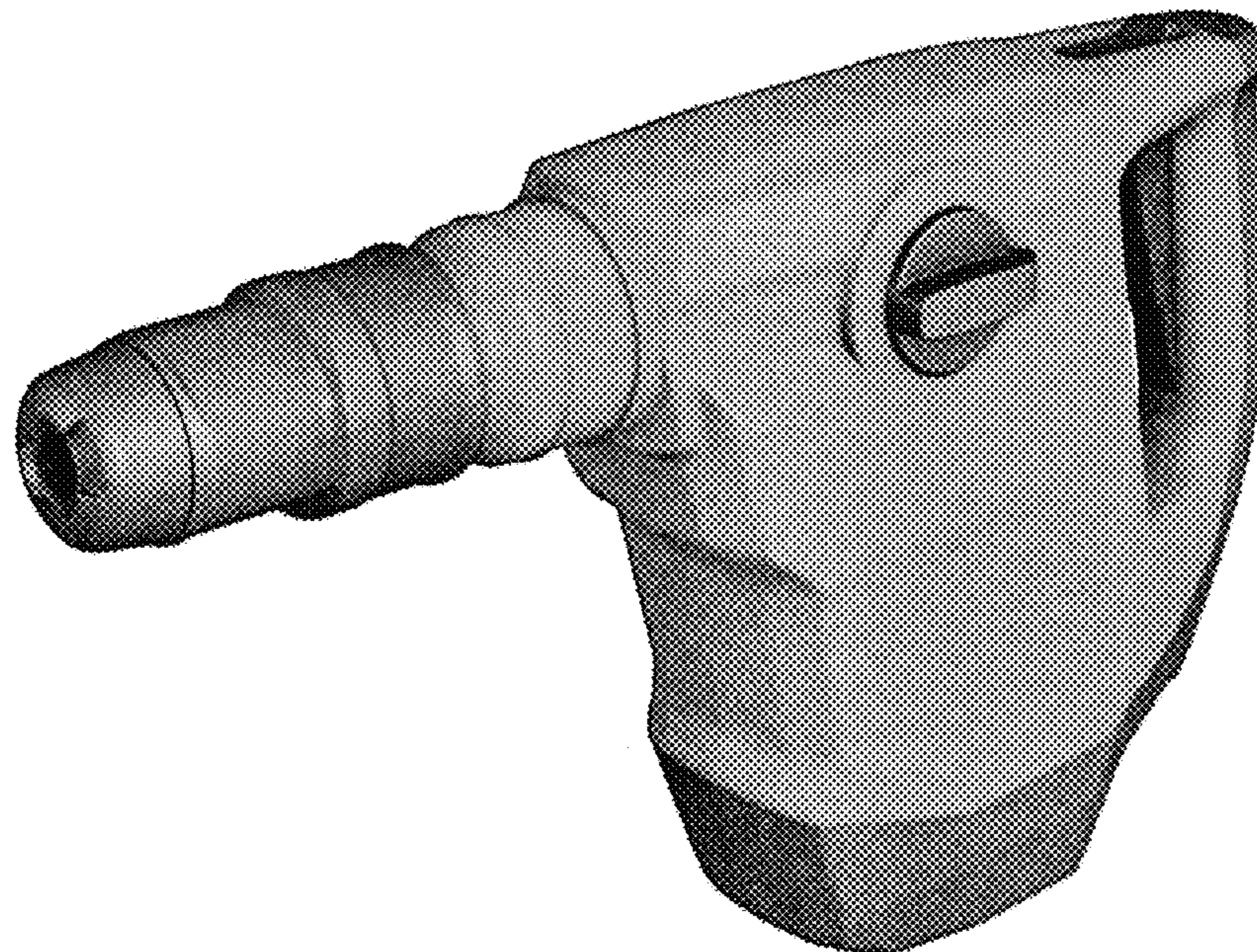
(57) **CLAIM**

The ornamental design for a combi hammer, as shown and described.

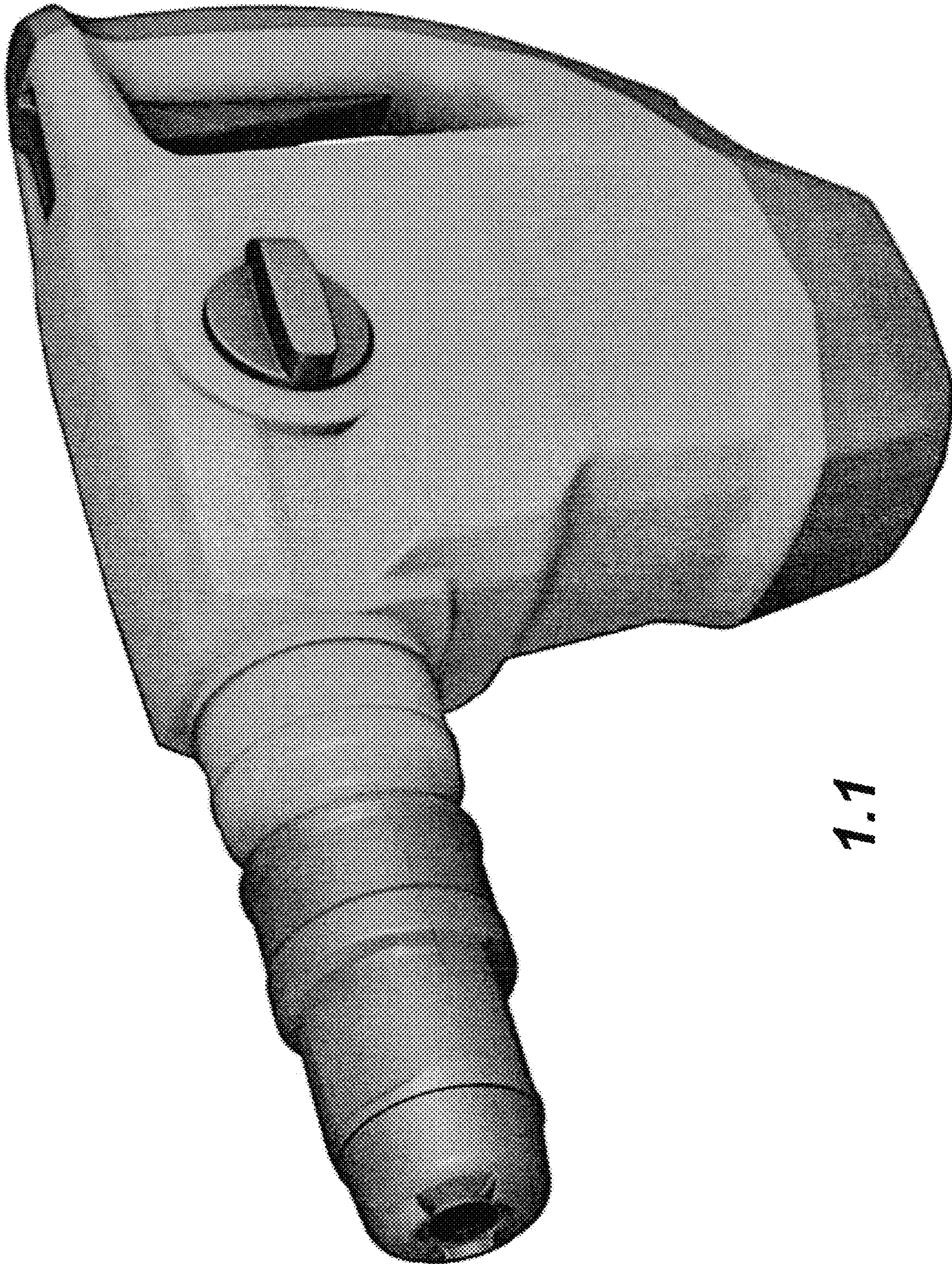
**DESCRIPTION**

- 1. Combi hammer
- 1.1 is a top, front, and right side perspective view of a combi hammer showing our new design;
- 1.2 is a bottom, rear, and left side perspective view thereof;
- 1.3 is a right side elevation view thereof;
- 1.4 is a left side elevation view thereof;
- 1.5 is a front elevation view thereof;
- 1.6 is a rear elevation view thereof;
- 1.7 is a top plan view thereof; and
- 1.8 is a bottom plan view thereof.

**1 Claim, 8 Drawing Sheets**

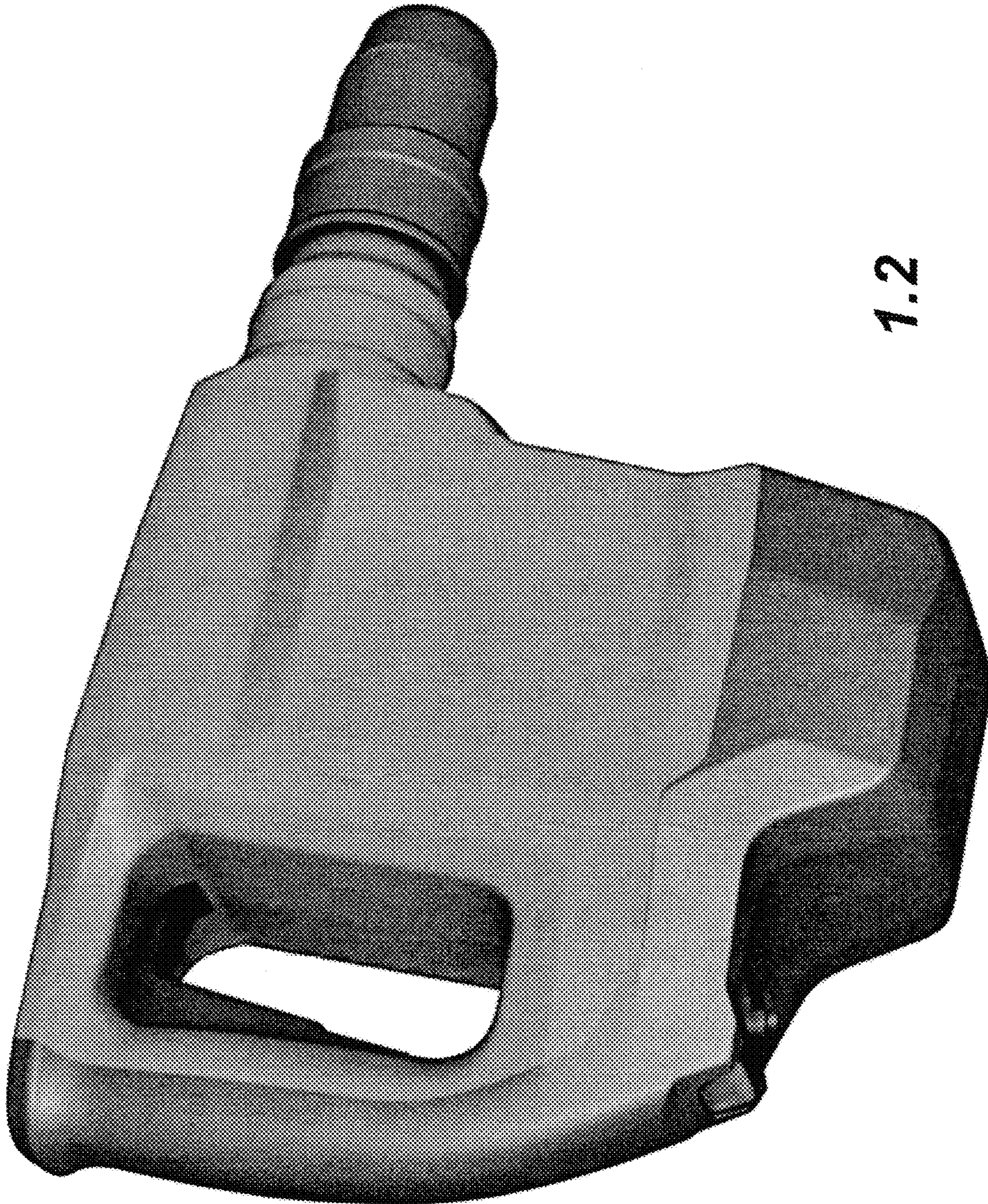






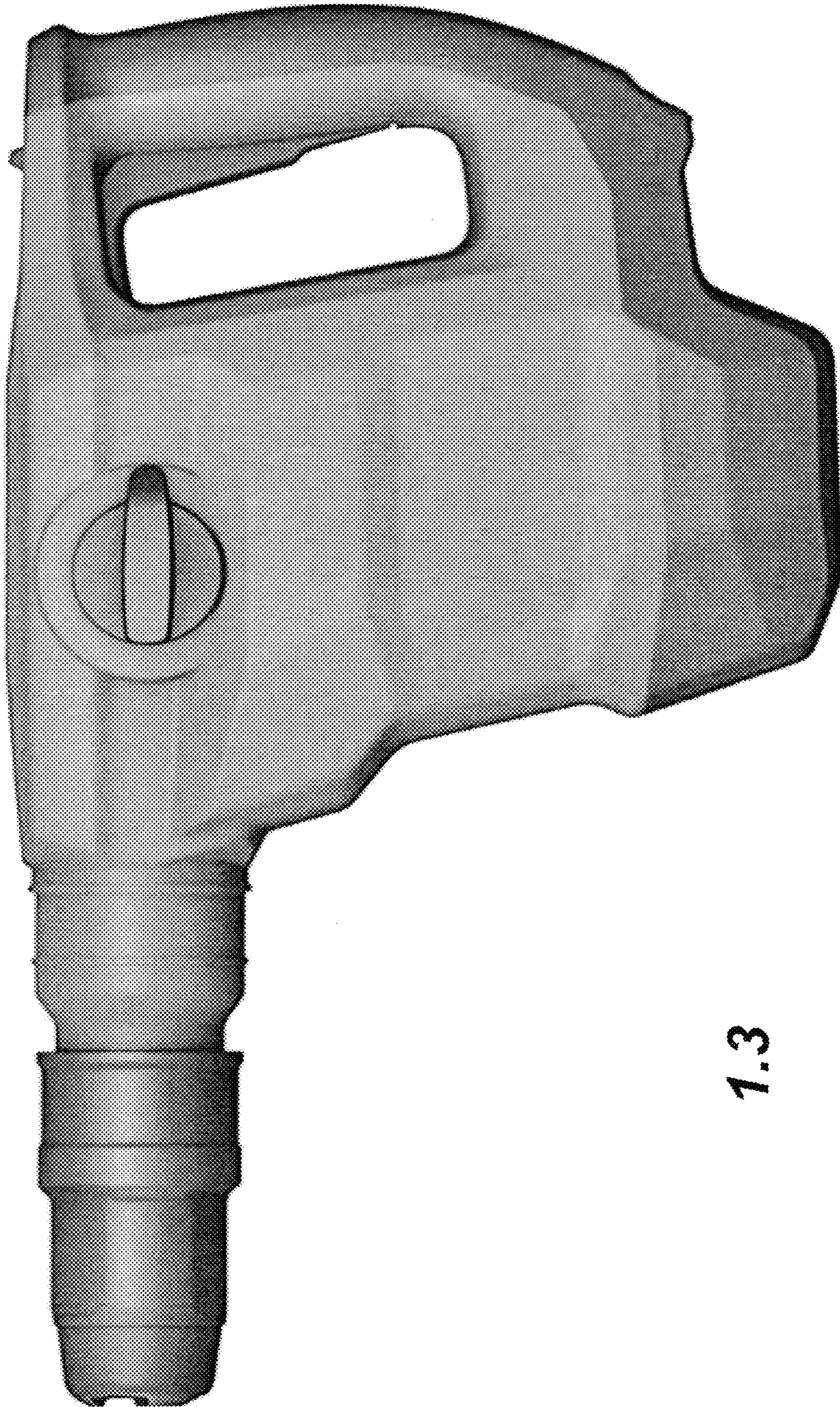
1.1





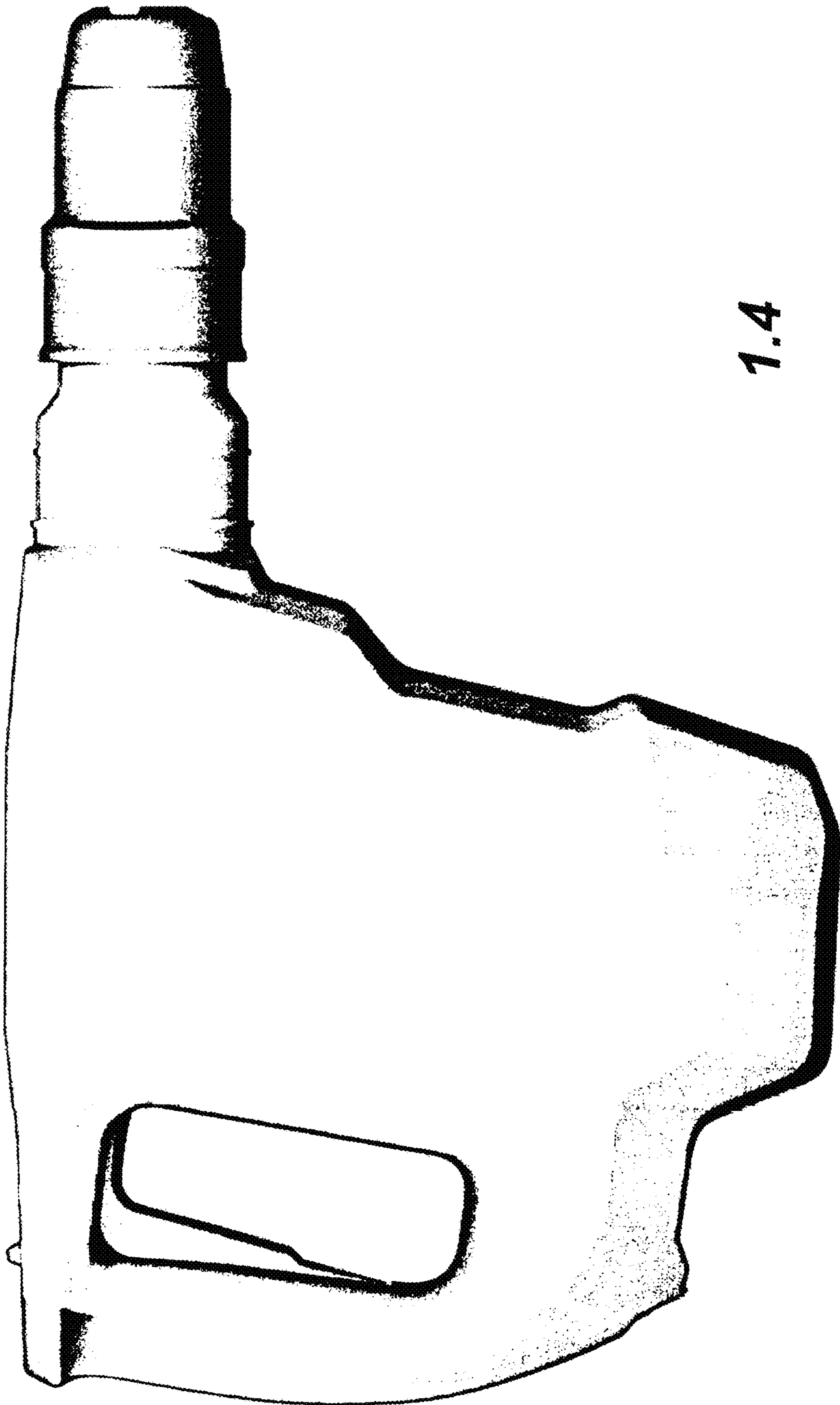
1.2



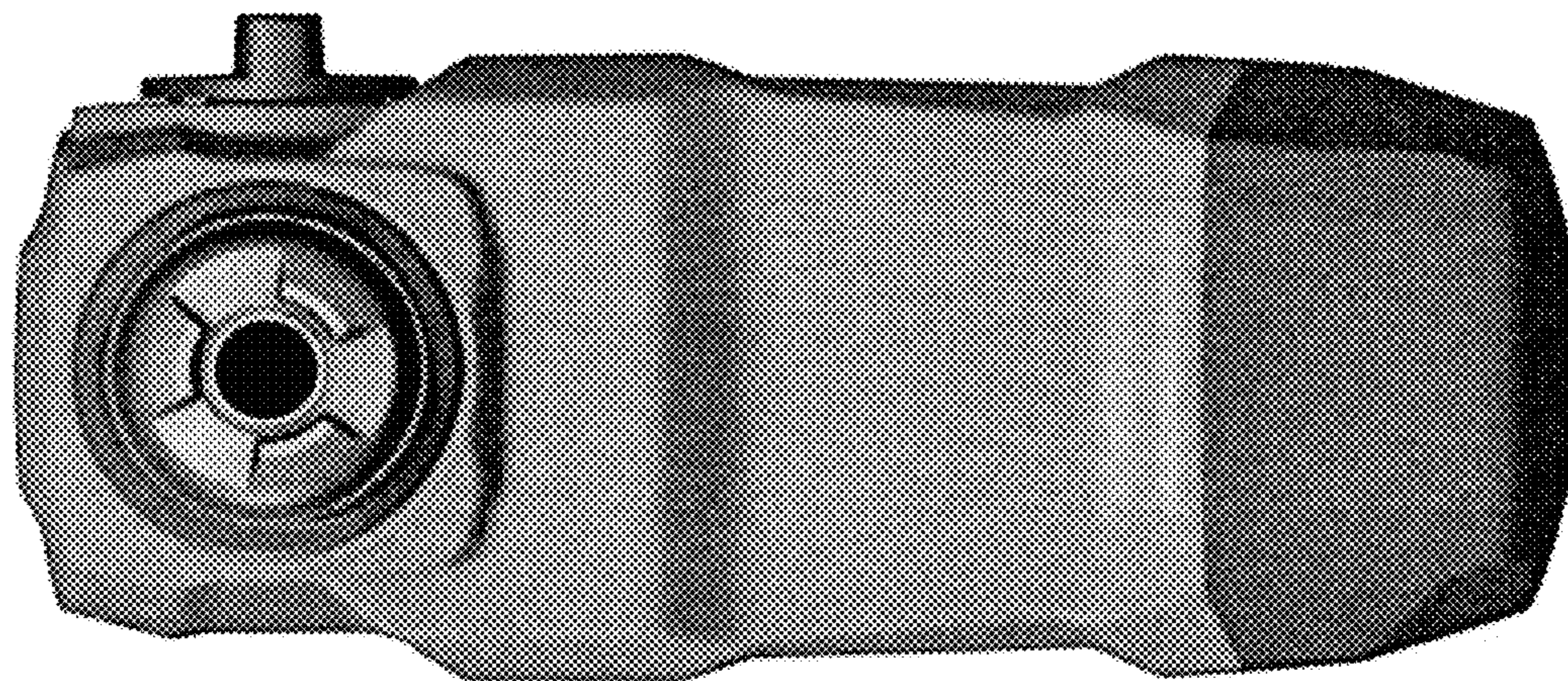


1.3



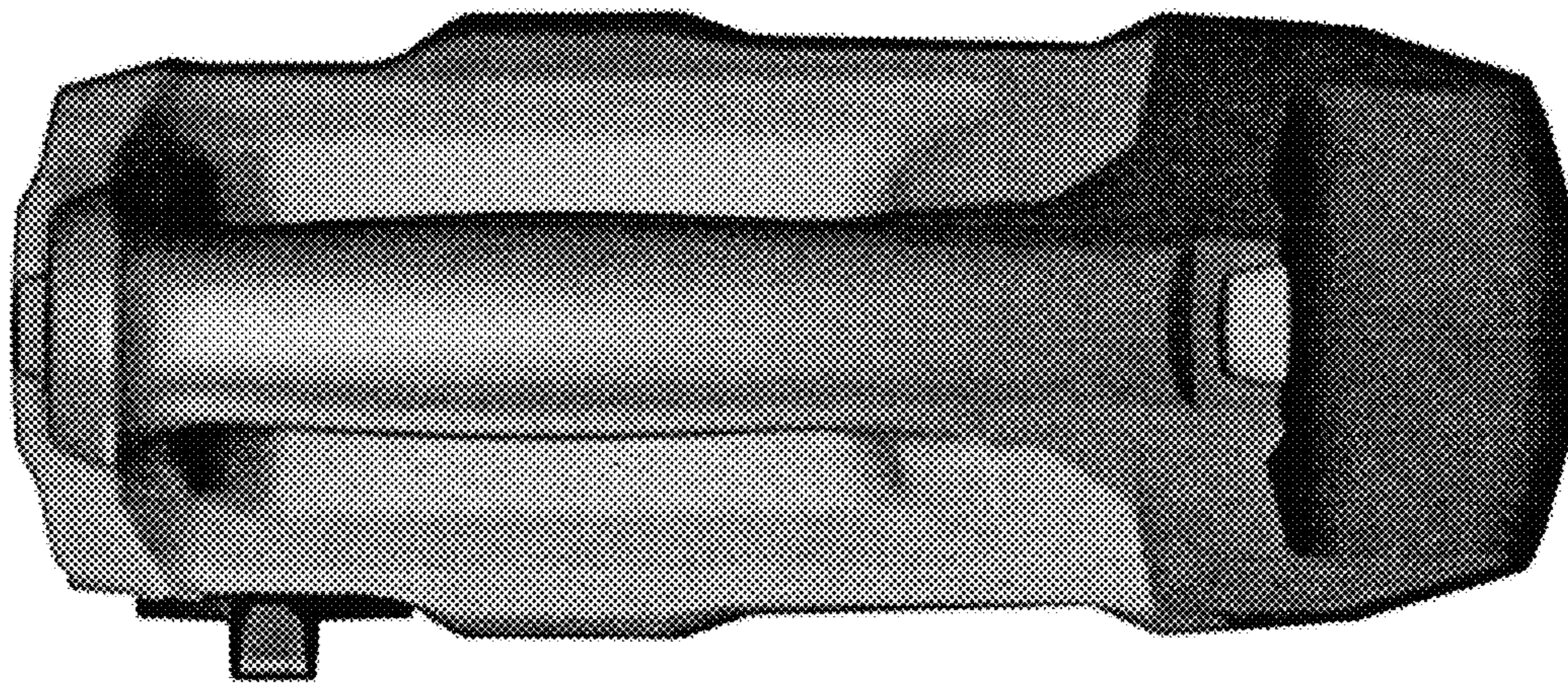


1.4



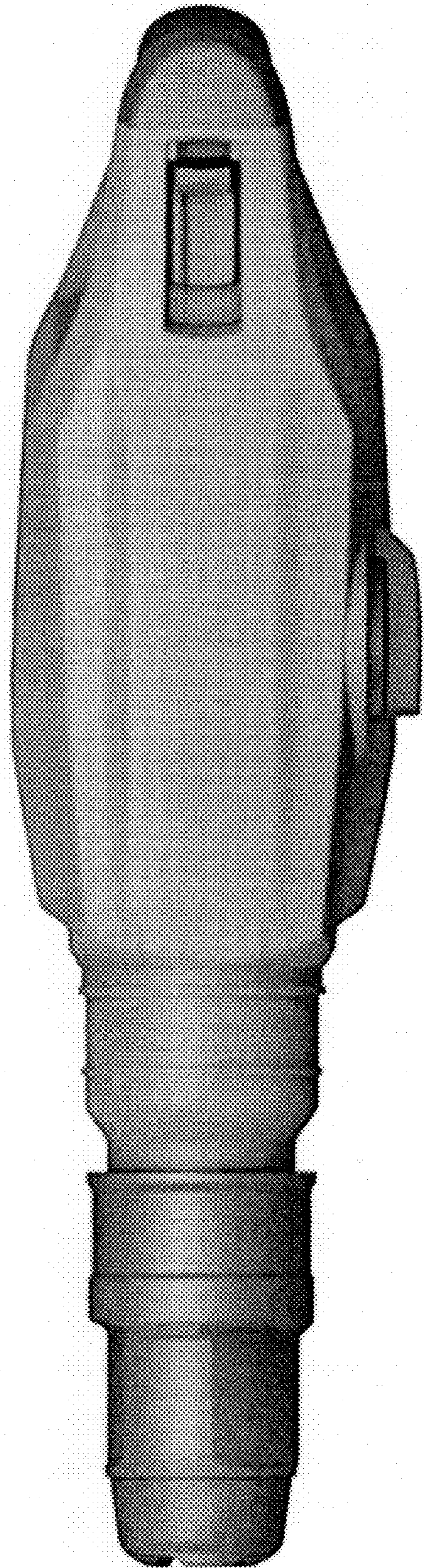
1.5





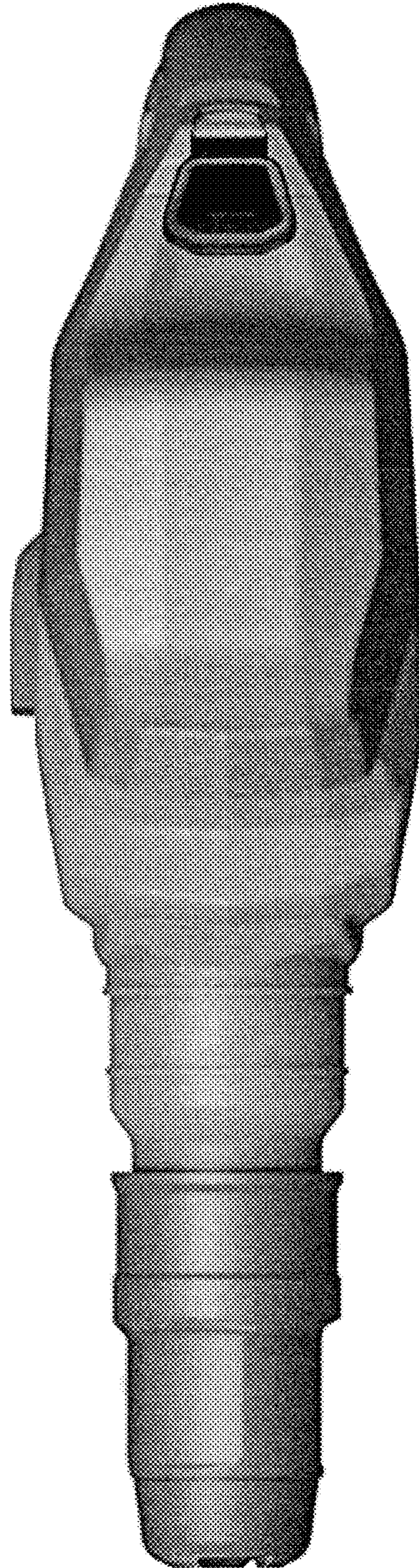
1.6





1.7





1.8