



US00D843189S

(12) **United States Design Patent**
Königer et al.

(10) **Patent No.:** **US D843,189 S**
(45) **Date of Patent:** **** Mar. 19, 2019**

(54) **BREAKER**

(71) Applicant: **HILTI AKTIENGESELLSCHAFT**,
Schaan (LI)
(72) Inventors: **Tobias König**, Bregenz (AT);
Graham Keevy, Aalen (DE); **Farouk**
Zemni, Stuttgart (DE)
(73) Assignee: **Hilti Aktiengesellschaft**, Schaan (LI)

(**) Term: **15 Years**

(21) Appl. No.: **35/503,212**

(22) Filed: **Dec. 20, 2016**

(80) **Hague Agreement Data**

Int. Filing Date: **Dec. 20, 2016**
Int. Reg. No.: **DM/094247**
Int. Reg. Date: **Dec. 20, 2016**
Int. Reg. Pub. Date: **Jun. 23, 2017**

(51) **LOC (11) Cl.** **08-05**

(52) **U.S. Cl.**
USPC **D8/69**

(58) **Field of Classification Search**
USPC D8/14.1, 61-70
CPC B25D 16/00; B25D 17/02; B25D 11/125
See application file for complete search history.

(56) **References Cited**

U.S. PATENT DOCUMENTS

D491,438 S * 6/2004 Cheung D8/68
D525,849 S * 8/2006 Hayakawa D8/69
D555,451 S * 11/2007 Okuda D8/69

D575,606 S * 8/2008 Okouchi D8/69
D581,235 S * 11/2008 Aglassinger D8/69
D587,547 S * 3/2009 Aglassinger D8/69
D592,028 S * 5/2009 Taniguchi D8/69
D595,101 S * 6/2009 Bast D8/68
D604,583 S * 11/2009 Yamamoto D8/69
D610,478 S * 2/2010 Bast D10/69
D691,011 S * 10/2013 Walz D8/68
D740,636 S * 10/2015 Koeniger D8/69
D743,228 S * 11/2015 Koeniger D8/69
D797,535 S * 9/2017 Koeniger D8/69
D815,933 S * 4/2018 Koeniger D8/69
2013/0025895 A1 * 1/2013 Friedrich B25D 17/06
173/133
2014/0144658 A1 * 5/2014 Schmid B25D 11/005
173/90

* cited by examiner

Primary Examiner — Darlington Ly

(74) *Attorney, Agent, or Firm* — Crowell & Moring LLP

(57) **CLAIM**

The ornamental design for a breaker, as shown and described.

DESCRIPTION

1. Breaker

1.1 is a top, front, and right side perspective view of a breaker showing our new design;

1.2 is a bottom, rear, and left side perspective view thereof;

1.3 is a right side elevation view thereof;

1.4 is a left side elevation view thereof;

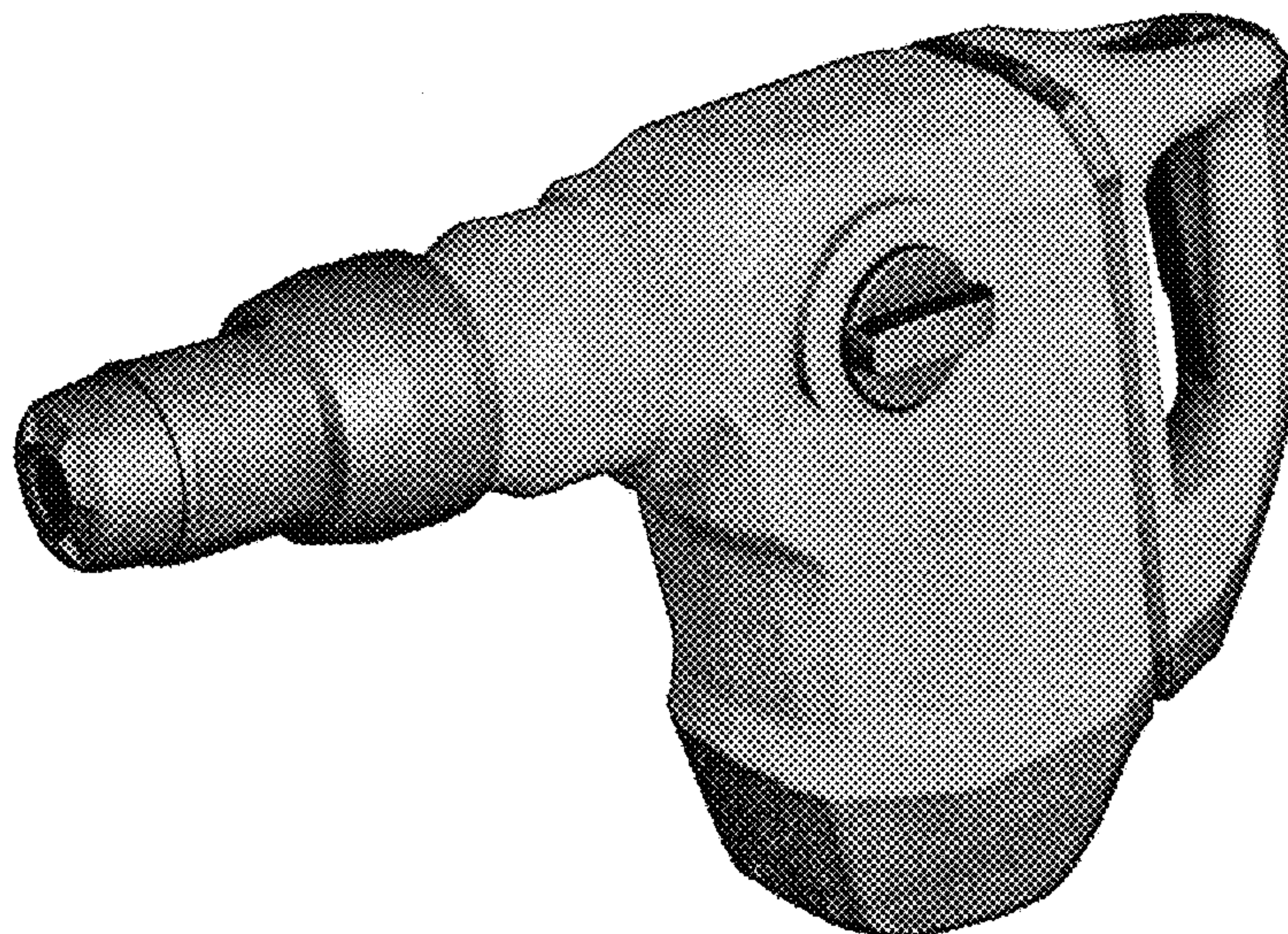
1.5 is a front elevation view thereof;

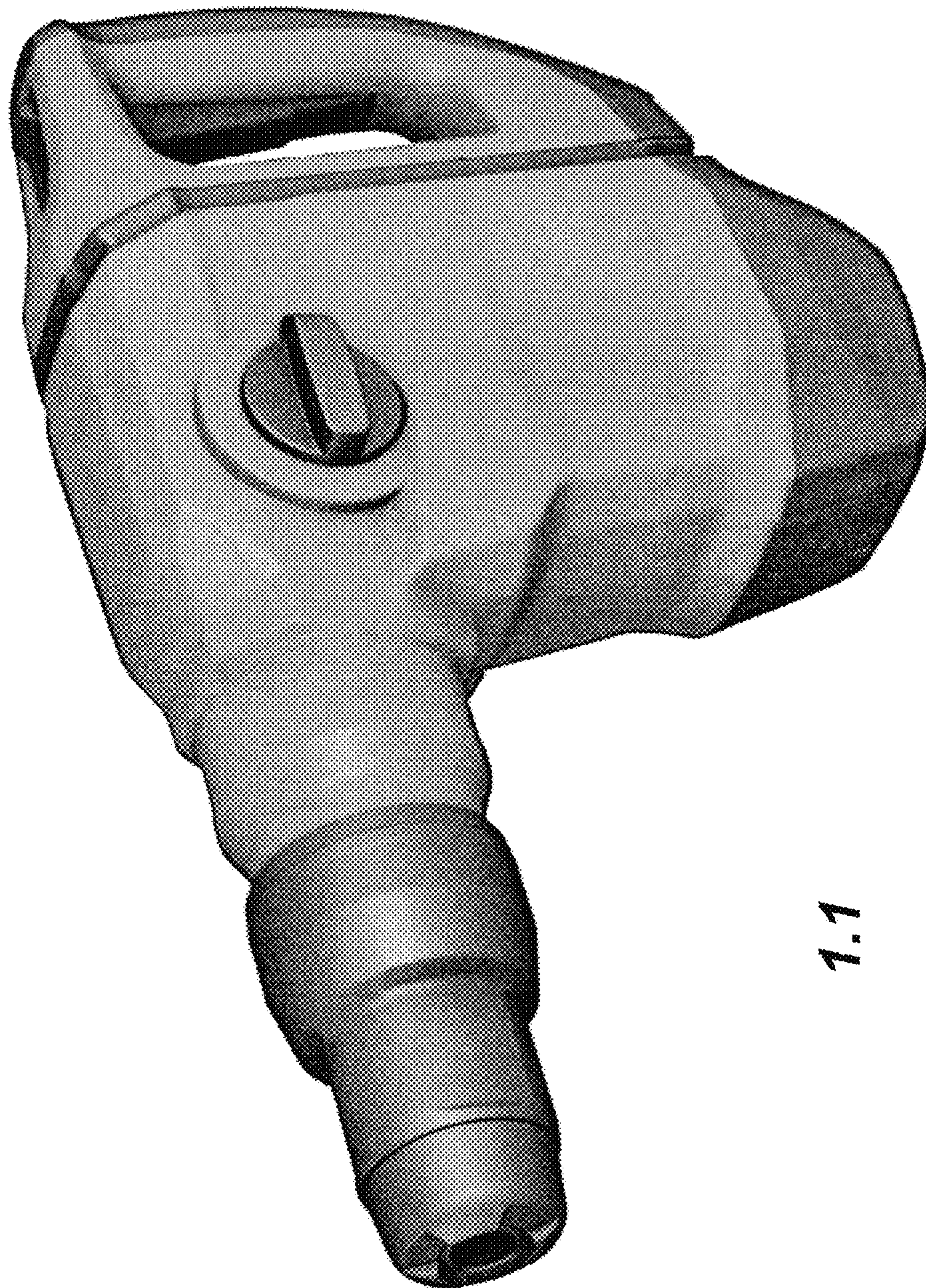
1.6 is a rear elevation view thereof;

1.7 is a top plan view thereof; and

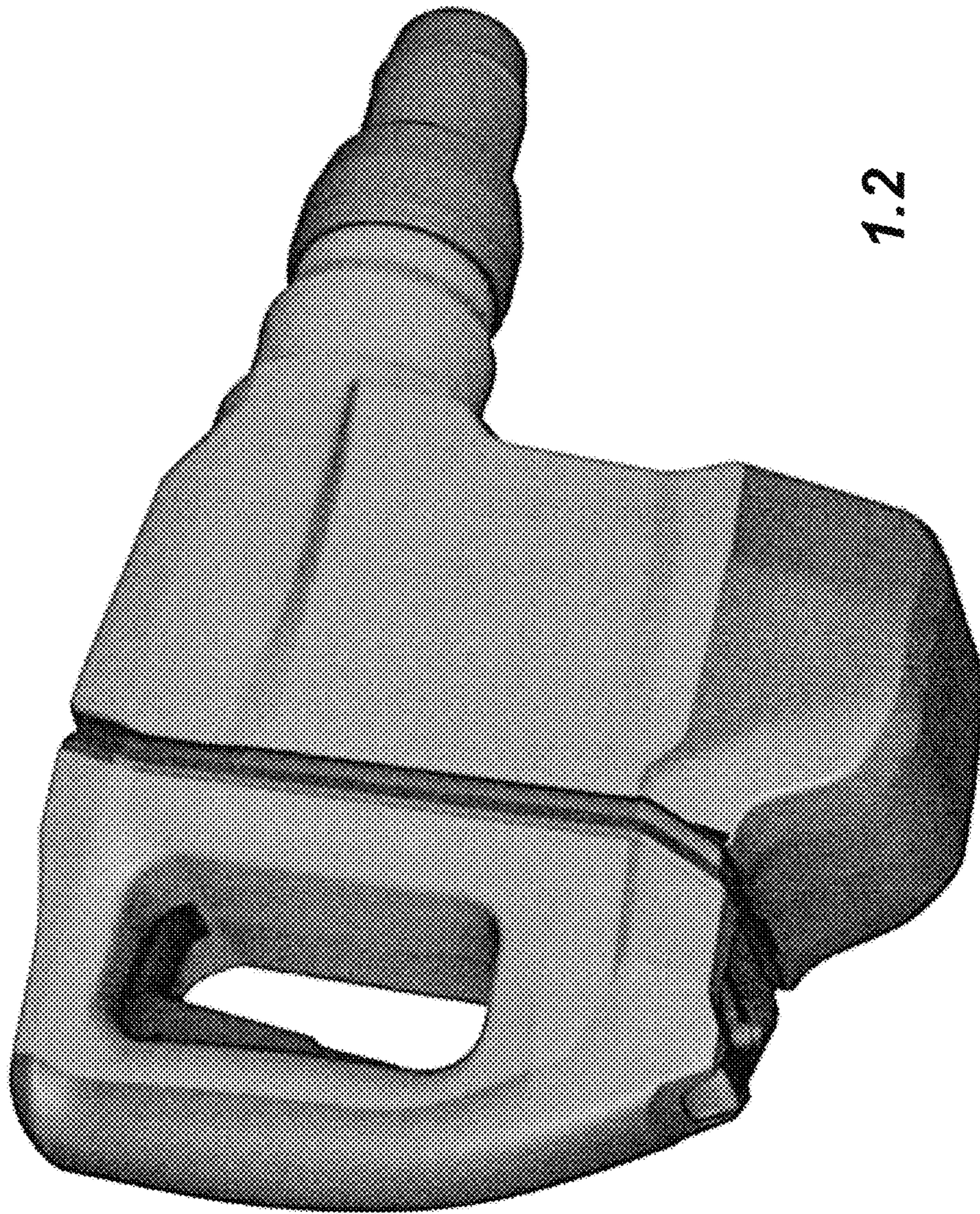
1.8 is a bottom plan view thereof.

1 Claim, 8 Drawing Sheets

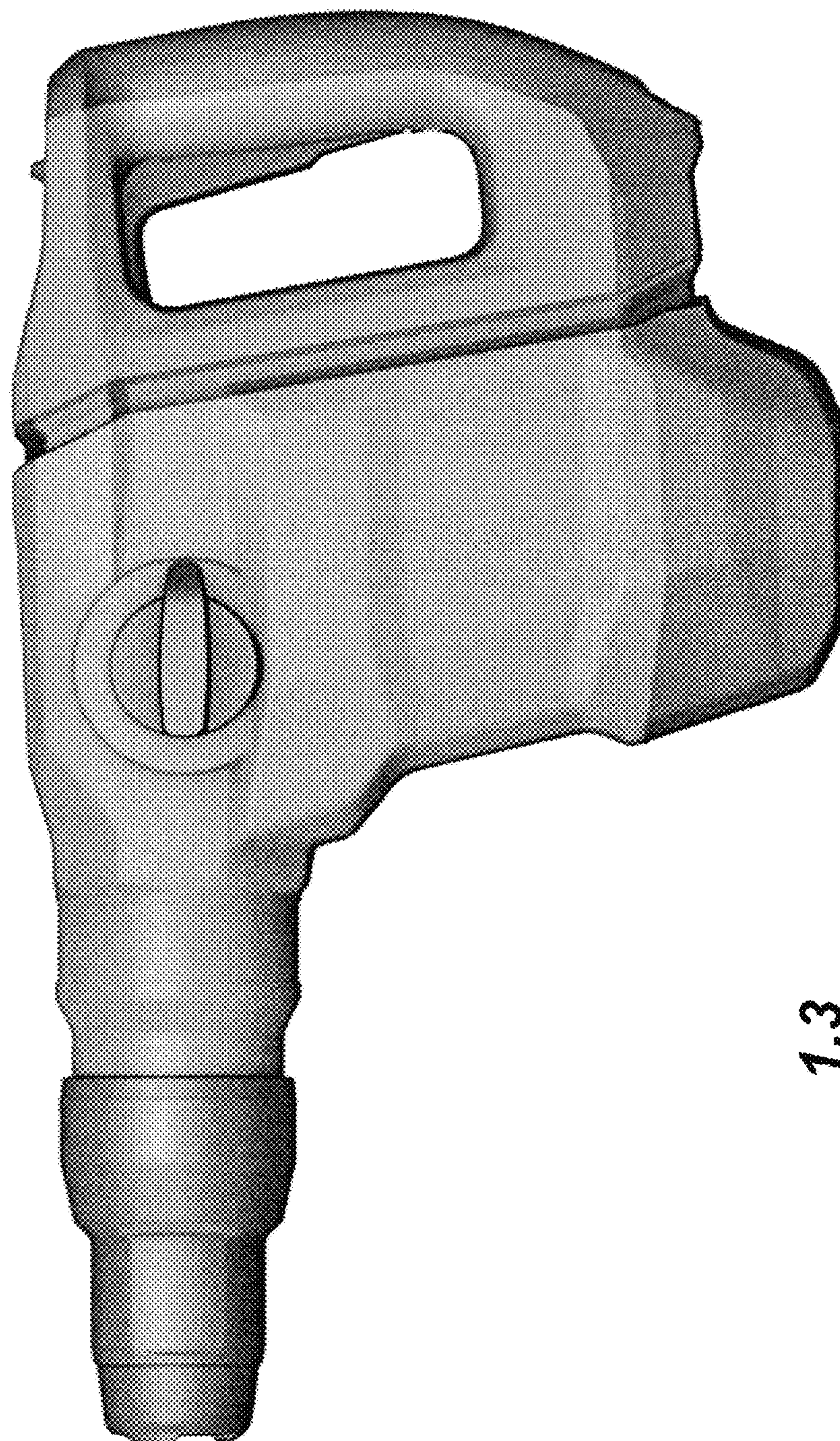




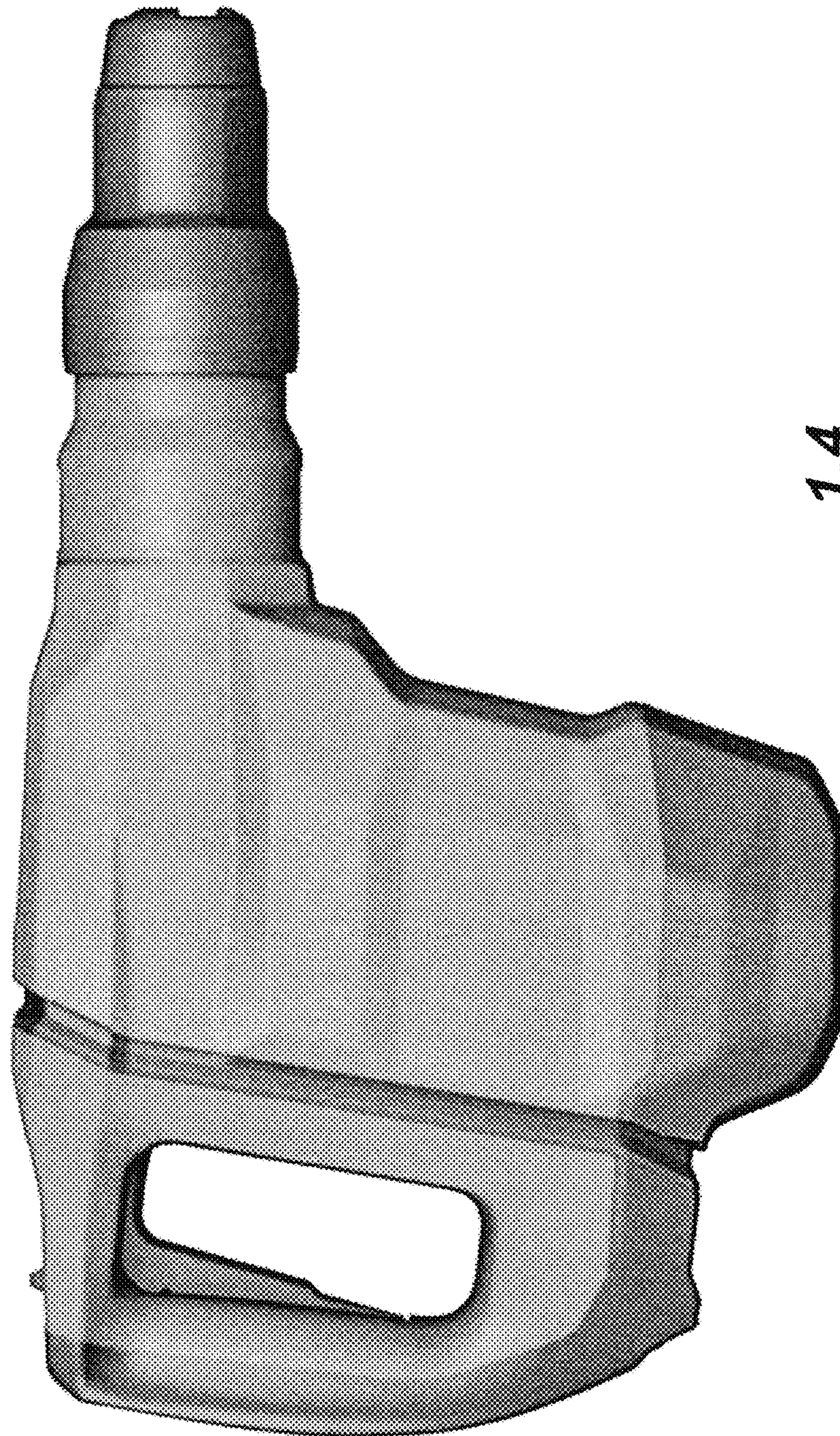
1.1



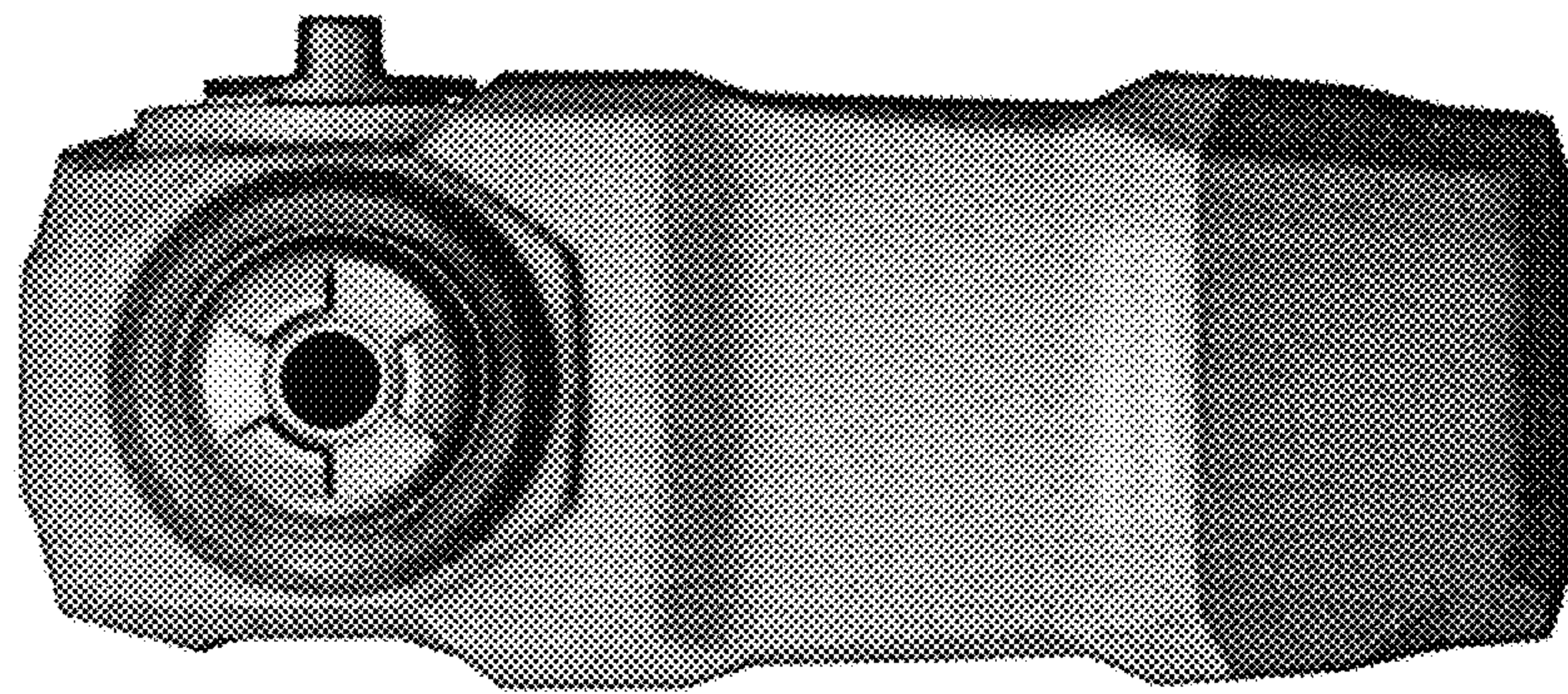
1.2



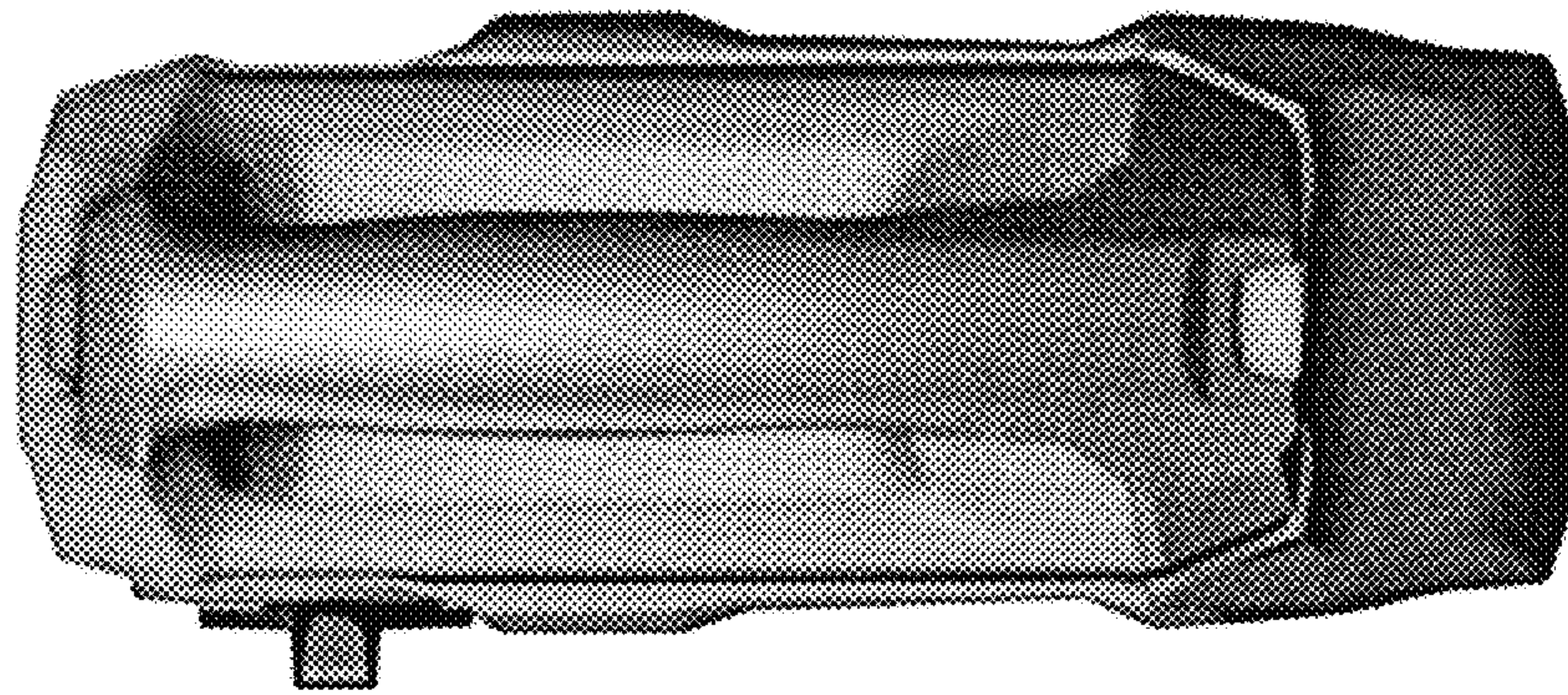
1.3



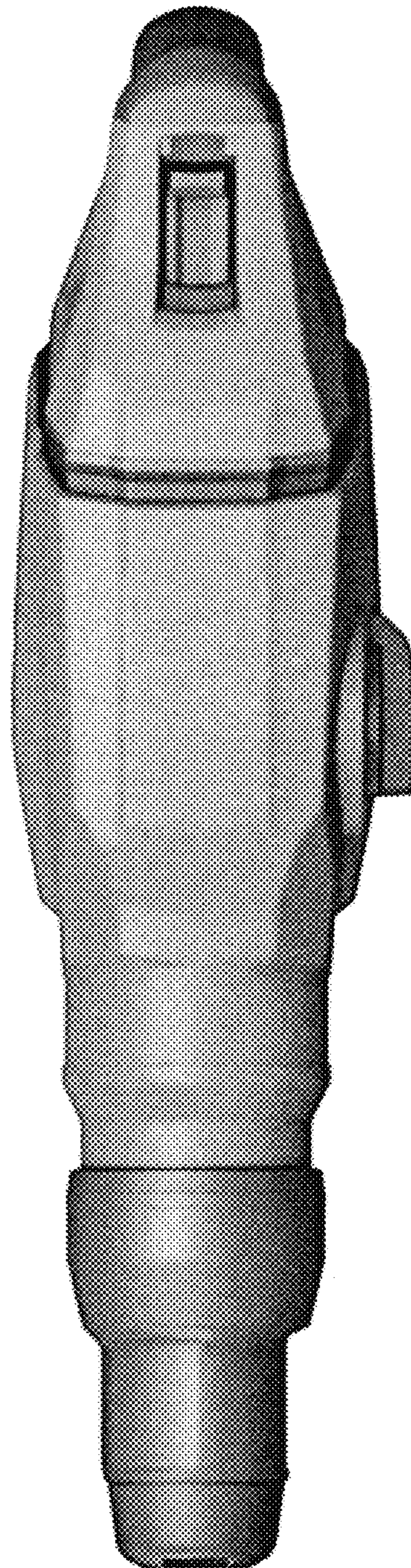
1.4



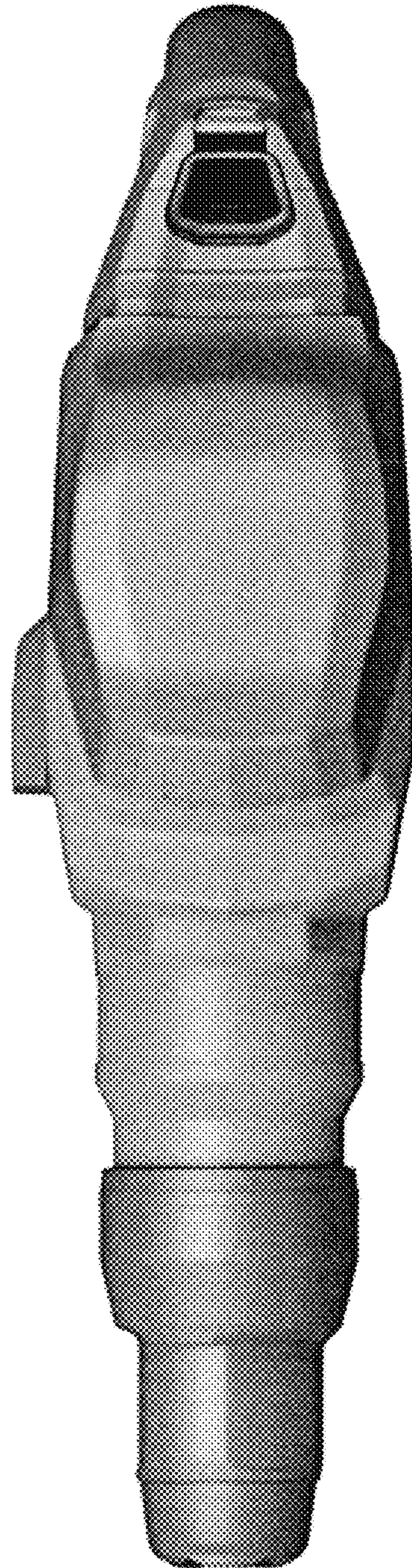
1.5



1.6



1.7



1.8