



US00D843188S

(12) **United States Design Patent** (10) **Patent No.:** **US D843,188 S**
Croghan (45) **Date of Patent:** **** Mar. 19, 2019**

(54) **BRUSHLESS IMPACT DRIVER**
(71) Applicant: **7RDD Limited**, North Yorkshire (GB)
(72) Inventor: **Eamon Croghan**, Yorkshire (GB)
(73) Assignee: **7RDD Limited**, Dunnington, York (GB)
(**) Term: **15 Years**
(21) Appl. No.: **29/598,995**
(22) Filed: **Mar. 30, 2017**
(51) **LOC (11) Cl.** **08-05**
(52) **U.S. Cl.**
USPC **D8/68**
(58) **Field of Classification Search**
USPC D8/61, 67, 68
CPC B62D 23/005; B62D 29/00; B62D 29/043;
B62D 31/00; B62D 33/046; B62D 35/00;
B62D 35/001; B60Q 1/0005
See application file for complete search history.

D614,468 S * 4/2010 Aglassinger D8/68
D617,622 S * 6/2010 Lopano D8/68
D628,038 S * 11/2010 Aoki D8/68
D656,804 S * 4/2012 Murray D8/68
D672,627 S * 12/2012 Kawase D8/61
D677,137 S * 3/2013 Kawase D8/68
D678,024 S * 3/2013 Taniguchi D8/68
D679,160 S * 4/2013 Okuda D8/68
D679,161 S * 4/2013 Kawase D8/61
D691,444 S * 10/2013 Tirone D8/68
D700,822 S * 3/2014 Tschopp D8/68
D707,522 S * 6/2014 Naksen D8/68
D721,938 S * 2/2015 Aoki D8/68
D761,069 S * 7/2016 Aoki D8/68
D777,545 S * 1/2017 Kosugi D8/68

* cited by examiner

Primary Examiner — Darlington Ly
(74) *Attorney, Agent, or Firm* — Woodard, Emhardt,
Henry, Reeves & Wagner, LLP

(57) **CLAIM**

The ornamental design for a brushless impact driver, as shown and described.

(56) **References Cited**

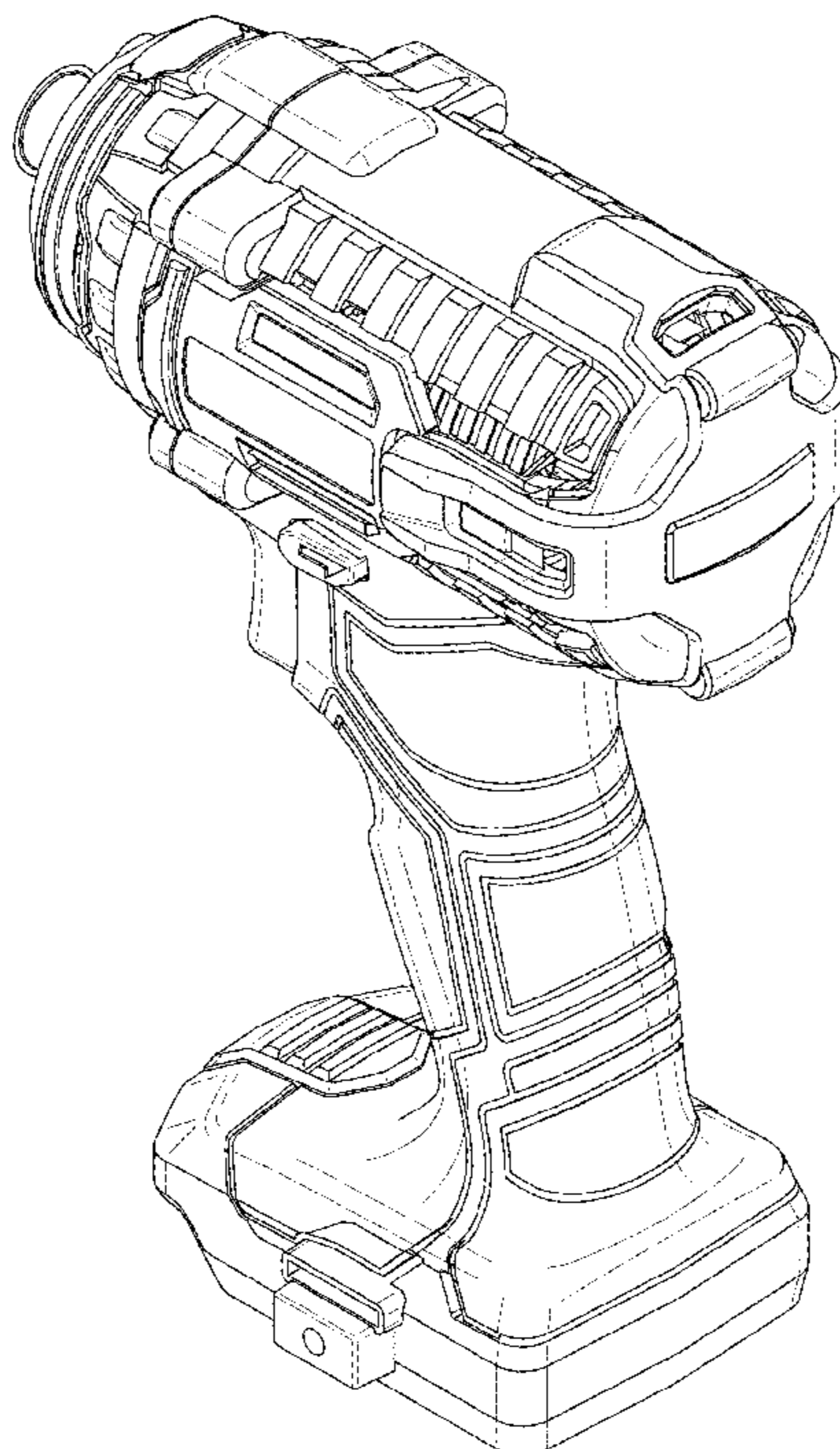
U.S. PATENT DOCUMENTS

D524,136 S * 7/2006 Taniguchi D8/68
D525,099 S * 7/2006 Nagasaka D8/68
D556,002 S * 11/2007 Ino D8/68
D567,615 S * 4/2008 Taniguchi D8/68
D577,558 S * 9/2008 Taniguchi D8/68
D579,743 S * 11/2008 Lopano D8/68
D584,123 S * 1/2009 Lopano D8/68
D585,715 S * 2/2009 Okuda D8/68
D585,716 S * 2/2009 Taniguchi D8/68
D606,376 S * 12/2009 Okuda D8/68
D610,421 S * 2/2010 Taniguchi D8/68

DESCRIPTION

FIG. 1 is a top, rear and right side perspective view of a brushless impact driver showing my new design;
FIG. 2 is a right side elevation view thereof;
FIG. 3 is a left side elevation view thereof;
FIG. 4 is a rear elevation view thereof;
FIG. 5 is a front elevation view thereof; and,
FIG. 6 is a top plan view thereof.
The broken lines in the drawings illustrate portions of the torque wrench that form no part of the claimed design.

1 Claim, 5 Drawing Sheets



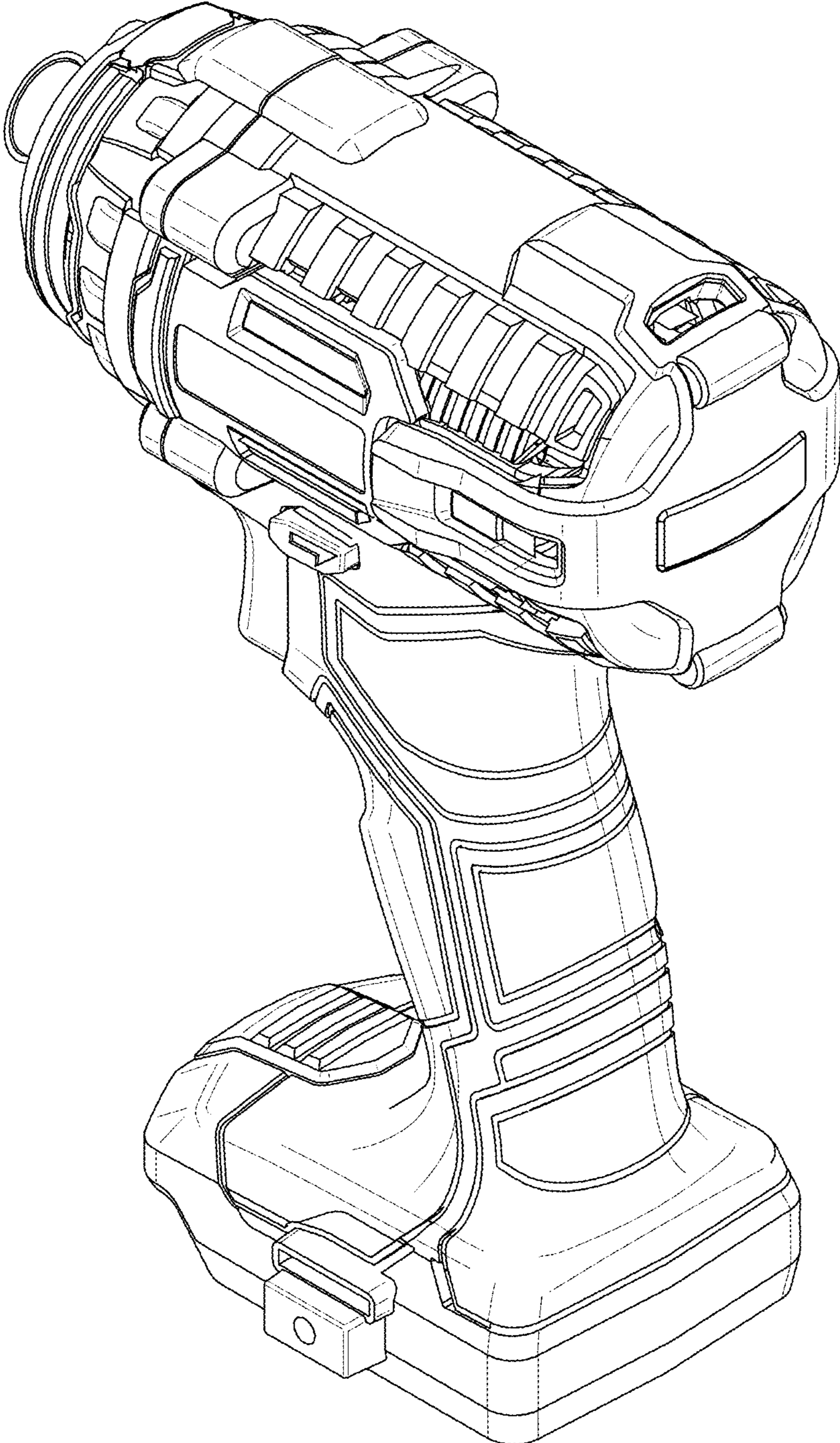


Fig. 1

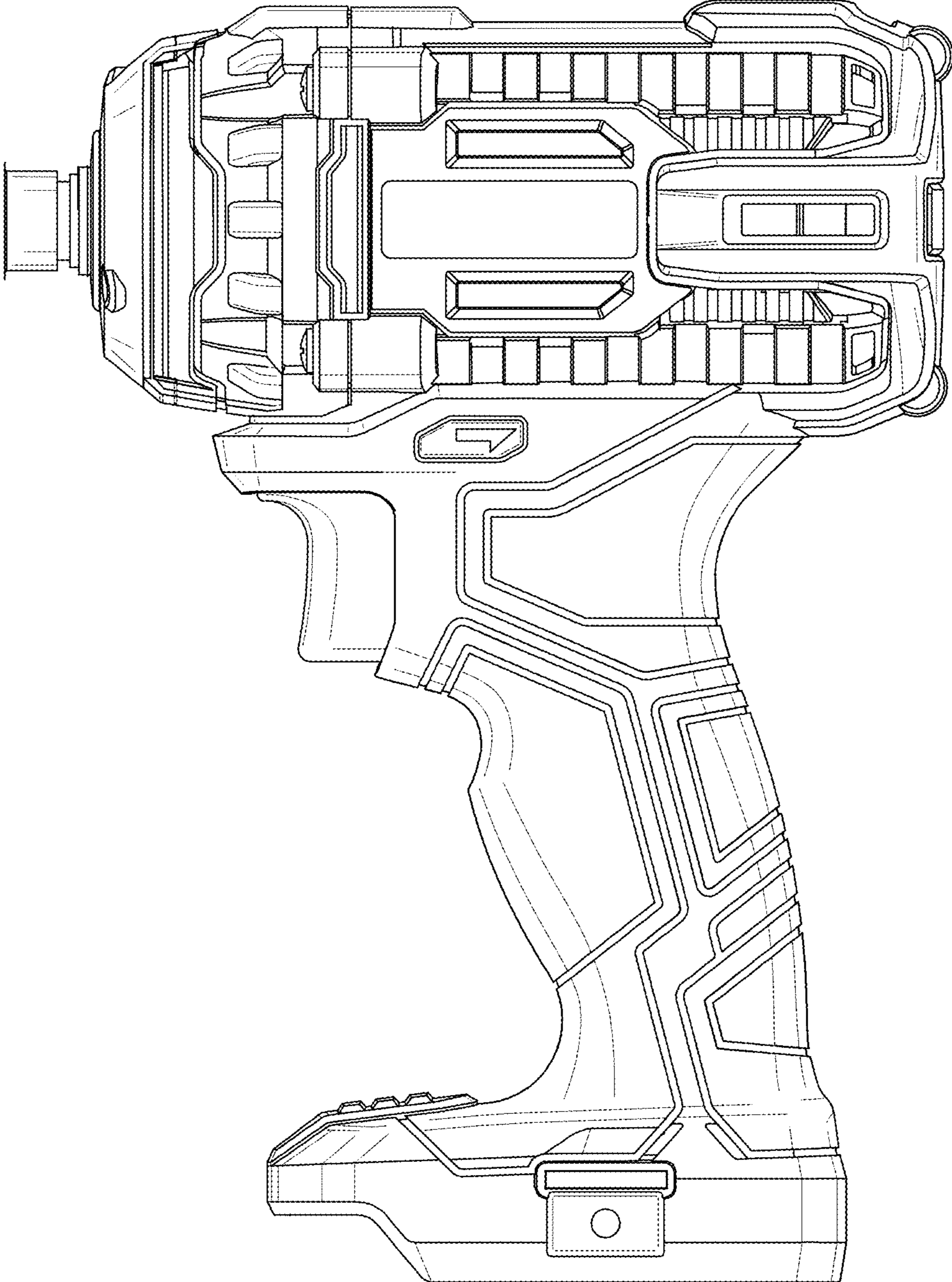


Fig. 2

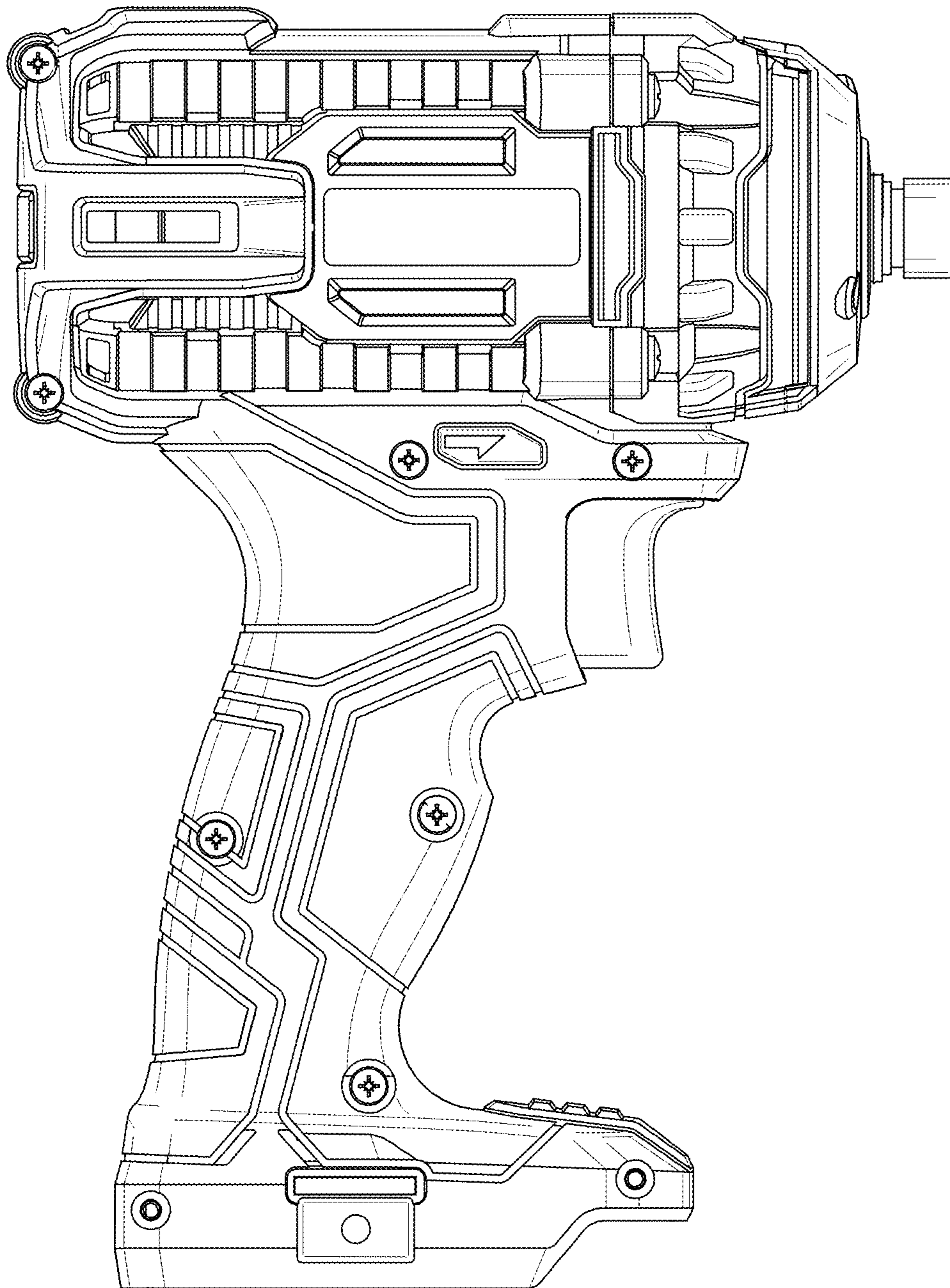


Fig. 3

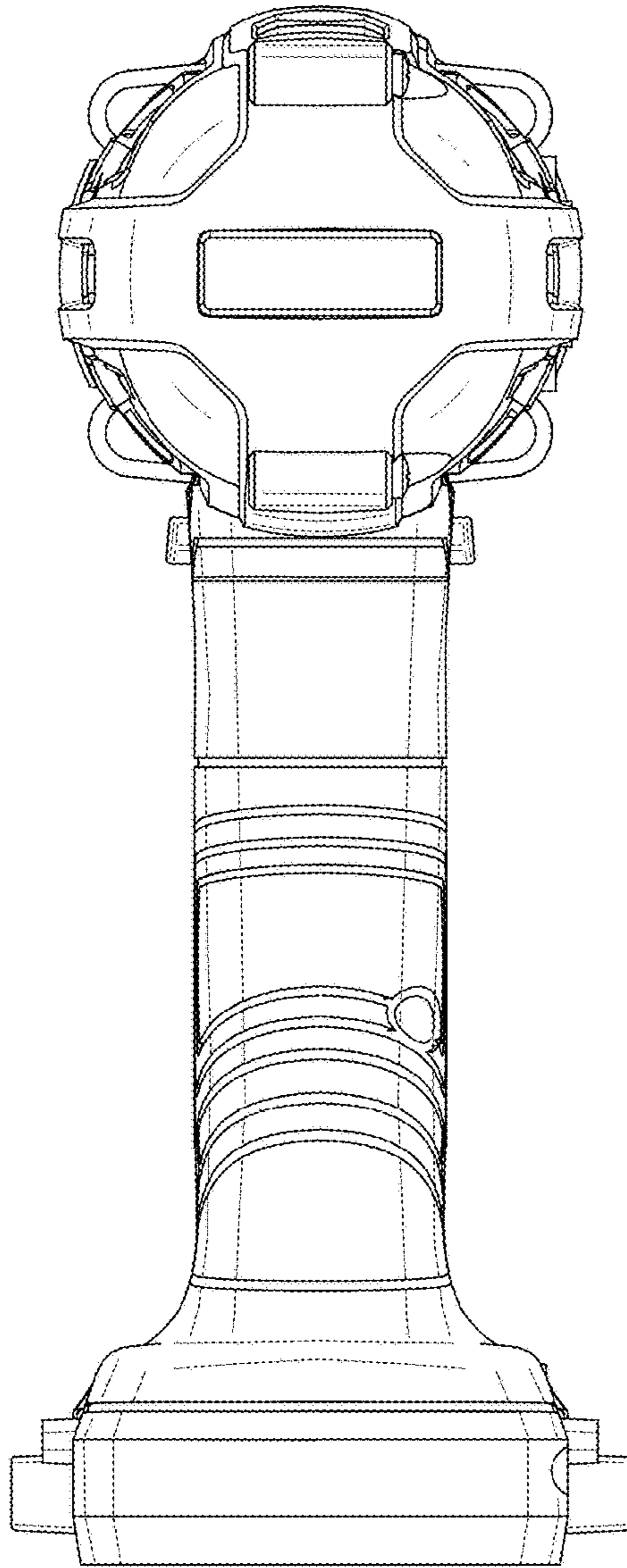


Fig. 4

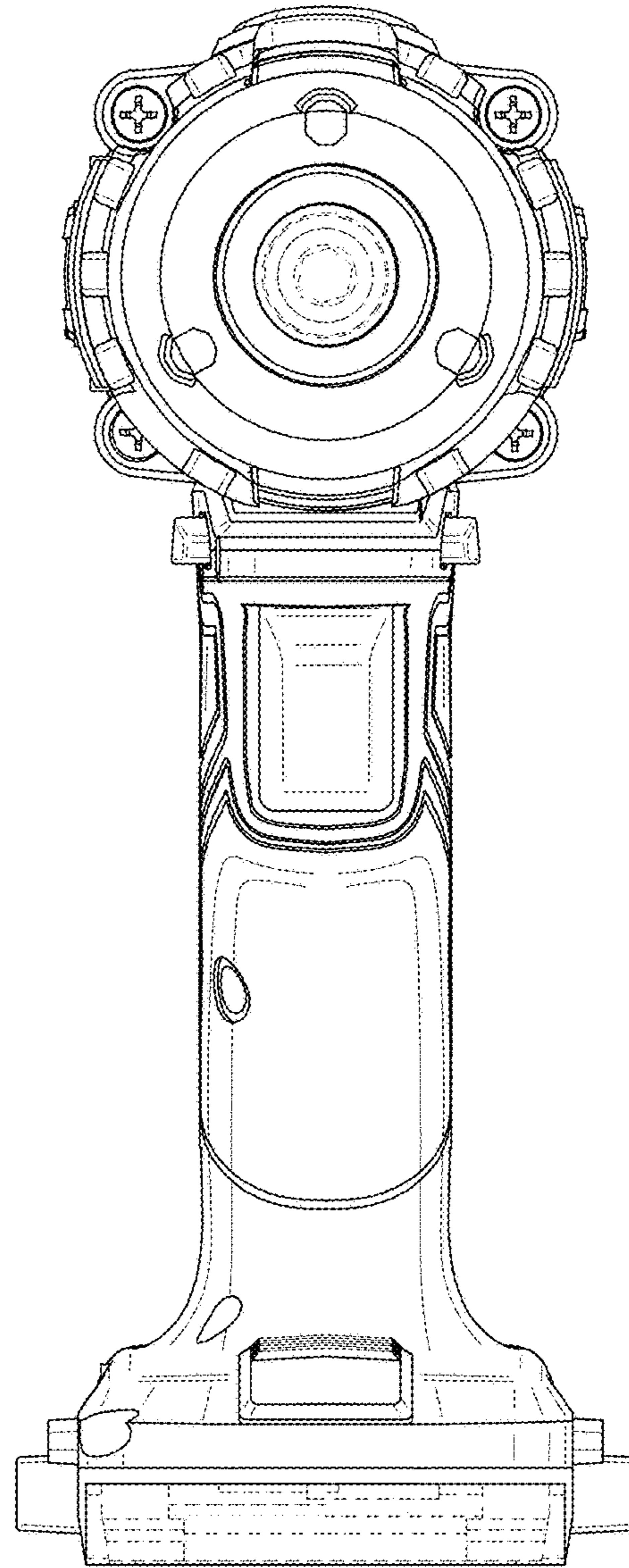


Fig. 5

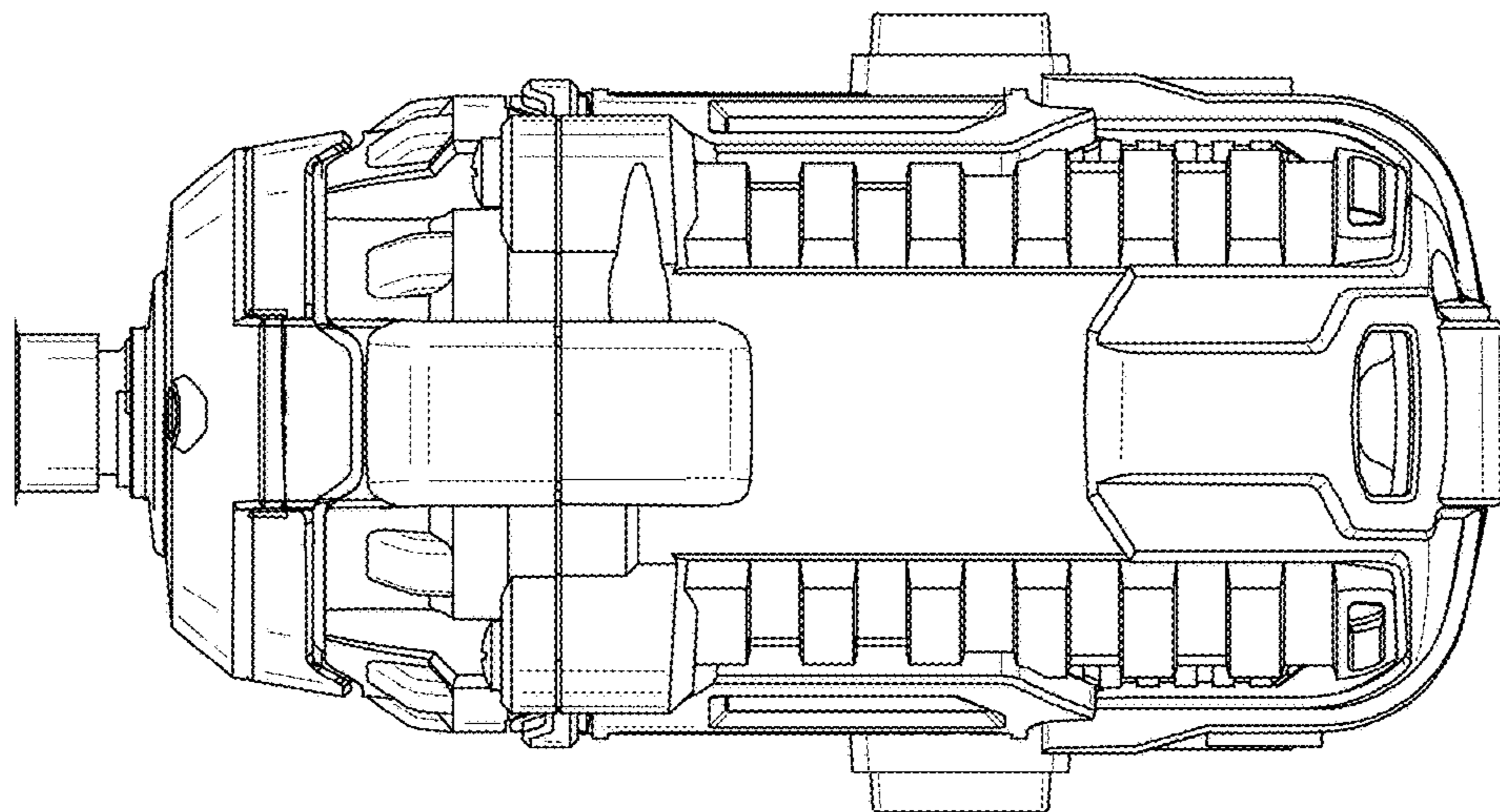


Fig. 6