



US00D843187S

(12) **United States Design Patent**
Youtsey

(10) **Patent No.:** **US D843,187 S**

(45) **Date of Patent:** **** Mar. 19, 2019**

(54) **COAXIAL CABLE COMPRESSION TOOL**

(71) Applicant: **PCT INTERNATIONAL, INC.**, Mesa, AZ (US)

(72) Inventor: **Timothy L. Youtsey**, Mesa, AZ (US)

(**) Term: **15 Years**

(21) Appl. No.: **35/502,788**

(22) Filed: **Oct. 14, 2016**

(80) **Hague Agreement Data**

Int. Filing Date: **Oct. 14, 2016**

Int. Reg. No.: **DM/093640**

Int. Reg. Date: **Oct. 14, 2016**

Int. Reg. Pub. Date: **Apr. 14, 2017**

(51) **LOC (11) Cl.** **08-05**

(52) **U.S. Cl.**
USPC **D8/51**

(58) **Field of Classification Search**

USPC D8/44, 51, 59, 61

CPC Y10T 29/53226; Y10T 29/53235; Y10T 29/53257; Y10T 29/53213; Y10T 29/5327; Y10T 29/49185; Y10T 29/53209; Y10T 29/53222; Y10T 29/49181; H01R 43/042

See application file for complete search history.

(56) **References Cited**

U.S. PATENT DOCUMENTS

4,932,091 A 6/1990 Krzyzanski
5,647,119 A 7/1997 Bourbeau et al.
5,934,137 A 8/1999 Tarpill
6,272,738 B1 8/2001 Holliday et al.

D455,325 S 4/2002 Steiner
6,820,326 B1 11/2004 Tarpill et al.
6,948,234 B1 9/2005 Steiner
7,120,997 B2 10/2006 Islam et al.
7,210,327 B1 5/2007 Tarpill et al.
7,299,543 B2 11/2007 Montena
7,318,272 B1 1/2008 Steiner
7,849,589 B2 12/2010 Morrow
8,112,876 B2 2/2012 Xie et al.
8,256,102 B2 9/2012 Sutter et al.
8,464,422 B2 6/2013 Holliday et al.
8,516,696 B2 8/2013 Chawgo
8,627,562 B2 1/2014 Sutter et al.
8,656,580 B2 2/2014 Steiner et al.
8,875,387 B2 11/2014 Youtsey
9,246,294 B2 1/2016 Chawgo et al.
2011/0041326 A1 2/2011 Xie et al.

Primary Examiner — Eliza Z Bennett-Hattan

(74) *Attorney, Agent, or Firm* — Thomas W. Galvani, P.C.; Thomas W. Galvani

(57) **CLAIM**

The ornamental design for a coaxial cable compression tool, as shown and described.

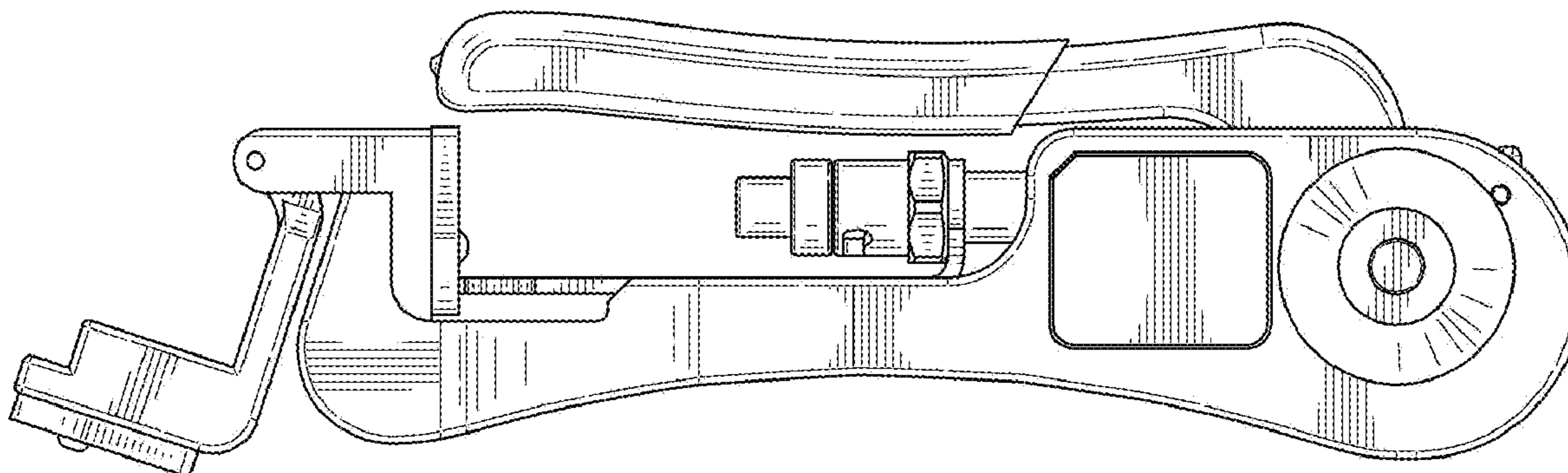
DESCRIPTION

1. Coaxial cable compression tool

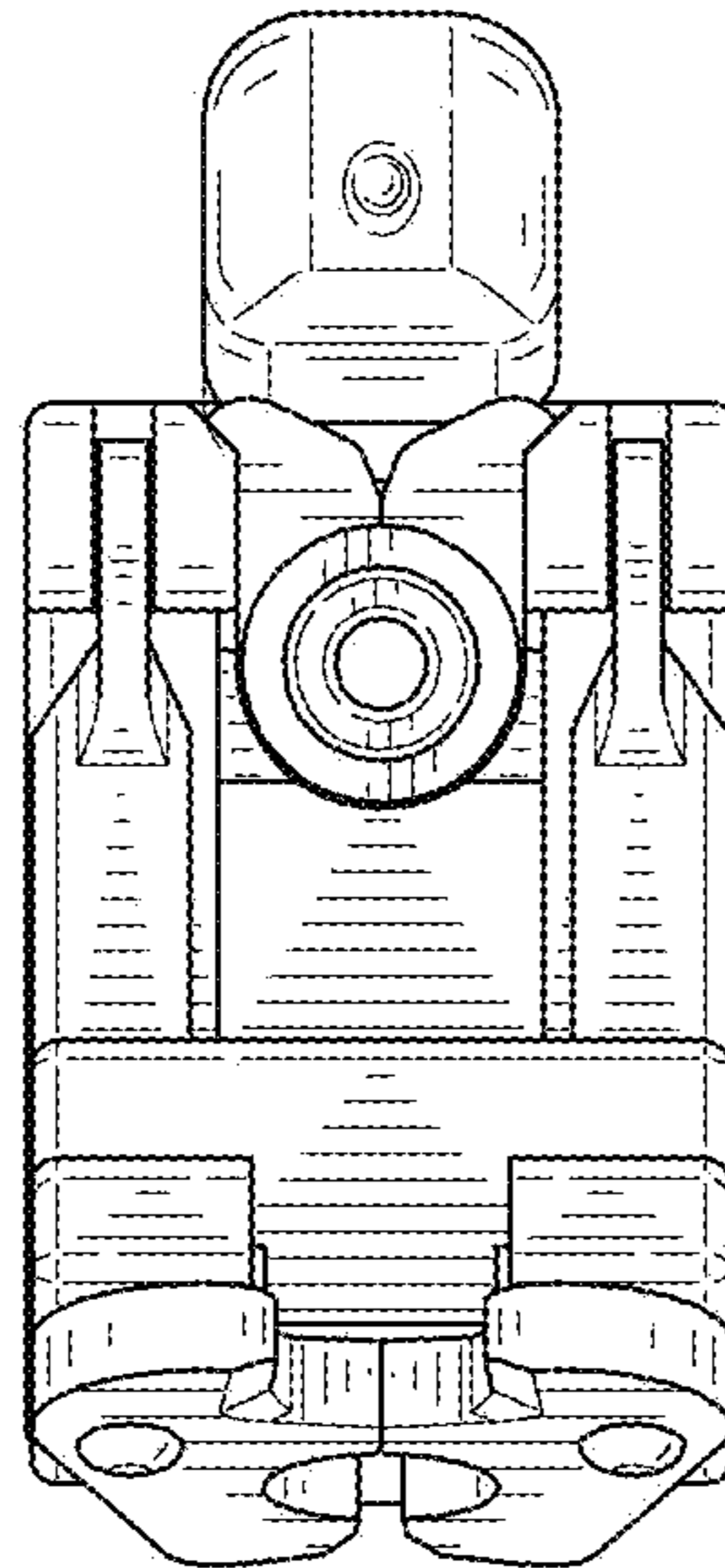
- 1.1 : Front
- 1.2 : Back
- 1.3 : Left
- 1.4 : Right
- 1.5 : Perspective
- 1.6 : Perspective
- 1.7 : Bottom
- 1.8 : Top

The features shown in broken lines form no part of the claimed design.

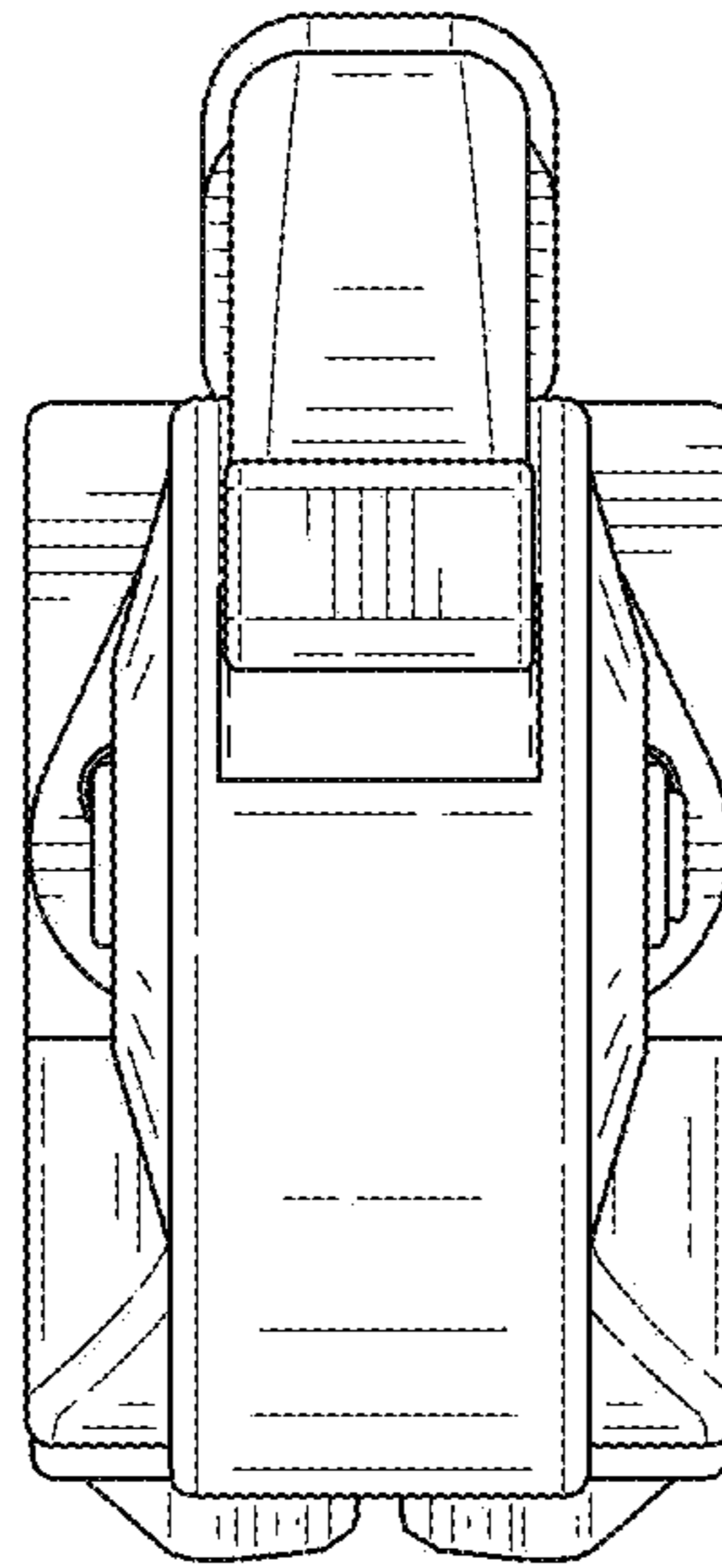
1 Claim, 8 Drawing Sheets

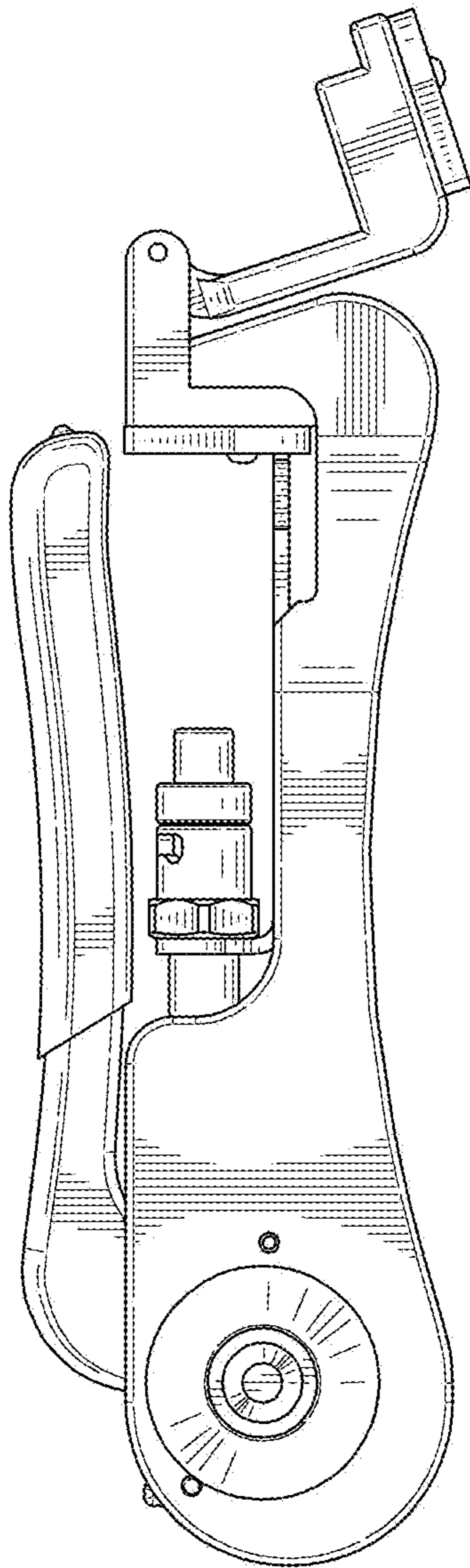


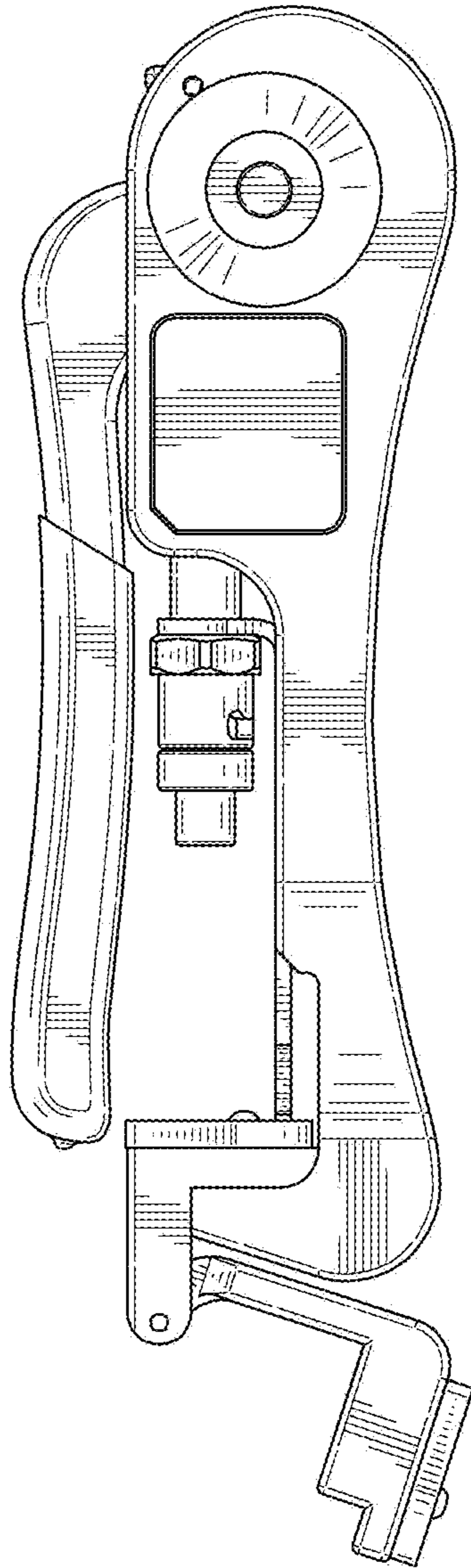
11

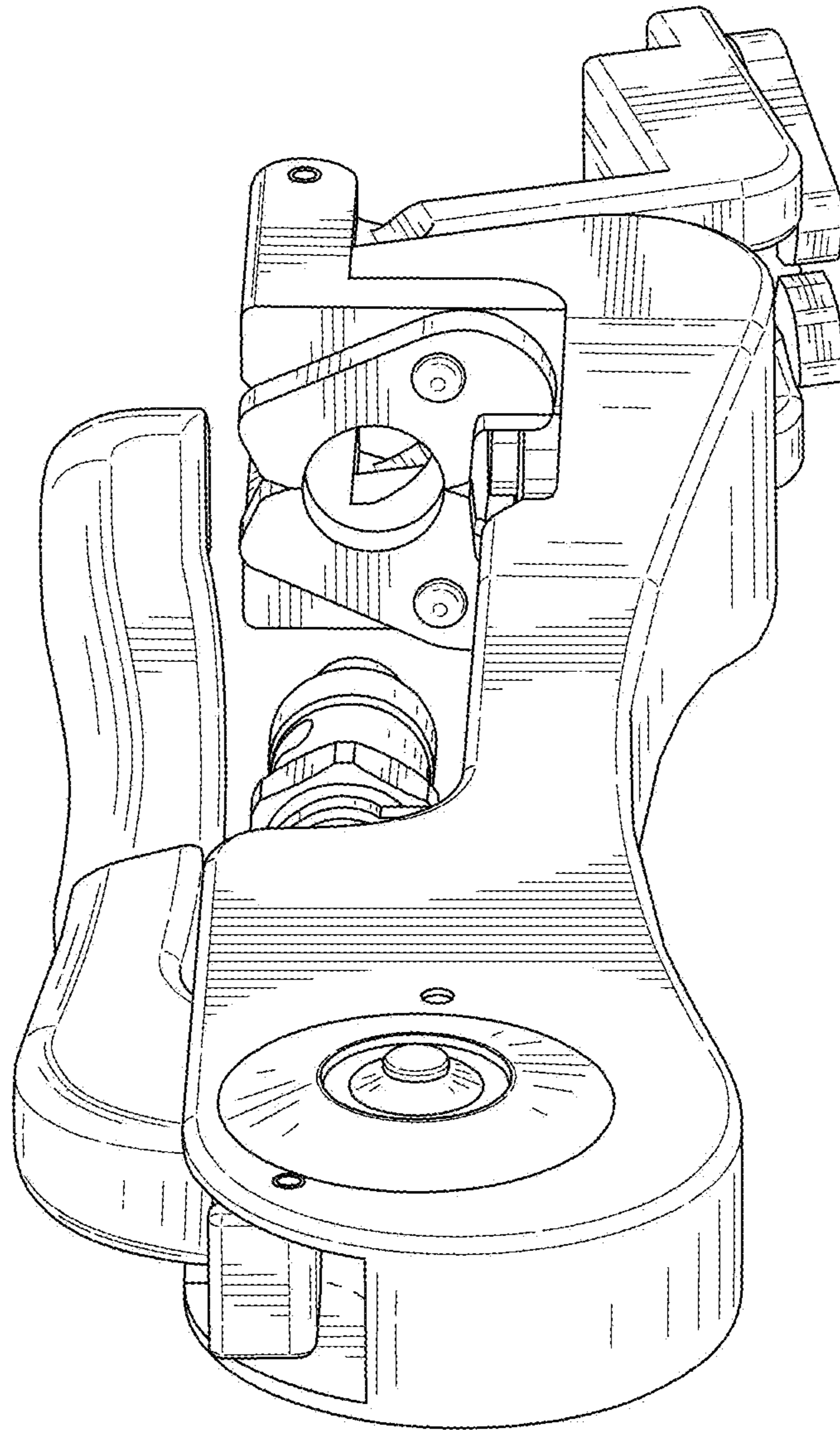


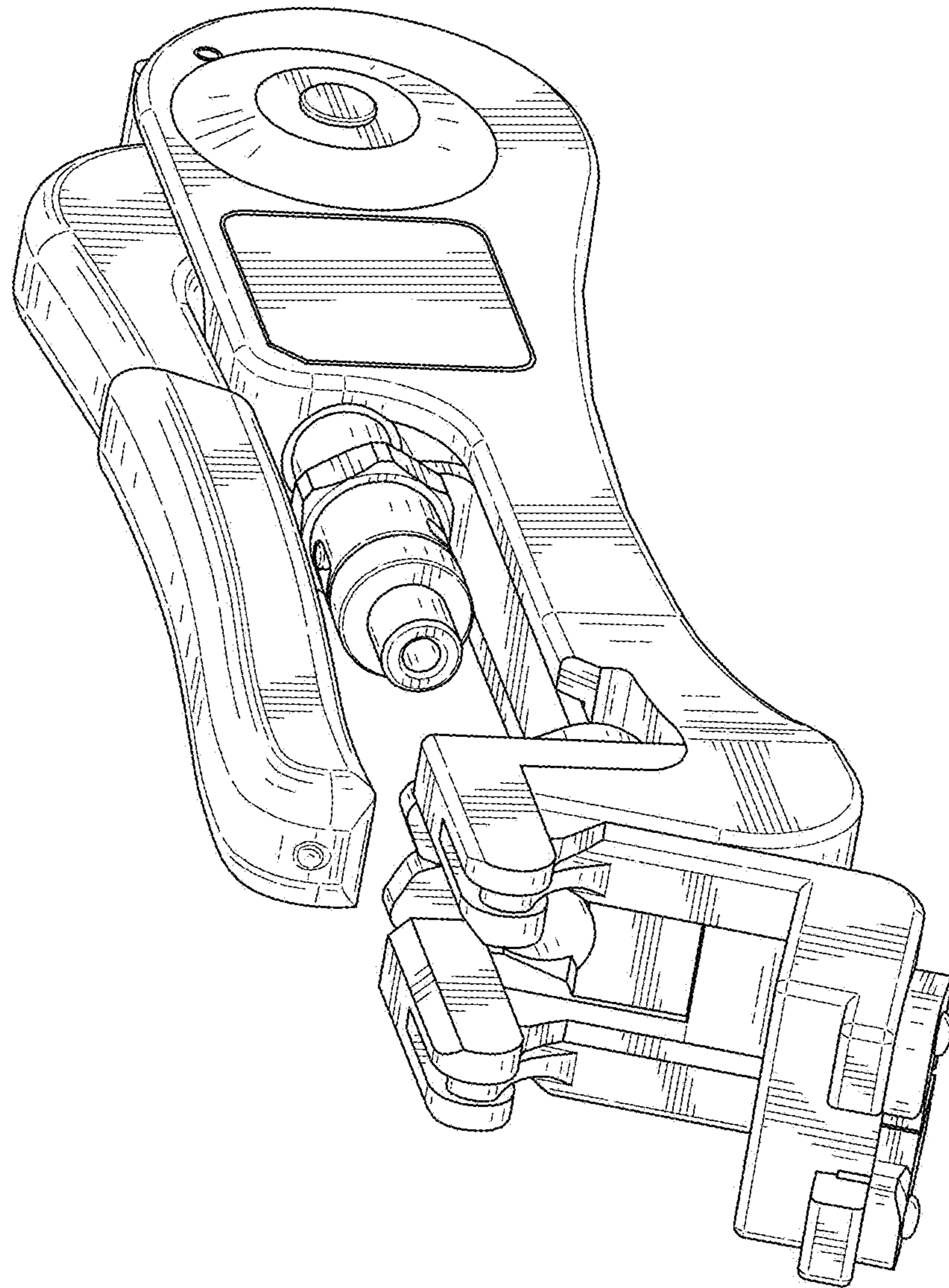
12

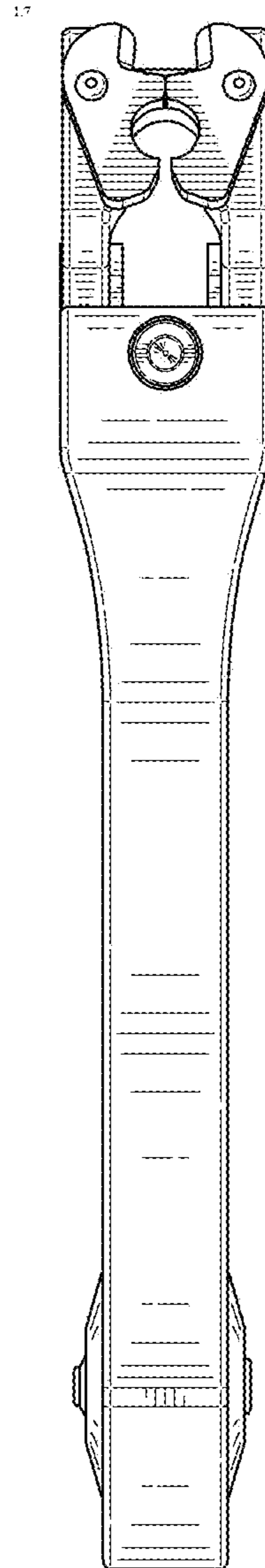












15

