

US00D843182S

(12) **United States Design Patent**
Spets

(10) **Patent No.:** **US D843,182 S**

(45) **Date of Patent:** **** Mar. 19, 2019**

(54) **WATERING DEVICE FOR PLANTS**

(71) Applicant: **Jouni Spets**, Vantaa (FI)

(72) Inventor: **Jouni Spets**, Vantaa (FI)

(**) Term: **15 Years**

(21) Appl. No.: **35/503,662**

(22) Filed: **Mar. 9, 2017**

(80) **Hague Agreement Data**

Int. Filing Date: **Mar. 9, 2017**

Int. Reg. No.: **DM/095423**

Int. Reg. Date: **Mar. 9, 2017**

Int. Reg. Pub. Date: **Sep. 15, 2017**

(51) **LOC (11) Cl.** **08-01**

(52) **U.S. Cl.**
USPC **D8/1; D23/213**

(58) **Field of Classification Search**
USPC **D8/1; D23/213, 214**
CPC **A01G 25/023; A01G 25/026; A01G 25/02;**
A01G 27/06; B05B 1/20
See application file for complete search history.

(56) **References Cited**

U.S. PATENT DOCUMENTS

D288,840 S * 3/1987 Williams D23/261
D293,811 S * 1/1988 Bennington D23/200
5,114,594 A * 5/1992 Rosebrock E04D 13/08
137/357

D344,217 S * 2/1994 Weiss D23/213
D352,345 S * 11/1994 Stieh D23/213
D434,283 S * 11/2000 Dewey D23/214
6,247,268 B1 * 6/2001 Auer A01G 31/02
47/62 A
D506,110 S * 6/2005 Slobodnik D23/214
D630,915 S * 1/2011 Buquoi D8/1
D669,752 S * 10/2012 DeMitchell D8/1
D687,925 S * 8/2013 Gill D23/213
8,656,947 B1 * 2/2014 Barton E04D 13/08
137/544
D723,884 S * 3/2015 Buquoi D8/1
D724,397 S * 3/2015 Buquoi D8/1
D726,290 S * 4/2015 Maurer D23/267

* cited by examiner

Primary Examiner — Darlington Ly

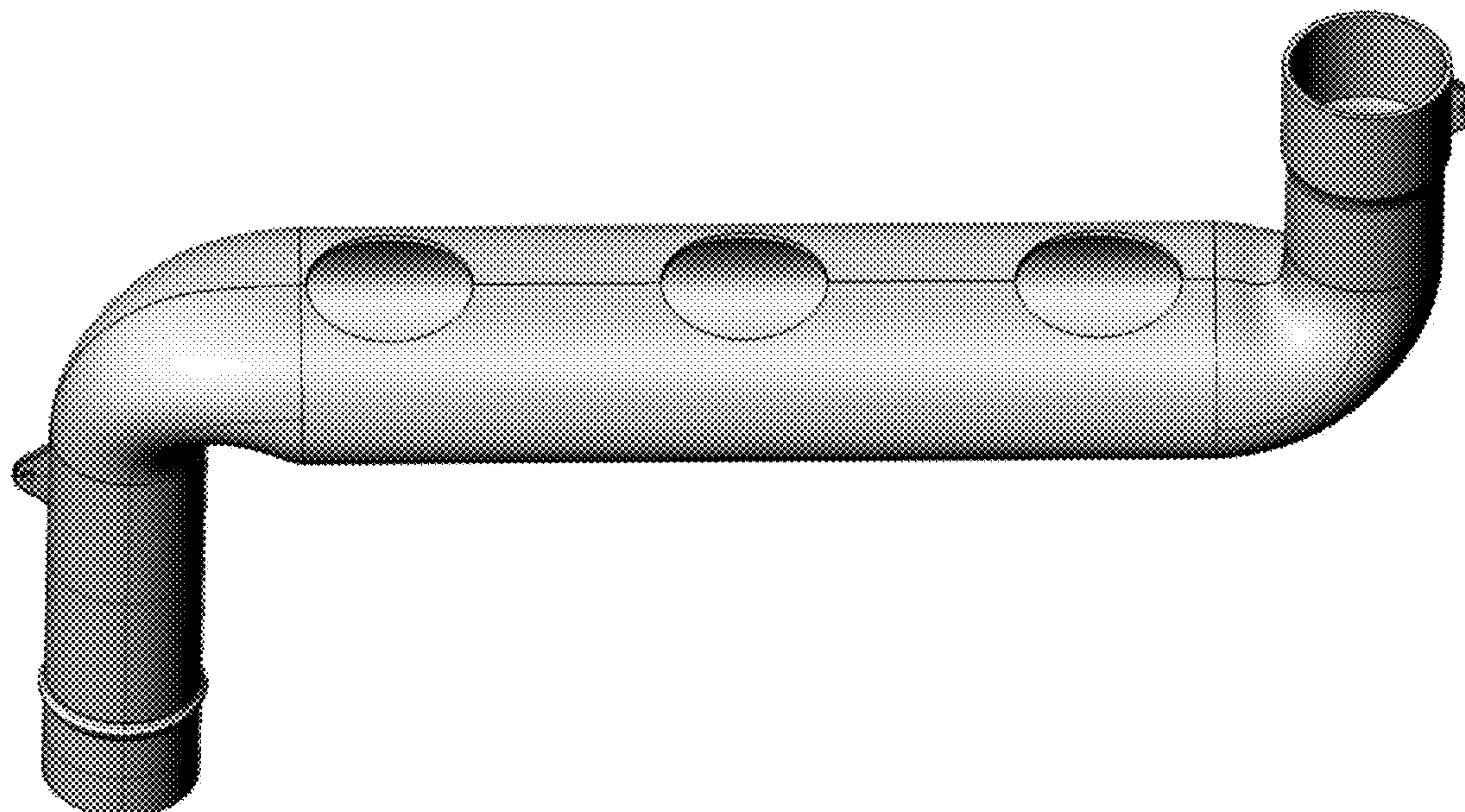
(57) **CLAIM**

The ornamental design for a watering device for plants, as shown and described.

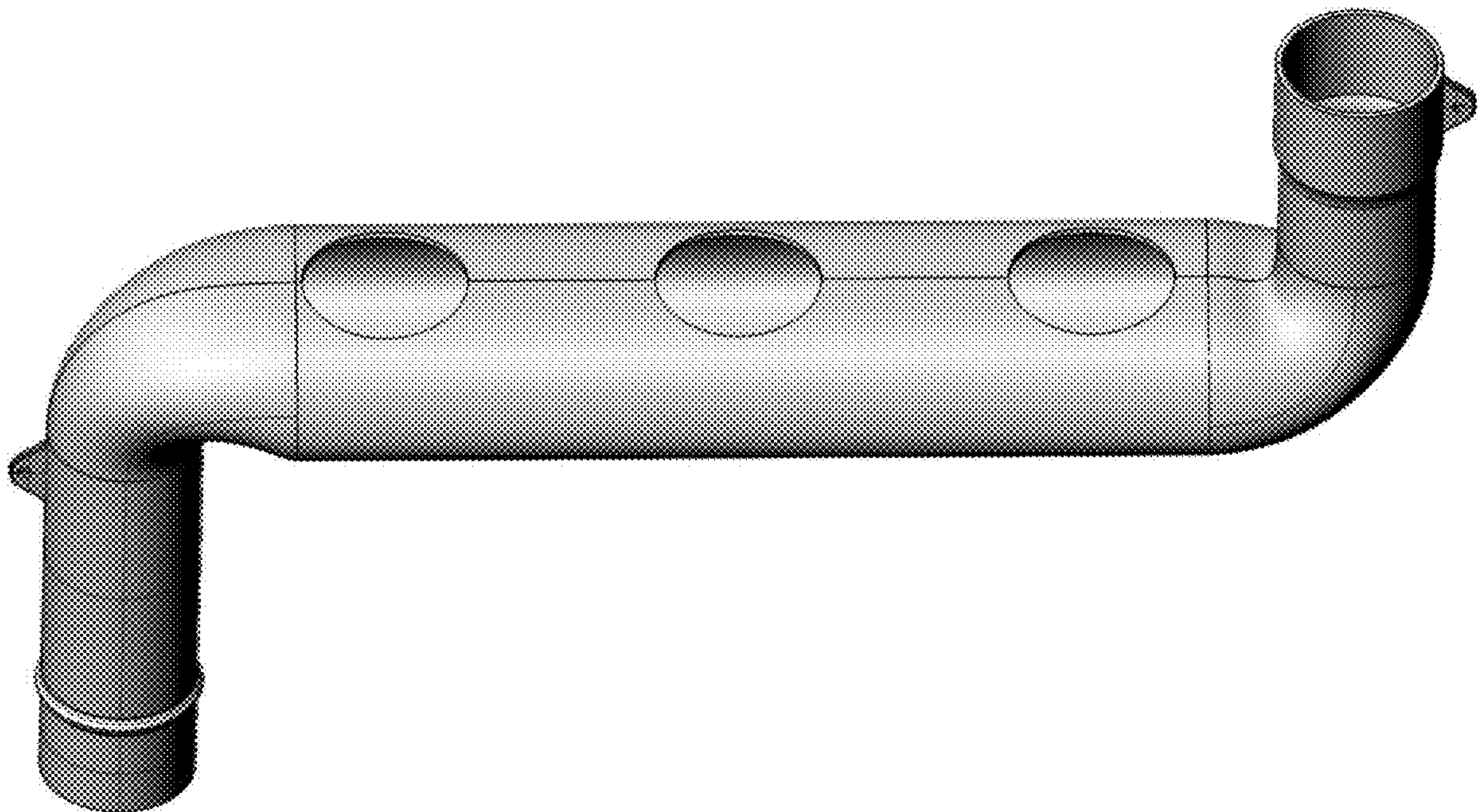
DESCRIPTION

2. Watering devices for plants
2.1 is a top and front perspective view of a watering device for plants showing my new design;
2.2 is a top plan view thereof;
2.3 is a front elevation view thereof;
2.4 is a right side elevation view thereof;
2.5 is a bottom and front perspective view thereof;
2.6 is a rear elevation view thereof;
2.7 is a left side elevation view thereof; and
2.8 is a bottom plan view thereof.

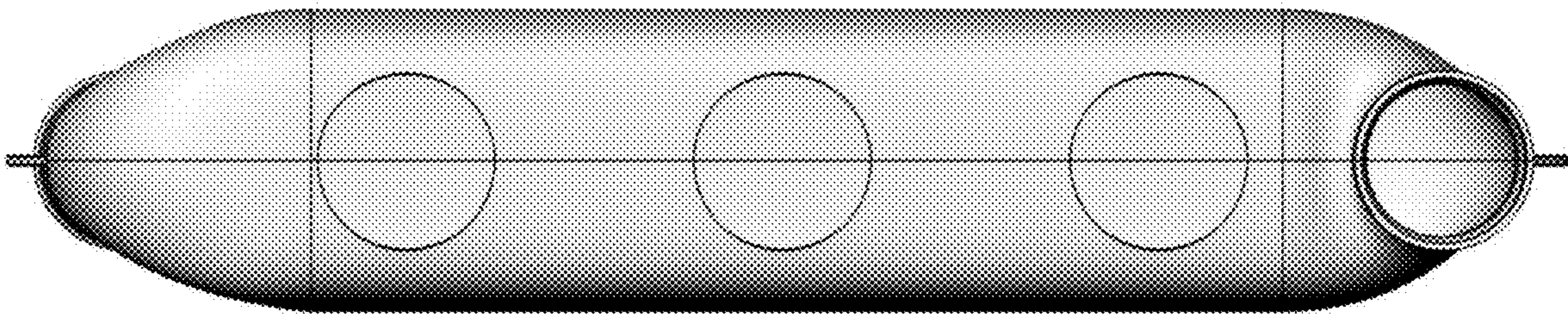
1 Claim, 8 Drawing Sheets



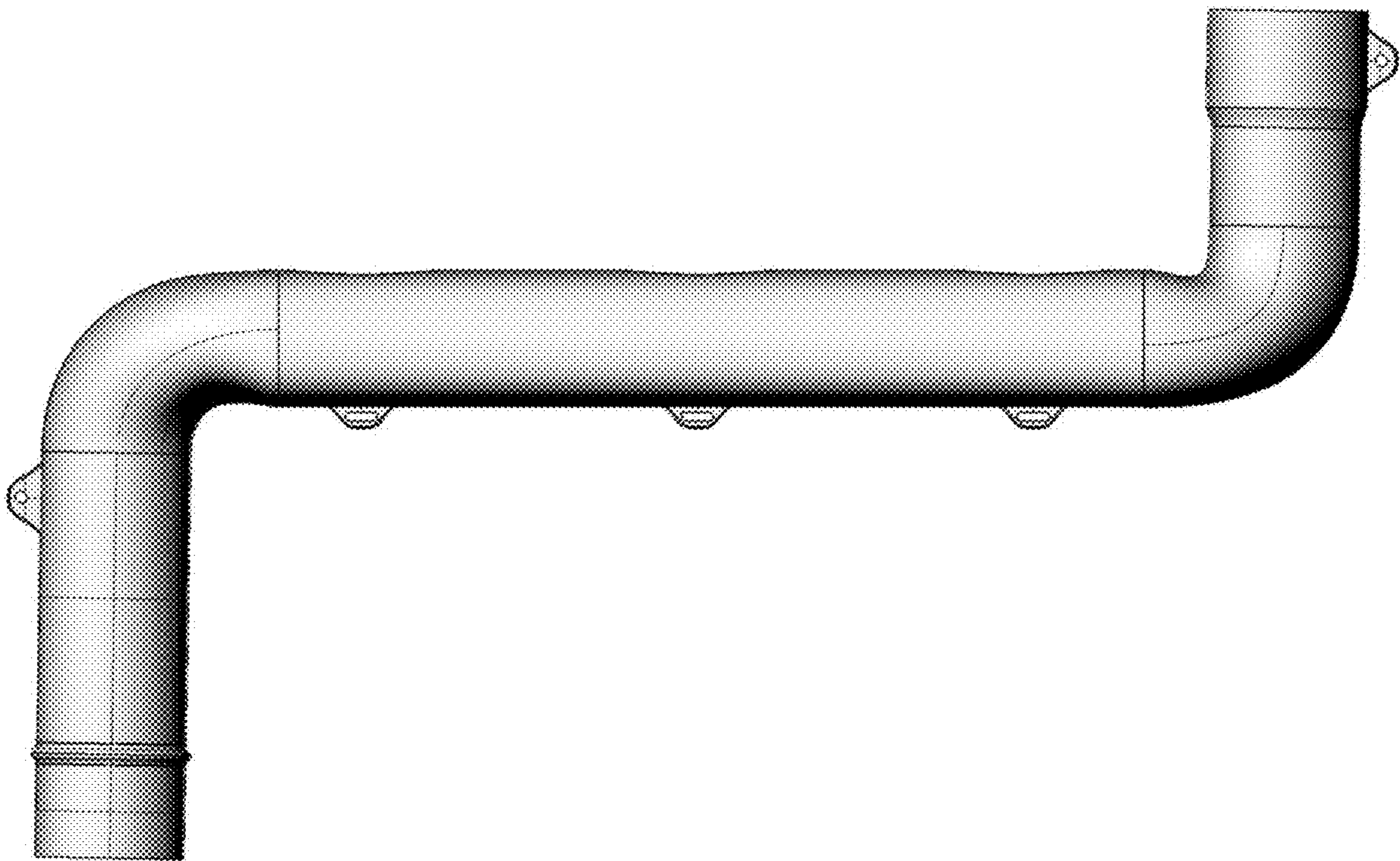
2.1



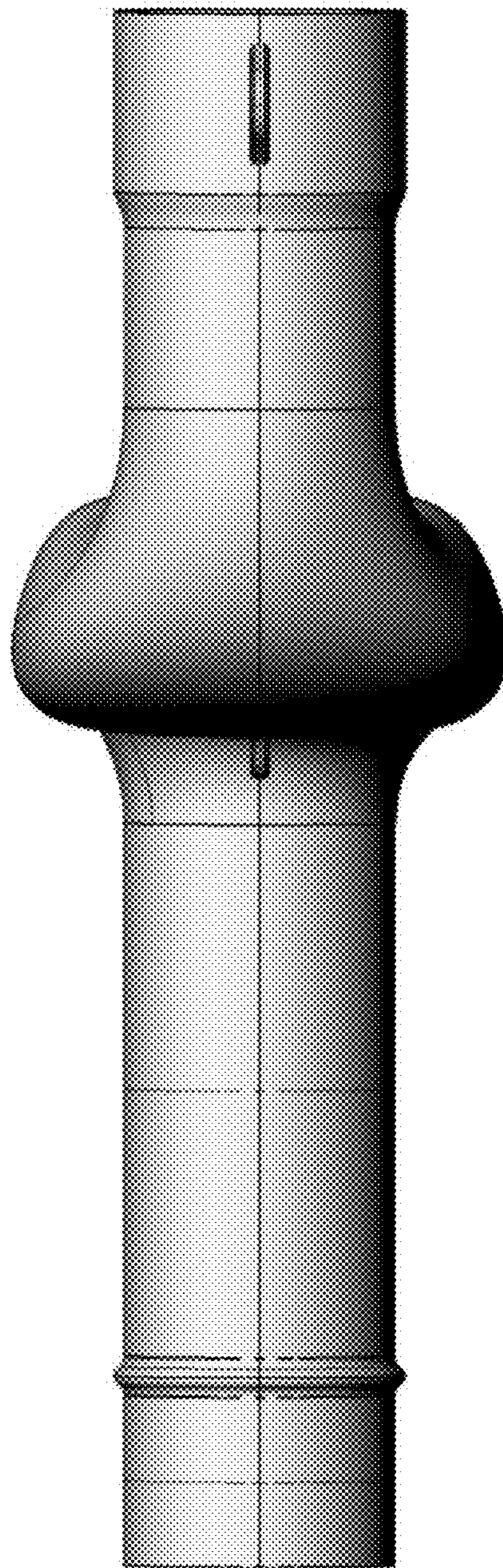
2.2



2.3



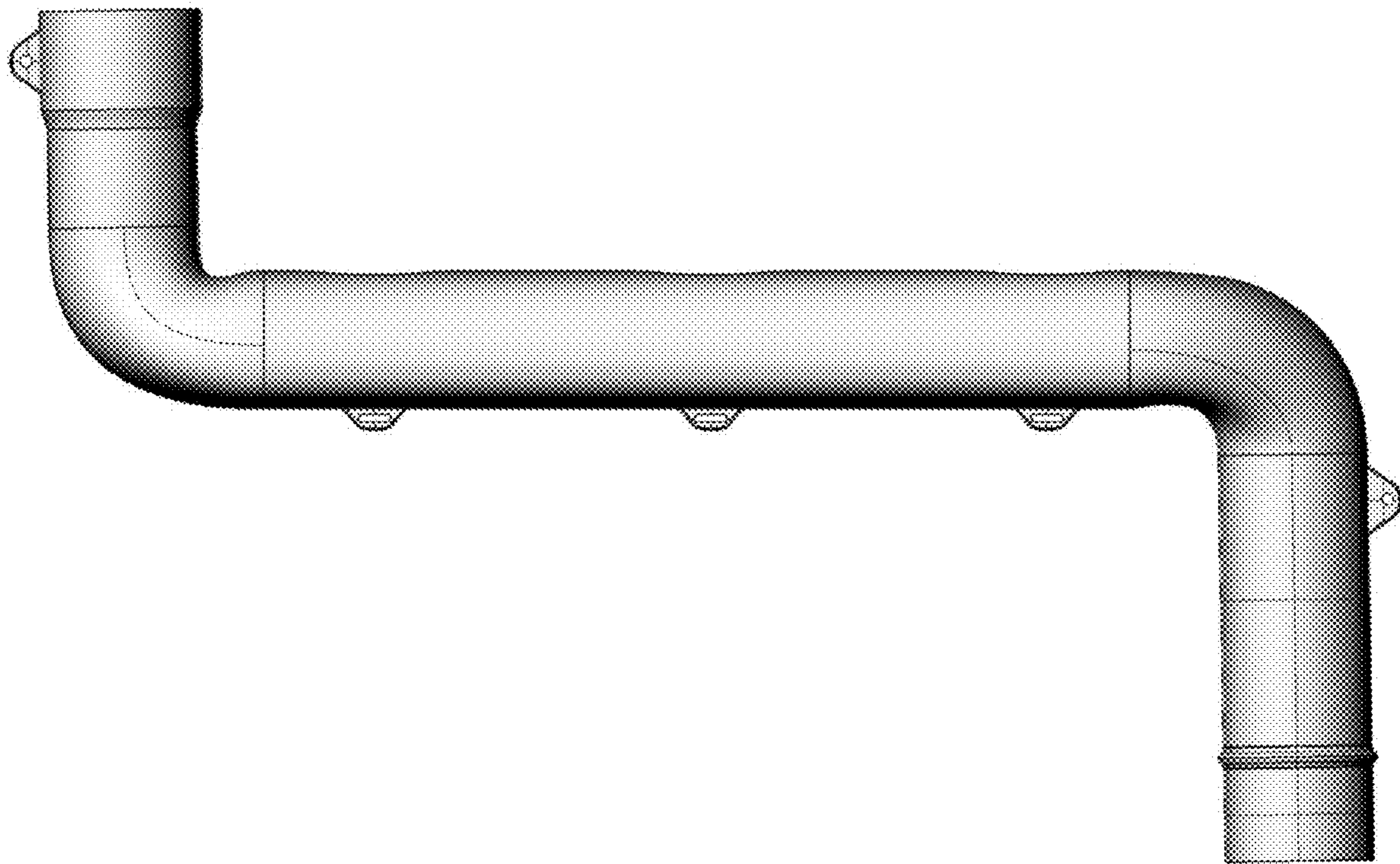
2.4



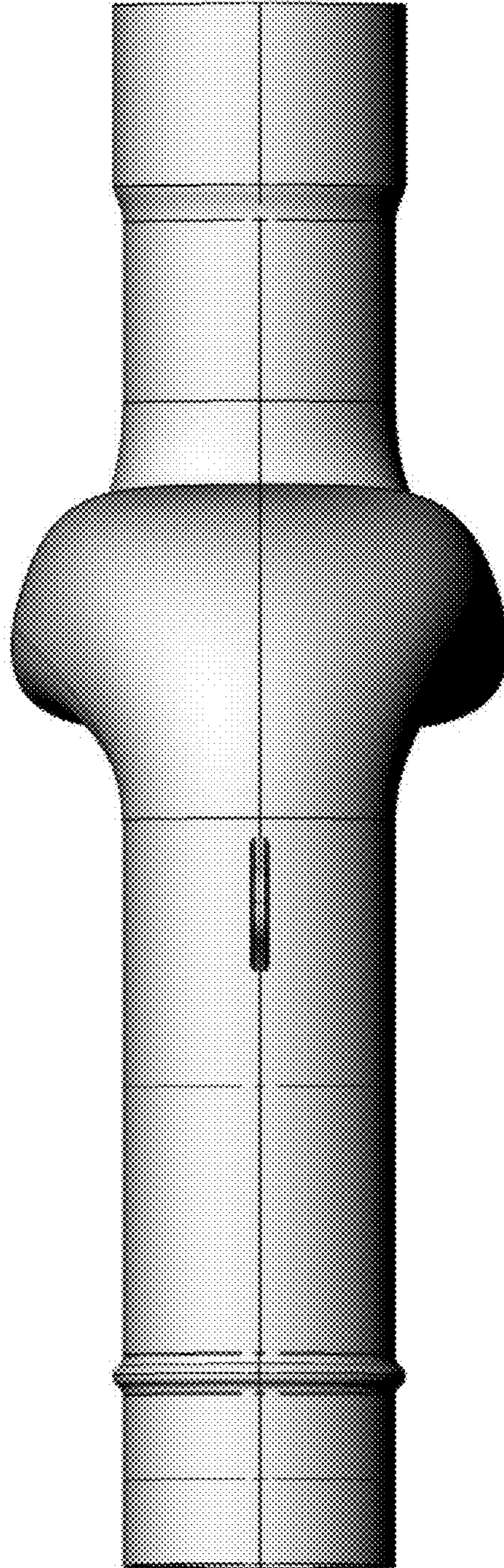
2.5



2.6



2.7



2.8

