



US00D843181S

(12) **United States Design Patent**
Yuan

(10) **Patent No.:** **US D843,181 S**

(45) **Date of Patent:** **** Mar. 19, 2019**

(54) **COOLER**

(71) Applicant: **Yibo Yuan**, Zhongshan (CN)

(72) Inventor: **Yibo Yuan**, Zhongshan (CN)

(**) Term: **15 Years**

(21) Appl. No.: **29/630,185**

(22) Filed: **Dec. 19, 2017**

(51) **LOC (11) Cl.** **07-01**

(52) **U.S. Cl.**
USPC **D7/605**

(58) **Field of Classification Search**
USPC D7/605-608, 629, 630; D3/272-274
CPC .. A45C 11/20; A45C 5/14; A45C 5/03; A45C
9/00; A45F 3/46; B65D 81/38; B65D
81/3888; B65D 81/3813; B65D 81/3816;
B65D 81/3818; B65D 81/3823; B65D
81/3858; F25D 3/02; F25D 3/04; F25D
3/06; F25D 3/08; F25D 3/11; F25D 3/14;
F25D 2331/804; F25D 31/005; F25B
19/00; A47B 77/08; A47J 41/022; A47G
19/2288

See application file for complete search history.

D415,393 S * 10/1999 Kei D7/605
D429,606 S * 8/2000 Israel D7/605
D536,580 S * 2/2007 Krieger D7/605
7,389,608 B1 * 6/2008 MacKay A01K 97/05
206/315.11
D660,589 S * 5/2012 Ayjian D3/260
9,366,467 B2 * 6/2016 Kiedaisch F25D 3/00
2013/0062356 A1 * 3/2013 Deka B65D 81/3823
220/592.25
2015/0060470 A1 * 3/2015 Seiders B65D 81/3816
292/194

* cited by examiner

Primary Examiner — Terry A Wallace
(74) *Attorney, Agent, or Firm* — W&K IP

(57) **CLAIM**

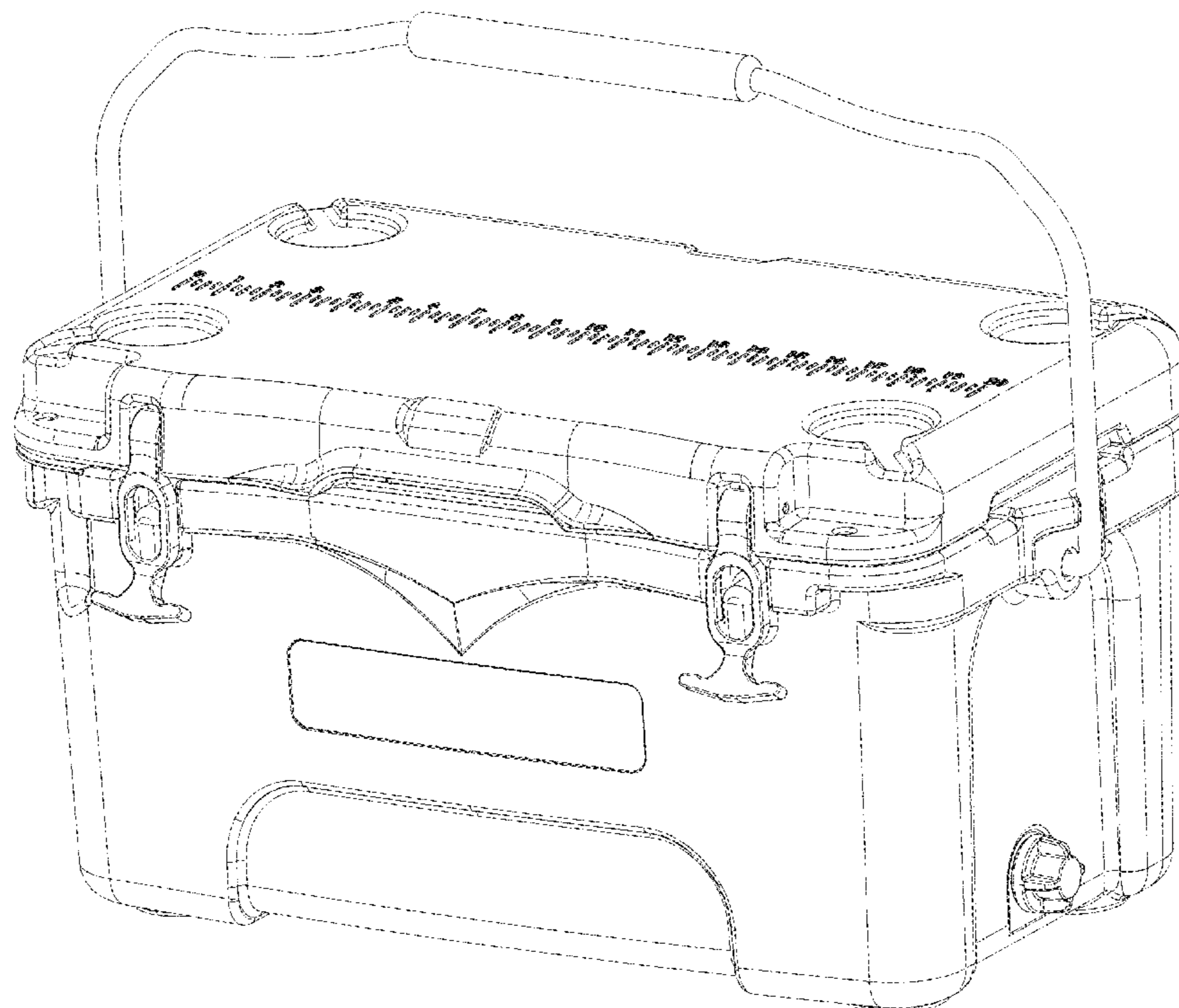
The ornamental design for a cooler, as shown and described.

DESCRIPTION

FIG. 1 is perspective view showing my design;
FIG. 2 is another perspective view showing my design;
FIG. 3 is a front view showing my design;
FIG. 4 is a back view showing my design;
FIG. 5 is a left side view showing my design;
FIG. 6 is a right side view showing my design;
FIG. 7 is a top plan view showing my design; and,
FIG. 8 is a bottom plan view showing my design.

1 Claim, 8 Drawing Sheets

(56) **References Cited**
U.S. PATENT DOCUMENTS
4,024,731 A * 5/1977 Branscum B65D 81/3823
215/385
D318,175 S * 7/1991 Venanzini D3/260



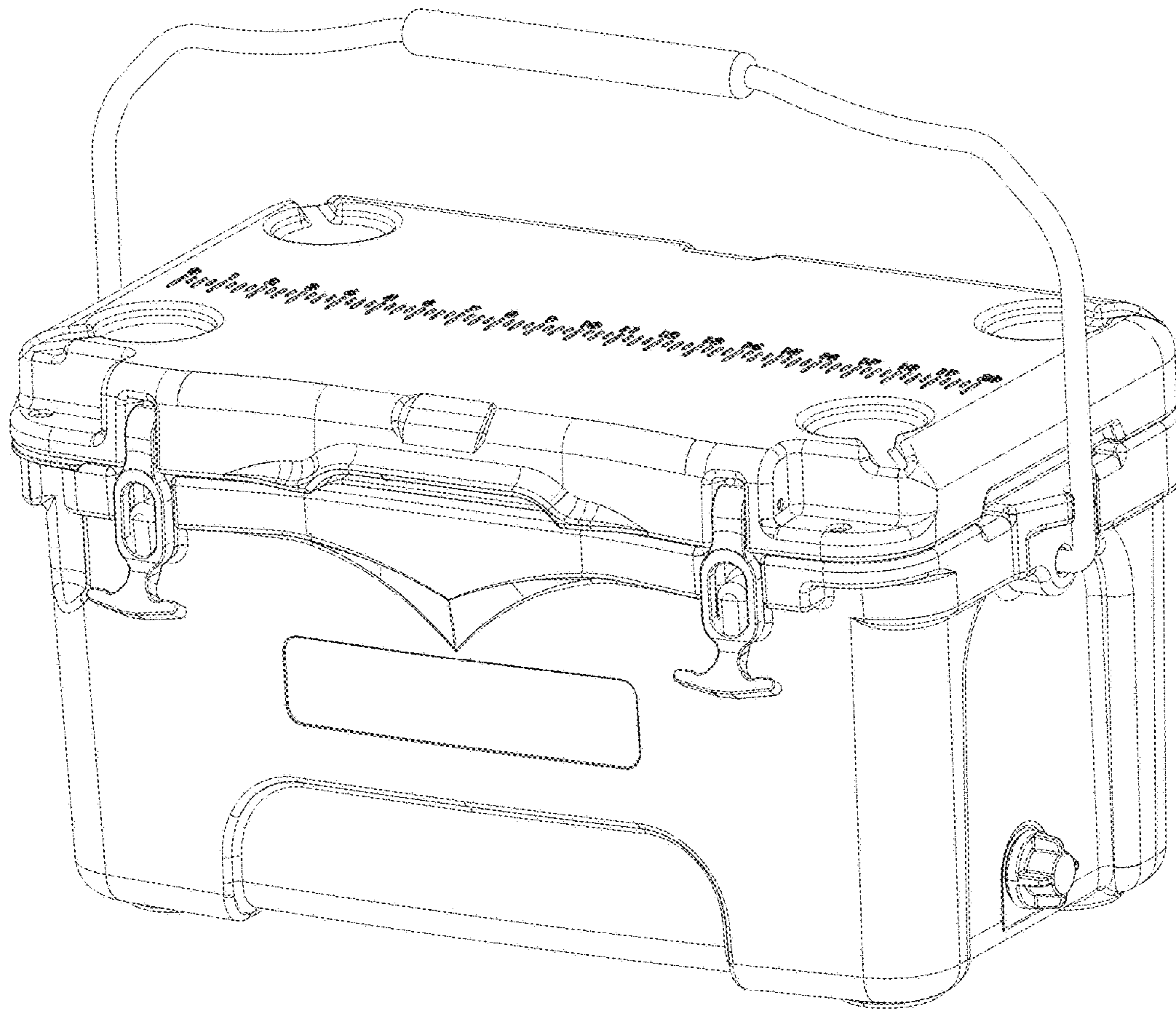


FIG. 1

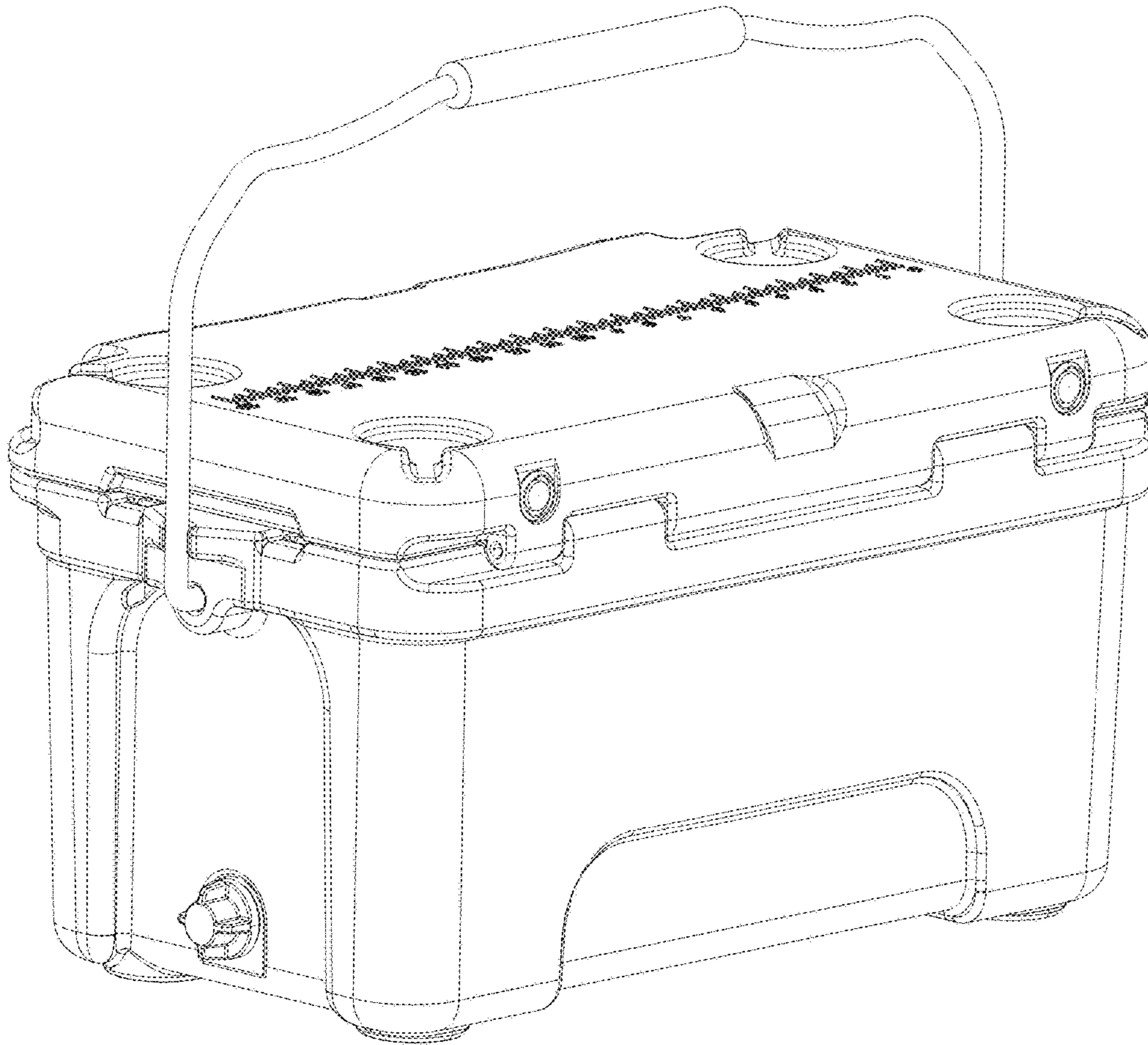


FIG.2

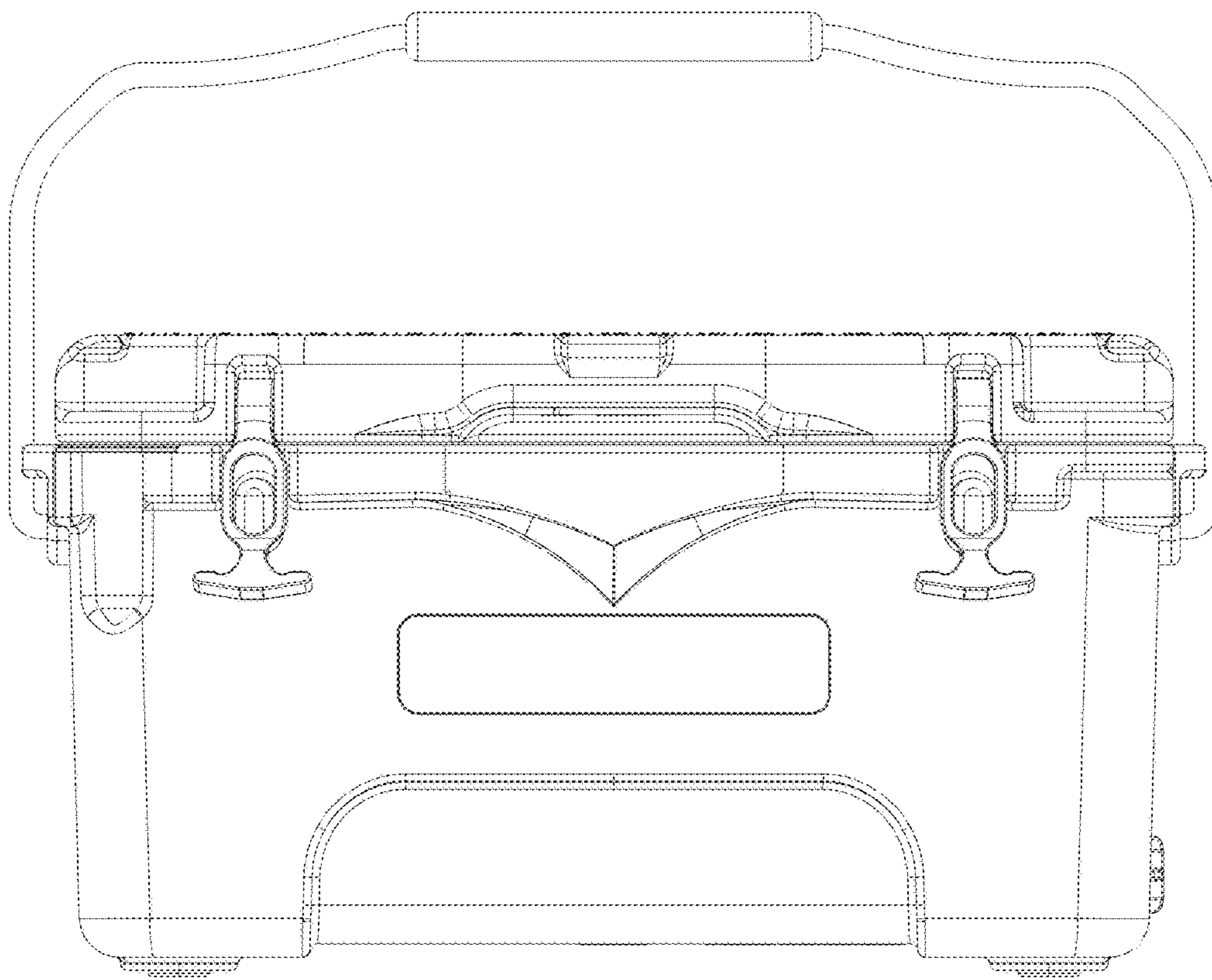


FIG. 3

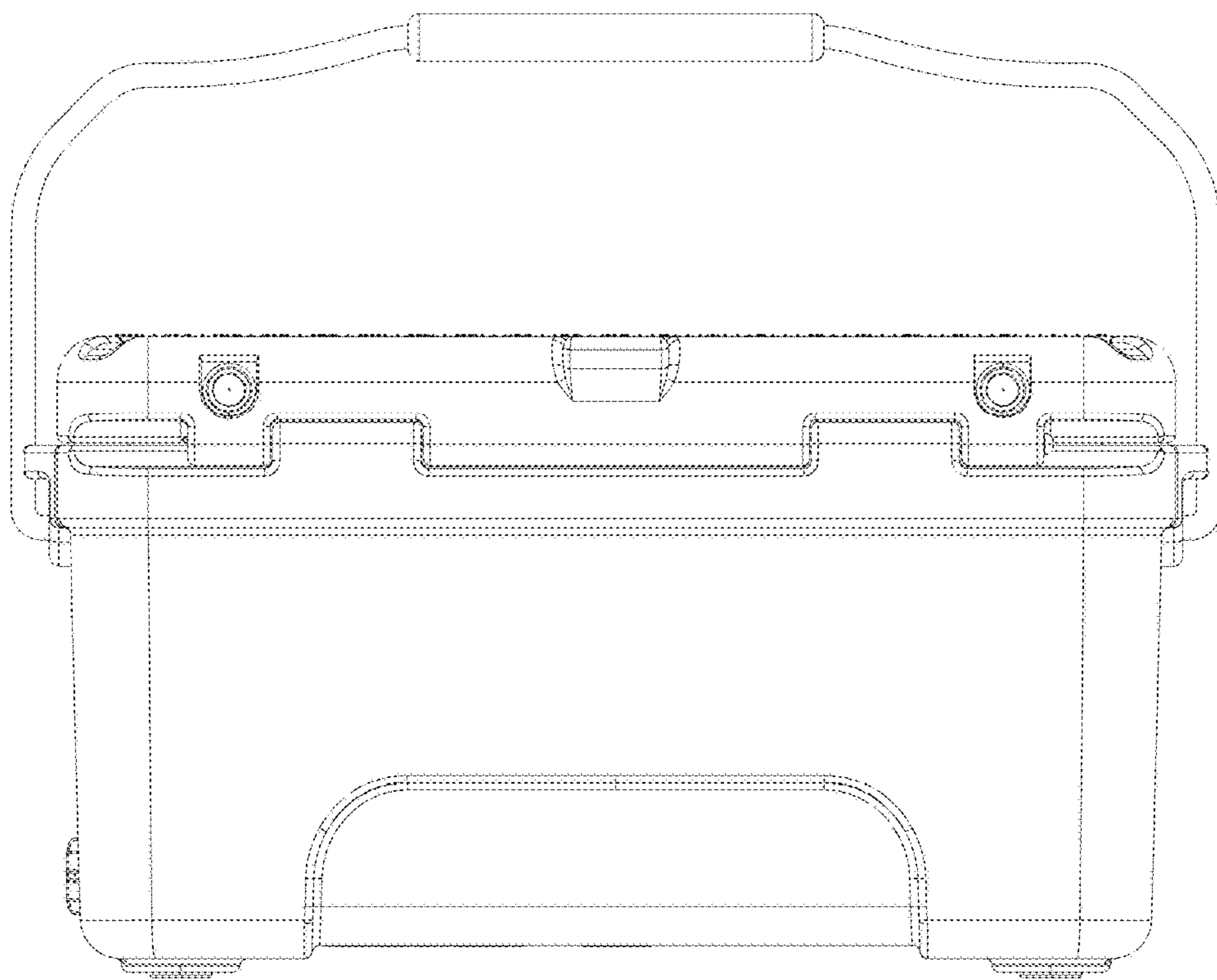


FIG.4

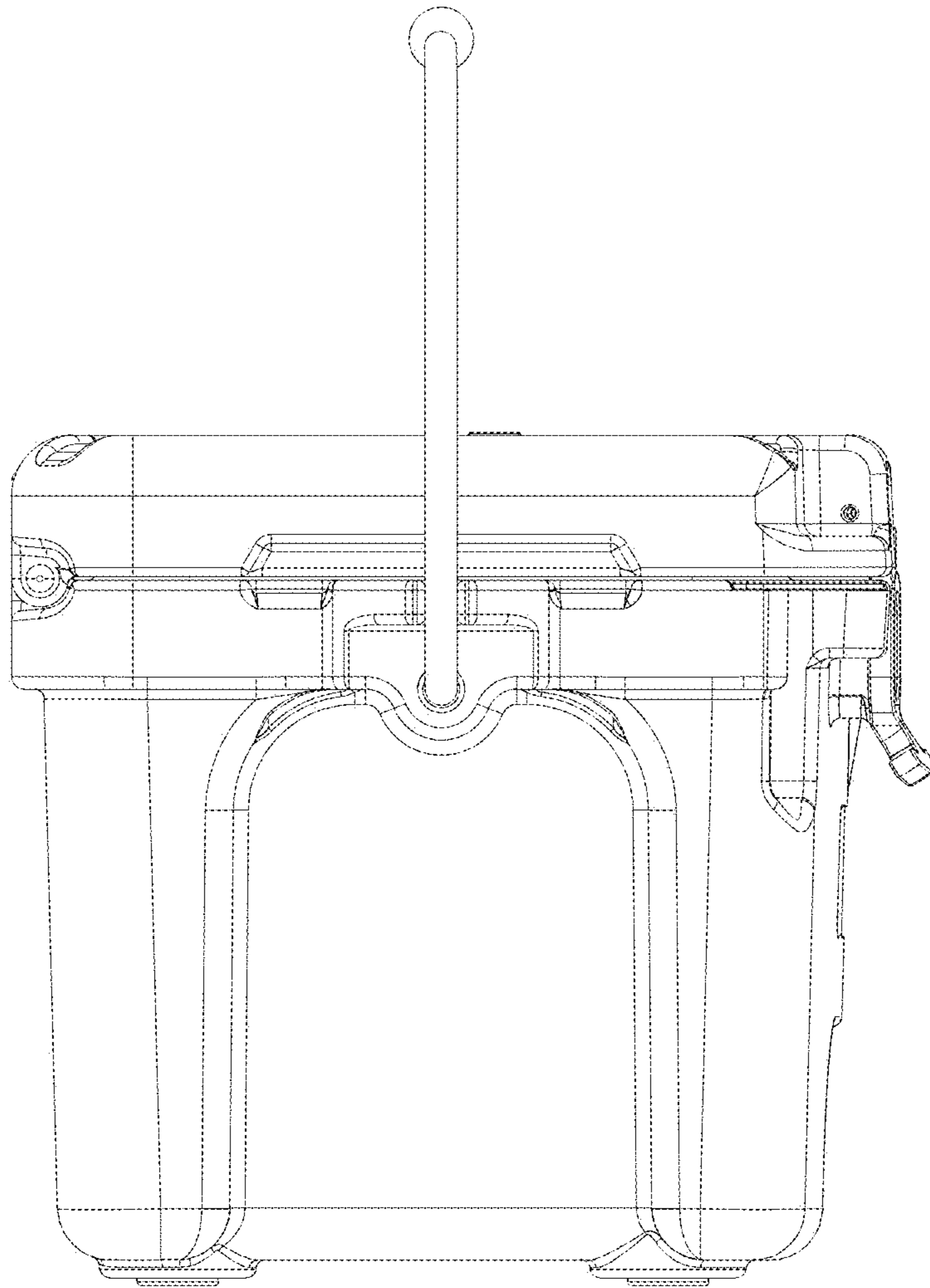


FIG. 5

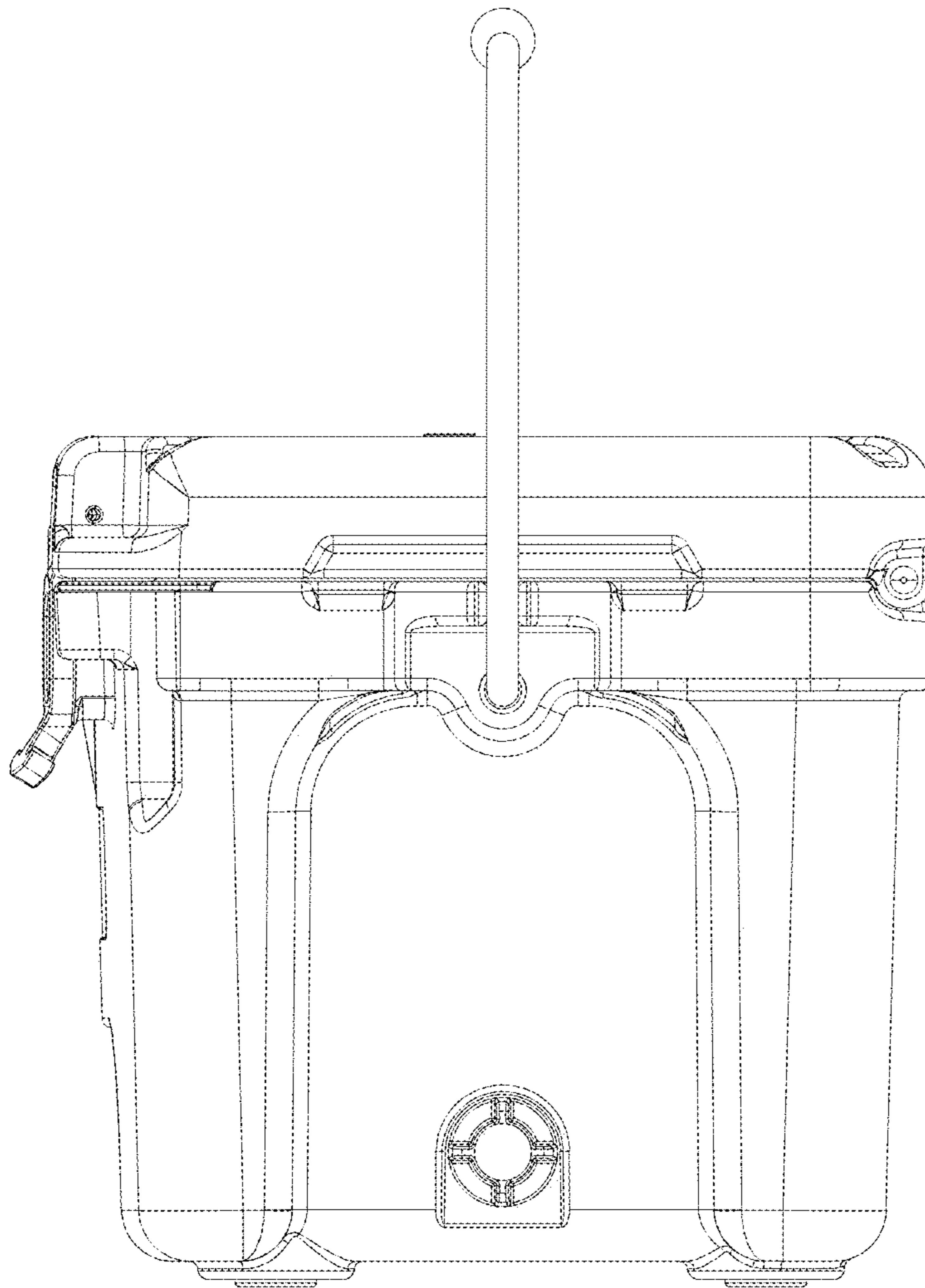


FIG. 6

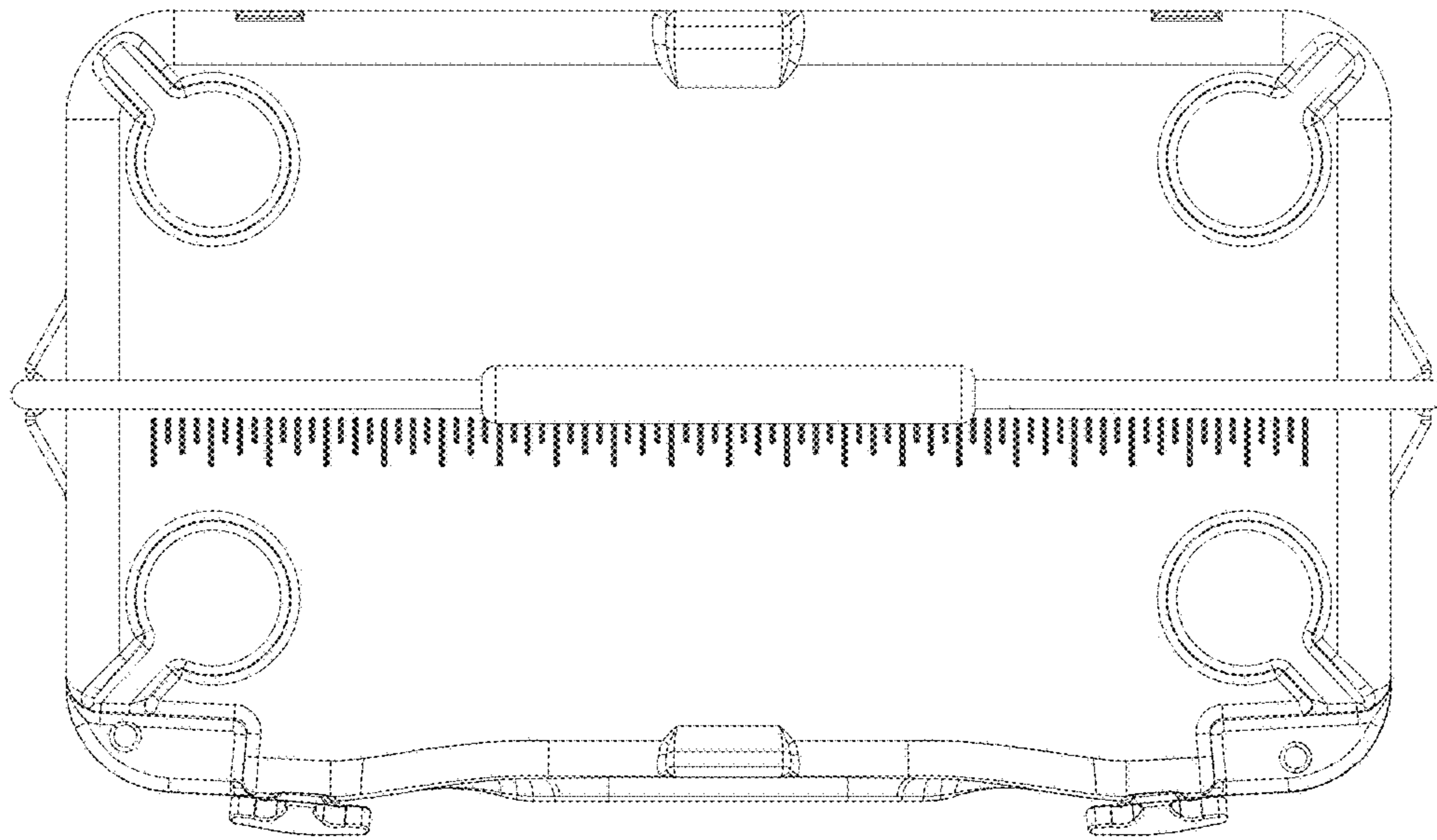


FIG.7

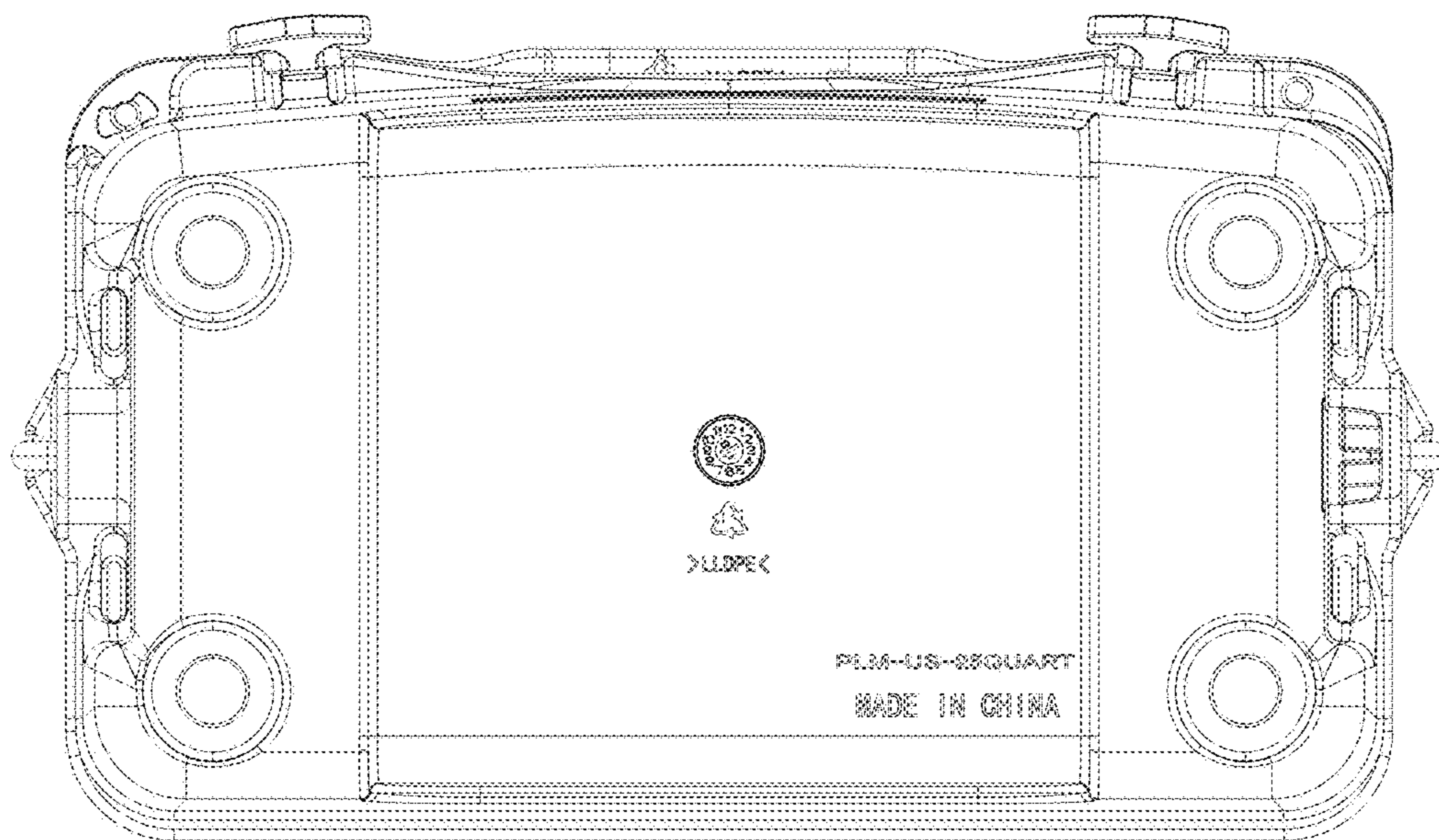


FIG. 8