



US00D843179S

(12) **United States Design Patent** (10) **Patent No.:** **US D843,179 S**
Büttler (45) **Date of Patent:** **** Mar. 19, 2019**

(54) **COOLER FOR MILK OR THE LIKE**

(71) Applicant: **JURA ELEKTROAPPARATE AG**,
Niederbuchsiten (CH)

(72) Inventor: **Ronald Büttler**, Zürich (CH)

(73) Assignee: **JURA ELEKTROAPPARATE AG**,
Niederbuchsiten (CH)

(**) Term: **15 Years**

(21) Appl. No.: **29/619,588**

(22) Filed: **Sep. 29, 2017**

(30) **Foreign Application Priority Data**

Jun. 29, 2017 (WO) DM/097545

(51) **LOC (11) Cl.** **07-01**

(52) **U.S. Cl.**
USPC **D7/605**

(58) **Field of Classification Search**
USPC D7/603-608; D15/79, 89, 90
CPC F25D 15/00; F25D 31/007; F25D 31/00;
F25D 23/12; F25D 2400/28; A45C 11/20
See application file for complete search history.

(56) **References Cited**

U.S. PATENT DOCUMENTS

4,711,099 A * 12/1987 Polan F25D 15/00
62/293
D462,878 S * 9/2002 Krieger D7/605
D463,218 S * 9/2002 Wu D7/605
D463,717 S * 10/2002 Krieger D7/605

OTHER PUBLICATIONS

Accessories—JURA Coffee Machines—Specialities: Latte Macchiato, Cappuccino, Espresso and Coffee [online] [retrieved Aug.

15, 2017]. Retrieved from the Internet: <URL: https://us.jura.com/en/homeproducts/accessories>. (undated) 2 pages.

Cool Control Basic 20 oz—JURA Coffee Machines—Specialities: Latte Macchiato, Cappuccino, Espresso and Coffee [online] [retrieved Aug. 15, 2017]. Retrieved from the Internet: <URL: https://us.jura.com/en/homeproducts/accessories/CoolControlBasic-UL-70384>. (undated) 2 pages.

Cool Control Basic 34 oz—JURA Coffee Machines—Specialities: Latte Macchiato, Cappuccino, Espresso and Coffee [online] [retrieved Aug. 15, 2017]. Retrieved from the Internet: <URL: http://us.jura.com/en/homeproducts/accessories/CoolControlBasic1I-UL-70878>. (undated) 2 pages.

Jura 67083 Cool Control Milk Cooler [online] [retrieved Aug. 15, 2017]. Retrieved from the Internet: <URL: https://www.amazon.com/Jura-67083-Cool-Control-Cooler/dp/B001EF2JRC>. (undated) 1 page.

(Continued)

Primary Examiner — Terry A Wallace

(74) *Attorney, Agent, or Firm* — Alston & Bird LLP

(57) **CLAIM**

I claim the ornamental design for a cooler for milk or the like, as shown and described.

DESCRIPTION

FIG. 1 is a perspective view of a cooler for milk or the like showing my new design;

FIG. 2 is another perspective view thereof;

FIG. 3 is a front elevation view thereof;

FIG. 4 is a rear elevation view thereof;

FIG. 5 is a left side elevation view thereof;

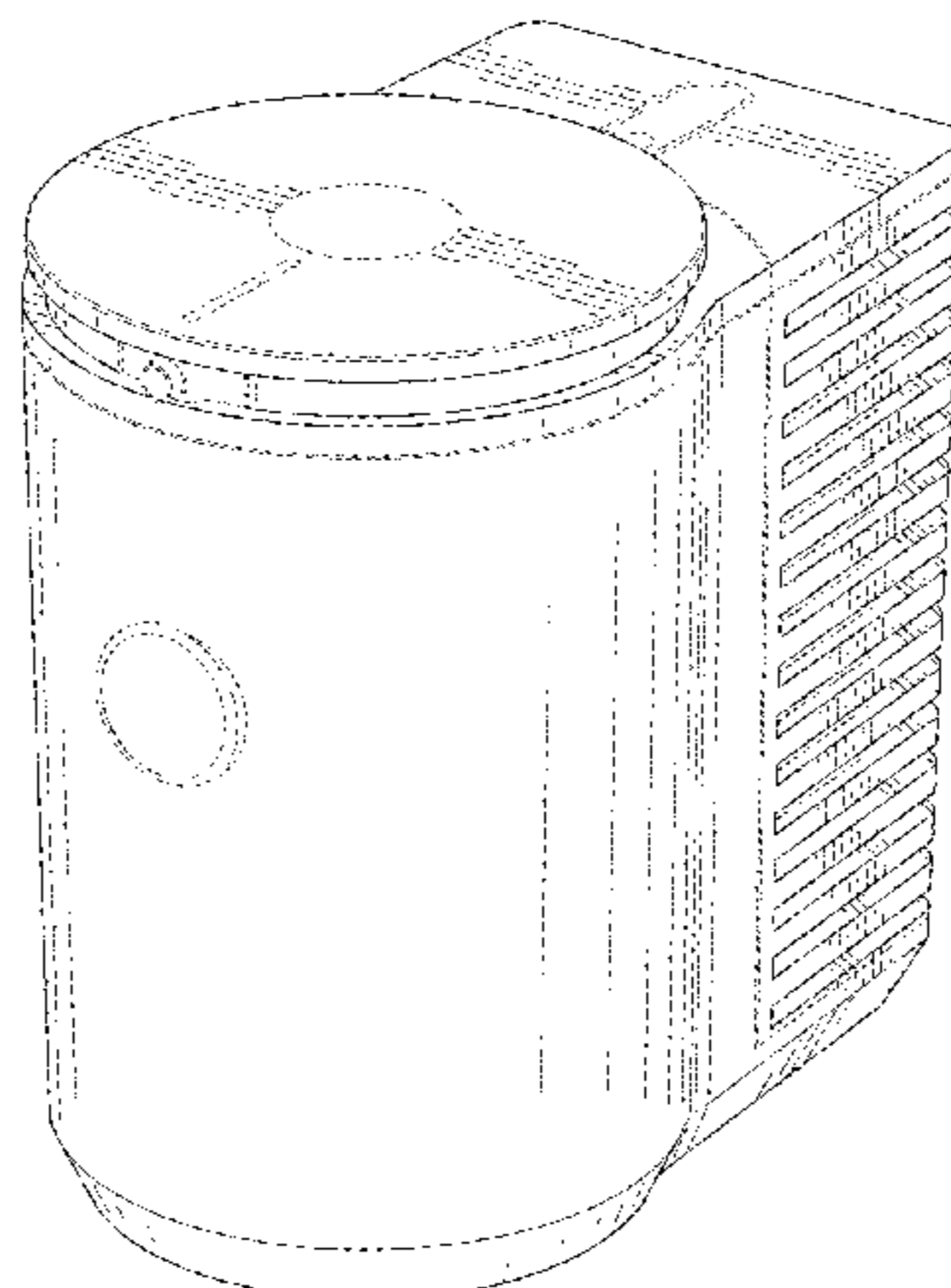
FIG. 6 is a right side elevation view thereof;

FIG. 7 is a top plan view thereof; and,

FIG. 8 is a bottom plan view thereof.

The broken lines are directed to unclaimed features and form no part of the claimed design.

1 Claim, 8 Drawing Sheets



(56)

References Cited

OTHER PUBLICATIONS

Jura 67083 Cool Control Milk Cooler [online] [retrieved Aug. 15, 2017]. Retrieved from the Internet: <URL: <https://www.amazon.com/Jura-67083-Cool-Control-Cooler/dp/B001EF2JRC>>. (undated) 1 page.

Untitled (cool_control_34_oz.jpg) [online] [retrieved Aug. 15, 2017]. Retrieved from the Internet: <URL: https://www.seattlecoffeegear.com/media/catalog/product/cache/1/image/650x/040ec09b1e35df139433887a97daa66f/c/o/cool_control_34_oz.jpg>. (undated) 1 page.

Untitled (img54o.jpg) [online] [retrieved Aug. 15, 2017]. Retrieved from the Internet: <URL: <https://www.williams-sonoma.com/wsimgs/ab/images/dp/wcm/201729/0128/img54o.jpg>>. (undated) 1 page.

Untitled (jura-cool-control-xs90.jpg) [online] [retrieved Aug. 15, 2017]. Retrieved from the Internet: <URL: http://www.coffeemachinewarehouse.co.uk/731-thickbox_default/jura-cool-control-xs90.jpg>. (undated) 1 page.

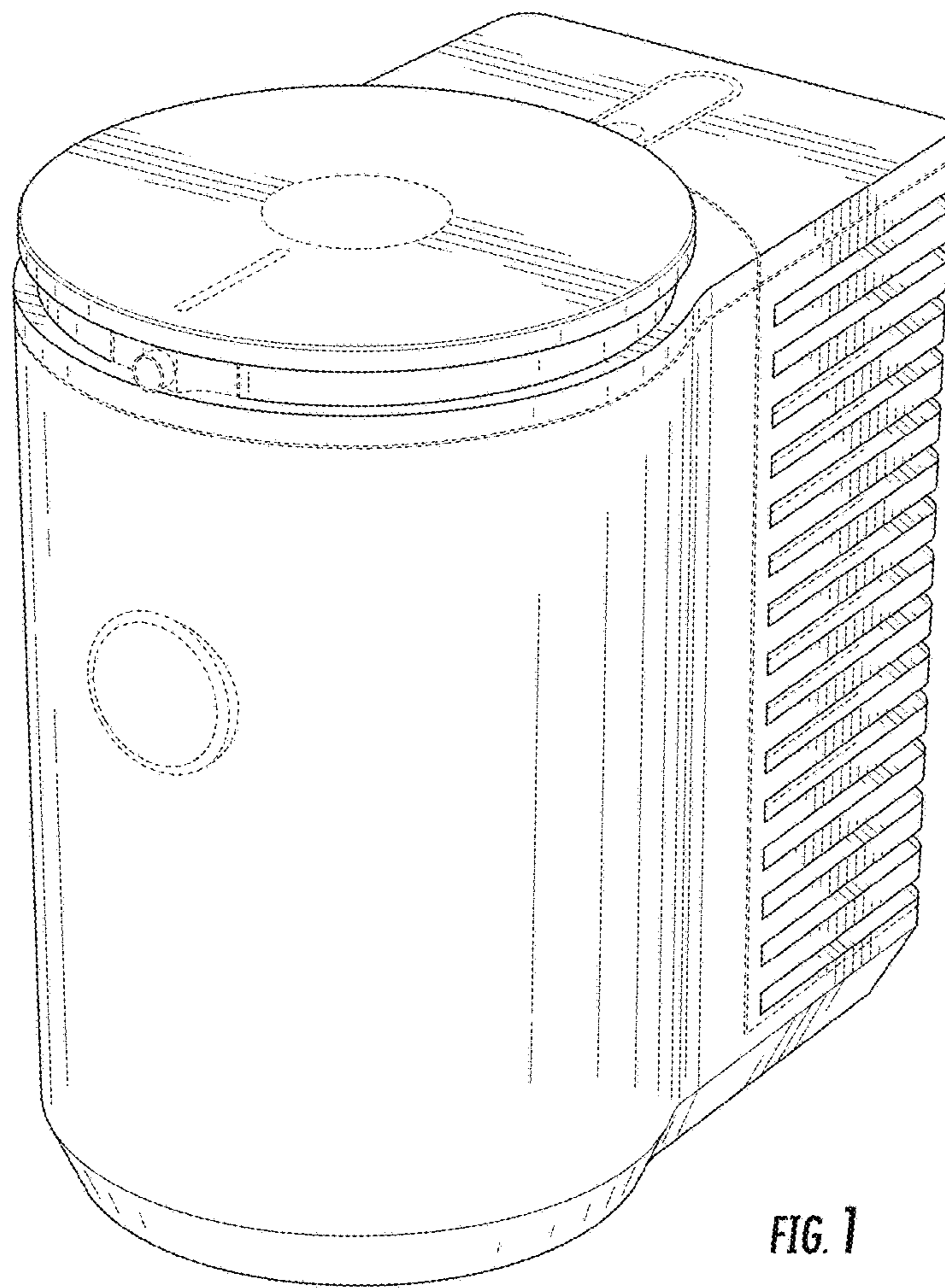
Milk Cooler Piccolo [online] [retrieved Aug. 15, 2017]. Retrieved from the Internet: <URL: <https://www.jura.com/en/professional/accessories/MilkCoolerPiccolo-CH-64073>>. (undated) 1 page.

Untitled (cs-cool-control_2.jpg) [online] [retrieved Aug. 15, 2017]. Retrieved from the Internet: <URL: https://www.caffesociety.co.uk/media/catalog/product/cache/1/image/9df78eab3525d08d6e5fb8d27136e95/c/s/cs-cool-control_2.jpg>. (undated) 1 page.

Jura Cool Control Basic [online] [retrieved Aug. 15, 2017]. Retrieved from the Internet: <URL: [https://www.amazon.com/70878-Control-Compact-Espresso-34-Ounce/dp/B00E3E3GDC/ref=sr_1_1?ie=UTF8&qid=1502802529&sr=8-1&keywords=c . . .](https://www.amazon.com/70878-Control-Compact-Espresso-34-Ounce/dp/B00E3E3GDC/ref=sr_1_1?ie=UTF8&qid=1502802529&sr=8-1&keywords=c...)>. (undated) 1 page.

CS Cool Control Milk Cooler (Brochure) Caffe Society (undated) 2 pages.

* cited by examiner



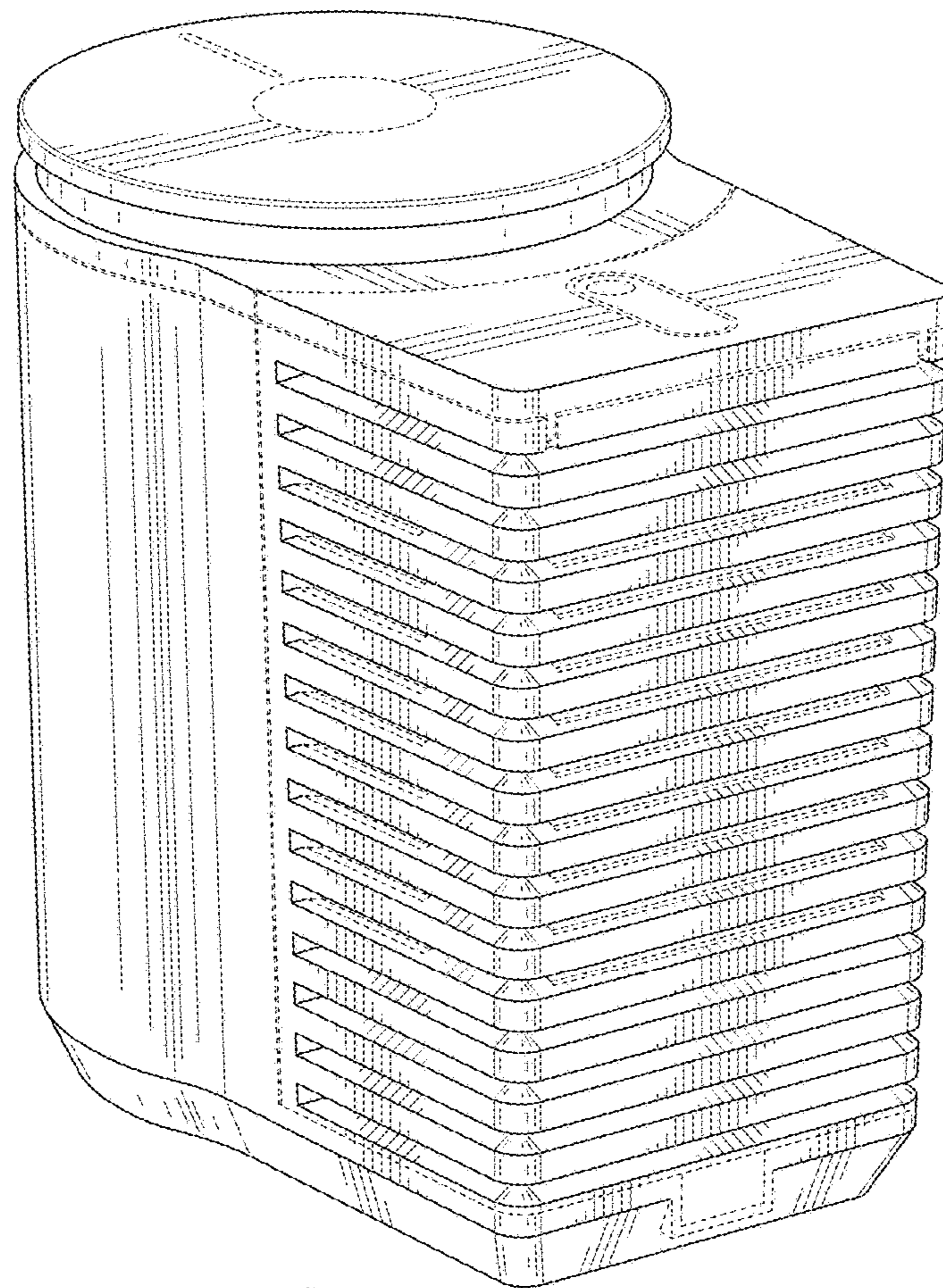


FIG. 2

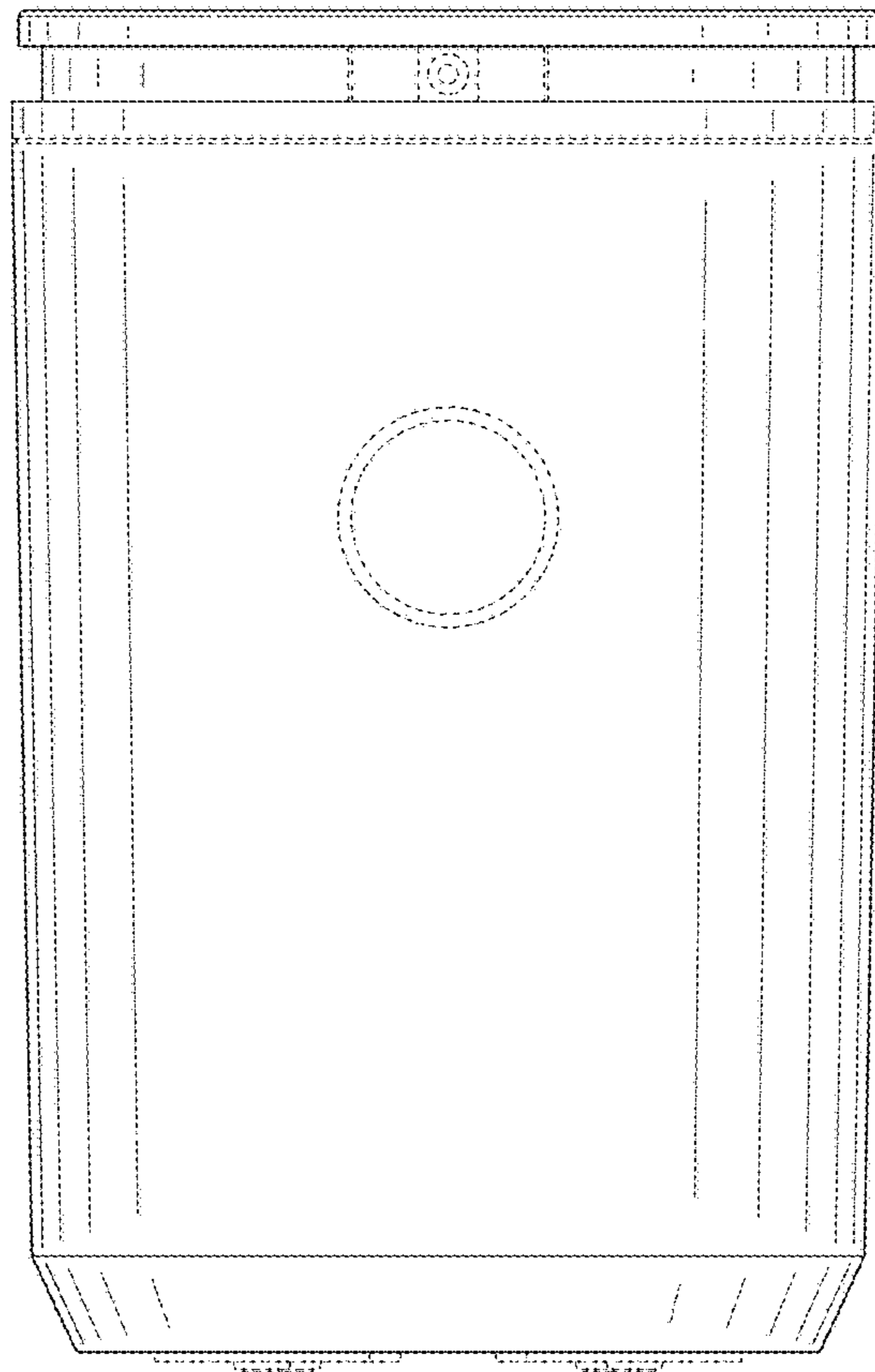


FIG. 3

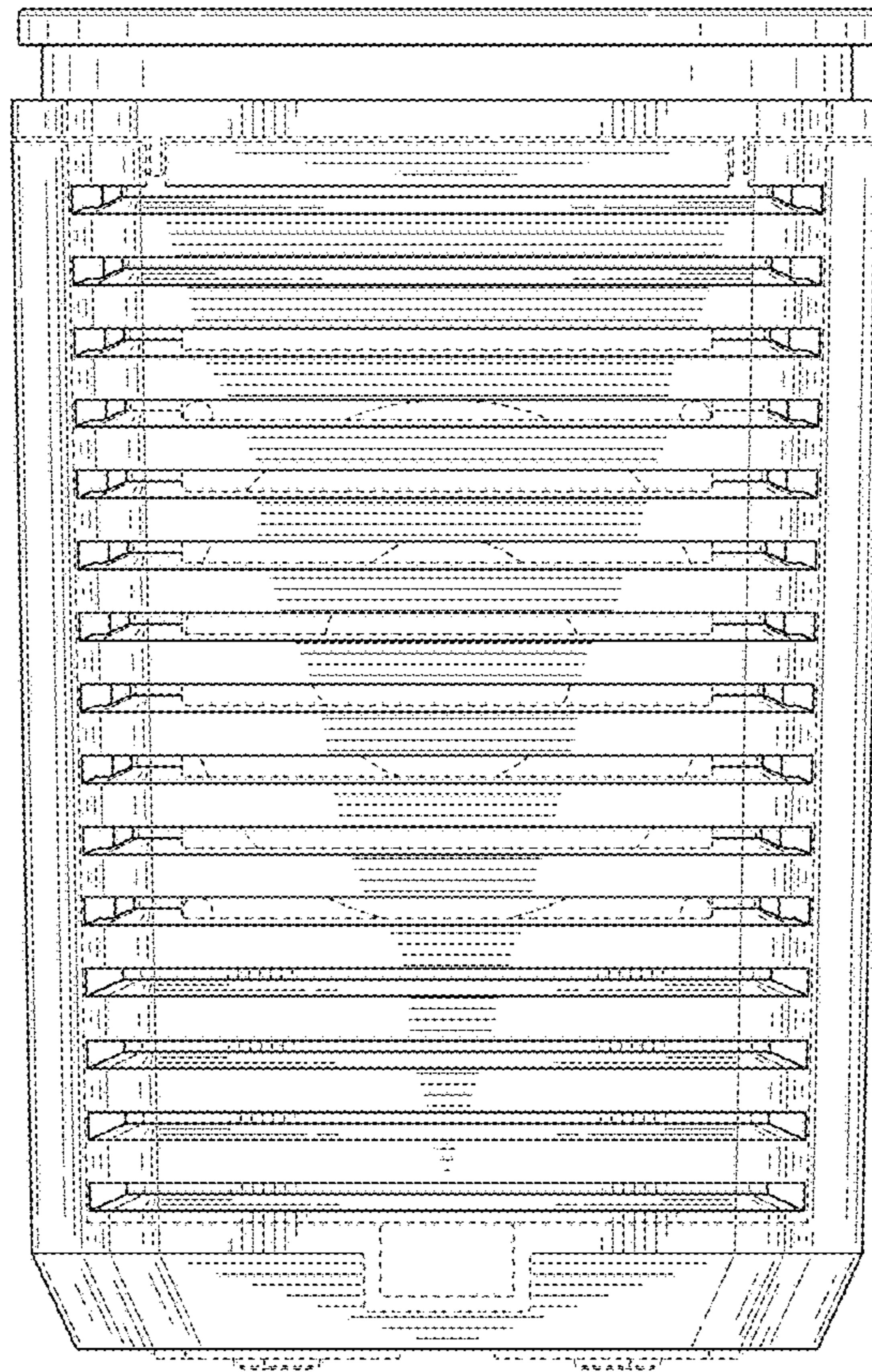


FIG. 4

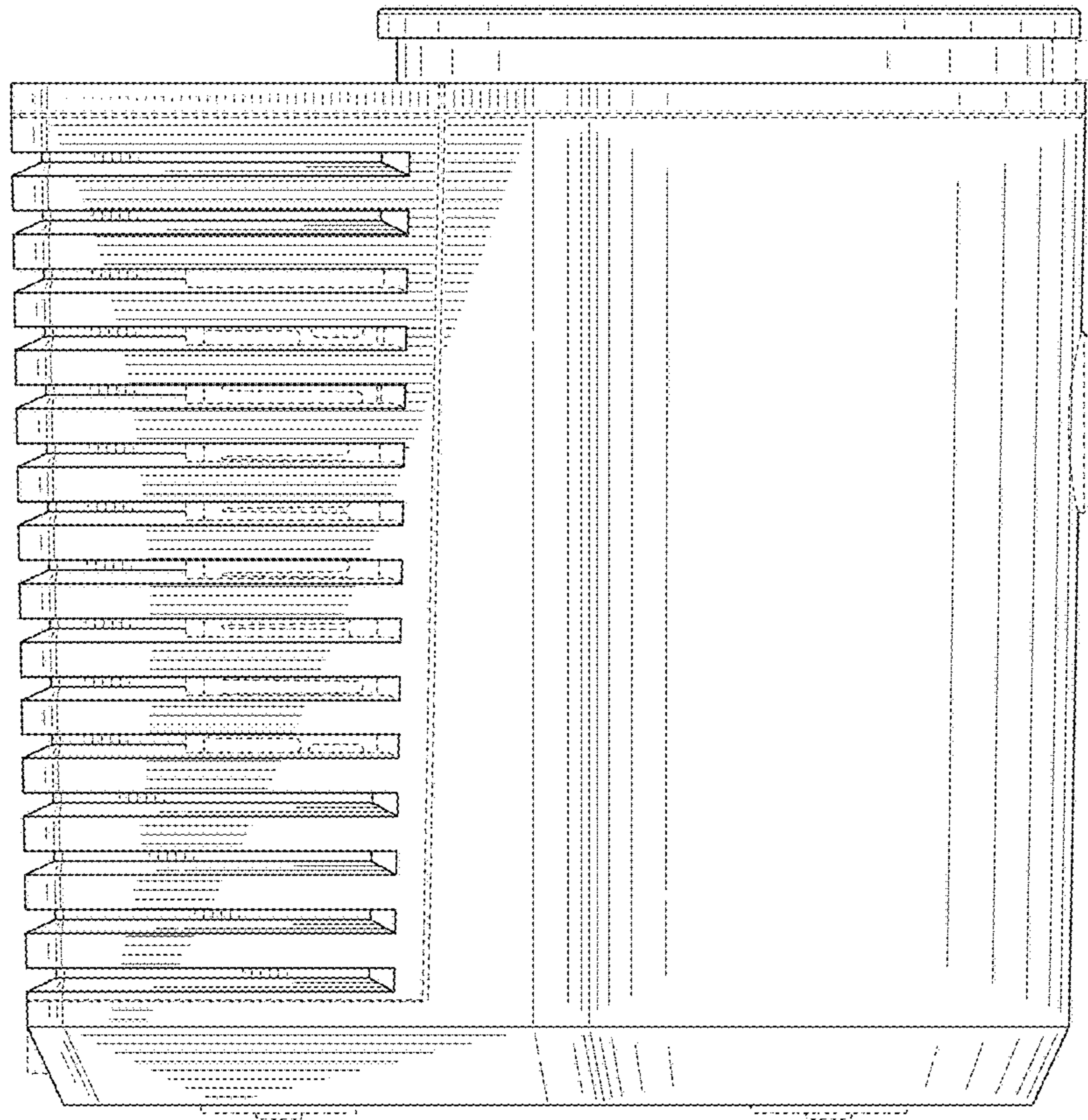


FIG. 5

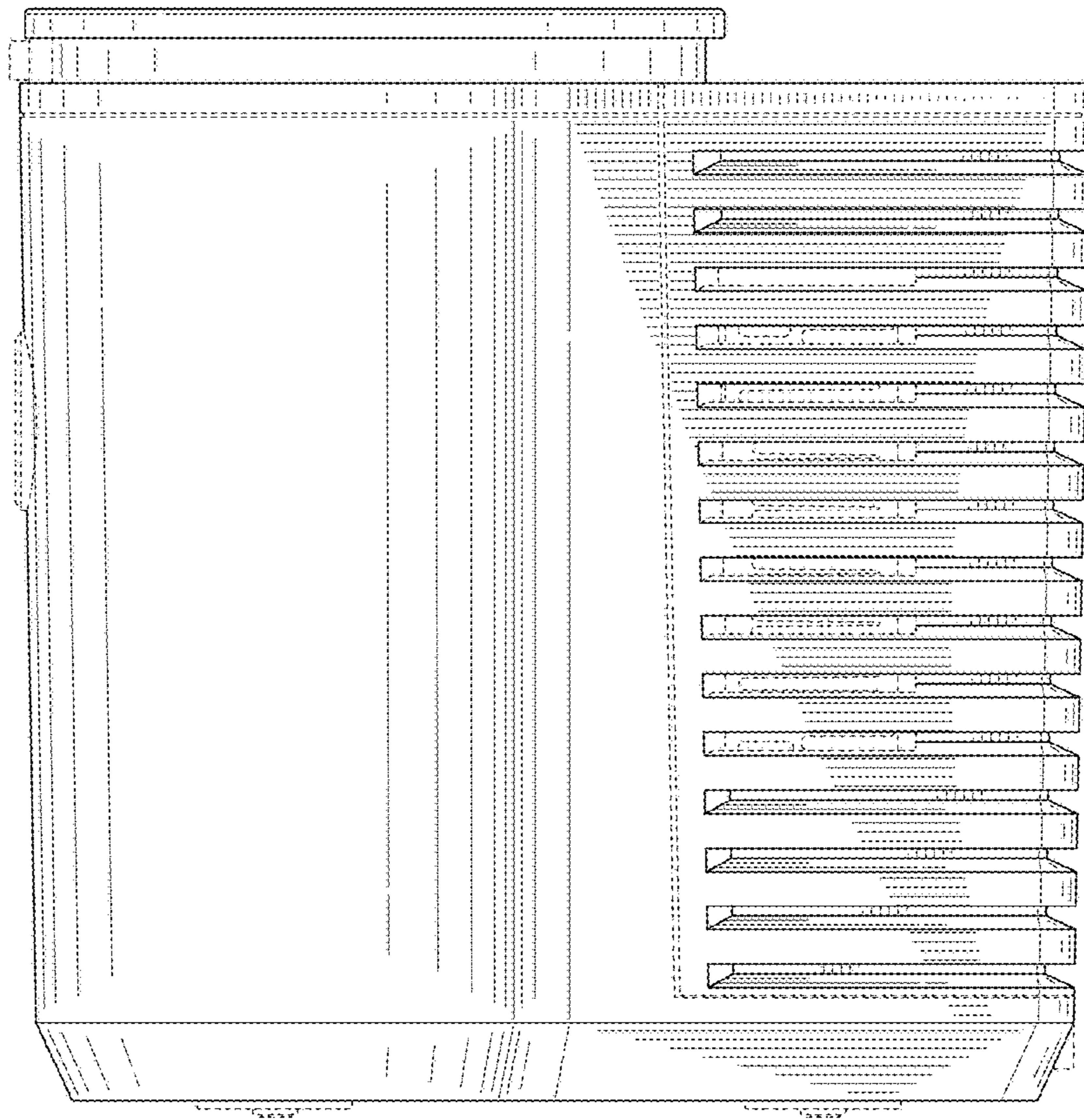


FIG. 6

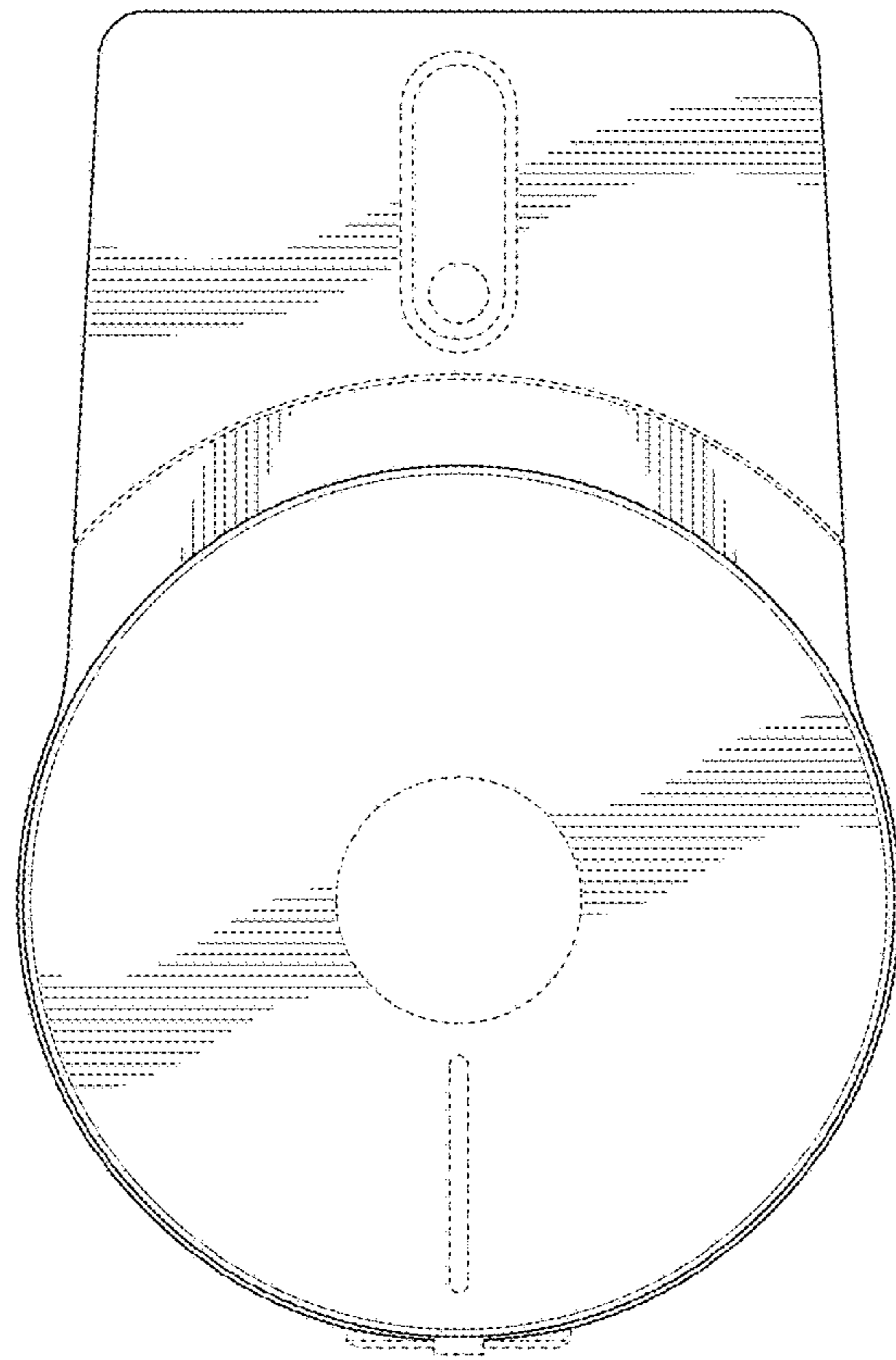


FIG. 7

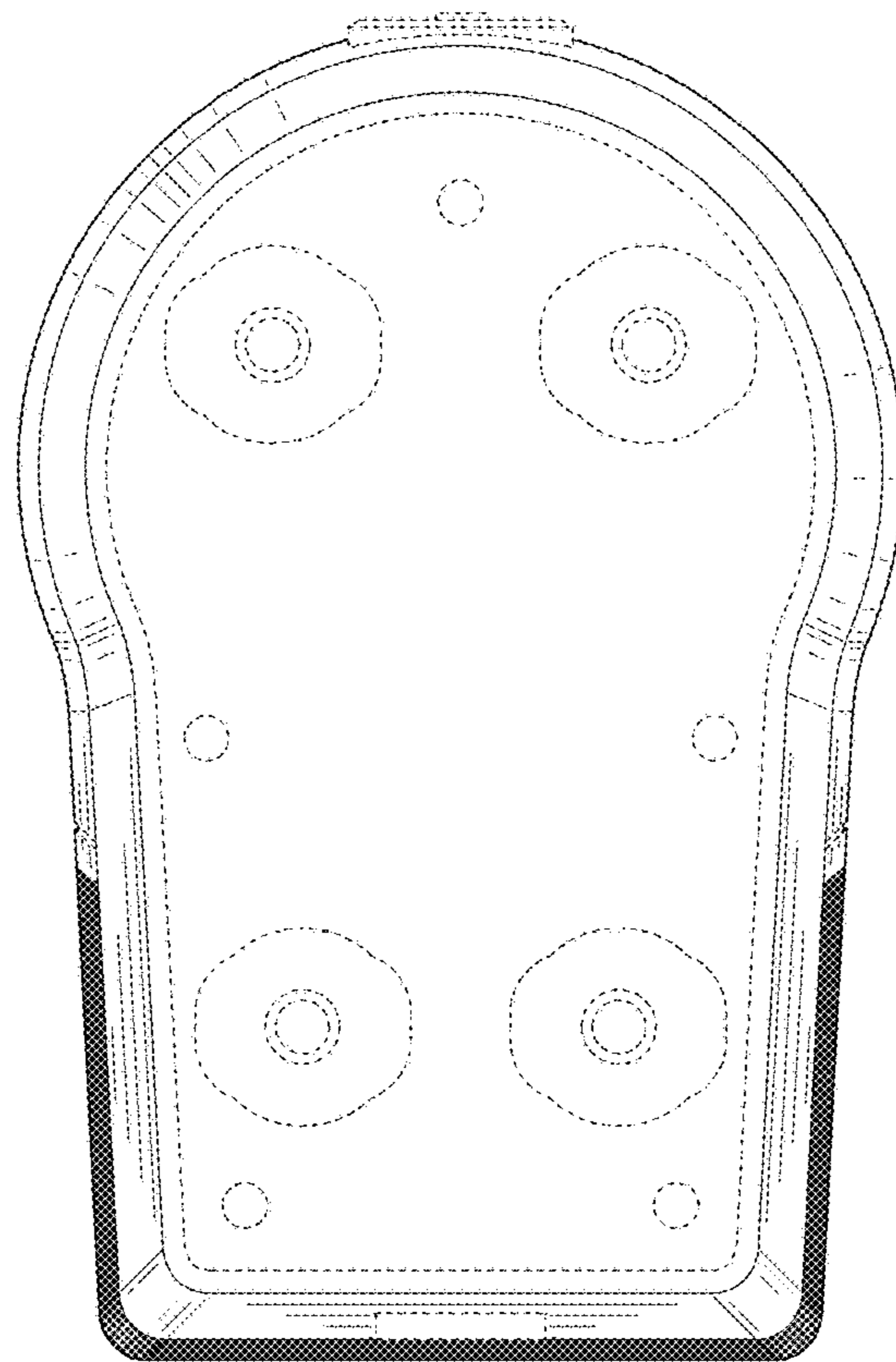


FIG. 8