

US00D843175S

(12) **United States Design Patent**
Zhang

(10) **Patent No.:** **US D843,175 S**
(45) **Date of Patent:** **** Mar. 19, 2019**

(54) **VACUUM FLASK**

(71) Applicant: **Anhui Fuguang Industrial Co., Ltd.**,
Hefei, Anhui Province (CN)

(72) Inventor: **Xia Zhang**, Hefei (CN)

(73) Assignee: **Anhui Fuguang Industrial Co., Ltd.**,
Hefei, Anhui Province (CN)

(**) Term: **15 Years**

(21) Appl. No.: **29/607,105**

(22) Filed: **Jun. 9, 2017**

(30) **Foreign Application Priority Data**

May 4, 2017 (CN) 2017 3 0159342

(51) **LOC (11) Cl.** **07-01**

(52) **U.S. Cl.**
USPC **D7/510; D7/531; D7/532; D7/536**

(58) **Field of Classification Search**
USPC **D7/507, 509, 510, 511, 523, 602, 305,**
D7/400, 397, 388, 529, 532, 392.1, 396.2,
D7/667, 533, 536, 530, 531; D9/500,
D9/501, 502, 518, 531, 532; 220/592.16,
220/592.17

CPC **A47G 19/22; A47G 19/2205; A47G**
19/2266; A45F 3/16; A47J 43/27; A47J
41/02

See application file for complete search history.

(56) **References Cited**

U.S. PATENT DOCUMENTS

D640,093 S * 6/2011 Picozza D7/376
D670,134 S * 11/2012 Di Lollo D7/300.1
D700,014 S * 2/2014 Zeanah D7/510
D723,332 S * 3/2015 Steel D7/510
D730,694 S * 6/2015 Elsaden D7/511

D742,174 S * 11/2015 Roth D7/300.2
D748,943 S * 2/2016 Miller D7/392.1
D756,702 S * 5/2016 Joseph D7/392.1
D767,336 S * 9/2016 Waggoner D7/507
D776,483 S * 1/2017 Chitayat D7/507
D781,104 S * 3/2017 Cerasani D7/300.1
D787,886 S * 5/2017 Cerasani D7/300.1
D788,529 S * 6/2017 Chitayat D7/510
9,790,007 B2 * 10/2017 Sorensen A47G 19/00
D802,366 S * 11/2017 Cerasani D7/510
D802,993 S * 11/2017 Joseph D7/392.1
D804,903 S * 12/2017 Mason D7/510
D808,711 S * 1/2018 Joseph D7/392.1
D810,502 S * 2/2018 Joseph D7/392.1
D811,810 S * 3/2018 Joseph D7/392.1
D814,855 S * 4/2018 Hammer D7/392.1
D816,411 S * 5/2018 Stover D7/510
2015/0173539 A1 * 6/2015 Mason A47G 19/2272
220/707

(Continued)

Primary Examiner — Marianne N Pandozzi

Assistant Examiner — Jae Liang

(74) *Attorney, Agent, or Firm* — Muncy, Geissler, Olds & Lowe, P.C.

(57) **CLAIM**

The ornamental design for a vacuum flask, as shown and described.

DESCRIPTION

FIG. 1 is a front elevational view of a vacuum flask showing my new design;

FIG. 2 is a rear elevational view thereof;

FIG. 3 is a left side view thereof;

FIG. 4 is a right side view thereof;

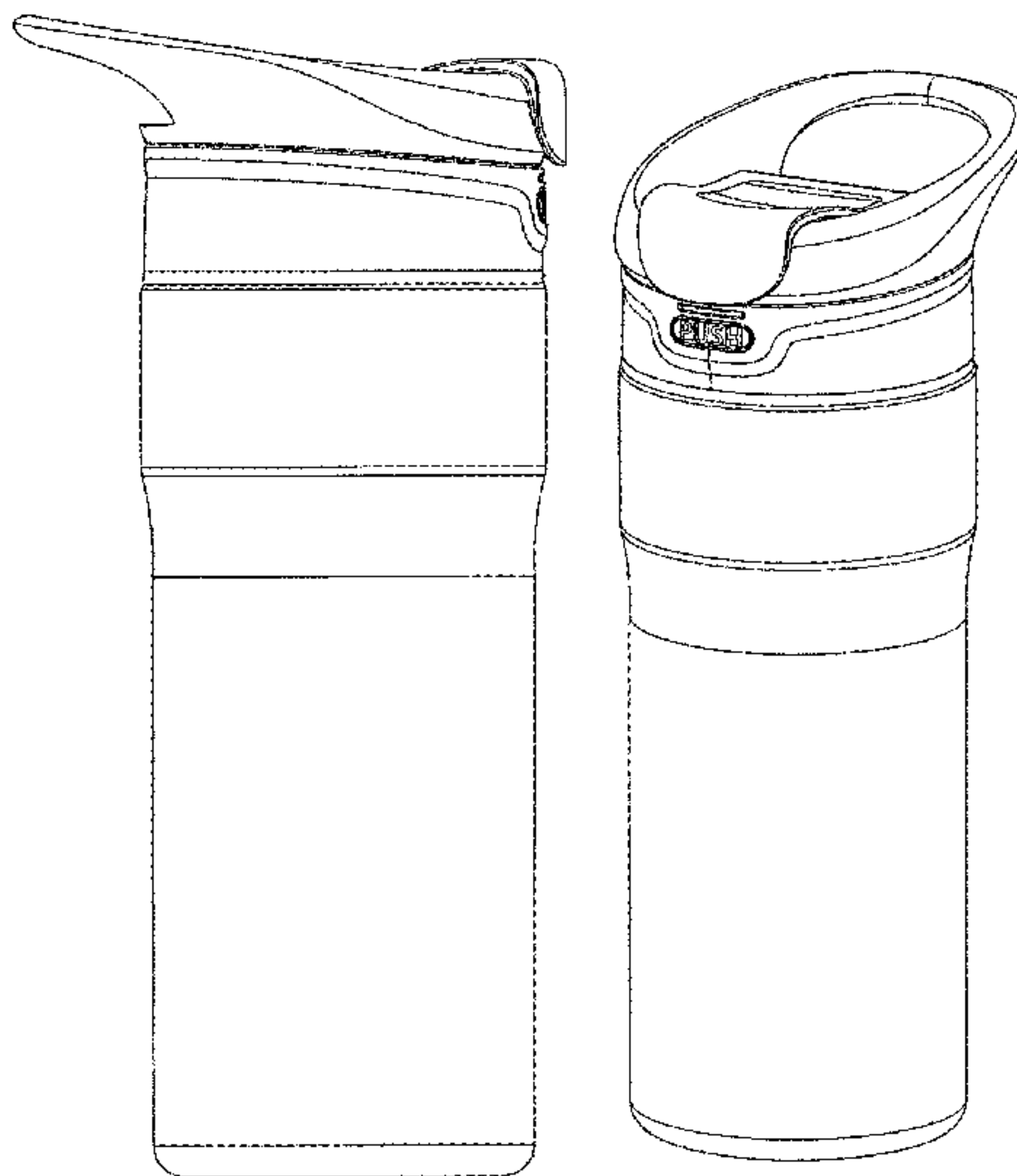
FIG. 5 is an enlarged top plan view thereof;

FIG. 6 is an enlarged bottom plan view thereof; and,

FIG. 7 is a perspective view thereof.

The broken lines in the drawings depict portions of the vacuum flask that form no part of the claimed design.

1 Claim, 7 Drawing Sheets



(56)

References Cited

U.S. PATENT DOCUMENTS

2015/0201775 A1* 7/2015 Sorensen A47G 19/2266
222/482

* cited by examiner

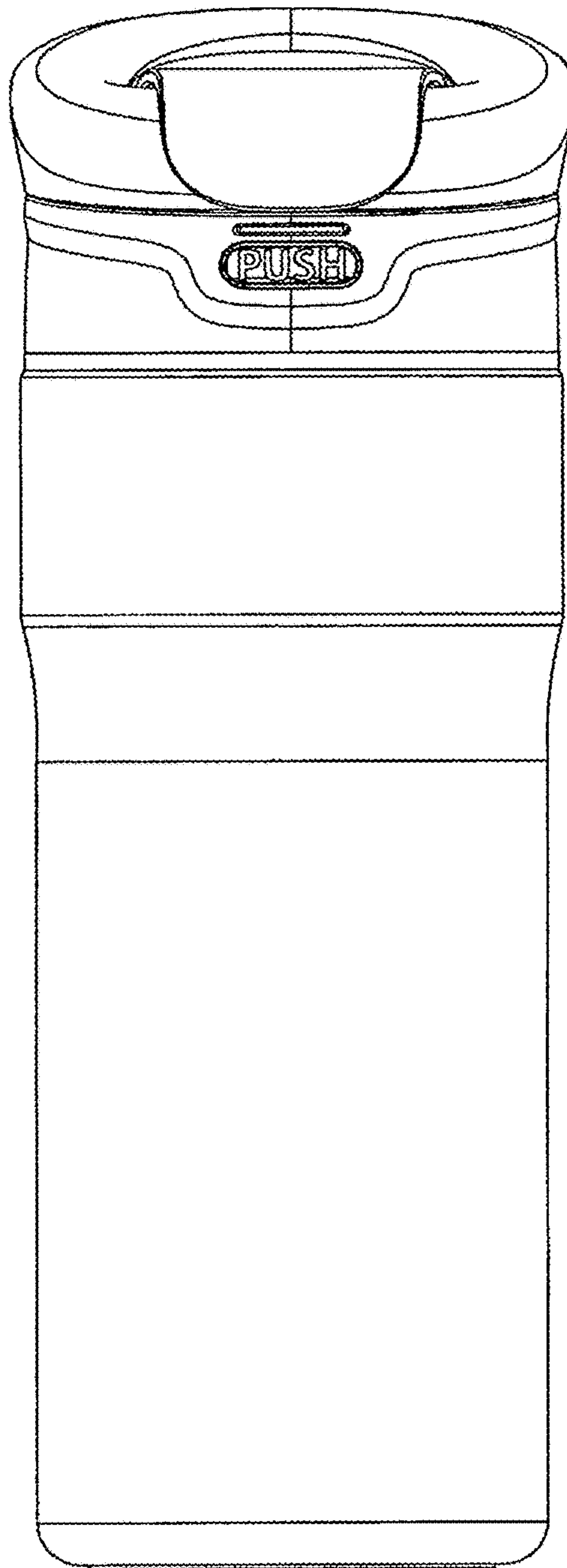


FIG. 1

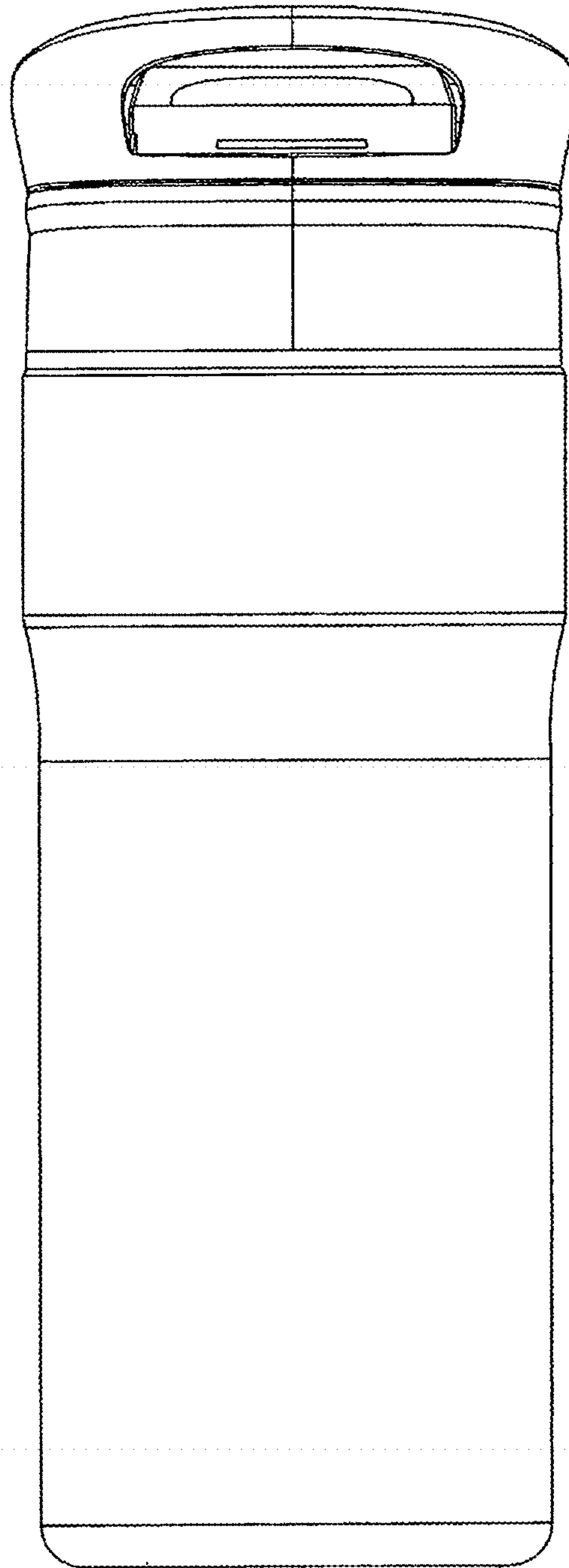


FIG. 2

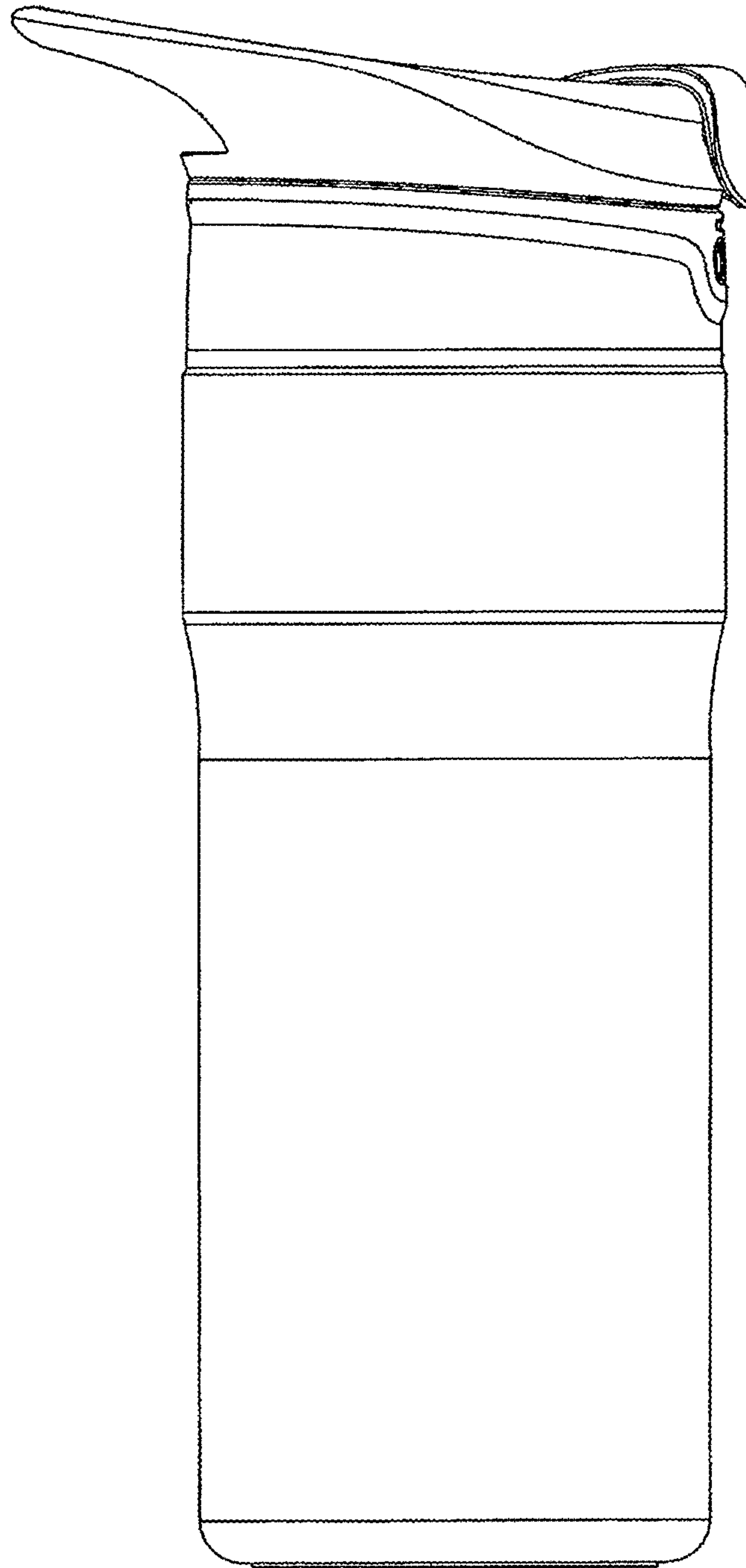


FIG. 3

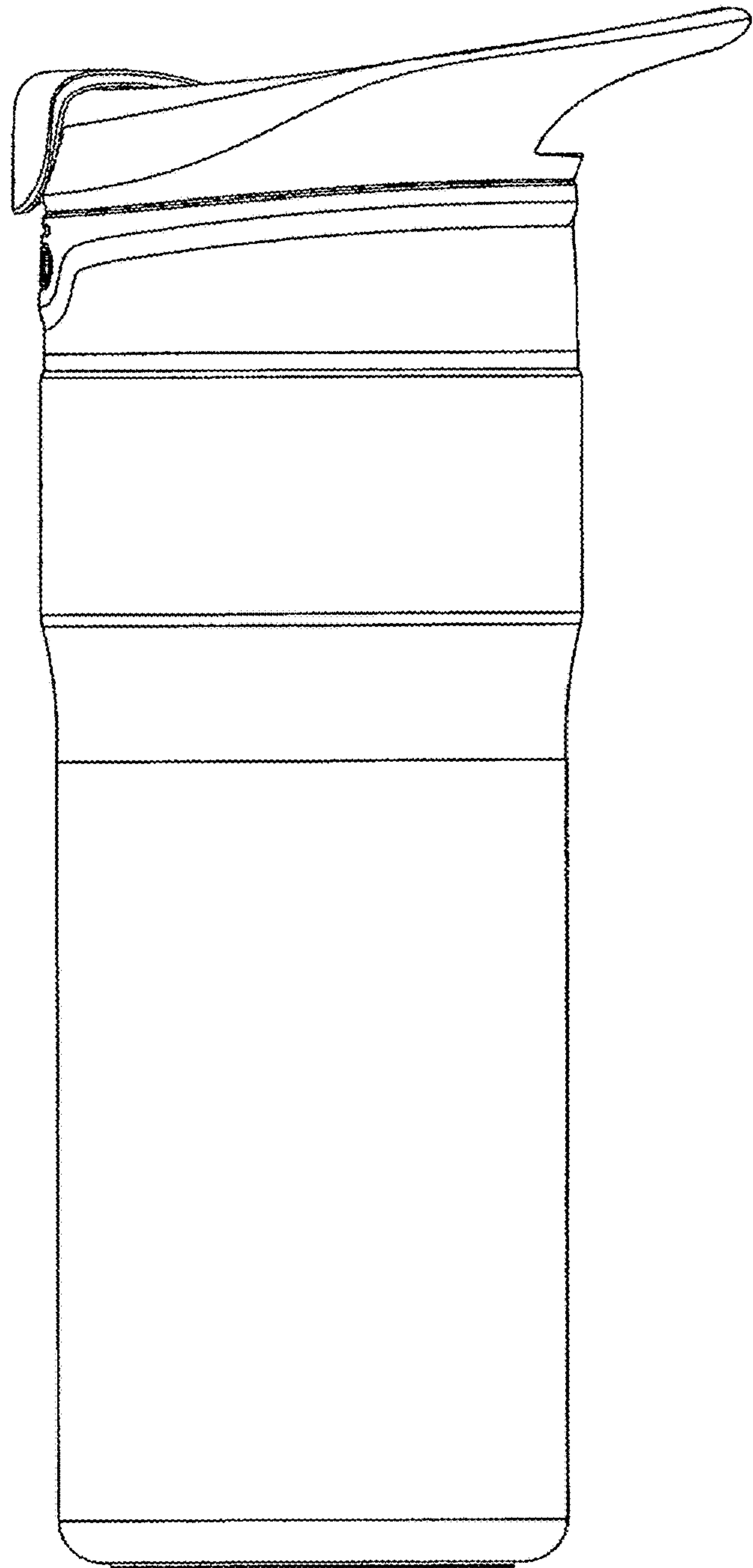


FIG. 4

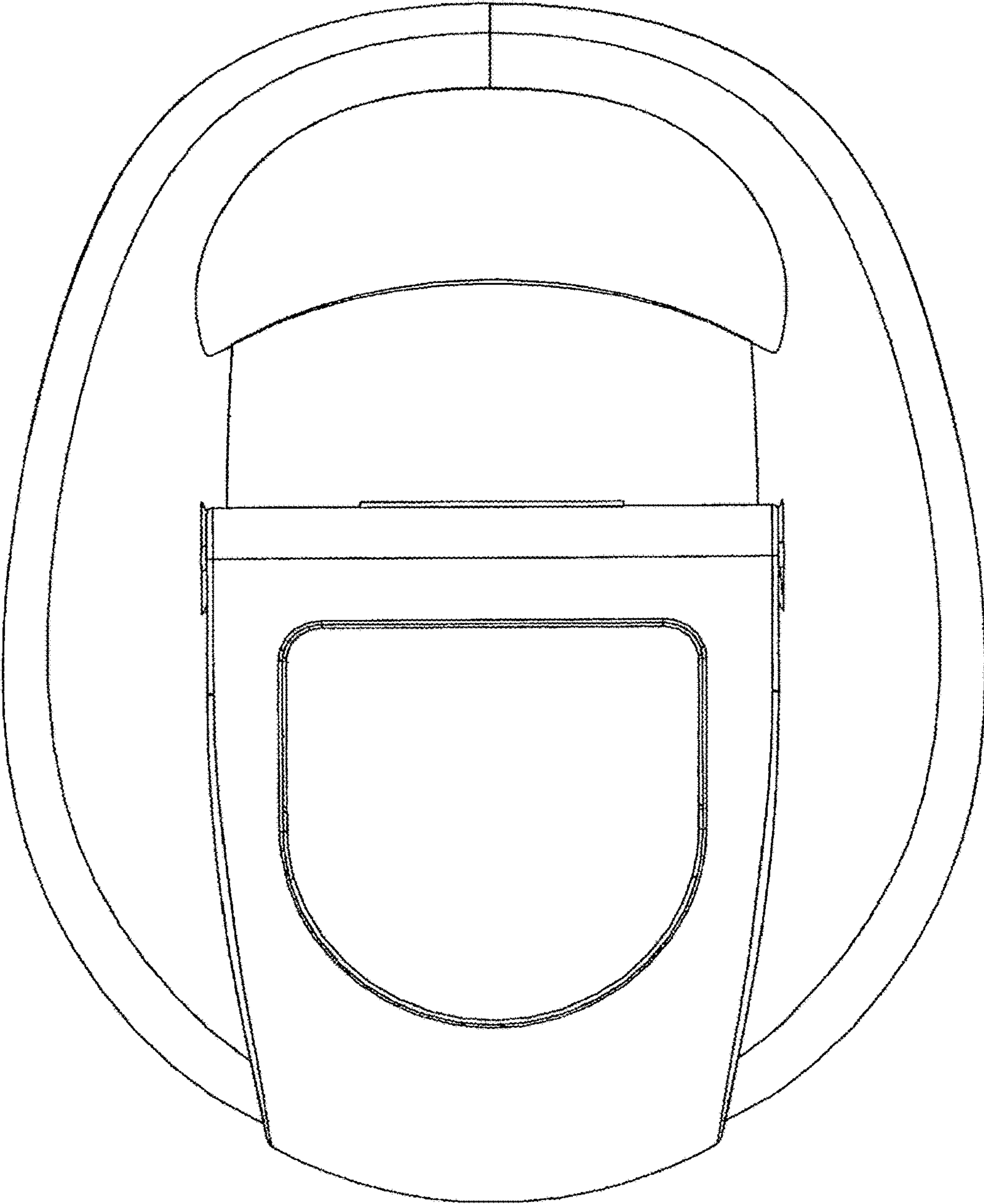


FIG. 5

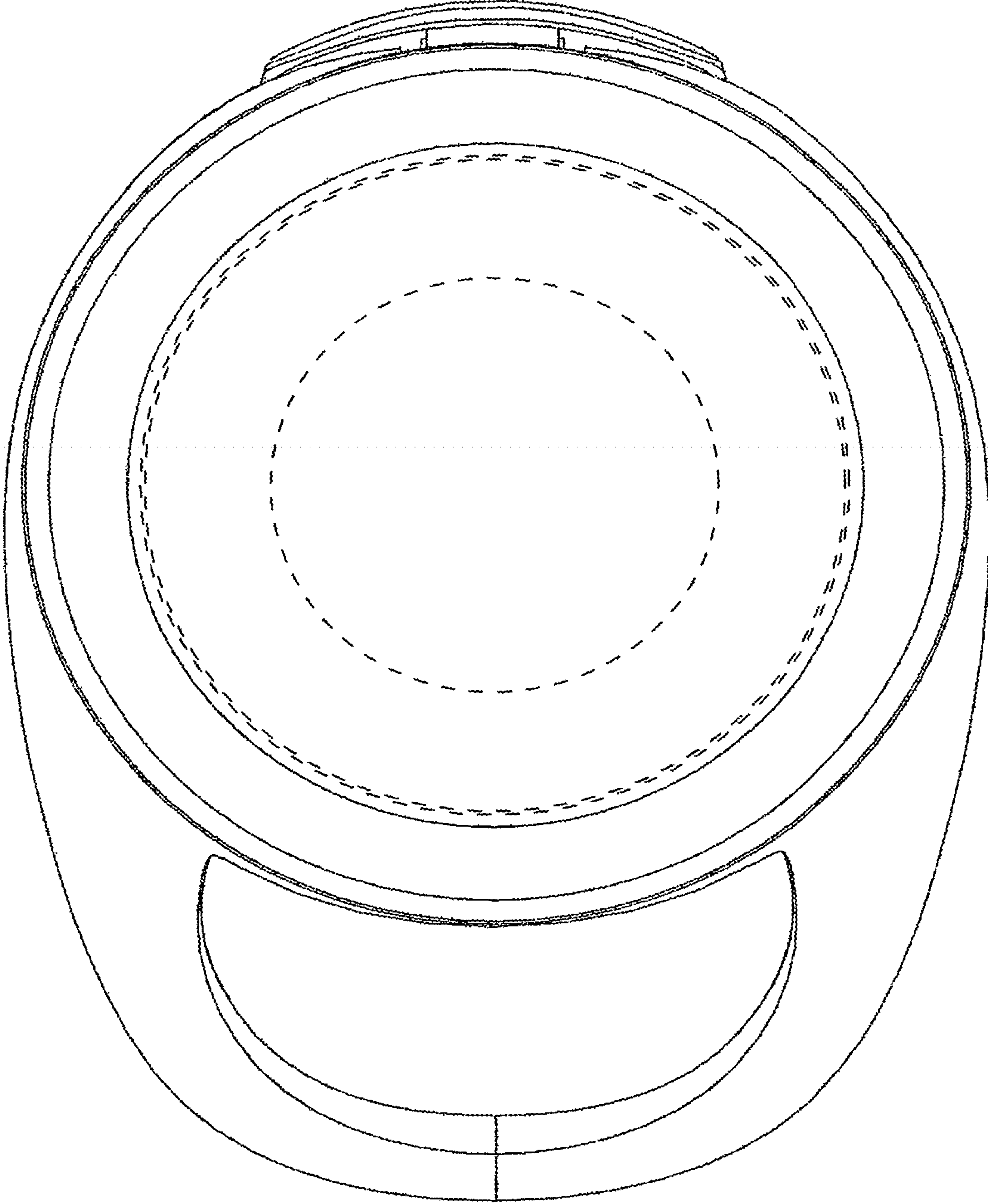


FIG. 6

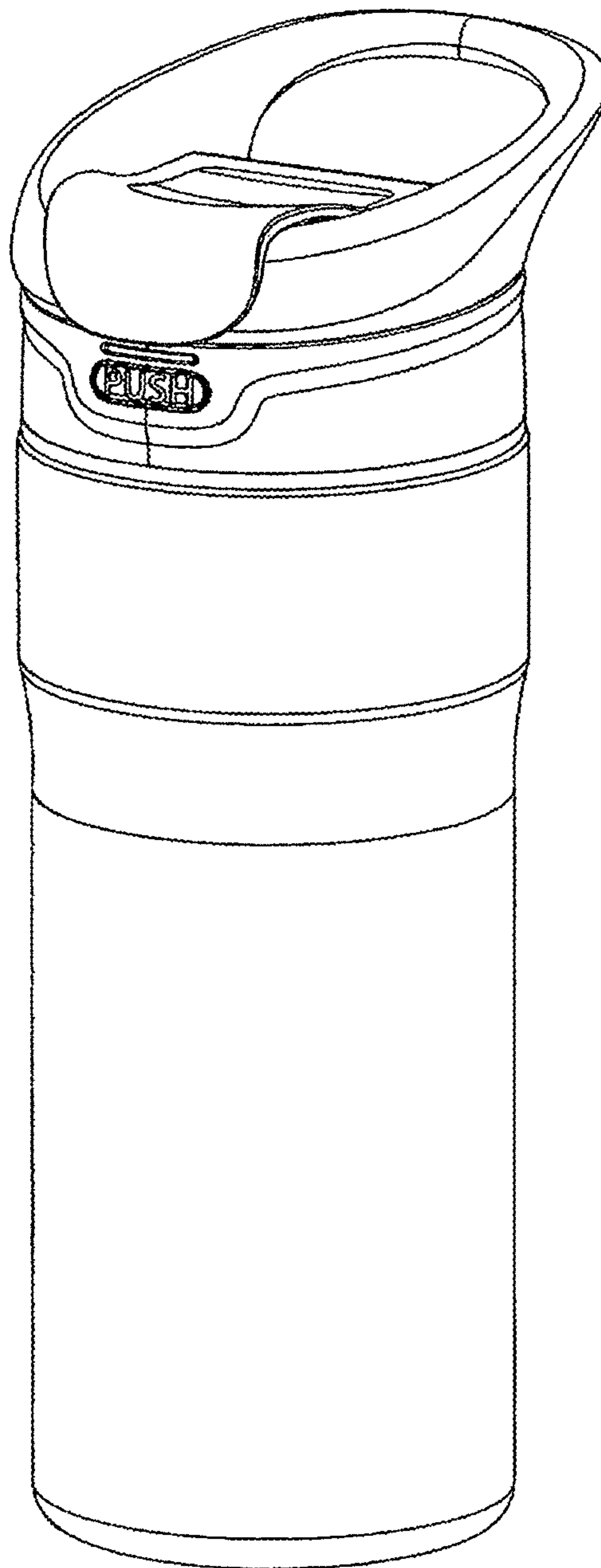


FIG. 7