



US00D843170S

(12) **United States Design Patent** (10) **Patent No.:** **US D843,170 S**
Kim et al. (45) **Date of Patent:** **** Mar. 19, 2019**

(54) **WATER TANK FOR GAS OVEN RANGE**

(56) **References Cited**

(71) Applicant: **LG ELECTRONICS INC.**, Seoul (KR)

U.S. PATENT DOCUMENTS

(72) Inventors: **Sooyeon Kim**, Seoul (KR); **Hanjin Jung**, Seoul (KR); **Songyi Han**, Seoul (KR); **Inhwan Ryu**, Seoul (KR); **Jinwon Kang**, Seoul (KR)

5,002,038	A *	3/1991	Riehl	F23D 14/06 126/39 H
5,040,970	A *	8/1991	Riehl	F23D 14/06 126/39 E
5,083,915	A *	1/1992	Riehl	F24C 3/103 126/39 E
5,085,202	A *	2/1992	Riehl	F24C 3/085 126/39 R
5,112,218	A *	5/1992	Sigler	F24C 3/103 126/39 E
5,133,334	A *	7/1992	Riehl	F23D 14/06 126/39 R
5,139,417	A *	8/1992	Ghassemzadeh	F23D 14/06 126/39 H
5,149,262	A *	9/1992	Riehl	F23D 14/06 126/39 H
5,152,276	A *	10/1992	Brock	F24C 3/103 126/39 E
5,160,255	A *	11/1992	Sigler	F23Q 3/006 126/39 E

(73) Assignee: **LG ELECTRONICS INC.**, Seoul (KR)

(**) Term: **15 Years**

(21) Appl. No.: **35/504,215**

(22) Filed: **Jun. 23, 2017**

(80) **Hague Agreement Data**

Int. Filing Date: **Jun. 23, 2017**
Int. Reg. No.: **DM/096745**
Int. Reg. Date: **Jun. 23, 2017**
Int. Reg. Pub. Date: **Dec. 29, 2017**

(Continued)

Primary Examiner — Richard E Chilcot
(74) *Attorney, Agent, or Firm* — Birch, Stewart, Kolasch & Birch, LLP

(30) **Foreign Application Priority Data**

Dec. 23, 2016 (KR) 30-2016-0063096

(51) **LOC (11) Cl.** **07-02**

(52) **U.S. Cl.**
USPC **D7/402**
CPC **F23D 14/06** (2013.01)

(58) **Field of Classification Search**
USPC D7/332–351, 362–367, 402–409
CPC F16B 3/04; F16H 2025/2071; F16H 59/02;
A47J 36/34; F23D 5/00; F23D 14/02;
F23D 14/04; F23D 14/06; F23D 14/065;
F23D 14/46; F24C 3/08; F24C 3/085;
F24C 3/103; F24C 15/101; F24C 15/14;
F24H 1/12; F24H 1/124

See application file for complete search history.

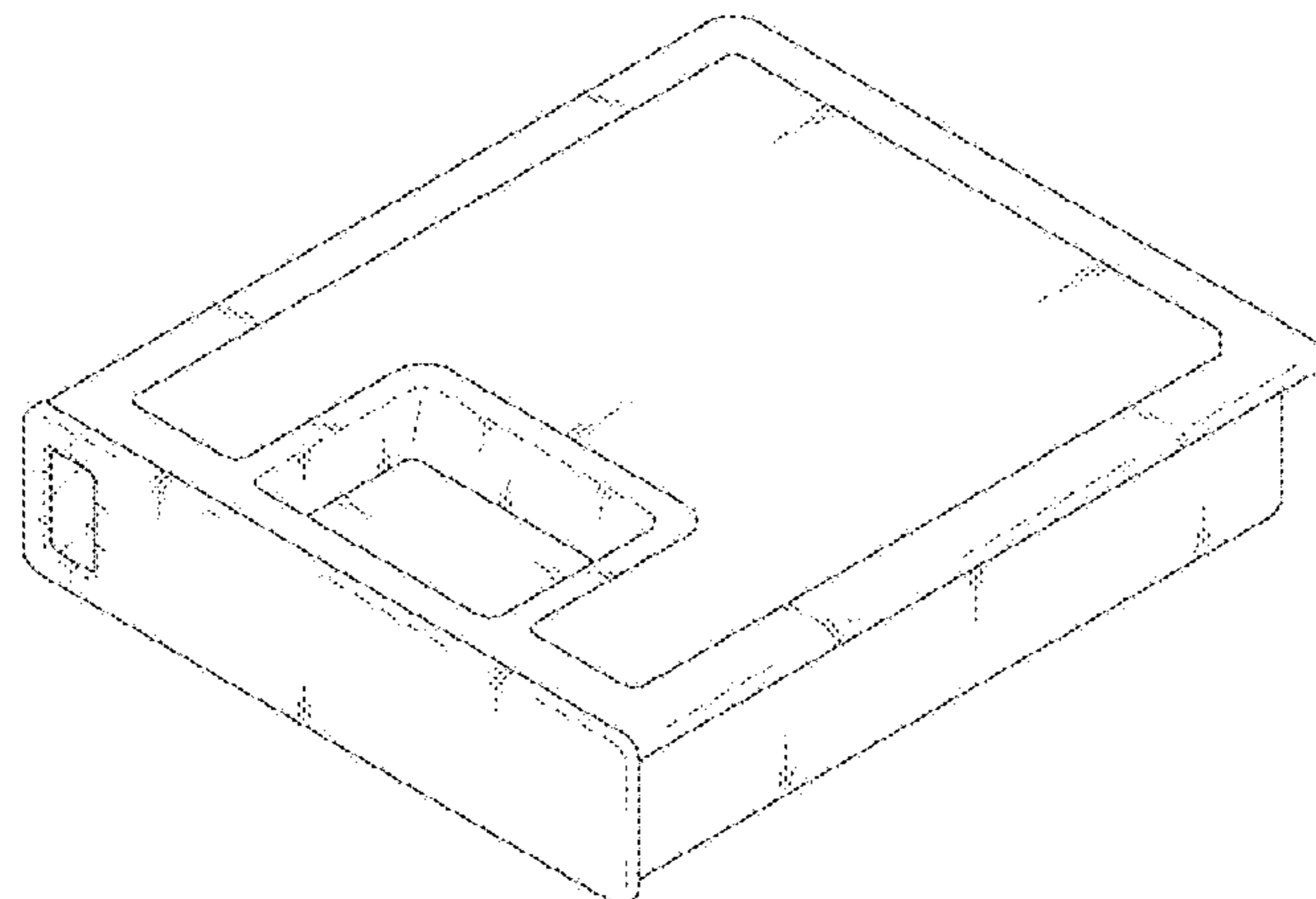
(57) **CLAIM**

The ornamental design for a water tank for gas oven range, as shown and described.

DESCRIPTION

- 1. Water tank for gas oven range
- 1.1 : Perspective
- 1.2 : Front
- 1.3 : Back
- 1.4 : Left
- 1.5 : Top
- 1.6 : Bottom
- 1.7 : Back perspective view
- 1.8 : Reference view

(Continued)



The broken lines depict portions of the water tank for gas oven range that form no part of the claimed design.

1 Claim, 8 Drawing Sheets

(56)

References Cited

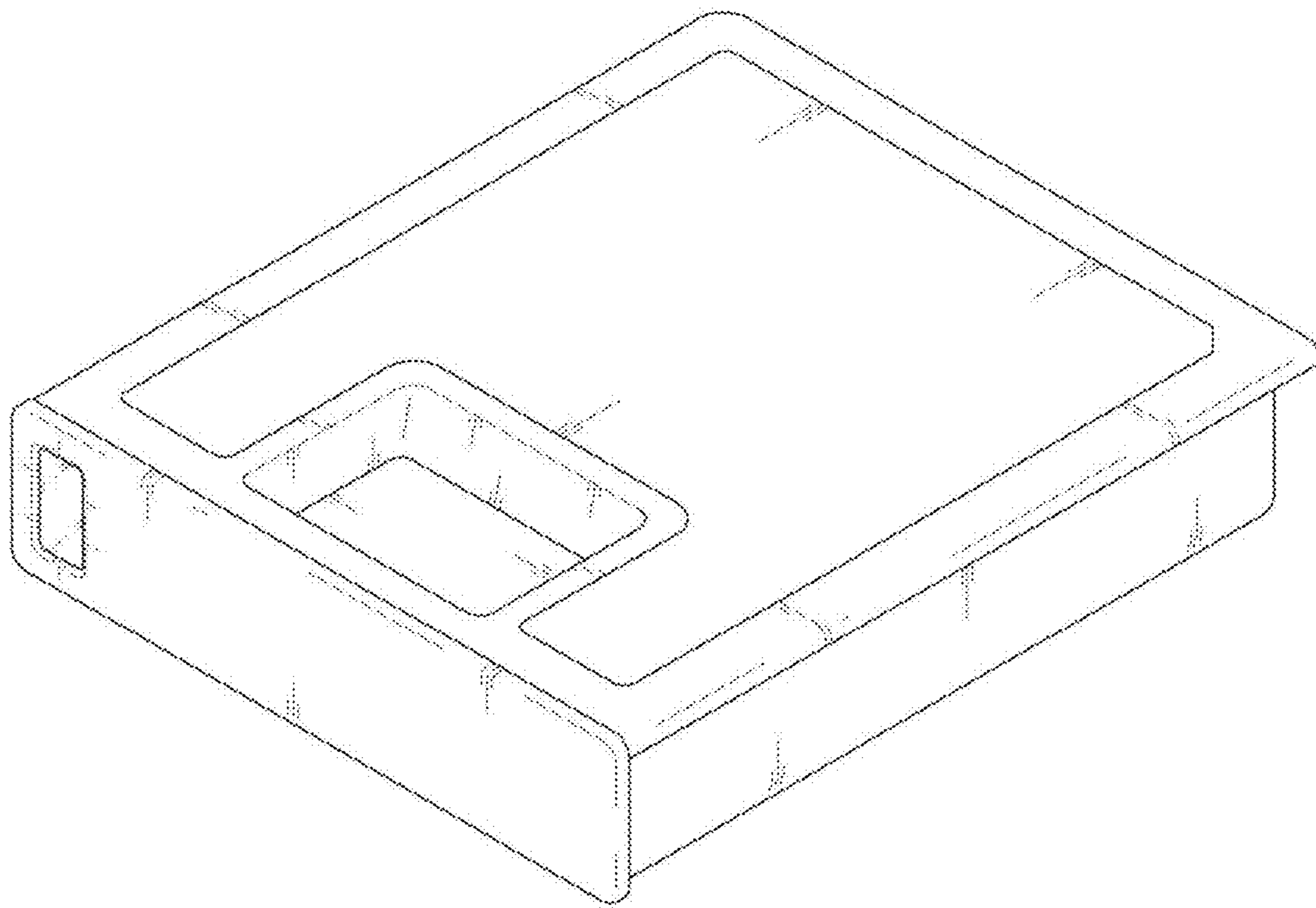
U.S. PATENT DOCUMENTS

5,160,256 A * 11/1992 Riehl F24C 3/103
 126/39 BA
 5,397,234 A * 3/1995 Kwiatek F24C 3/103
 431/264
 D369,517 S * 5/1996 Ferlin D7/407
 5,515,773 A * 5/1996 Bullard A47J 27/04
 126/20
 7,017,572 B2 * 3/2006 Cadima F23D 14/06
 126/39 E
 D524,105 S * 7/2006 Poltronieri D7/407
 D564,296 S * 3/2008 Koch D7/407
 D580,224 S * 11/2008 Geiger D7/408
 D581,214 S * 11/2008 Rosa D7/407
 D581,215 S * 11/2008 Geiger D7/408
 D581,736 S * 12/2008 Besseas D7/407
 D584,567 S * 1/2009 Hughes D7/407
 D585,241 S * 1/2009 Geiger D7/408
 D589,740 S * 4/2009 Strayle D7/346
 7,537,004 B2 * 5/2009 Reay F24C 15/327
 126/20

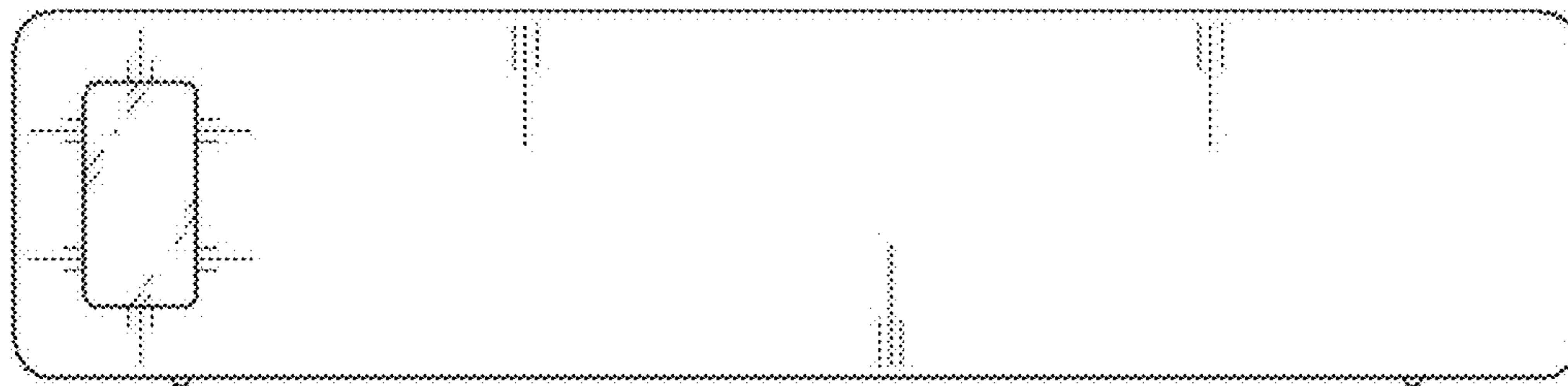
D597,373 S * 8/2009 Geiger D7/408
 D597,374 S * 8/2009 Geiger D7/408
 D609,960 S * 2/2010 Cutino D7/346
 D610,870 S * 3/2010 Westers D7/407
 7,841,332 B2 * 11/2010 Pottenger F23D 14/06
 126/39 E
 D628,431 S * 12/2010 Funnell D7/346
 D629,638 S * 12/2010 Funnell D7/346
 D634,579 S * 3/2011 Funnell, II D7/346
 D634,580 S * 3/2011 Funnell, II D7/346
 D642,675 S * 8/2011 Scribano D23/415
 D678,722 S * 3/2013 Lona Santoyo D7/407
 D682,028 S * 5/2013 Preisler D7/407
 D685,225 S * 7/2013 Santoyo D7/407
 D687,675 S * 8/2013 Filho D7/407
 D697,369 S * 1/2014 Lona Santoyo D7/407
 D704,508 S * 5/2014 Nordwall D7/346
 8,850,968 B2 * 10/2014 Seguchi F22B 1/284
 126/20
 D743,203 S * 11/2015 Filho D7/407
 D745,321 S * 12/2015 Koch D7/407
 D758,129 S * 6/2016 Filho D7/407
 D766,036 S * 9/2016 Koch D7/407
 9,468,328 B2 * 10/2016 Yang A47J 27/04
 D772,647 S * 11/2016 Zambruni D7/407
 D775,888 S * 1/2017 Kim D7/337
 9,565,964 B2 * 2/2017 Yang A47J 27/04
 D787,041 S * 5/2017 Lah D23/415
 2009/0250452 A1 * 10/2009 Tse F24C 15/327
 126/20

* cited by examiner

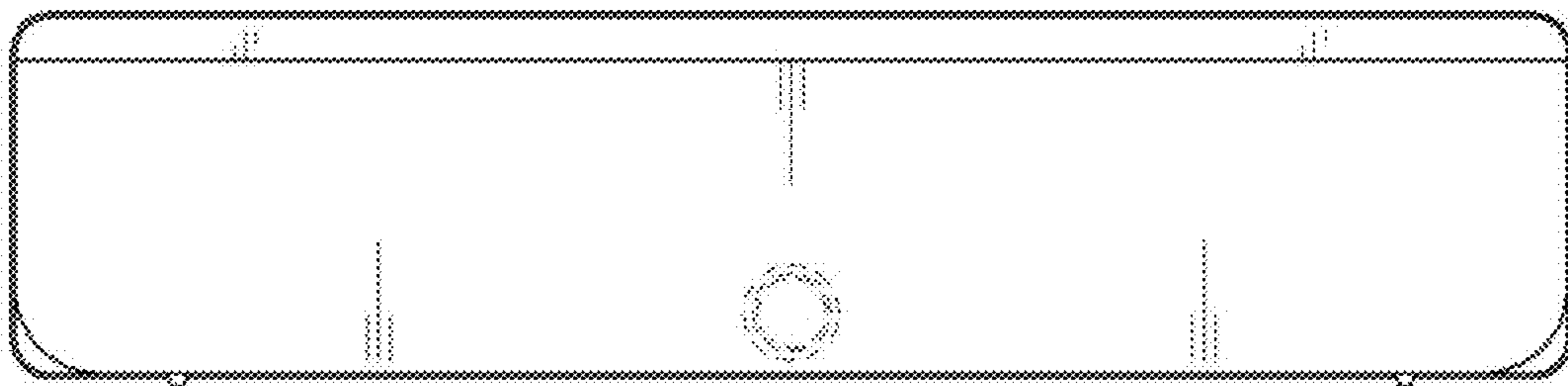
1.1



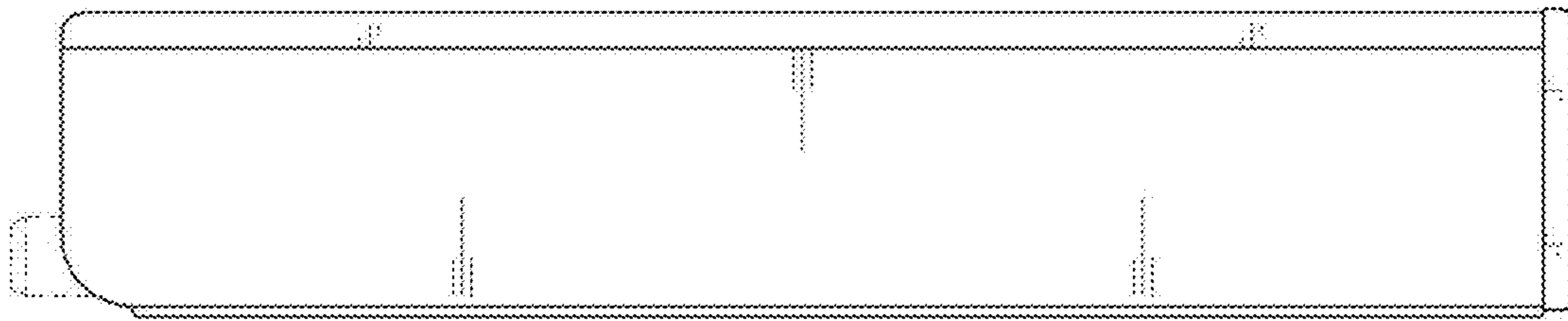
1.2



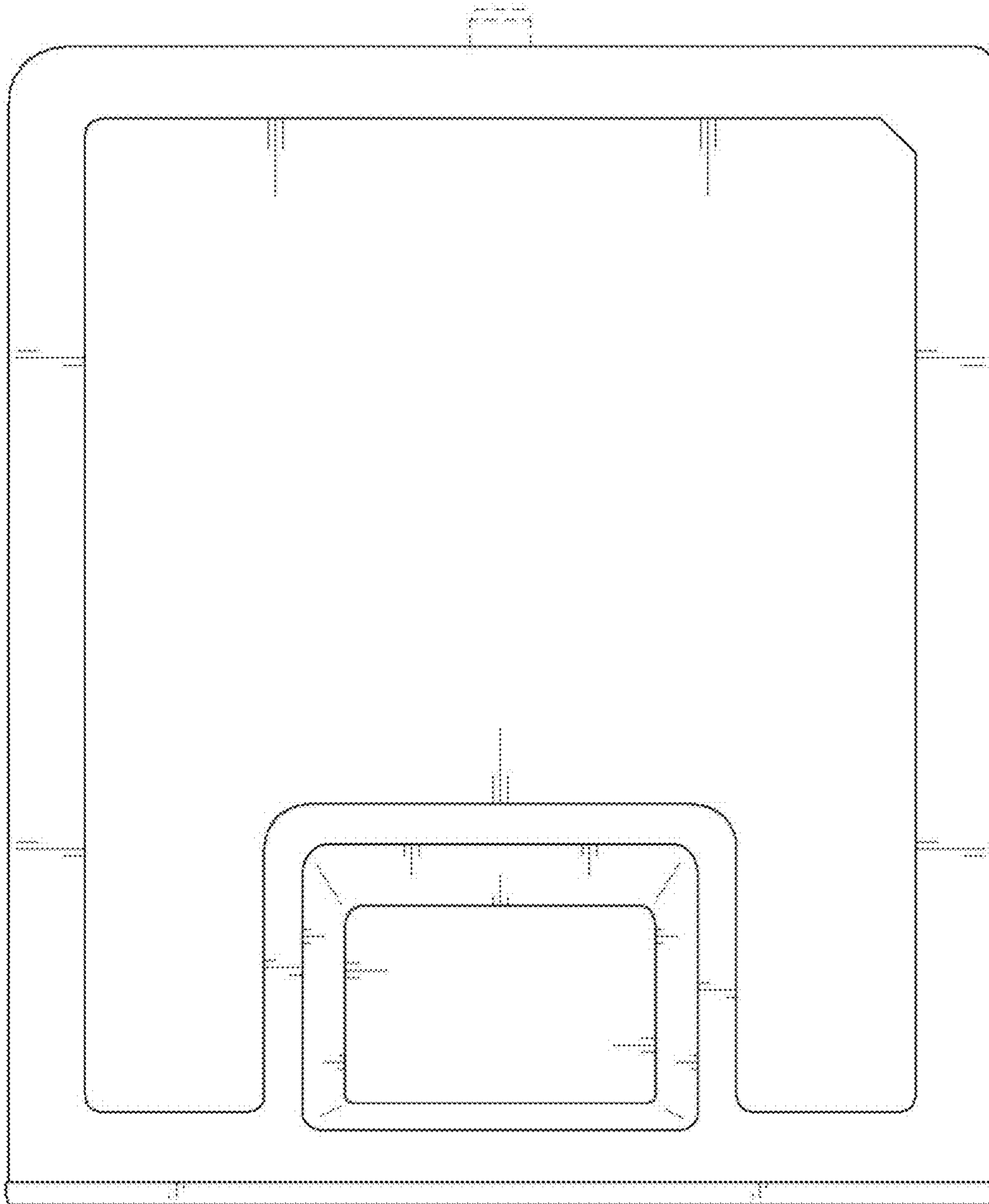
1.3



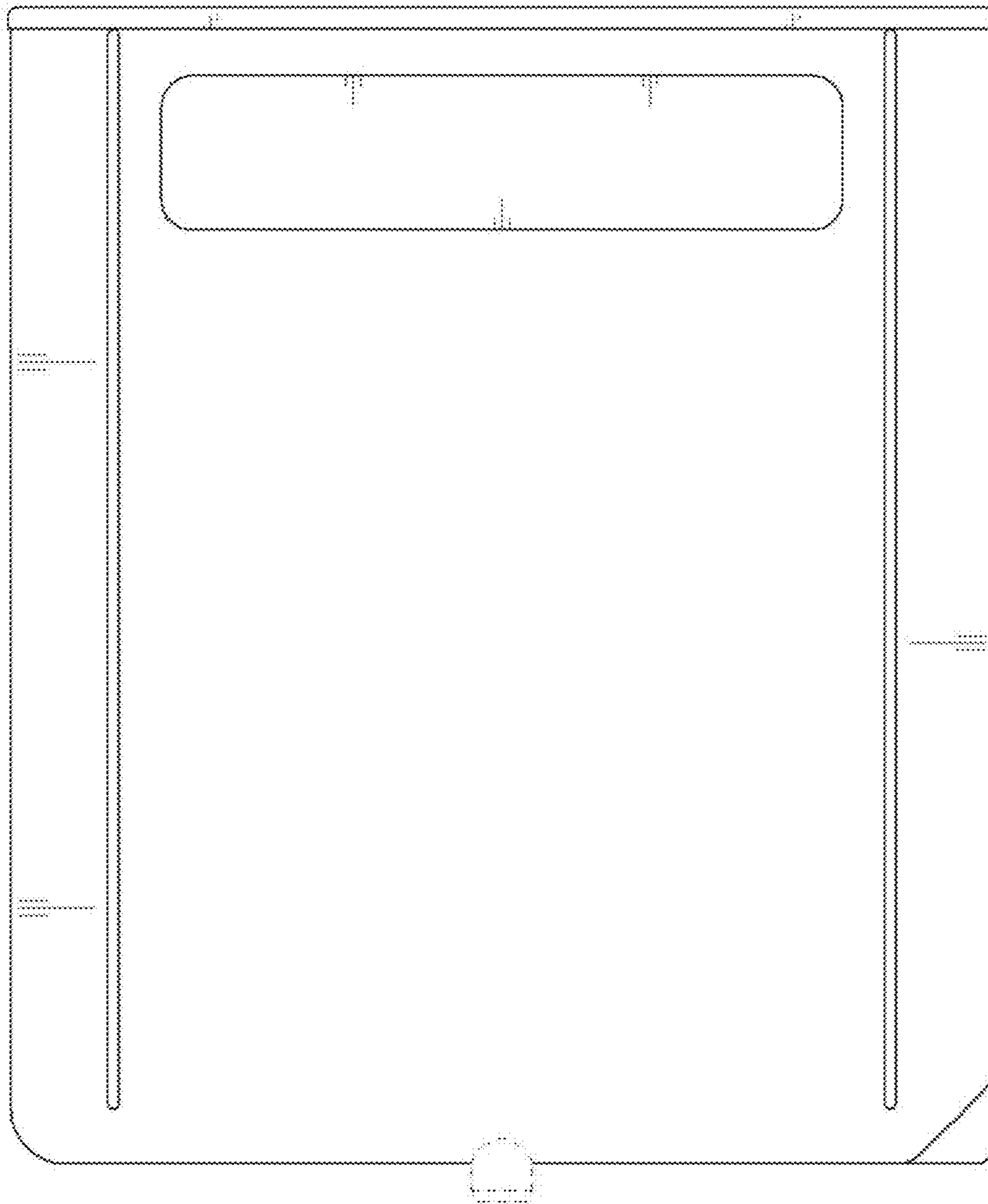
1.4



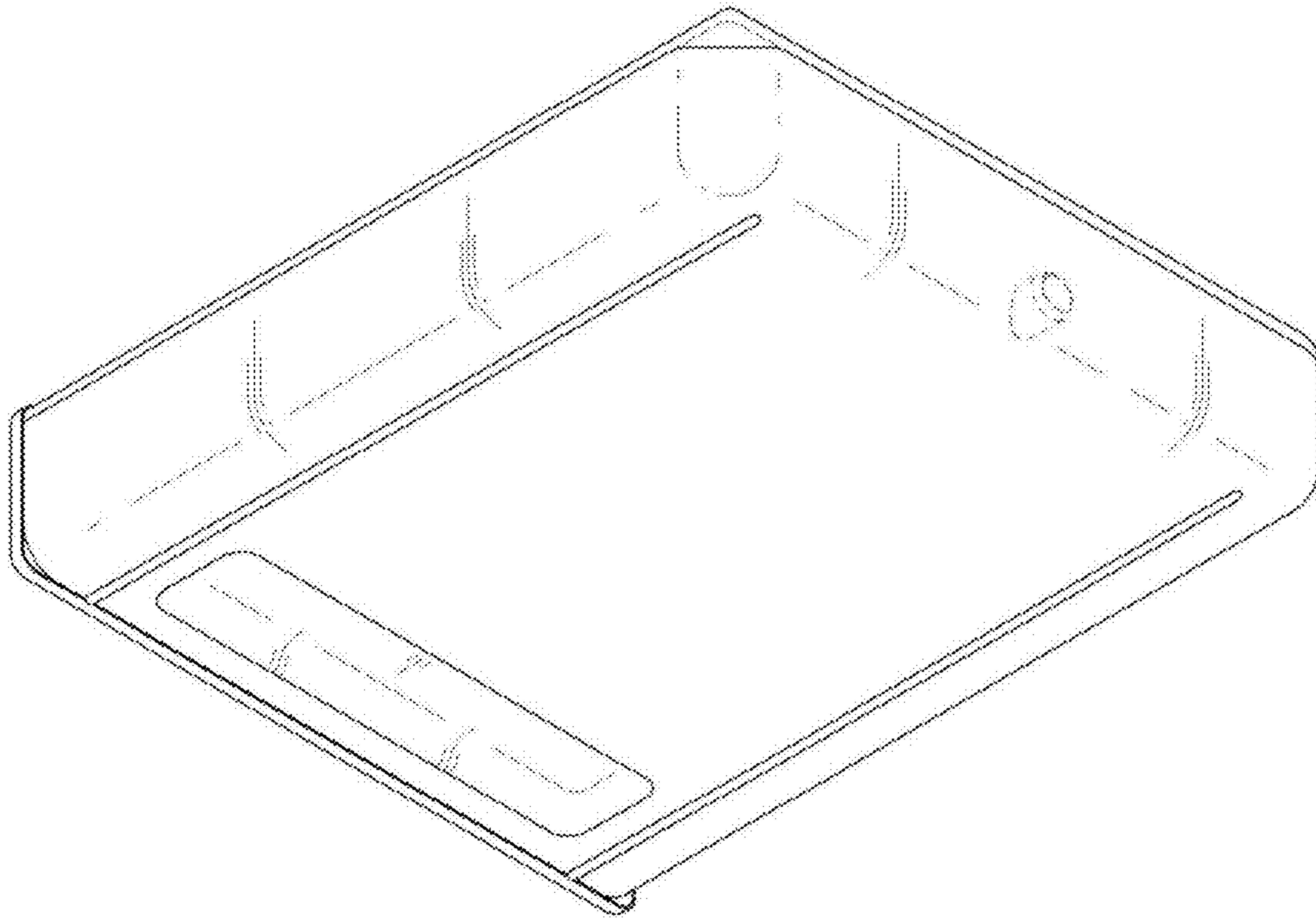
1.5



1.6



1.7



1.8

