



US00D843168S

(12) **United States Design Patent** (10) **Patent No.:** **US D843,168 S**  
**Donovan et al.** (45) **Date of Patent:** **\*\* Mar. 19, 2019**

- (54) **SPIGOT**
- (71) Applicant: **Brita LP**, Oakland, CA (US)
- (72) Inventors: **Madeline A. Donovan**, Pleasanton, CA (US); **John E. Jamieson**, Pleasanton, CA (US); **Douglas Merian**, Pleasanton, CA (US); **Scot Herbst**, Santa Cruz, CA (US); **Wong Chung Yu**, Tko (HK)
- (73) Assignee: **Brita LP**, Oakland, CA (US)
- (\*\*) Term: **15 Years**
- (21) Appl. No.: **29/593,358**
- (22) Filed: **Feb. 8, 2017**
- (51) **LOC (11) Cl.** ..... **07-99**
- (52) **U.S. Cl.**  
USPC ..... **D7/398**
- (58) **Field of Classification Search**  
USPC ..... D7/213, 300, 301, 304, 306-311, 314, D7/387-390, 397-400; D8/354; D23/213, 233, 250, 252, 259  
CPC ..... B67D 1/00; B67D 1/14; B67D 1/1405; B67D 3/00; B65D 41/04; A47J 31/40  
See application file for complete search history.

- D640,897 S 7/2011 Chung
- D701,945 S \* 4/2014 Mitsuoka ..... D23/245
- D719,403 S 12/2014 Halioua
- D754,474 S \* 4/2016 Minica ..... D7/397
- D755,348 S \* 5/2016 Mitsuoka ..... D23/233
- D774,163 S \* 12/2016 Solakian ..... D23/213

(Continued)

*Primary Examiner* — Derrick E Holland  
*Assistant Examiner* — Andrew Kerr  
 (74) *Attorney, Agent, or Firm* — Thomas C. Feix; Stacy H. Combs

(57) **CLAIM**

The ornamental design for a spigot, as shown and described.

**DESCRIPTION**

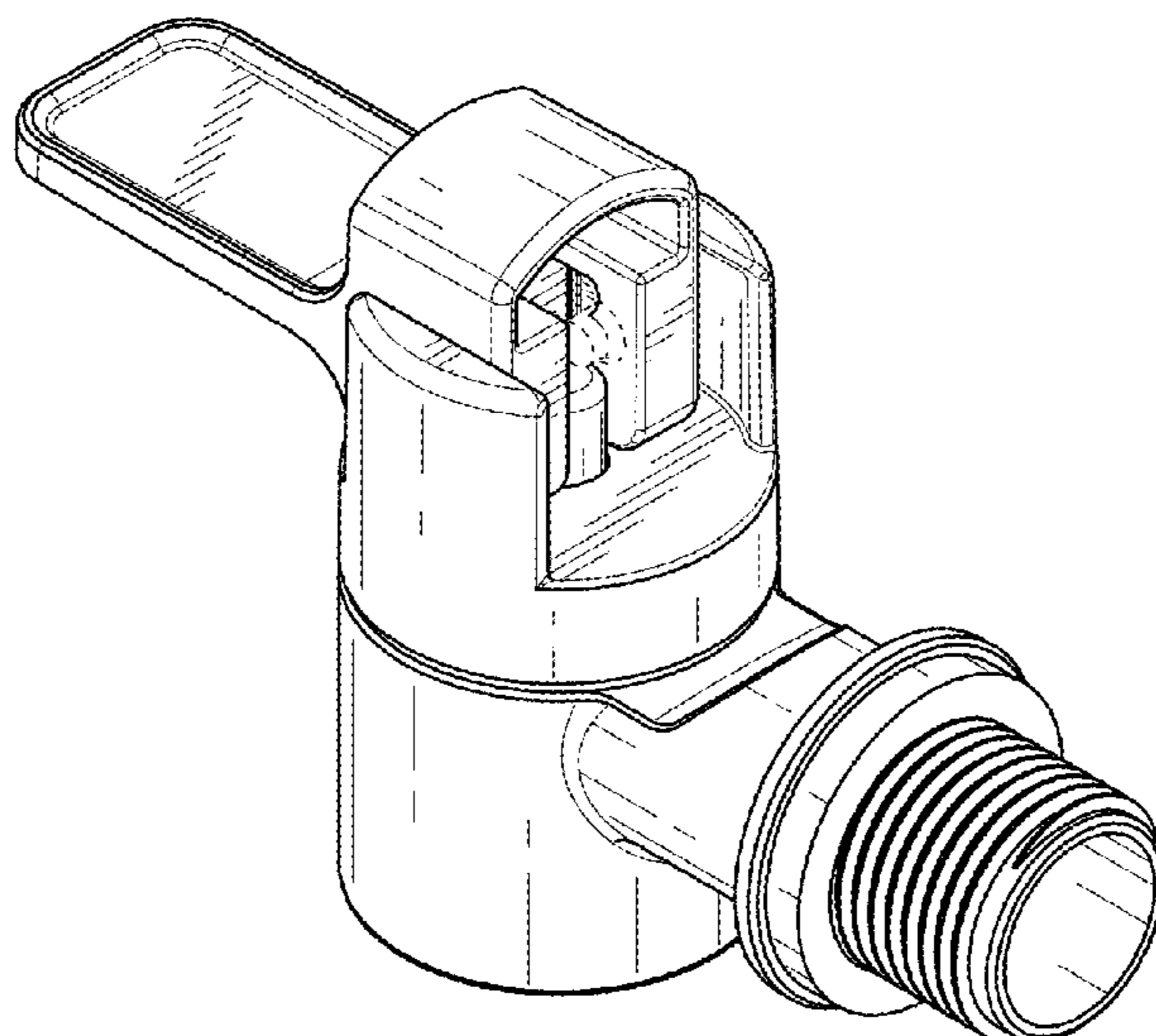
FIG. 1 is a front perspective view of a spigot showing our new design, in an open position;  
 FIG. 2 is a rear perspective view thereof;  
 FIG. 3 is a front view thereof;  
 FIG. 4 is a rear view thereof;  
 FIG. 5 is a right side view thereof;  
 FIG. 6 is a left side view thereof;  
 FIG. 7 is a top view thereof;  
 FIG. 8 is a bottom view thereof;  
 FIG. 9 is a front perspective view in a closed position;  
 FIG. 10 is a rear perspective view thereof;  
 FIG. 11 is a front perspective view thereof shown in an open position, in use condition;  
 FIG. 12 is a front view thereof;  
 FIG. 13 is a rear view thereof;  
 FIG. 14 is a right side view thereof;  
 FIG. 15 is a left side view thereof;  
 FIG. 16 is a top view thereof; and,  
 FIG. 17 is a bottom view thereof.  
 The broken lines showing environmental structure are for illustrative purposes only and form no part of the claimed design.

(56) **References Cited**

U.S. PATENT DOCUMENTS

- 3,104,089 A 9/1963 Seltsam
- 5,275,200 A \* 1/1994 Yamamoto ..... F16K 5/0647  
137/315.18
- D378,400 S 3/1997 Kowalics
- D482,235 S 11/2003 Yui
- D493,331 S 7/2004 Munoz
- 6,880,797 B2 \* 4/2005 Yui ..... F16K 31/52  
251/103
- D506,529 S 6/2005 Roethel
- D525,828 S 8/2006 Daniels, Jr.
- D632,368 S 2/2011 Kolar et al.
- D637,867 S 5/2011 Wang

**1 Claim, 10 Drawing Sheets**



(56)

**References Cited**

U.S. PATENT DOCUMENTS

D798,657 S \* 10/2017 Lin ..... D7/398  
D799,000 S \* 10/2017 Chen ..... D23/213

\* cited by examiner

FIG. 1

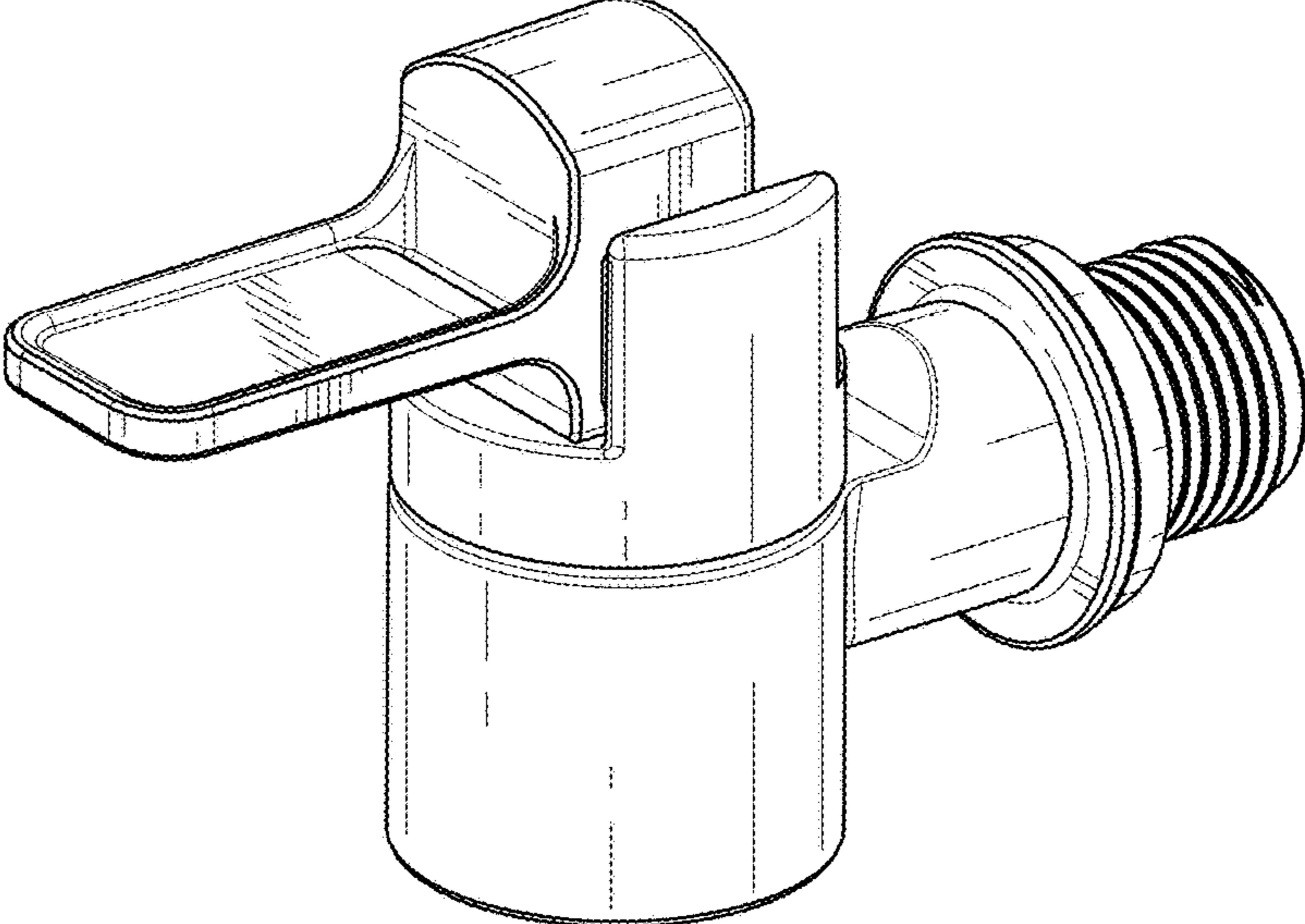
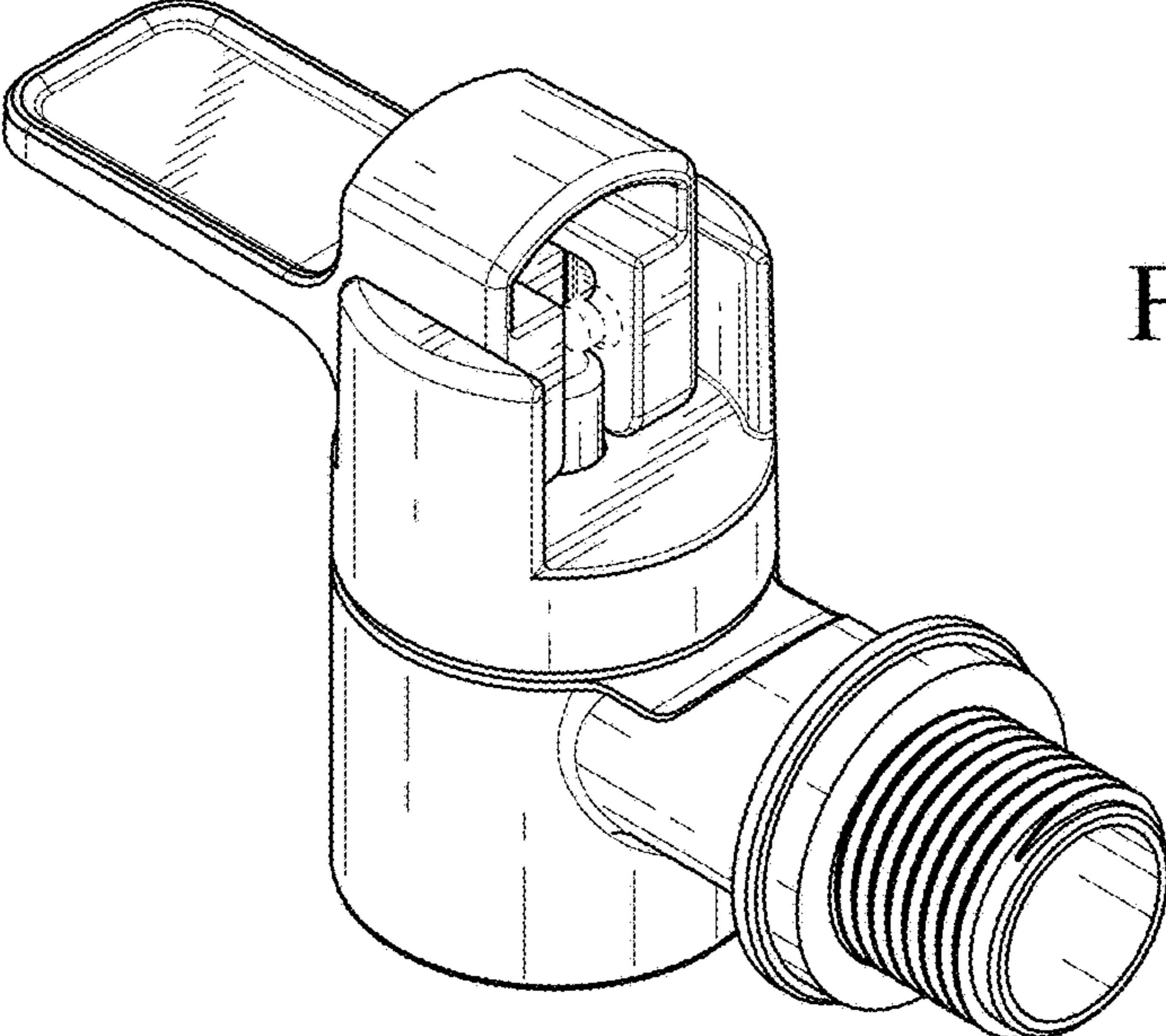


FIG. 2



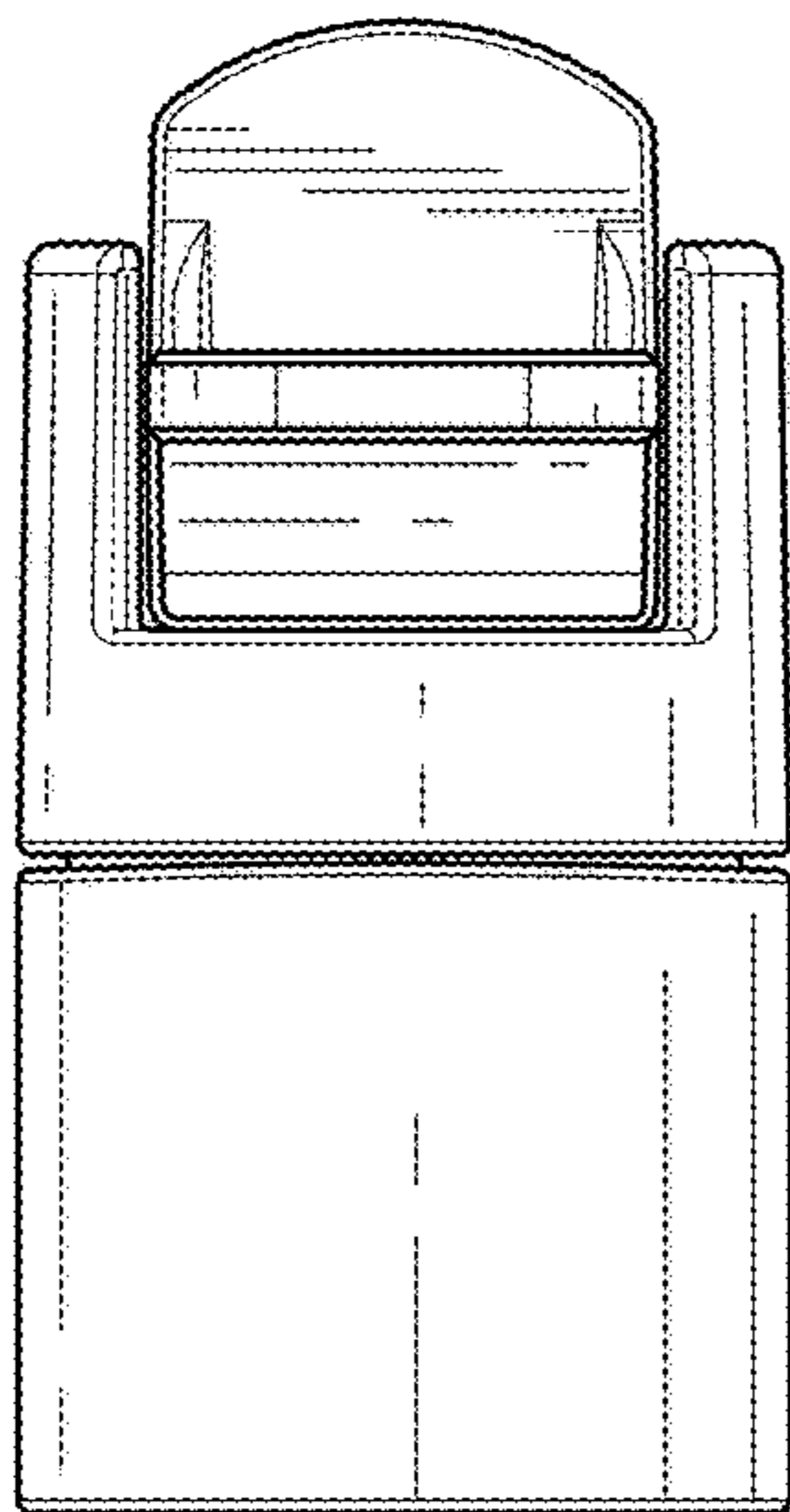


FIG. 3

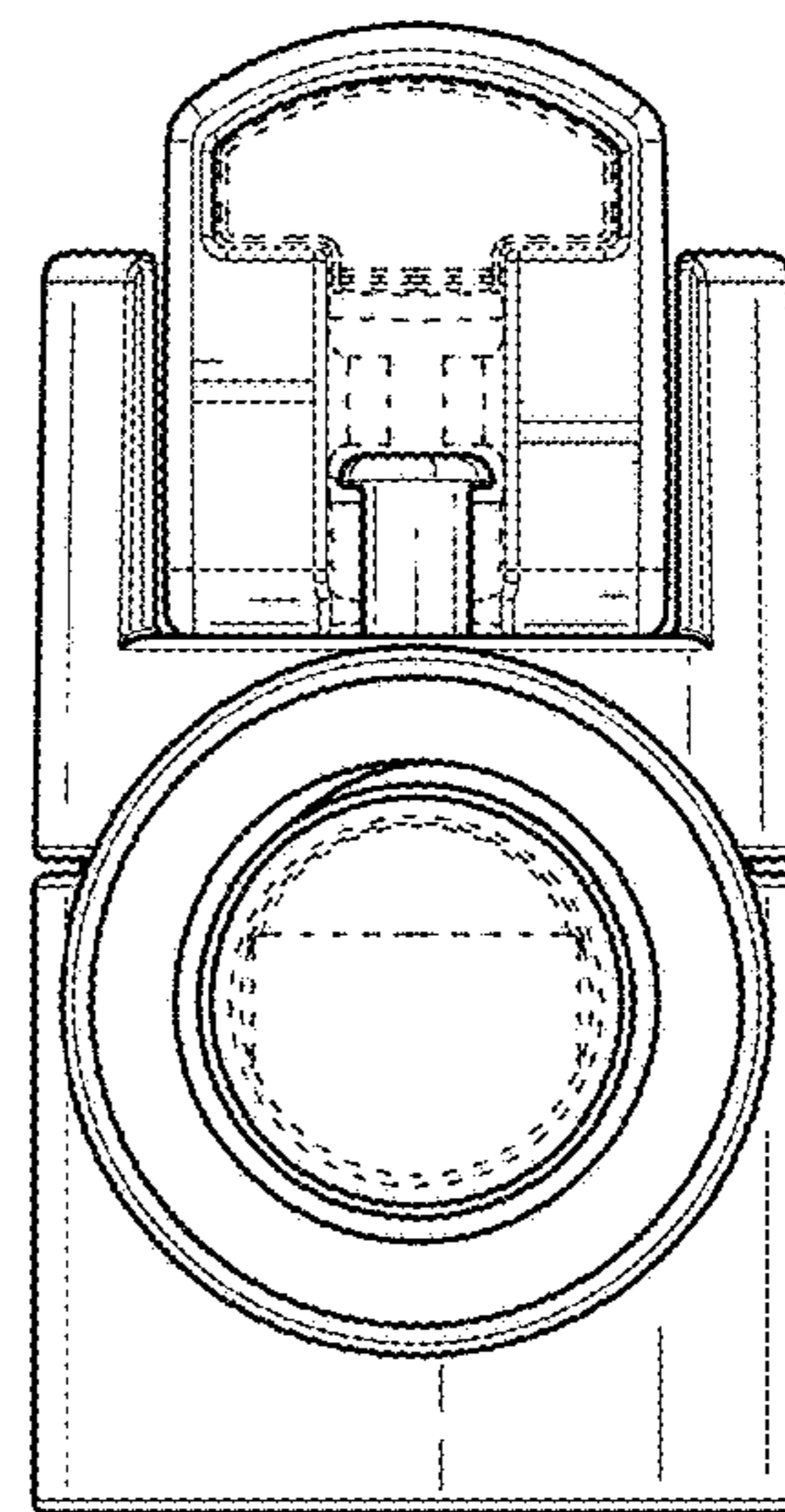


FIG. 4



FIG. 5

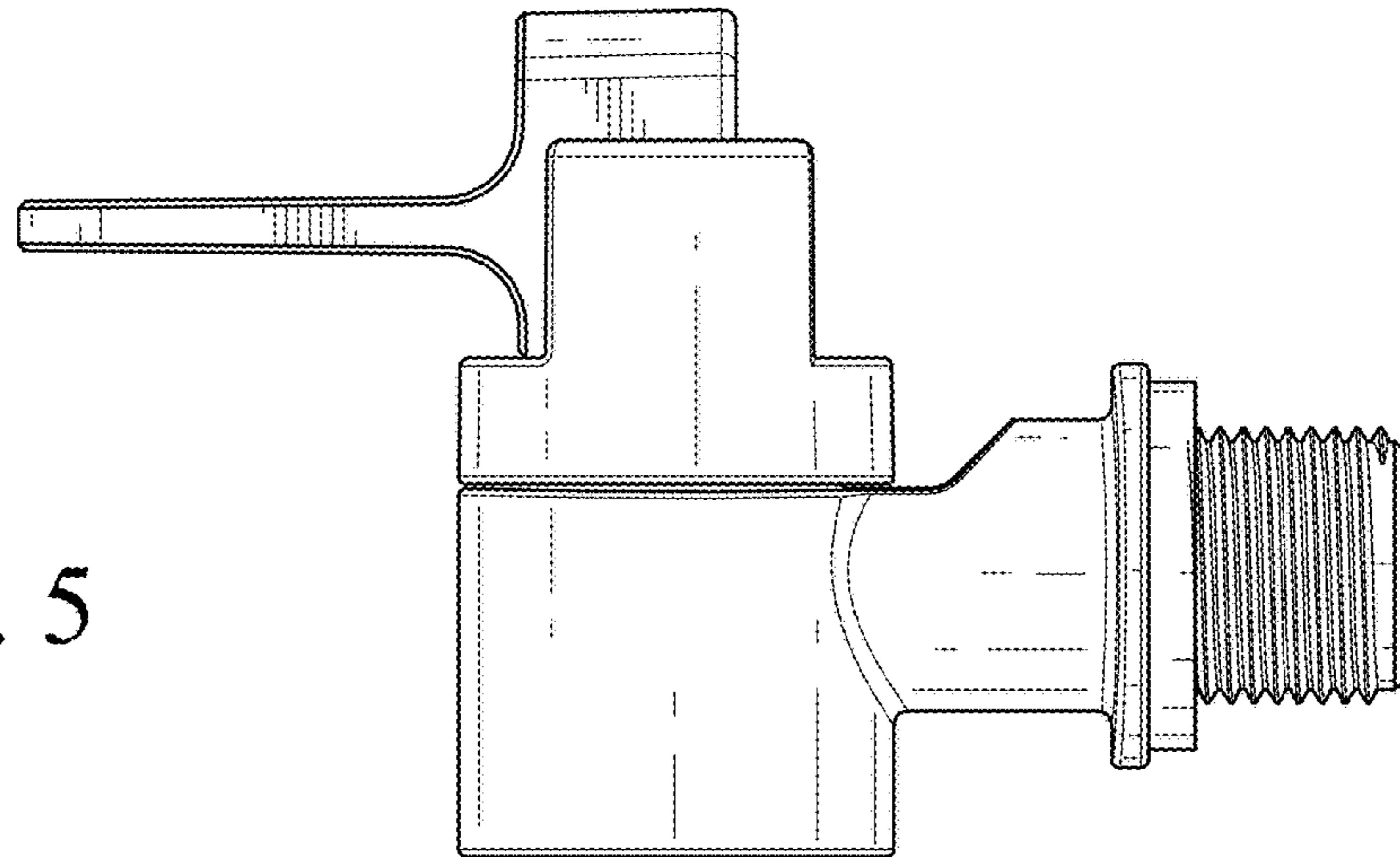
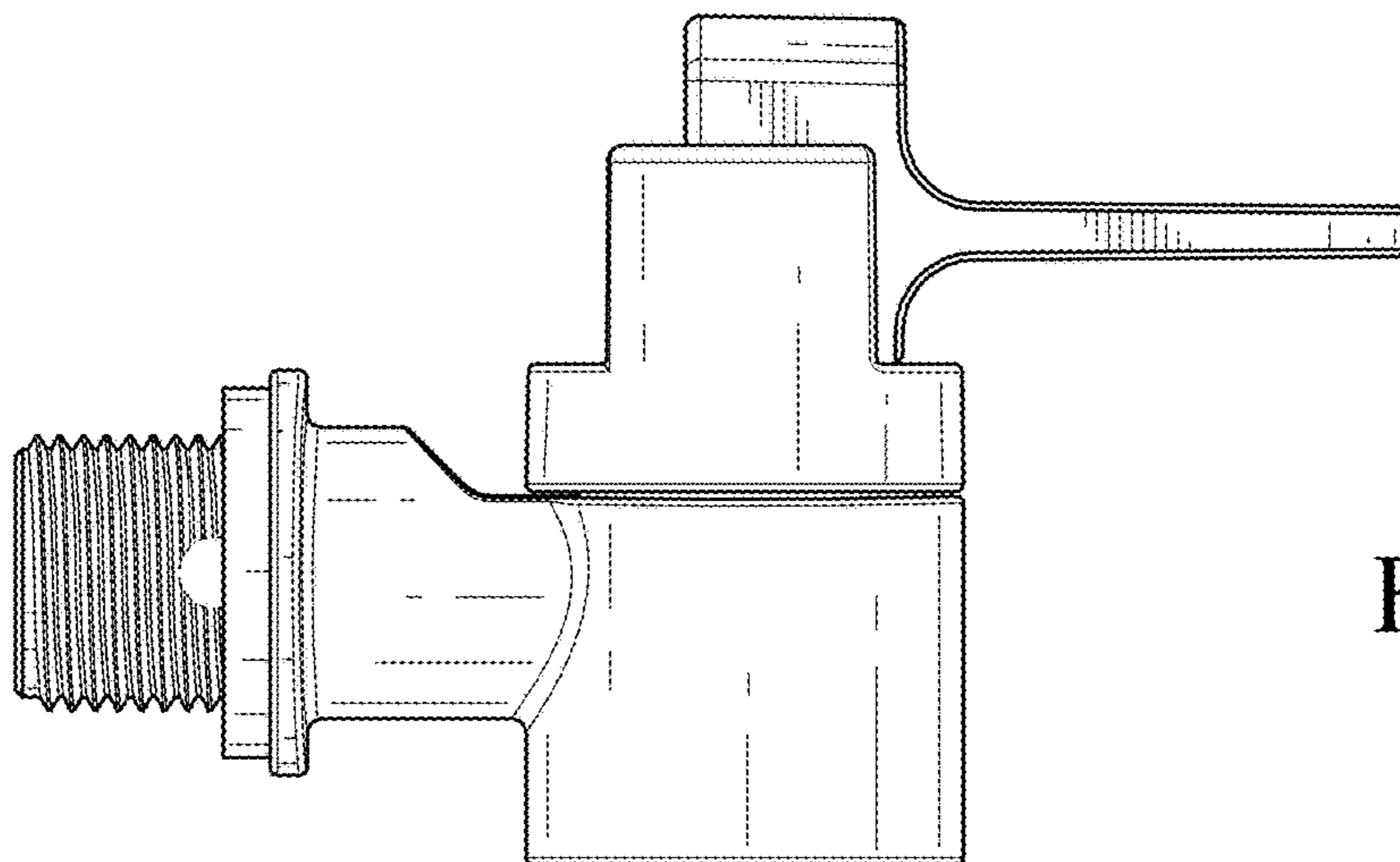


FIG. 6



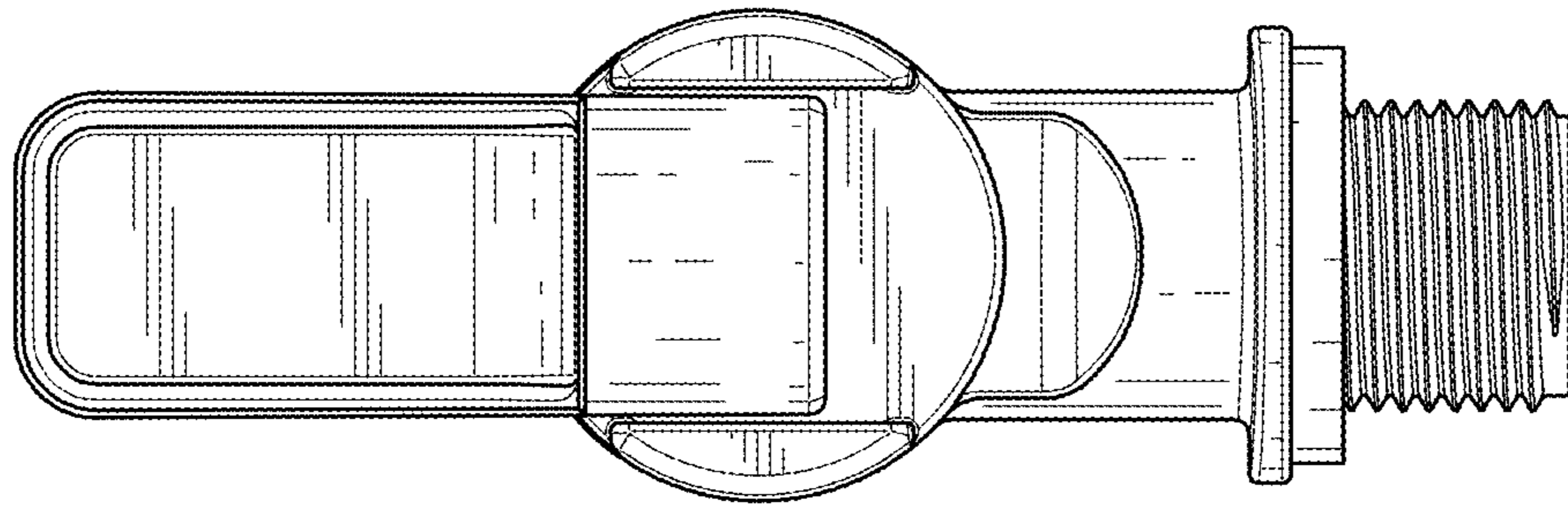


FIG. 7

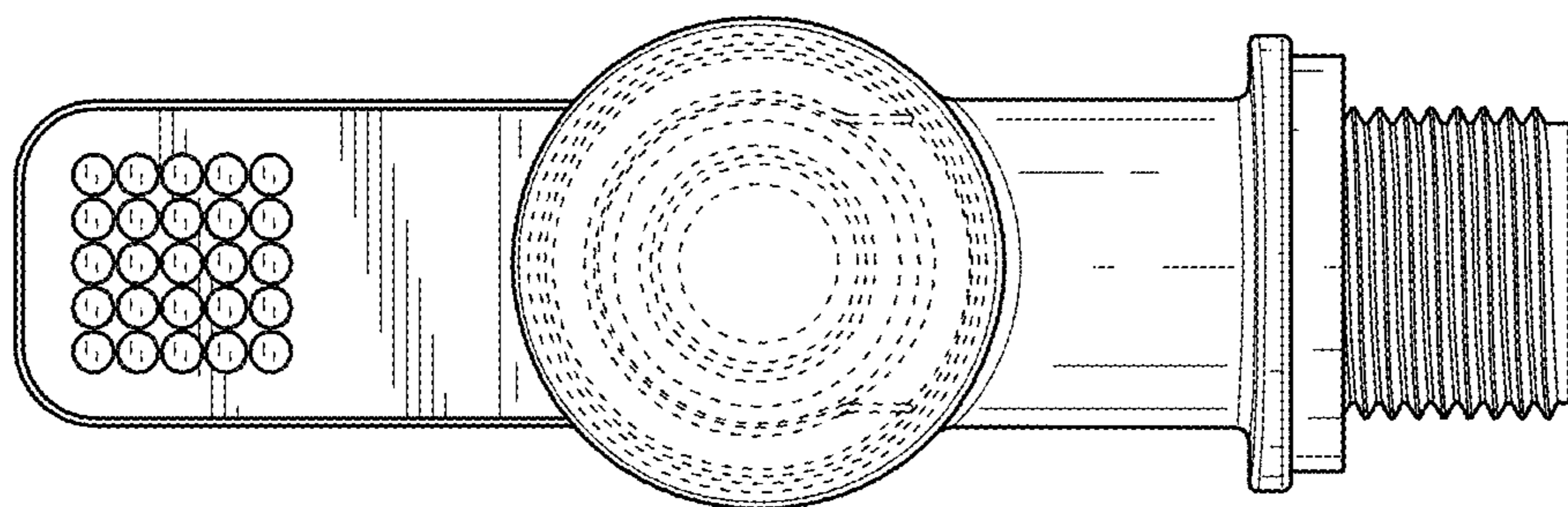


FIG. 8

FIG. 9

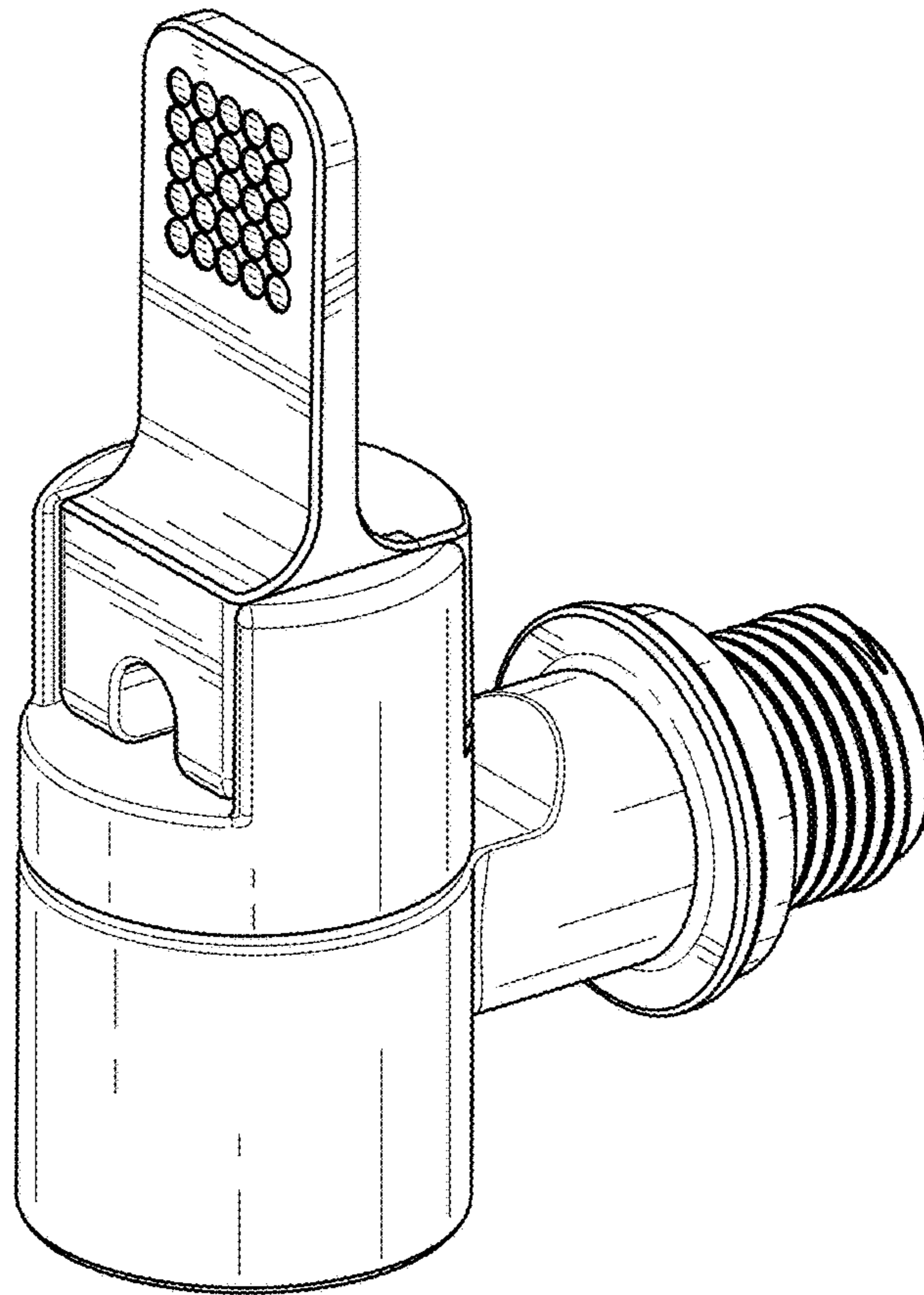
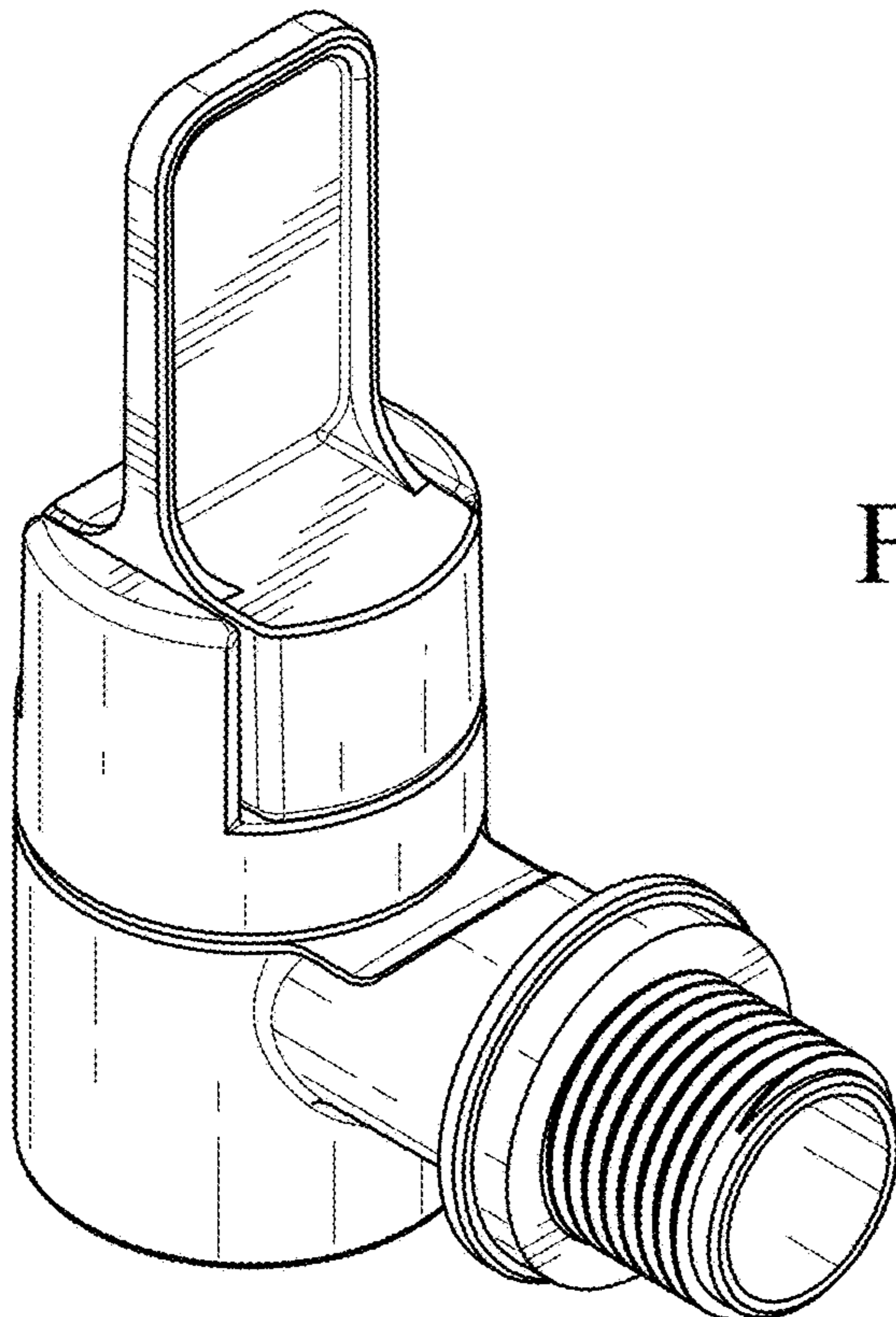


FIG. 10



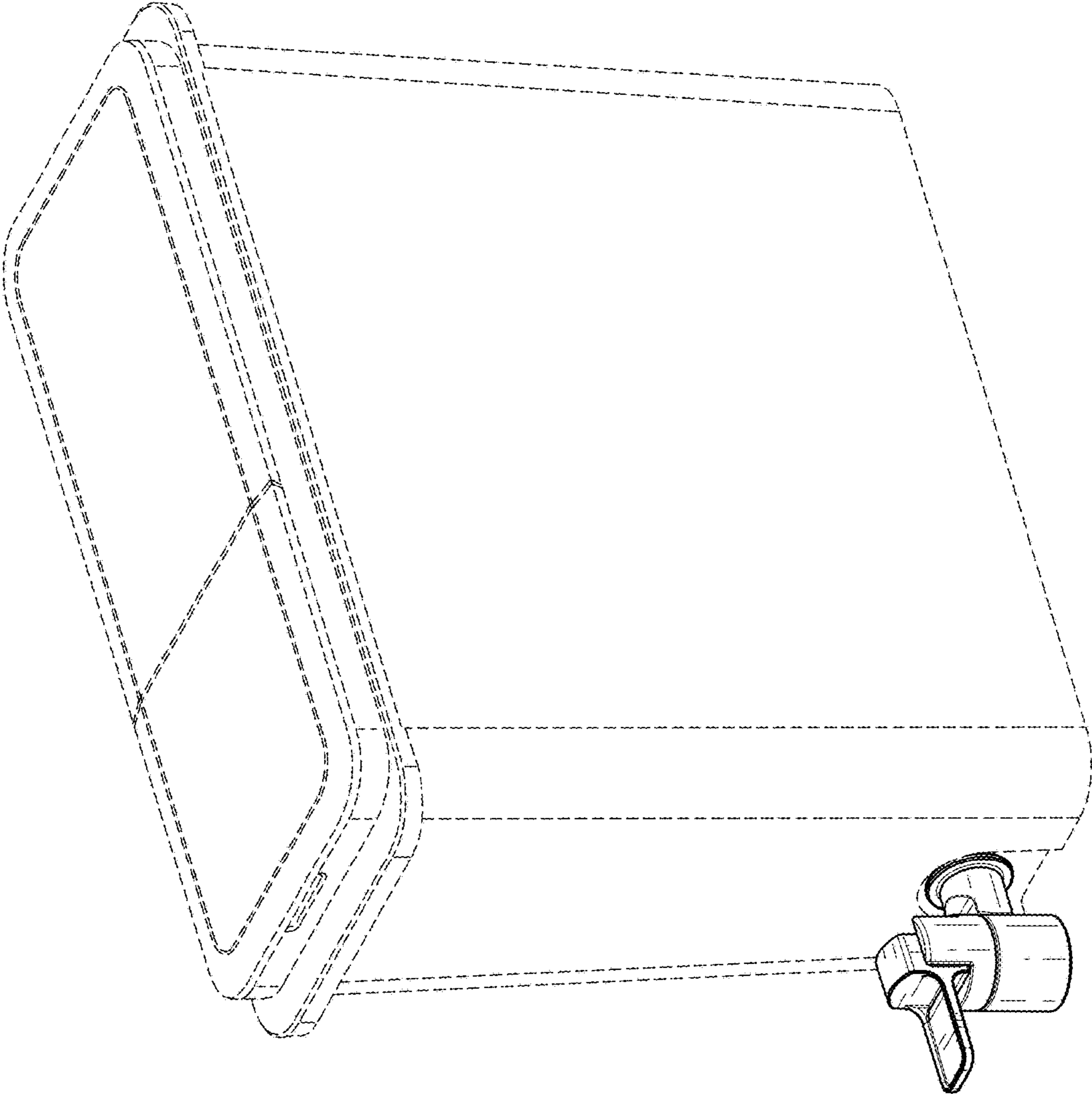


FIG. 11



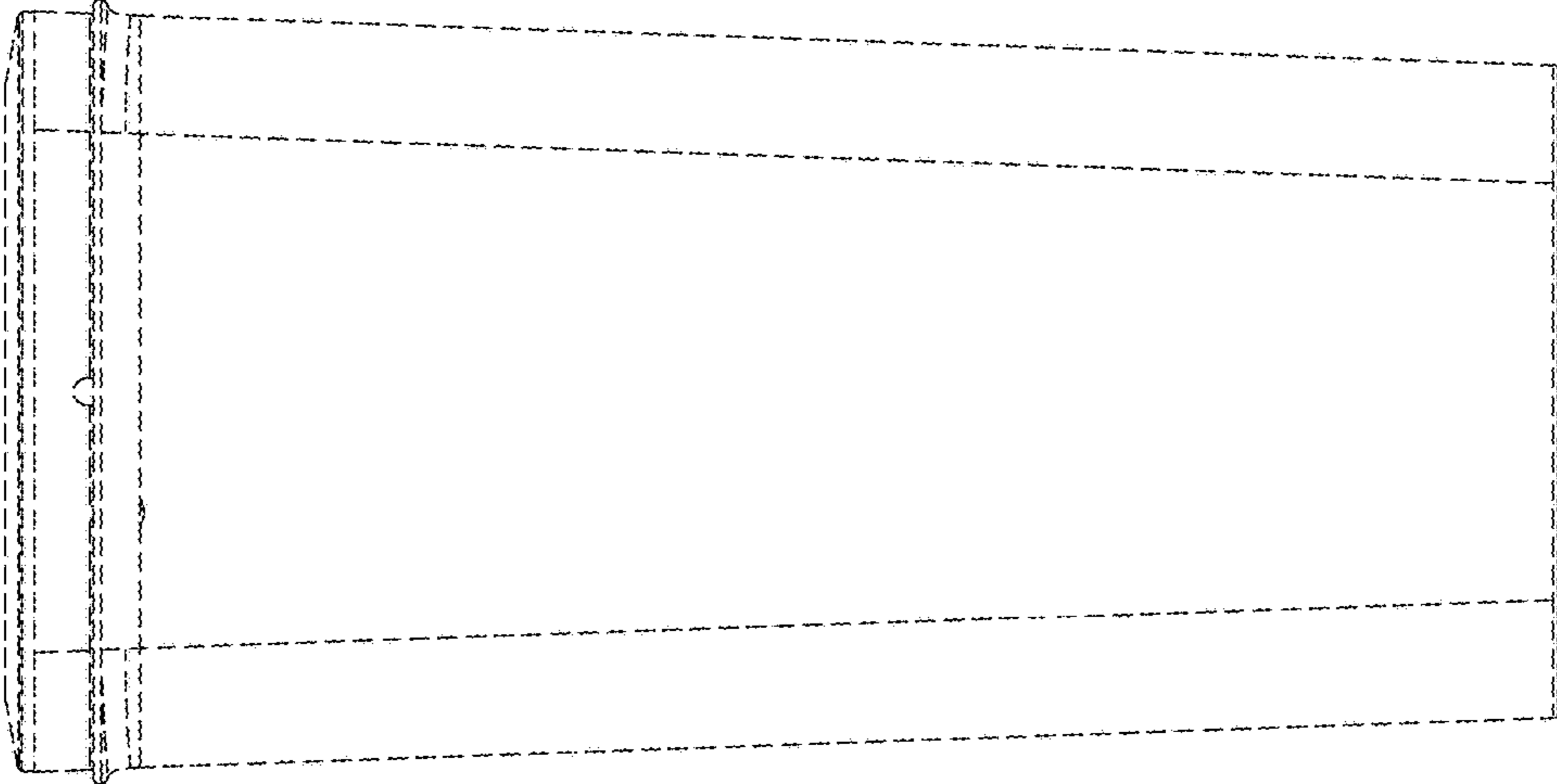


FIG. 13

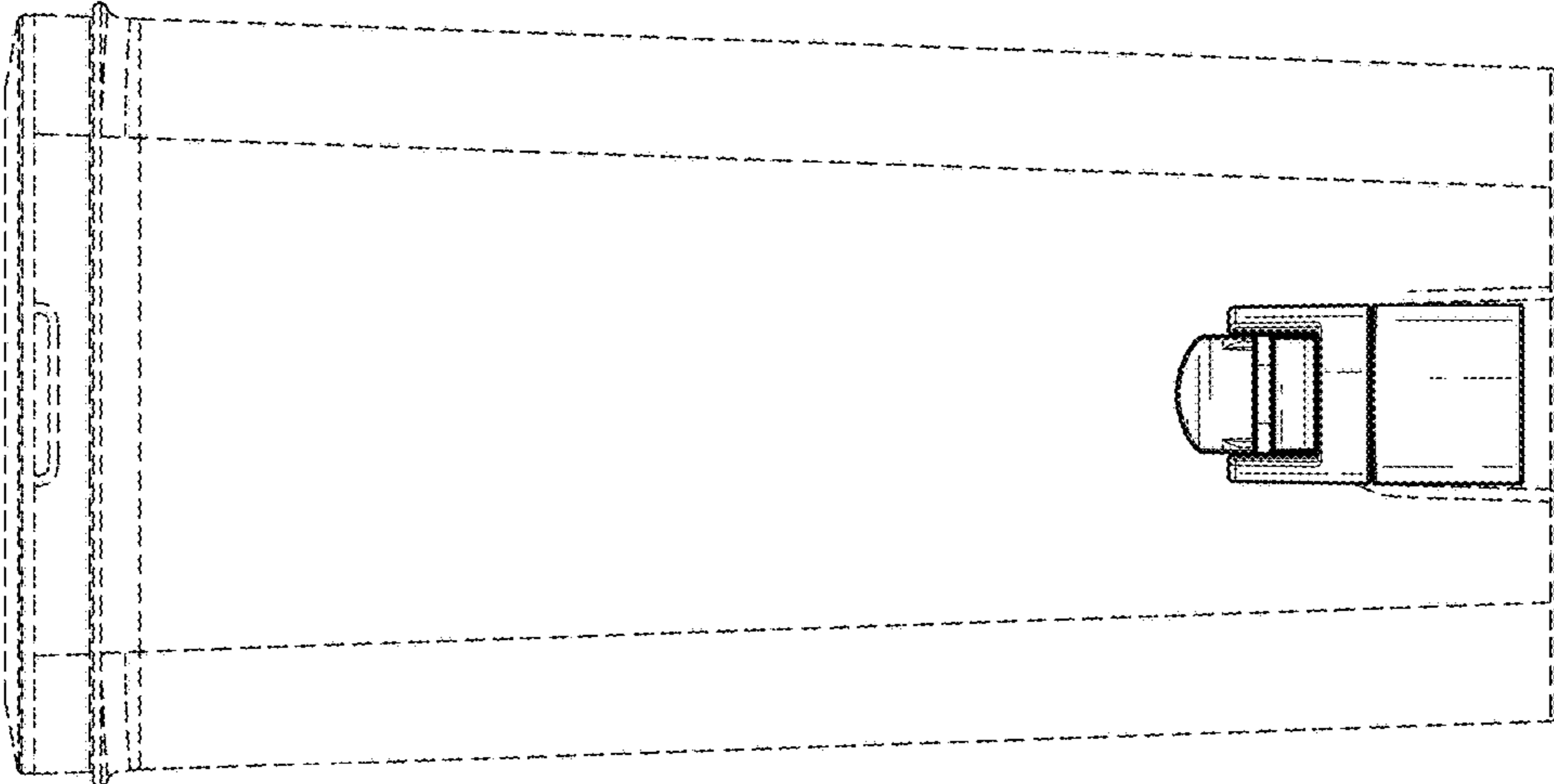


FIG. 12

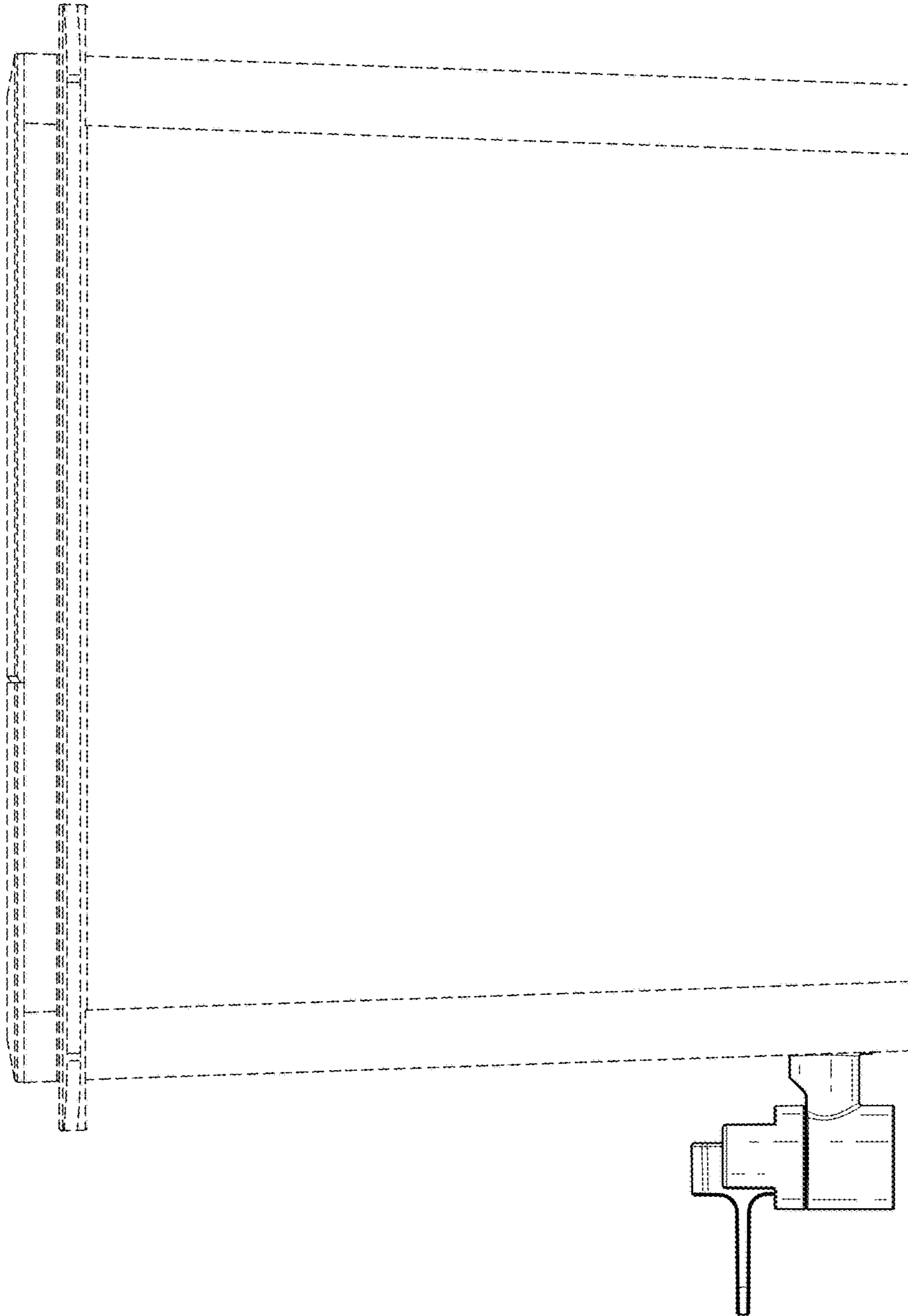


FIG. 14

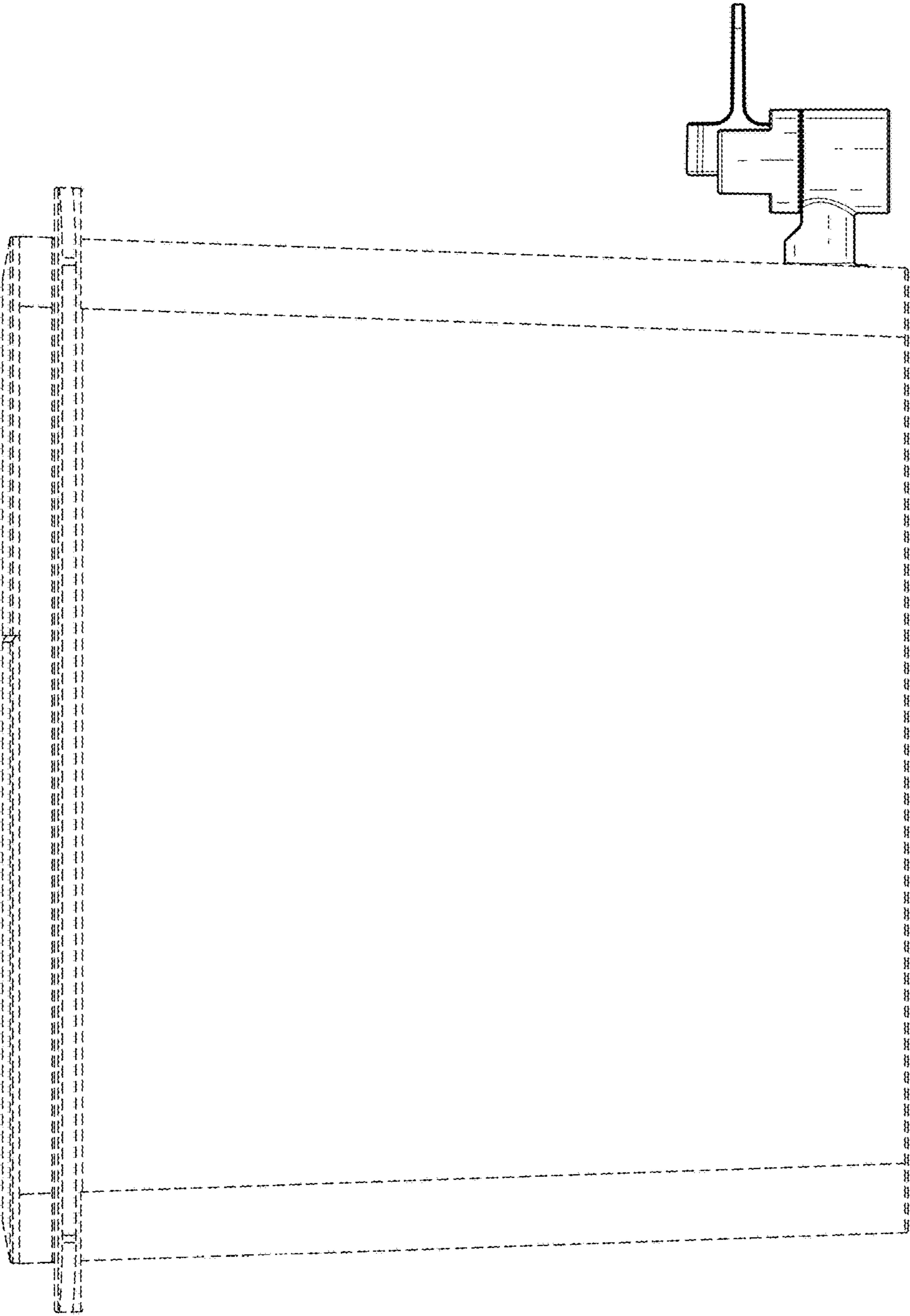


FIG. 15

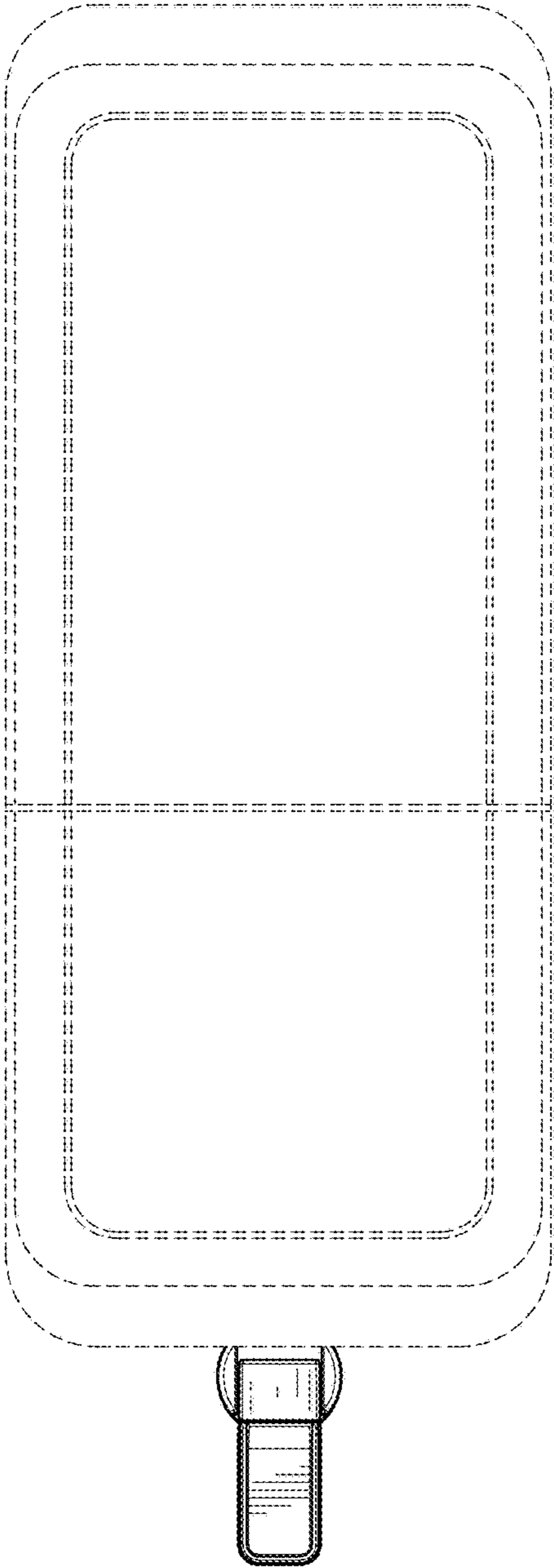


FIG. 16

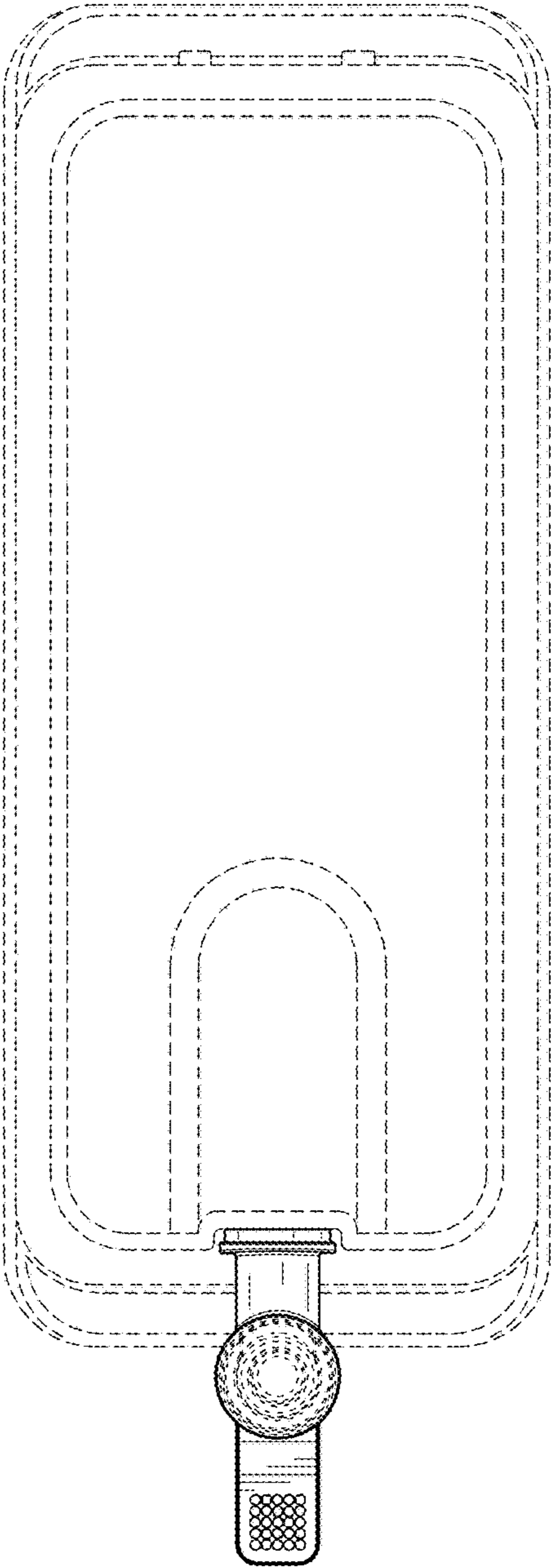


FIG. 17