



US00D843167S

(12) **United States Design Patent**  
**Wilson**

(10) **Patent No.:** **US D843,167 S**  
(45) **Date of Patent:** **\*\* Mar. 19, 2019**

- (54) **LID FOR A DRINKING CUP**
- (71) Applicant: **Palm Consolidated Pty. Ltd.,**  
Moorabbin VIC (AU)
- (72) Inventor: **Robert Wilson,** Moorabbin (AU)
- (73) Assignee: **Palm Consolidated Pty. Ltd.,**  
Moorabbin, Victoria (AU)
- (\*\*) Term: **15 Years**
- (21) Appl. No.: **29/573,685**
- (22) Filed: **Aug. 9, 2016**
- (30) **Foreign Application Priority Data**

- Feb. 10, 2016 (AU) ..... 201610669
- (51) **LOC (11) Cl.** ..... **07-99**
- (52) **U.S. Cl.**  
USPC ..... **D7/396.2**
- (58) **Field of Classification Search**  
USPC ..... D3/302; D7/300, 300.1, 313, 314, 316,  
D7/387, 393, 396.1, 392.2, 396.2, 397,  
D7/398, 401.1, 436, 509, 510, 511, 523,  
D7/525, 526, 527, 528, 538, 602, 619.1,  
D7/900; D9/434, 435, 436, 437, 438,  
D9/440, 443, 445, 446, 447, 448, 449,  
D9/452, 453, 454, 686, 688, 690, 723,  
D9/724, 763, 772; D28/76, 78, 82  
CPC ..... A47G 19/2205; A47G 19/2222; A47G  
19/2266; A47G 19/2272; A47G 19/2294;  
B65D 39/00; B65D 39/0005; B65D  
39/02; B65D 39/08; B65D 39/14; B65D  
39/19; B65D 41/00; B65D 41/02; B65D  
41/005; B65D 41/023; B65D 41/026;  
B65D 41/0414; B65D 41/0421; B65D  
41/0428; B65D 41/0471; B65D 41/0485;  
B65D 41/0492; B65D 41/16; B65D  
41/17; B65D 41/26; B65D 41/32; B65D  
41/34; B65D 50/00; B65D 50/041; B65D  
53/00; B65D 53/02; B65D 53/04; B65D  
55/02; B65D 55/024; B65D 43/02; B65D

43/14; B65D 43/26; B65D 43/0202;  
B65D 51/18; B65D 51/28; B65D  
51/2821; B65D 51/2814; B65D  
2251/0018; B65D 2251/0081; B65D  
(Continued)

(56) **References Cited**

U.S. PATENT DOCUMENTS

D505,327 S \* 5/2005 Bakic ..... D9/449  
D553,983 S \* 10/2007 Bunce ..... D9/447  
(Continued)

FOREIGN PATENT DOCUMENTS

EP 2767484 A1 \* 8/2014 ..... B65D 43/0212

*Primary Examiner* — Jennifer Rivard

*Assistant Examiner* — Catherine S Posthauer

(74) *Attorney, Agent, or Firm* — Stevens & Showalter  
LLP

(57) **CLAIM**

The ornamental design for a lid for a drinking cup, as shown and described.

**DESCRIPTION**

FIG. 1 is a top perspective view of the lid for a drinking cup shown in an assembled and closed position and taken from the rear middle side thereof;

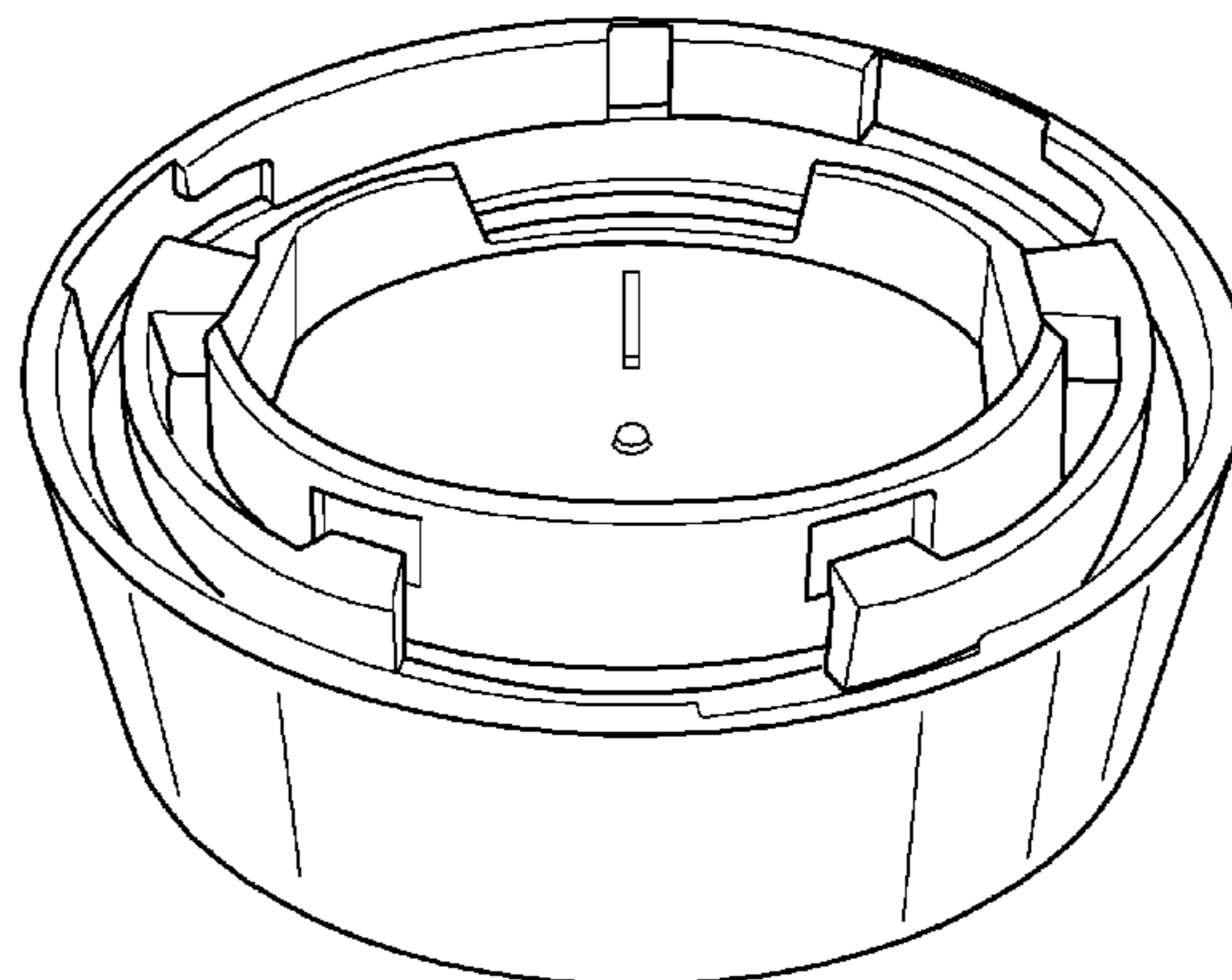
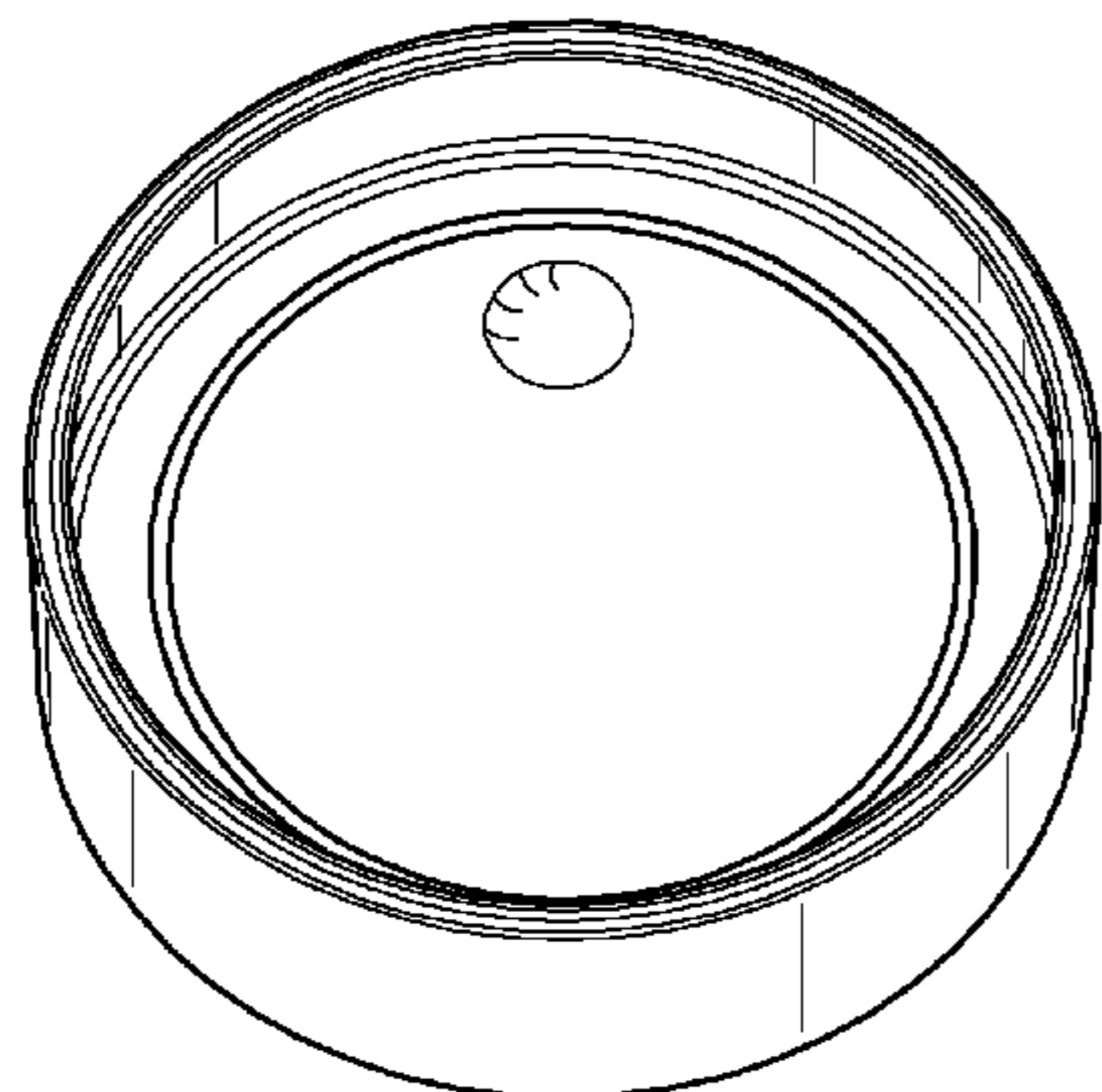
FIG. 2 is a top perspective view of the lid for a drinking cup shown in an assembled and open position and taken from the rear middle side thereof;

FIG. 3 is a bottom perspective view of the lid for a drinking cup shown in an assembled and open position and taken from the rear middle side thereof;

FIG. 4 is a top plan view of the lid for a drinking cup shown in an assembled and closed position;

FIG. 5 is a bottom plan view of the lid for a drinking cup shown in an assembled and closed position; and,

(Continued)





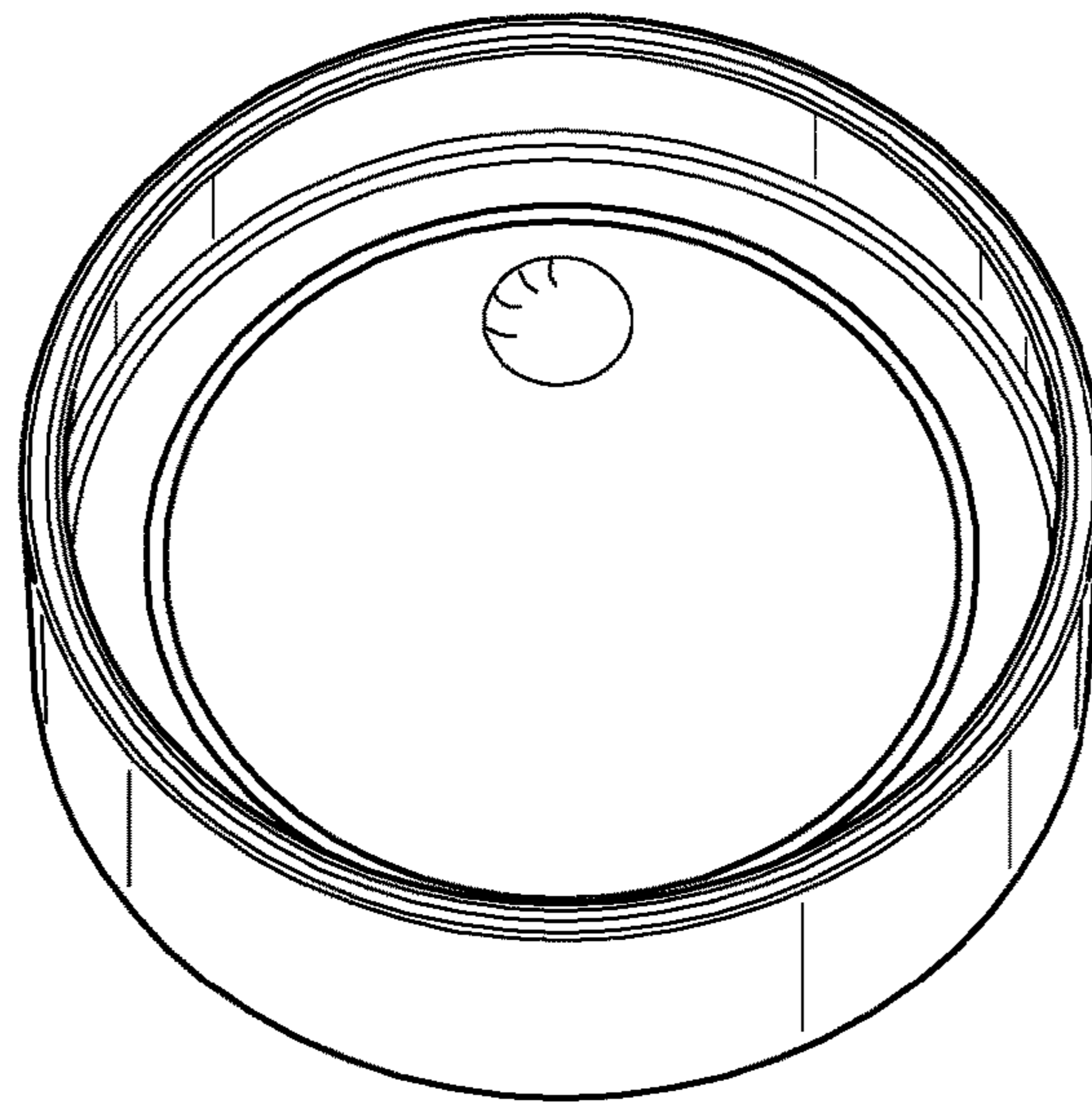


FIGURE 1

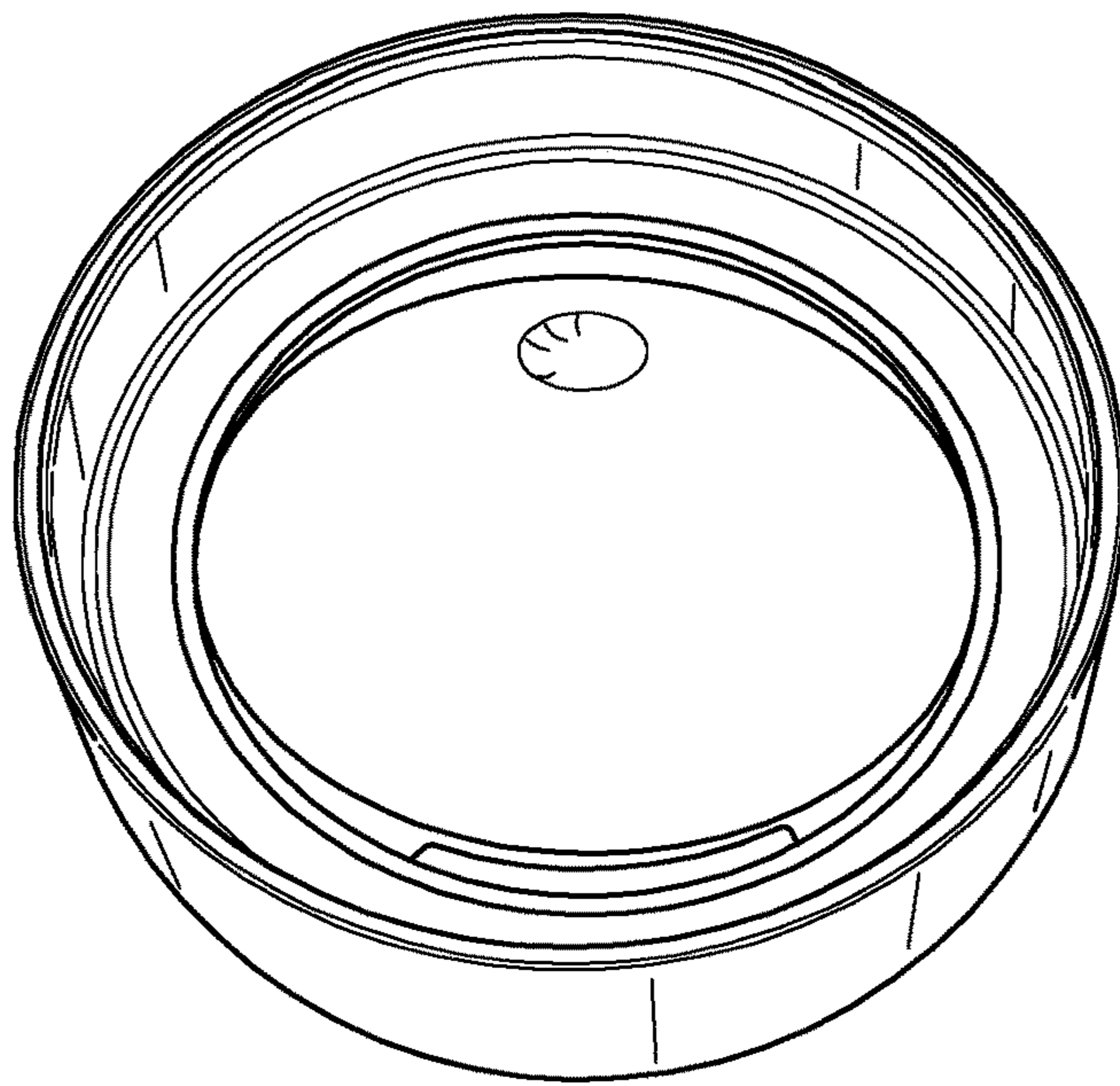


FIGURE 2

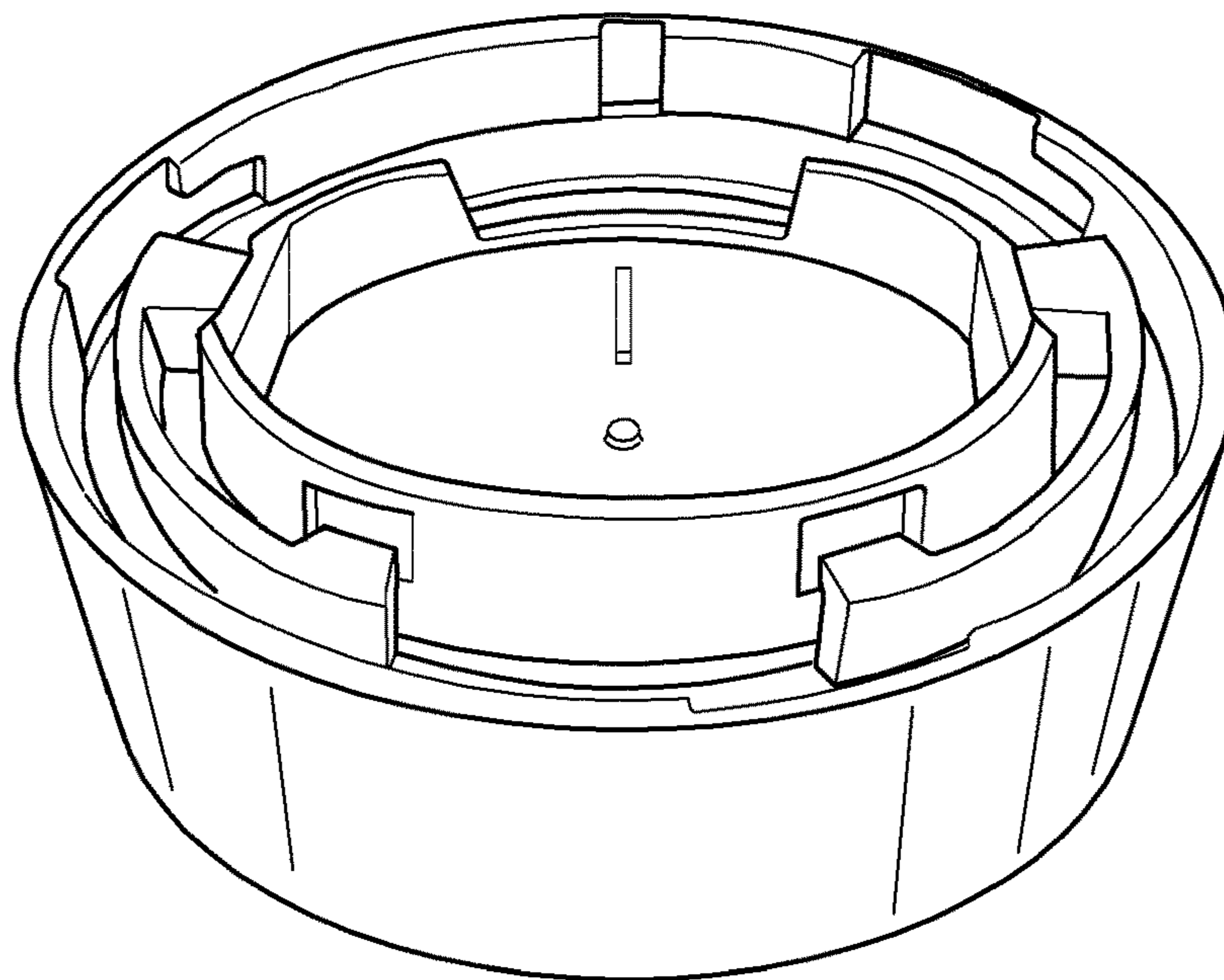


FIGURE 3

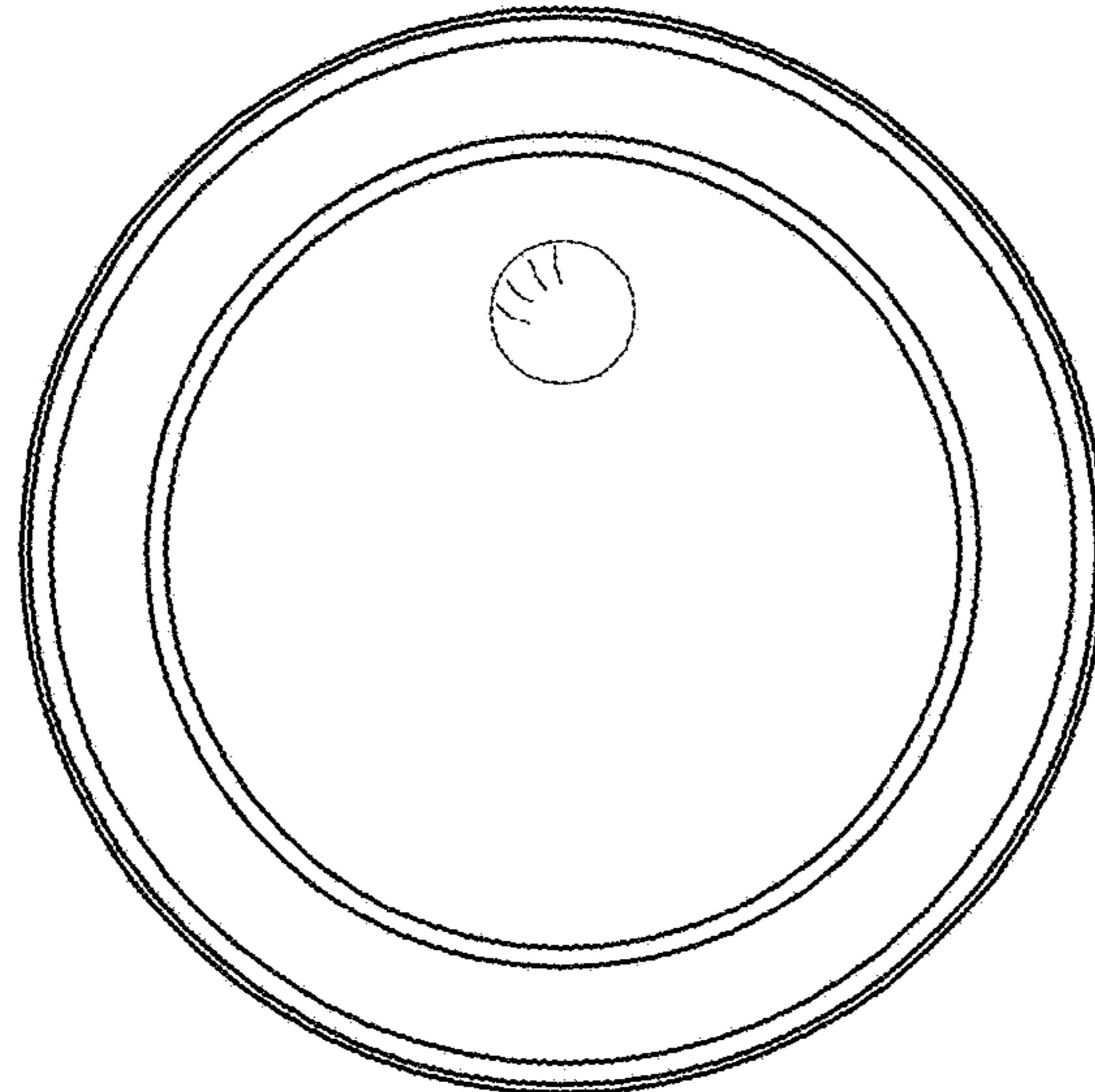


FIGURE 4

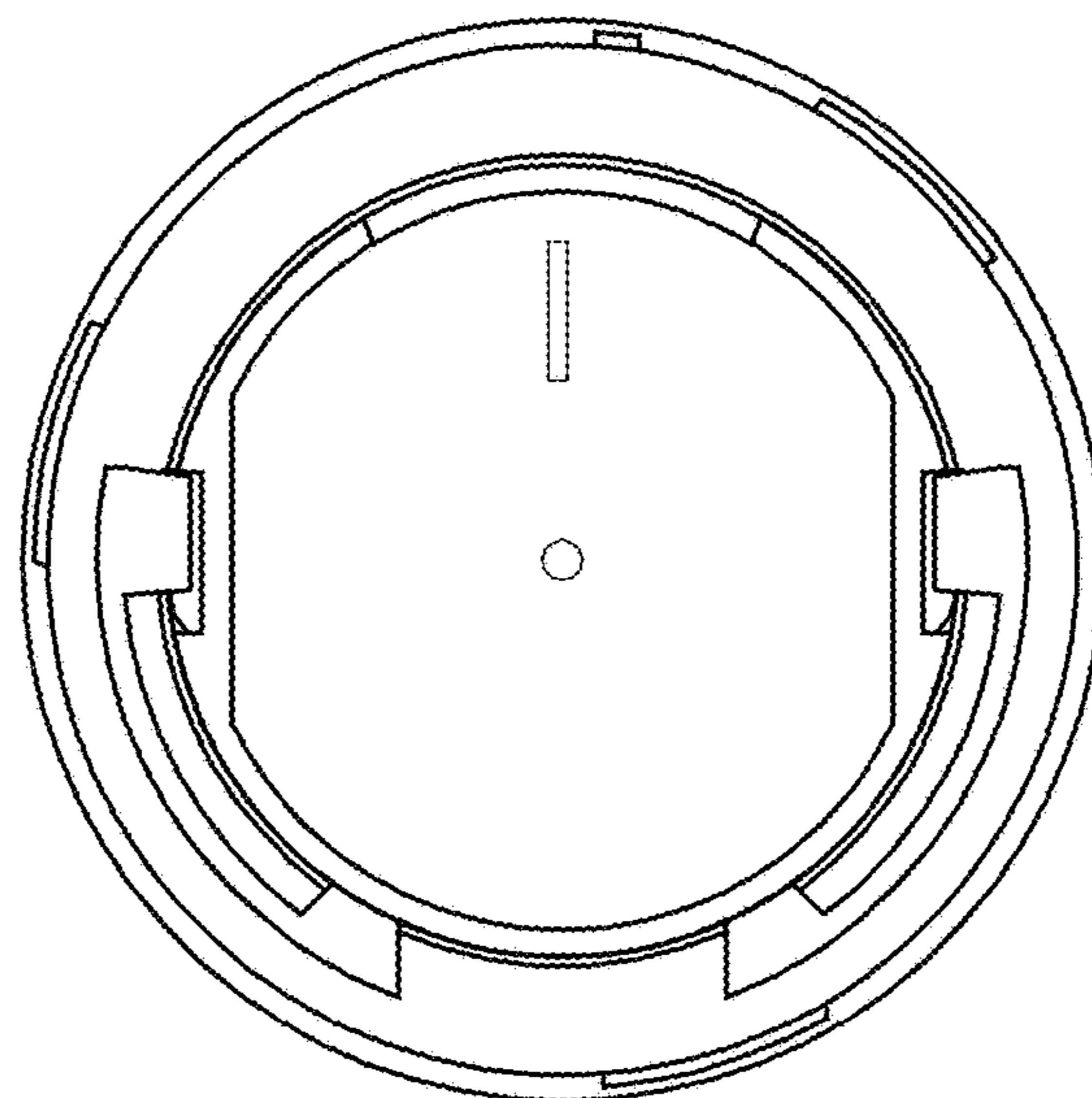


FIGURE 5

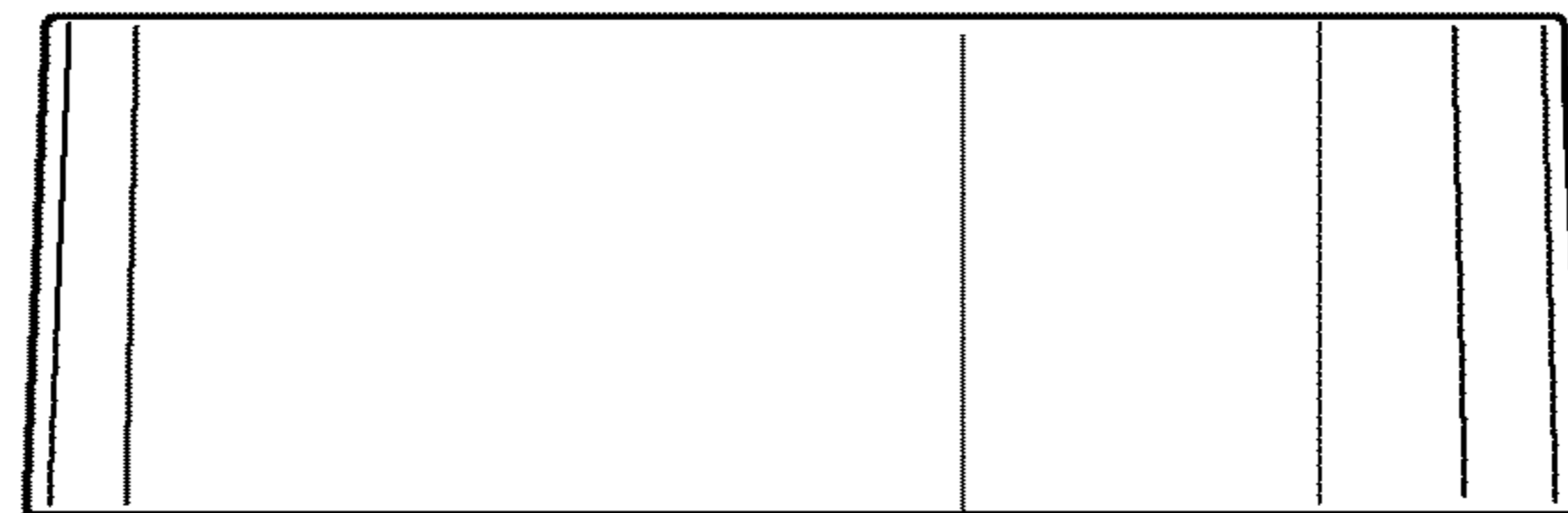


FIGURE 6