



US00D843166S

(12) **United States Design Patent** (10) **Patent No.:** **US D843,166 S**
Barberi (45) **Date of Patent:** **** Mar. 19, 2019**

(54) **CLOSED COOKWARE SIDE HANDLE**
(71) Applicant: **Meyer Intellectual Properties Limited,**
Kowloon (HK)
(72) Inventor: **Philip D. Barberi,** Vallejo, CA (US)
(73) Assignee: **Meyer Intellectual Properties Limited**
(VG)
(**) Term: **15 Years**
(21) Appl. No.: **29/633,799**
(22) Filed: **Jan. 16, 2018**
(51) **LOC (11) Cl.** **07-02**
(52) **U.S. Cl.**
USPC **D7/394**
(58) **Field of Classification Search**
USPC D7/354–361, 393–395, 401.2, 664;
D8/107, 300, 303, 307, 313, 321
CPC A47J 45/06; A47J 45/061; A47J 45/62; A47J
45/071; A47J 45/072; A47J 45/08; A47J
45/085
See application file for complete search history.

D516,377 S * 3/2006 Plichon D7/394
D555,423 S * 11/2007 Hoff D7/393
D617,138 S * 6/2010 Munari D7/394
D680,806 S * 4/2013 Munari D7/394
D683,582 S * 6/2013 Rae D7/394
D729,000 S * 5/2015 Barberi D7/394
D809,859 S * 2/2018 Munari D7/394

* cited by examiner

Primary Examiner — Cynthia M. Chin

(74) *Attorney, Agent, or Firm* — Edward S. Sherman

(57) **CLAIM**

The ornamental design for a closed cookware side handle, as shown and described.

DESCRIPTION

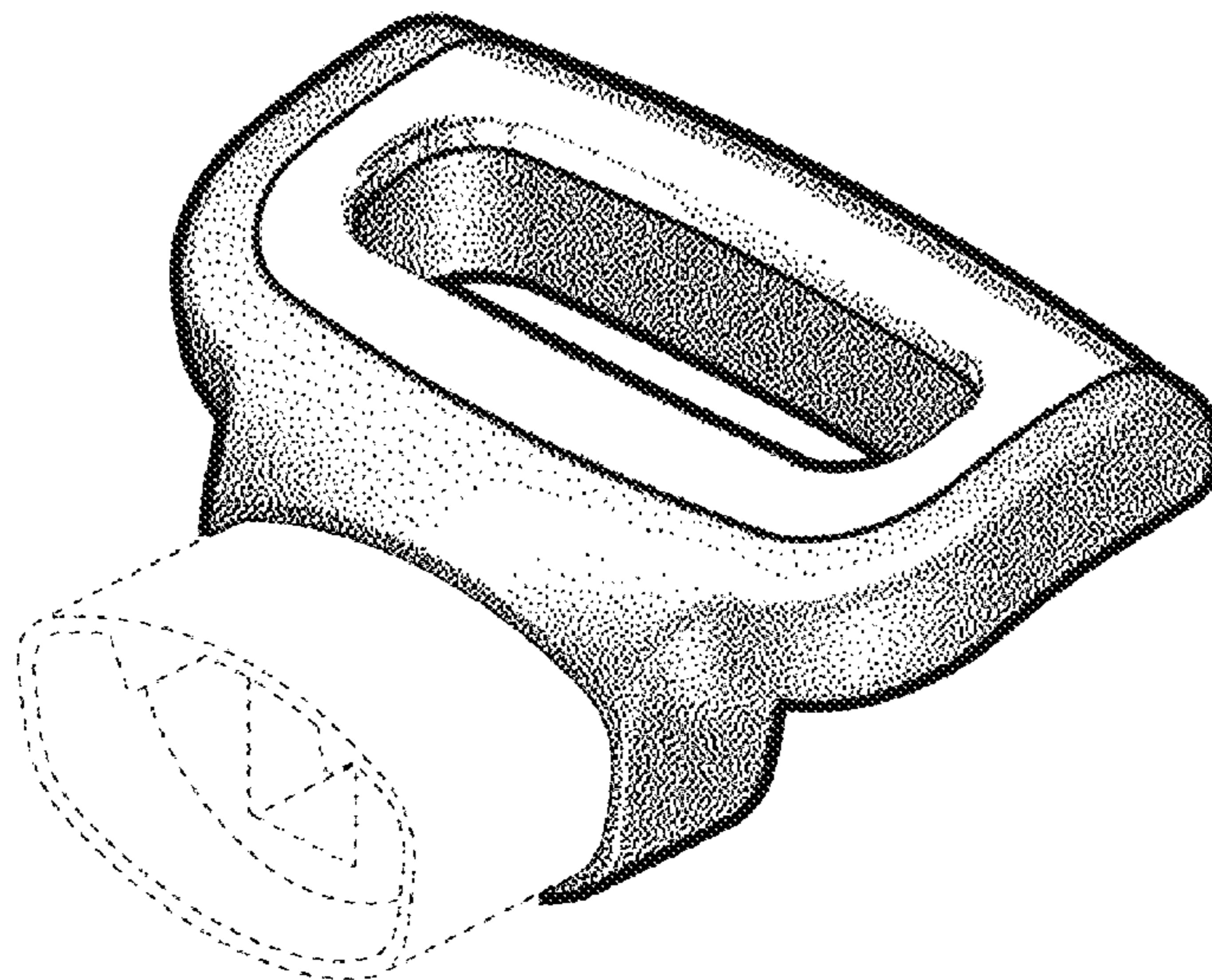
FIG. 1 is a perspective view of the “closed cookware side handle”, showing my new design;
FIG. 2 is a right side elevation view thereof; the left side elevation view being the mirror image thereof,
FIG. 3 is a top plan view thereof;
FIG. 4 is a bottom plan view thereof;
FIG. 5 is a front elevation view thereof;
FIG. 6 is a back elevation view thereof; and,
FIG. 7 is a cross-sectional elevation corresponding to the view in FIG. 2, taken at section line 7-7 in FIG. 3.
The broken lines are for the purpose of illustrating portions of the handle that form no part of the claimed design.

1 Claim, 4 Drawing Sheets

(56) **References Cited**

U.S. PATENT DOCUMENTS

D344,432 S * 2/1994 Welch D7/393
D395,376 S * 6/1998 Montgelard D7/393
D448,972 S * 10/2001 Knorr D7/393
D496,557 S * 9/2004 Munari D7/394



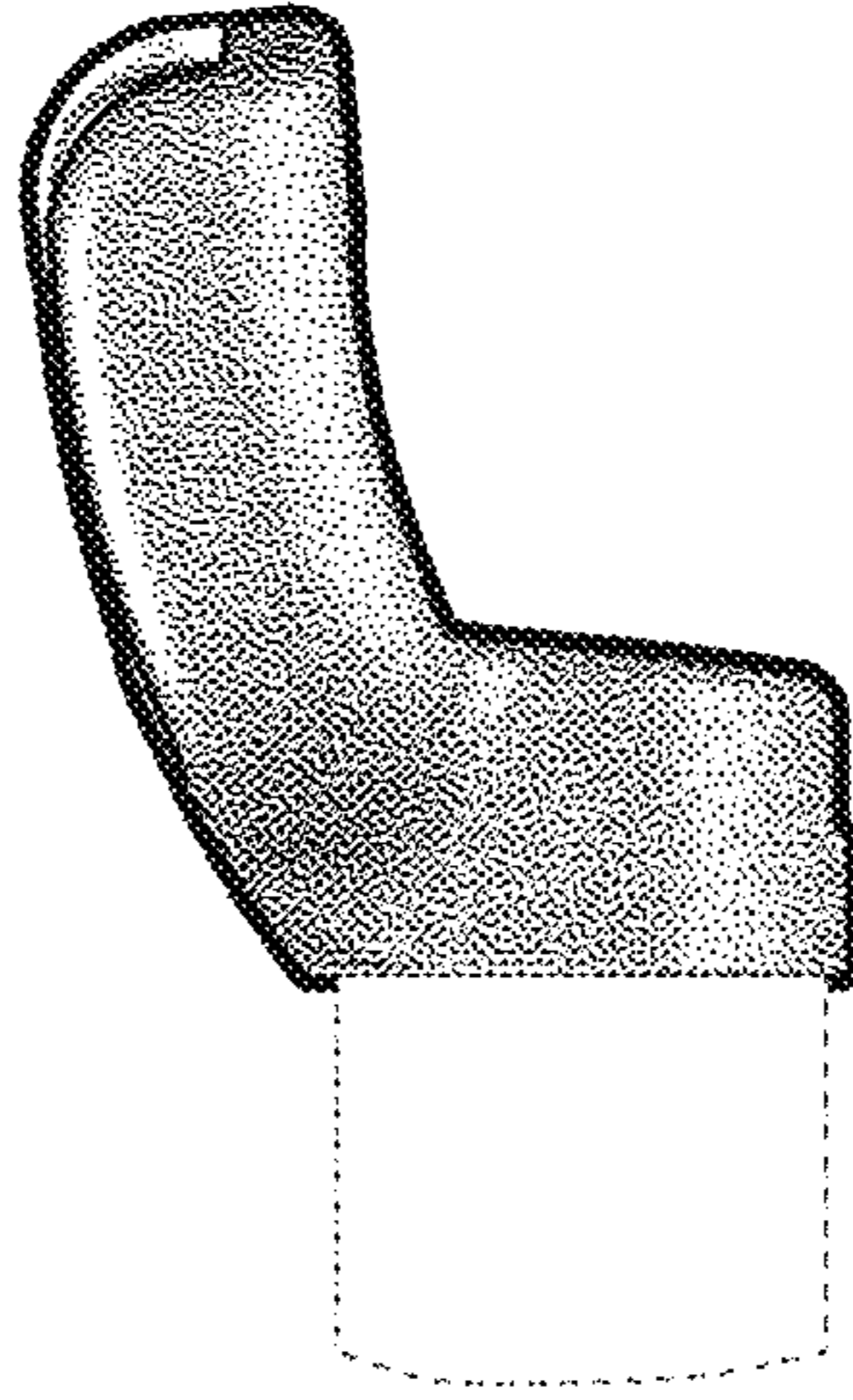


FIG. 2

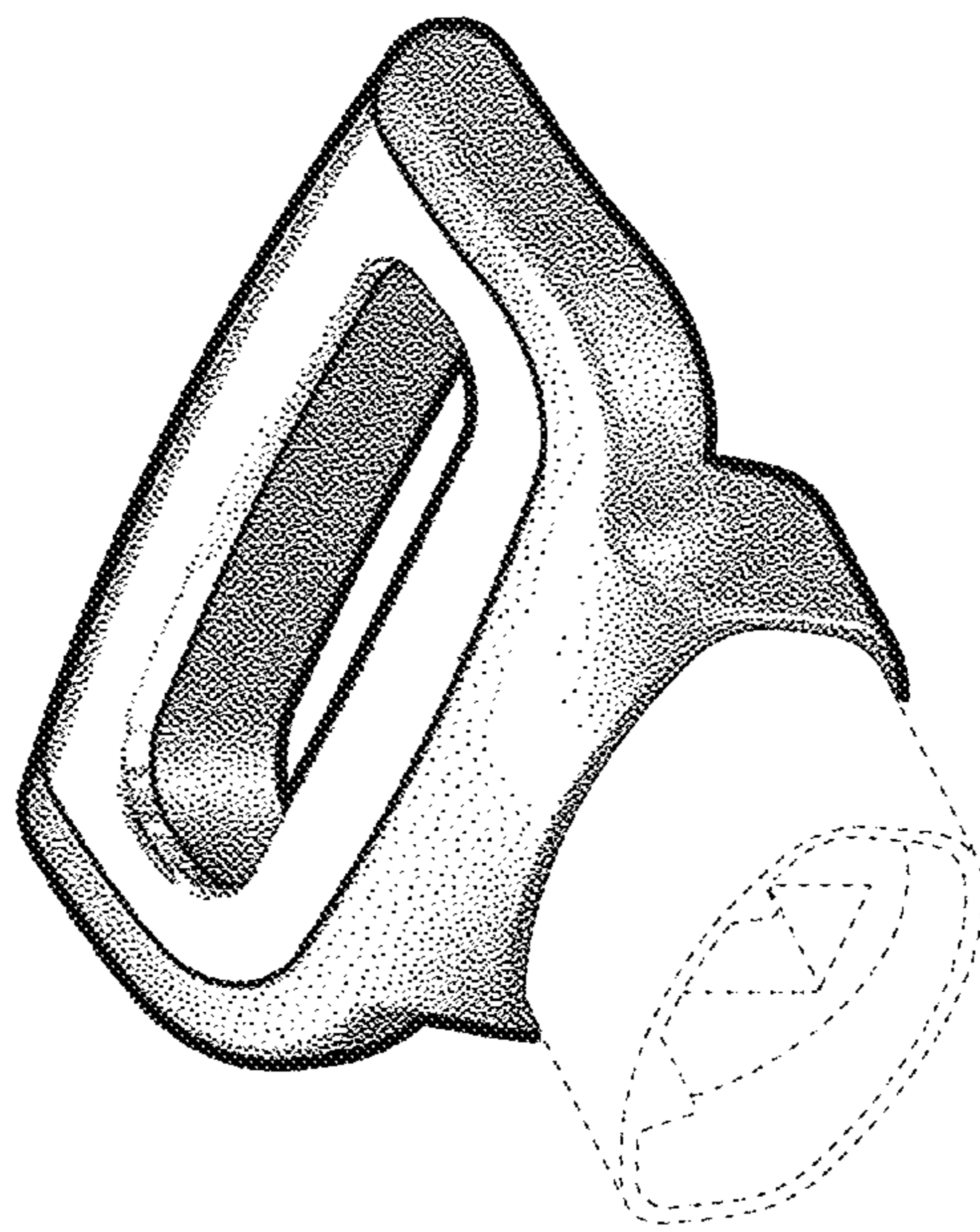


FIG. 1

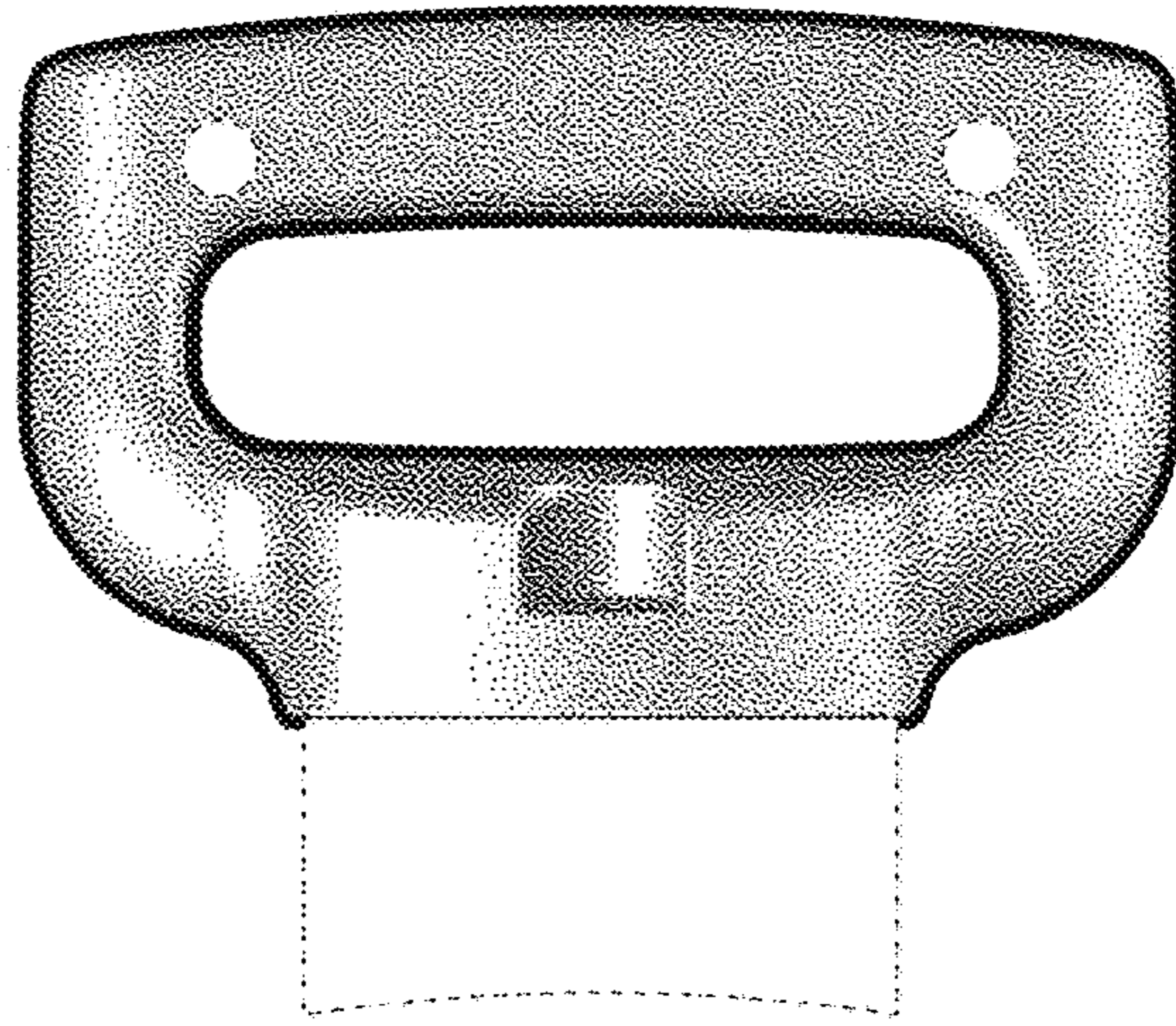


FIG.4

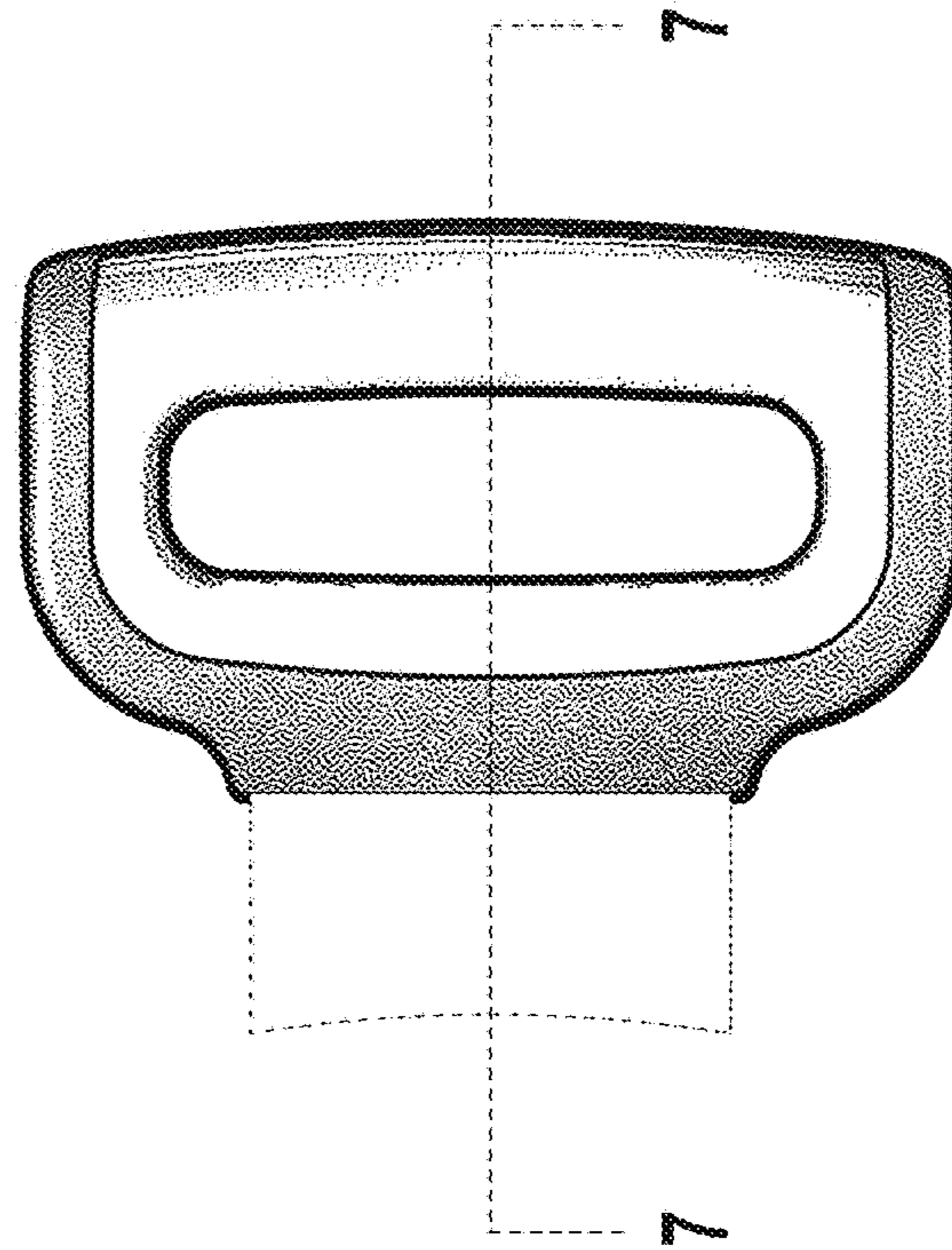


FIG.3

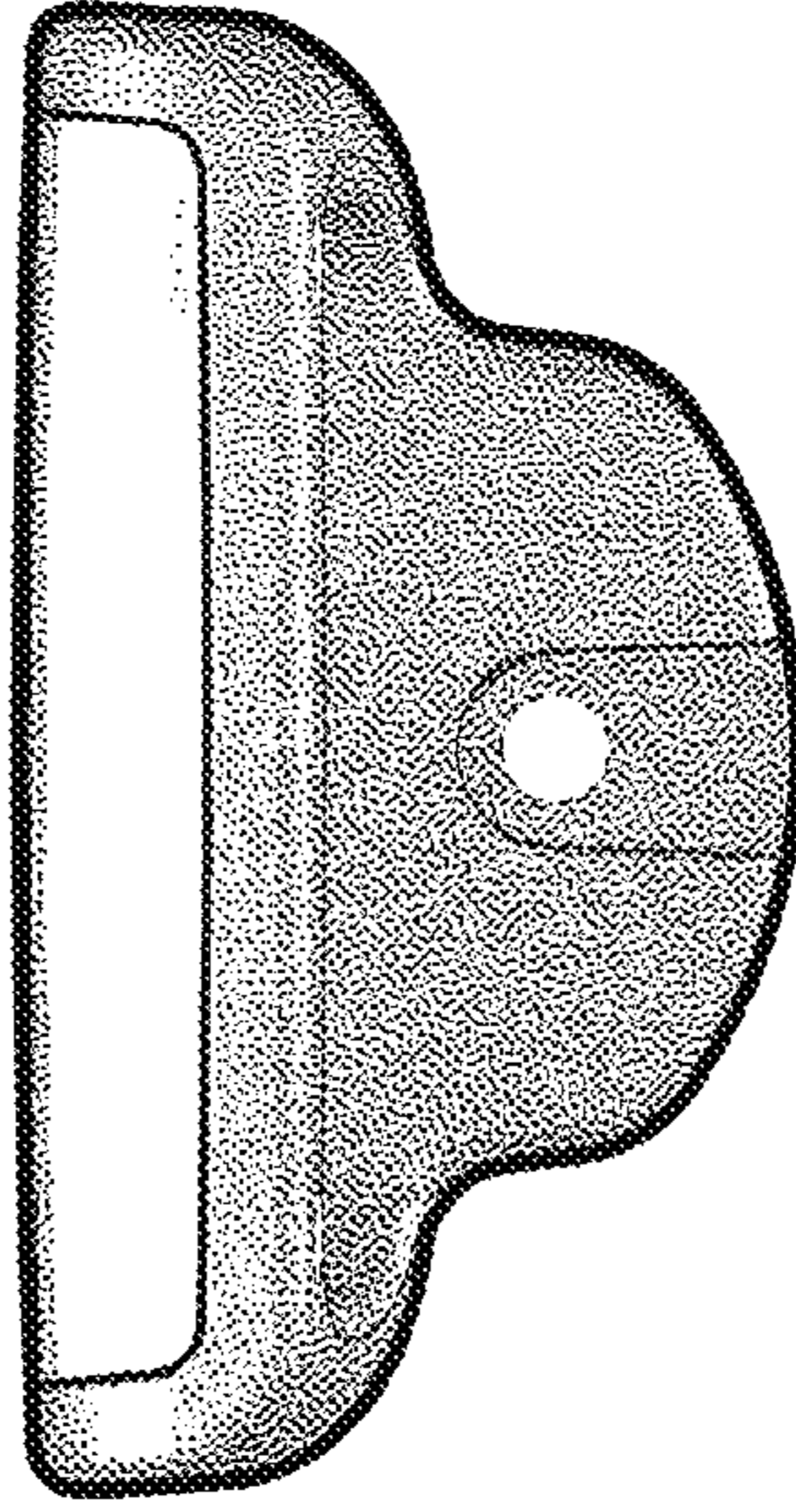


FIG. 6

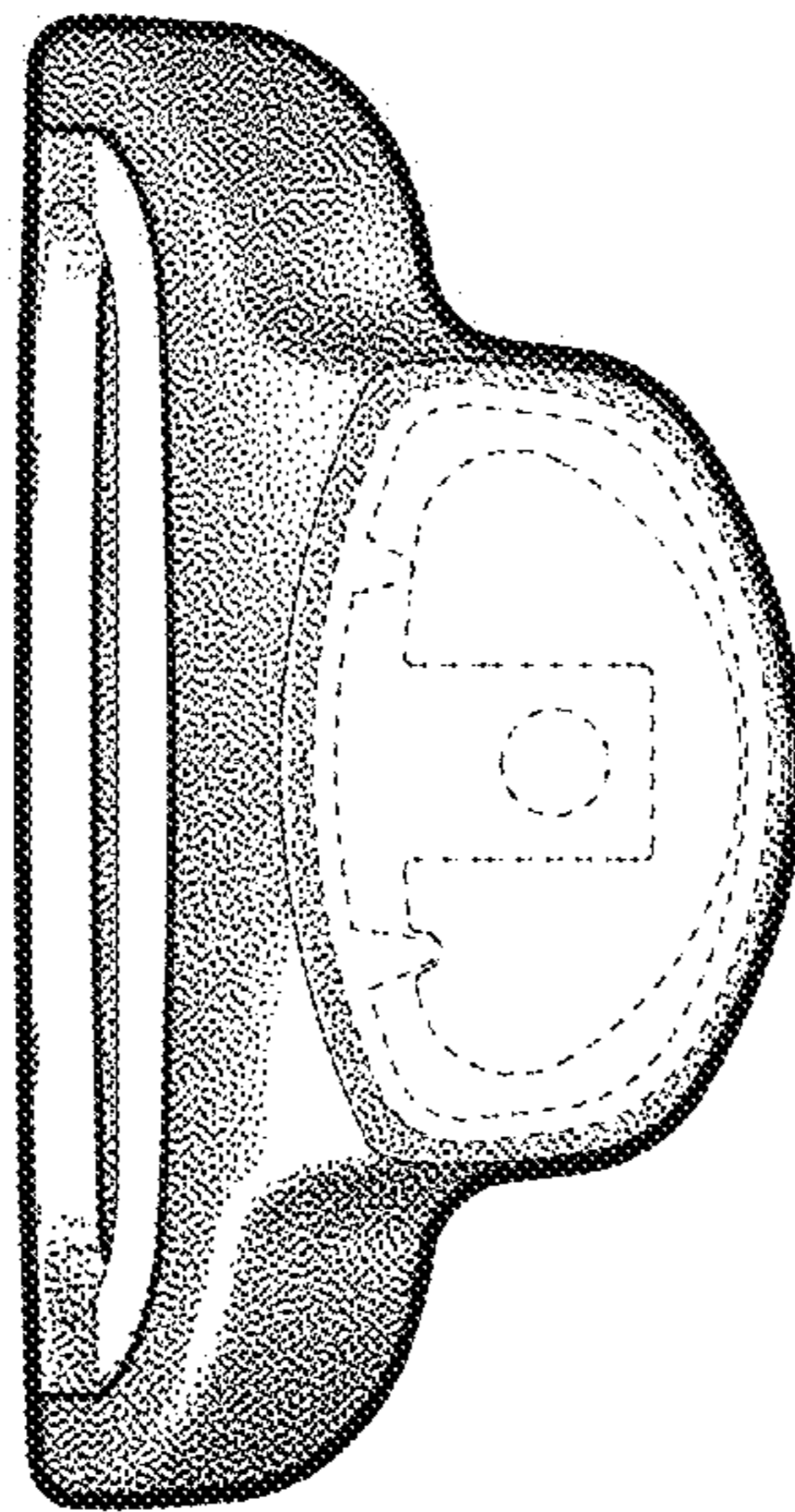


FIG. 5

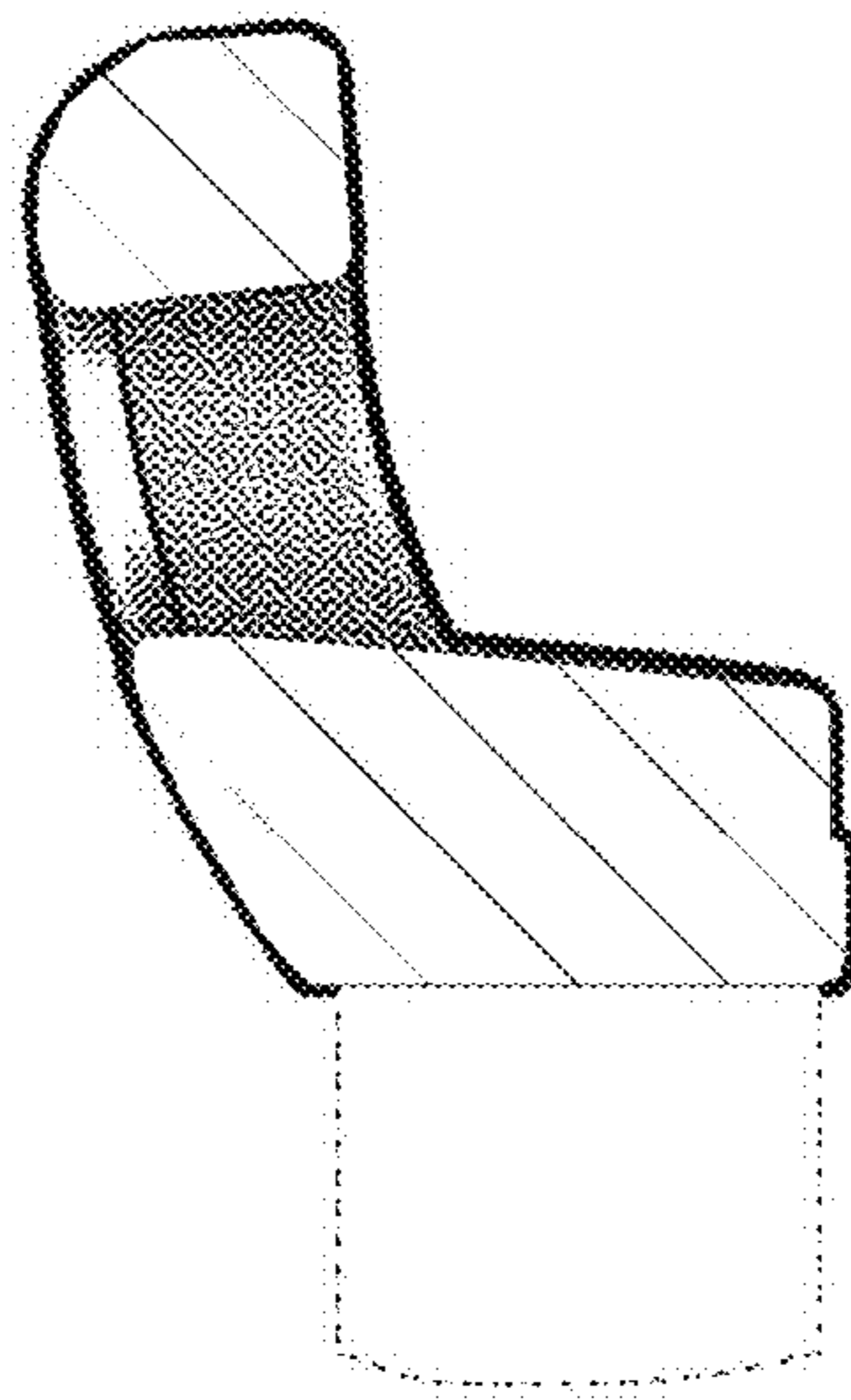


FIG. 7