



US00D843165S

(12) **United States Design Patent** (10) **Patent No.:** **US D843,165 S**
Chen (45) **Date of Patent:** **** Mar. 19, 2019**

(54) **LID OF A FOOD PROCESSOR**
(71) Applicant: **SHUANGMA PLASTIC MANUFACTURING INC.**, Zhejiang Province (CN)
(72) Inventor: **Cui-Hong Chen**, Zhejiang Province (CN)
(73) Assignee: **SHUANGMA PLASTIC MANUFACTURING INC.**, Linhai, Zhejiang Province (CN)
(**) Term: **15 Years**
(21) Appl. No.: **29/613,196**
(22) Filed: **Aug. 8, 2017**
(30) **Foreign Application Priority Data**
Apr. 5, 2017 (CN) 2017 3 0109038
(51) **LOC (11) Cl.** **31-00**
(52) **U.S. Cl.**
USPC **D7/391**
(58) **Field of Classification Search**
USPC D7/323, 326-327, 368, 391, 392, 392.1, D7/510-511, 601, 602, 605, 608; D9/445, 447, 449
CPC A01J 9/08; A23L 3/10; A47G 19/2272; A47J 27/04; A47J 27/004; A47J 36/24; A47J 36/2411; A47J 36/2416; A47J 36/2433; A47J 36/2438; A47J 39/00; A47J 39/006; A47J 41/00; B65D 43/02; B65D 47/0833; H05B 3/0004
See application file for complete search history.

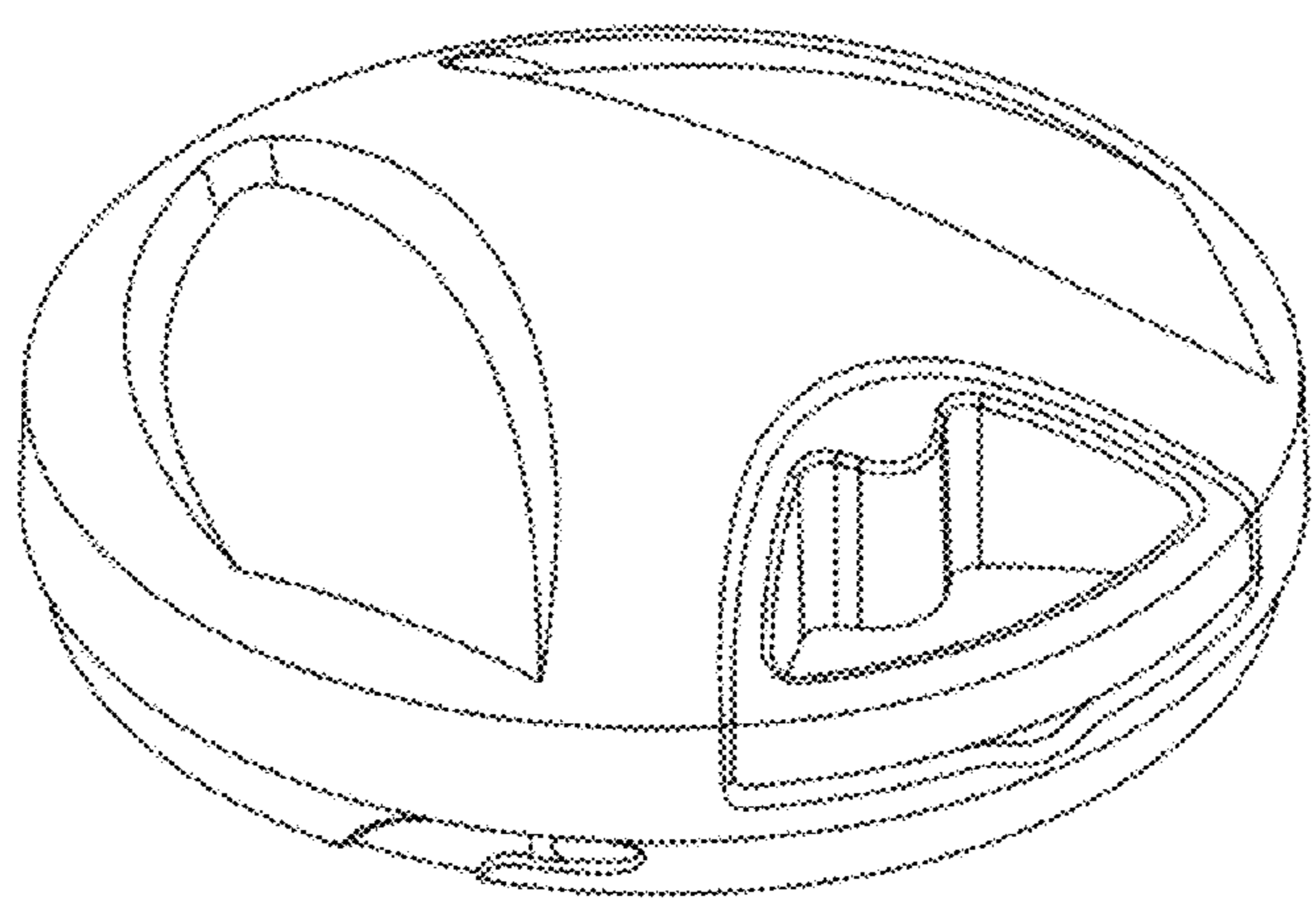
(56) **References Cited**
U.S. PATENT DOCUMENTS
D394,184 S * 5/1998 Demore D7/391
D485,759 S * 1/2004 Janky D7/392.1
D533,778 S * 12/2006 Hollis D9/447
D644,060 S * 8/2011 Komeiji D7/392.1
D761,618 S * 7/2016 Lapsker A47G 19/2272
D772,651 S * 11/2016 Leonard B65D 43/02
D794,390 S * 8/2017 Boettcher Sebben D7/510
9,814,334 B2 * 11/2017 Eickhoff B65D 47/0833
D827,437 S * 9/2018 Oakes D9/447
2013/0277380 A1 * 10/2013 Koestring B65D 43/02
2014/0284344 A1 * 9/2014 French A47G 19/2272
220/713
220/713

* cited by examiner
Primary Examiner — Ricky Pham
(74) *Attorney, Agent, or Firm* — Locke Lord LLP; Tim Tingkang Xia, Esq.

(57) **CLAIM**
The ornamental design for a lid of a food processor, as shown and described.

DESCRIPTION
FIG. 1 is a perspective view of a lid of a food processor according to my new design;
FIG. 2 is a front elevation view thereof;
FIG. 3 is a rear elevation view thereof;
FIG. 4 is a left side elevation view thereof;
FIG. 5 is a right side elevation view thereof;
FIG. 6 is a top plan view thereof; and,
FIG. 7 is a bottom plan view thereof.

1 Claim, 7 Drawing Sheets



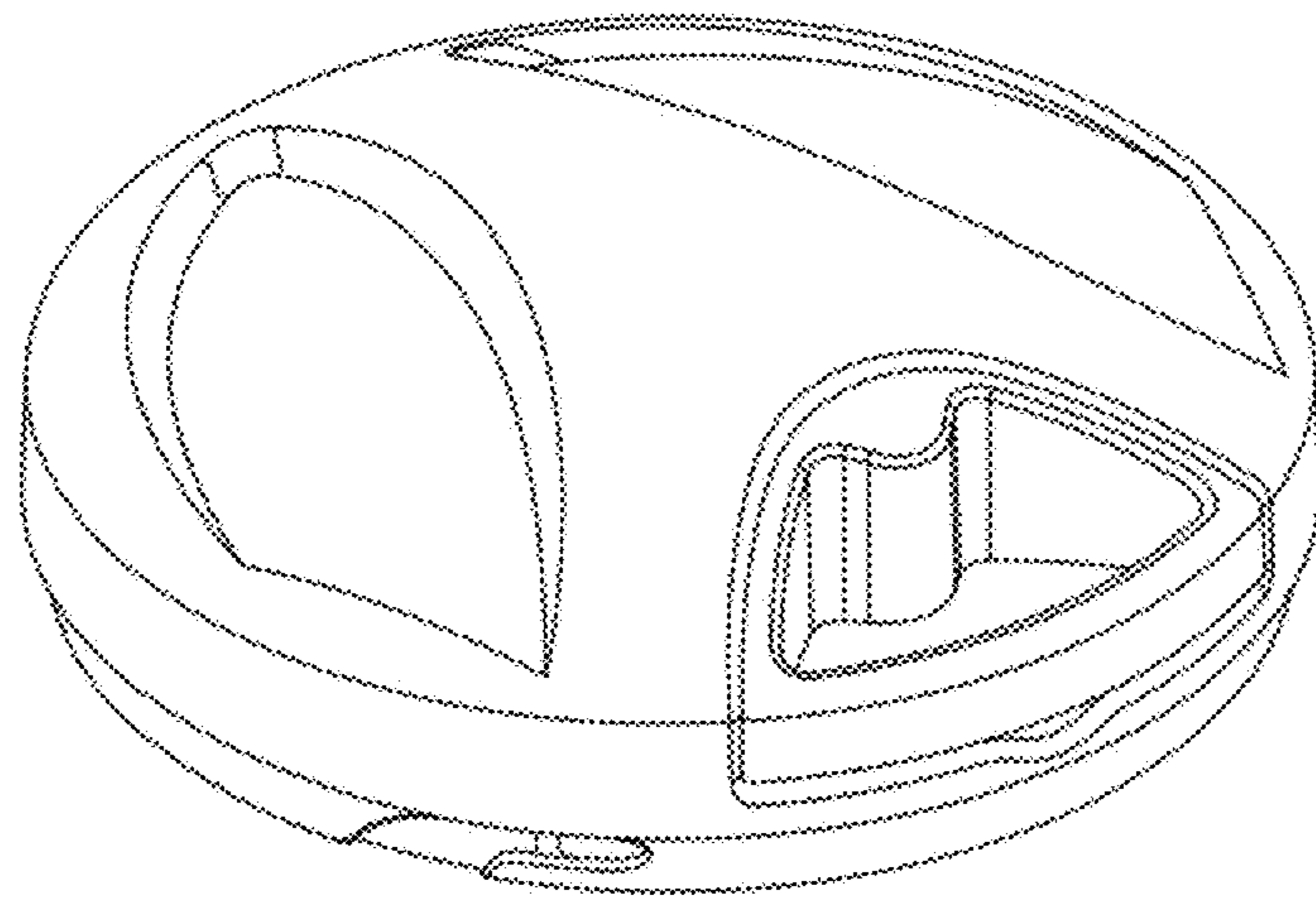


FIG. 1

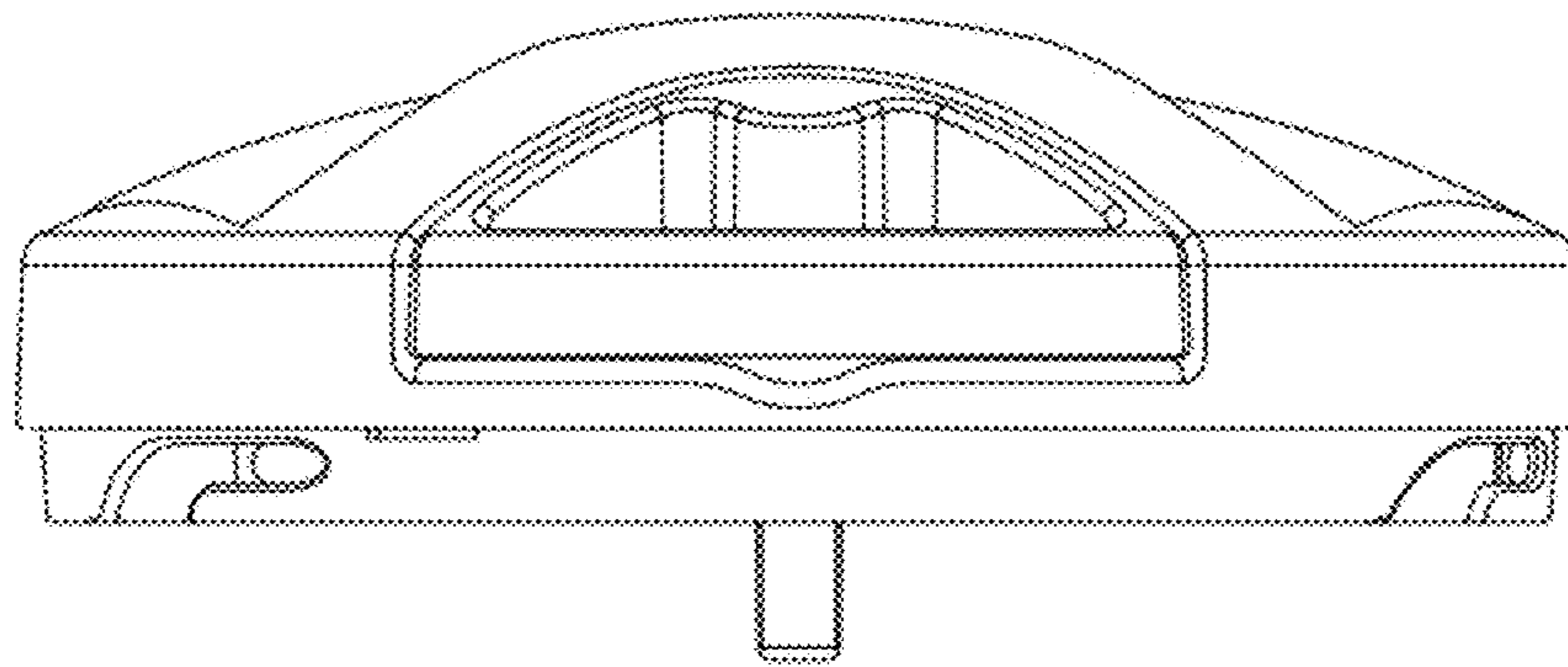


FIG. 2

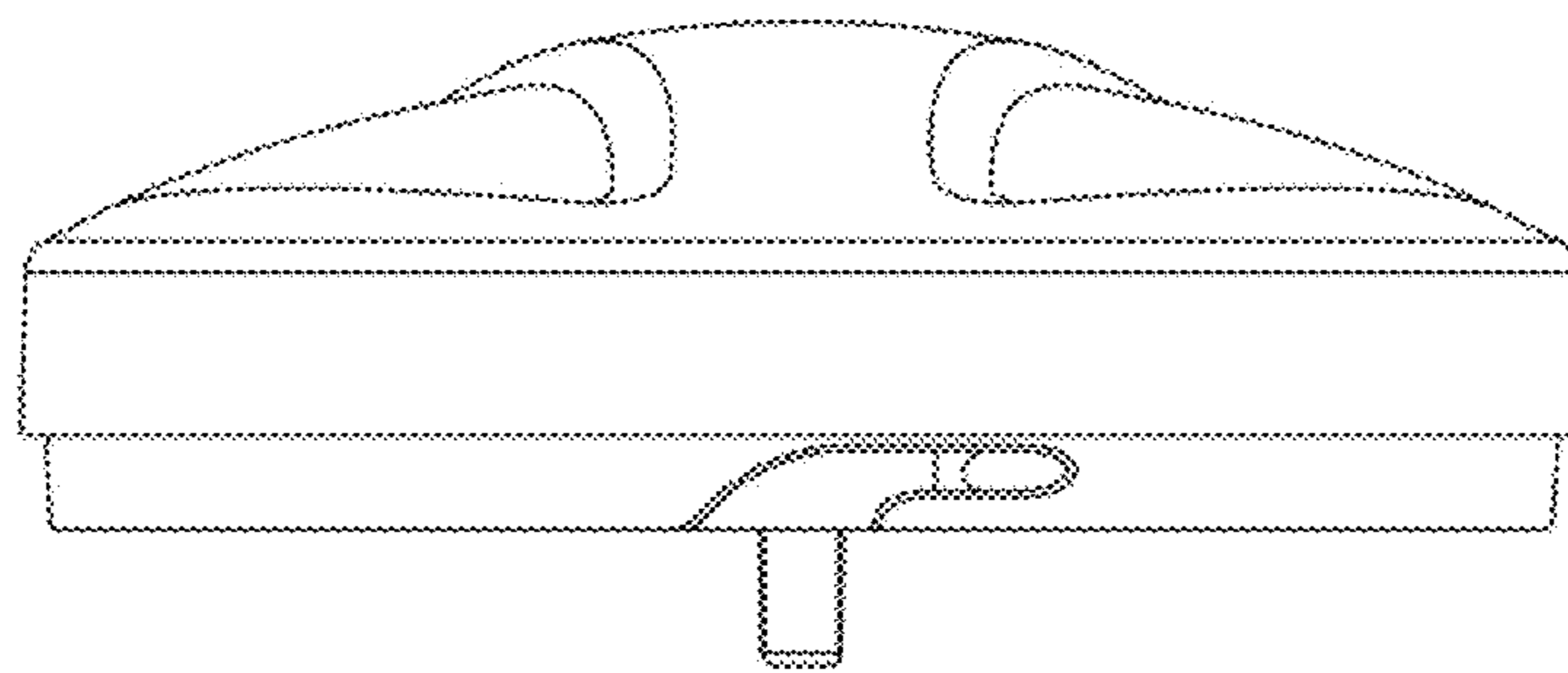


FIG. 3

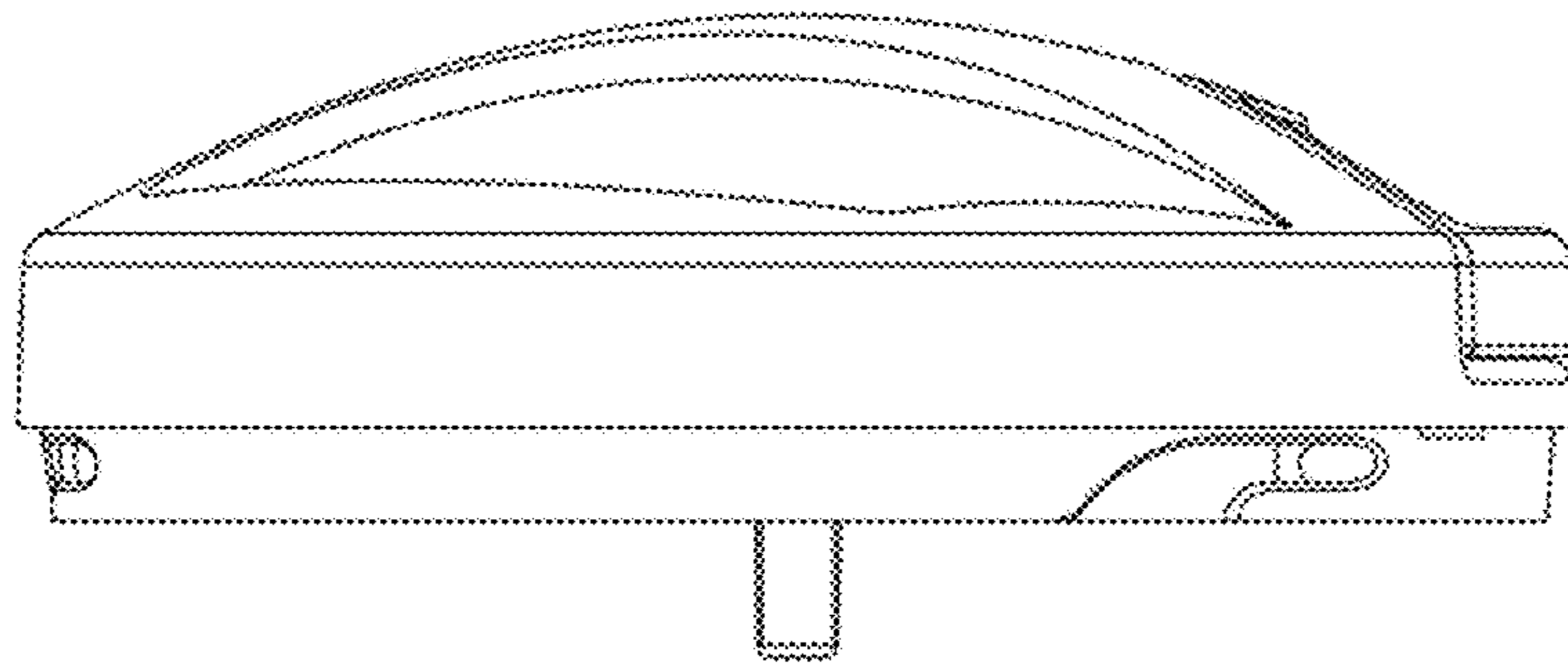


FIG. 4

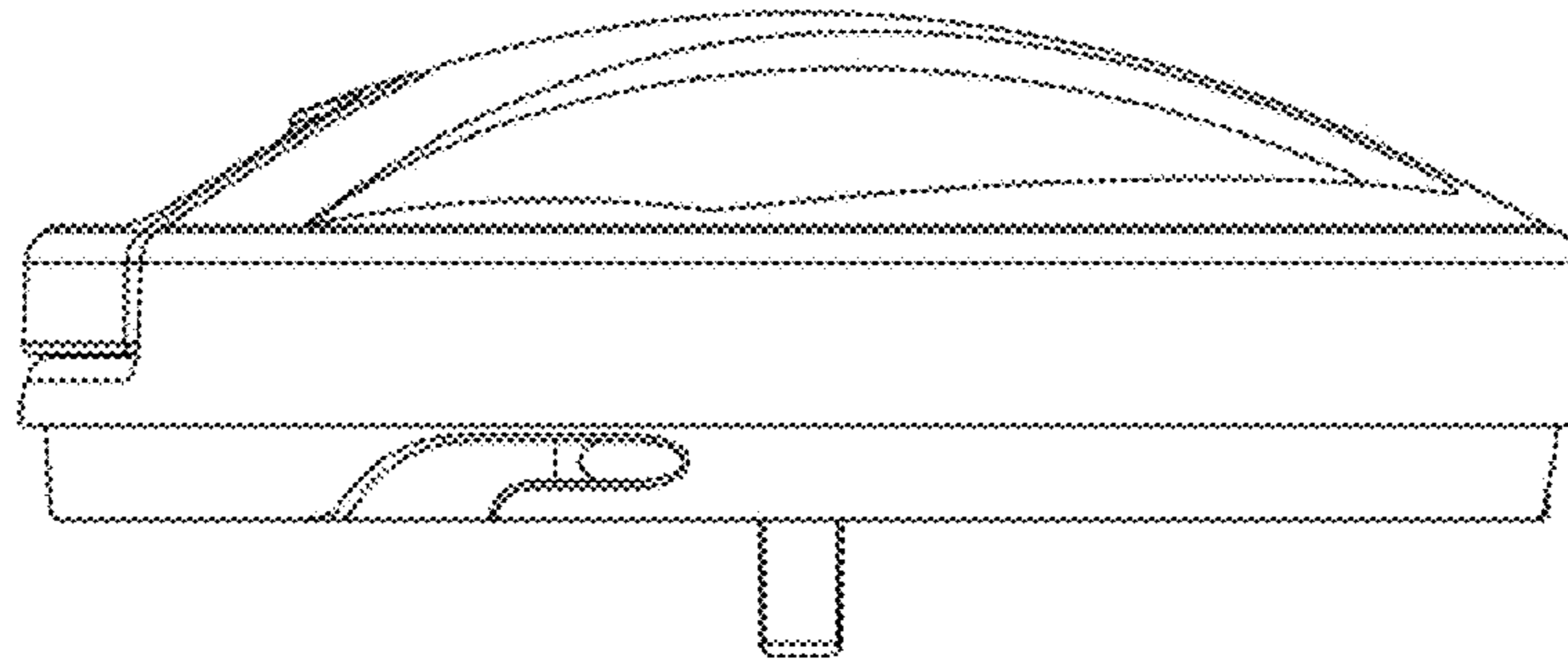


FIG. 5



FIG. 6

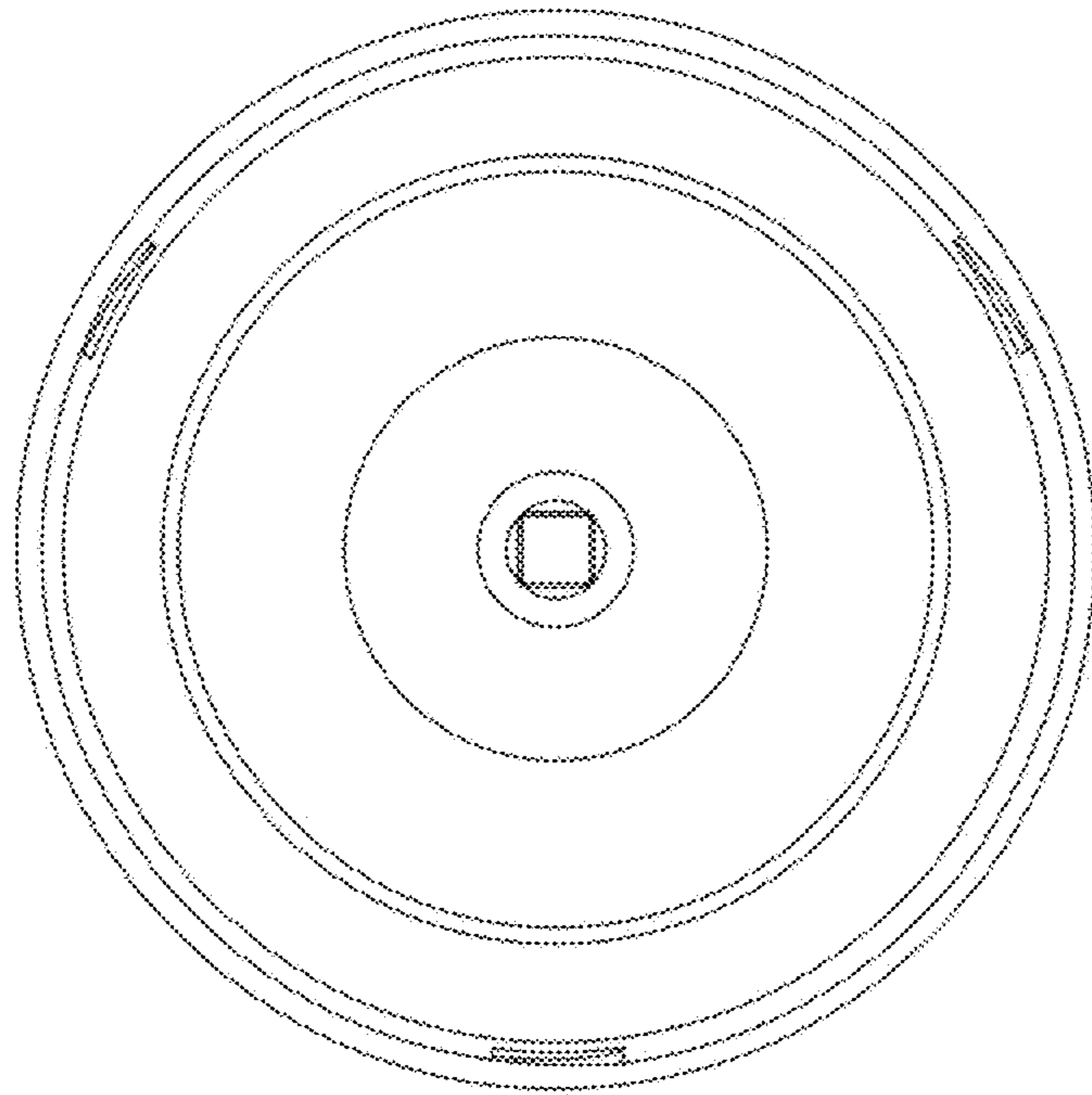


FIG. 7