



US00D843164S

(12) **United States Design Patent**  
**Chen**

(10) **Patent No.:** **US D843,164 S**

(45) **Date of Patent:** **\*\* Mar. 19, 2019**

(54) **LID OF A FOOD PROCESSOR**

(56) **References Cited**

(71) Applicant: **SHUANGMA PLASTIC MANUFACTURING INC.**, Linhai, Zhejiang Province (CN)

(72) Inventor: **Cui-Hong Chen**, Taizhou (CN)

(73) Assignee: **SHUANGMA PLASTIC MANUFACTURING INC.**, Linhai, Zhejiang Province (CN)

(\*\*) Term: **15 Years**

(21) Appl. No.: **29/613,184**

(22) Filed: **Aug. 8, 2017**

(30) **Foreign Application Priority Data**

Apr. 5, 2017 (CN) ..... 2017 3 0109038

(51) **LOC (11) Cl.** ..... **31-00**

(52) **U.S. Cl.**  
USPC ..... **D7/391**

(58) **Field of Classification Search**  
USPC ..... D7/323, 326-327, 368, 391, 392, 392.1, D7/510-511, 601, 602, 605, 608; D9/445, 447, 449  
CPC ..... A01J 9/08; A23L 3/10; A47G 19/2272; A47J 27/04; A47J 27/004; A47J 36/24; A47J 36/2411; A47J 36/2416; A47J 36/2433; A47J 36/2438; A47J 39/00; A47J 39/006; A47J 41/00; B65D 43/02; B65D 47/0833; H05B 3/0004

See application file for complete search history.

U.S. PATENT DOCUMENTS

D394,184 S *	5/1998	Demore	.....	D7/391
D485,759 S *	1/2004	Janky	.....	D7/392.1
D533,778 S *	12/2006	Hollis	.....	D9/447
D644,060 S *	8/2011	Komeiji	.....	D7/392.1
D761,618 S *	7/2016	Lapsker	.....	A47G 19/2272
				D7/392.1
D772,651 S *	11/2016	Leonard	.....	B65D 43/02
				D7/510
D794,390 S *	8/2017	Boettcher Sebben	.....	D7/510
9,814,334 B2 *	11/2017	Eickhoff	.....	B65D 47/0833
D827,437 S *	9/2018	Oakes	.....	D9/447
2013/0277380 A1 *	10/2013	Koestring	.....	B65D 43/02
				220/713
2014/0284344 A1 *	9/2014	French	.....	A47G 19/2272
				220/713

\* cited by examiner

*Primary Examiner* — Ricky Pham

(74) *Attorney, Agent, or Firm* — Locke Lord LLP; Tim Tingkang Xia, Esq.

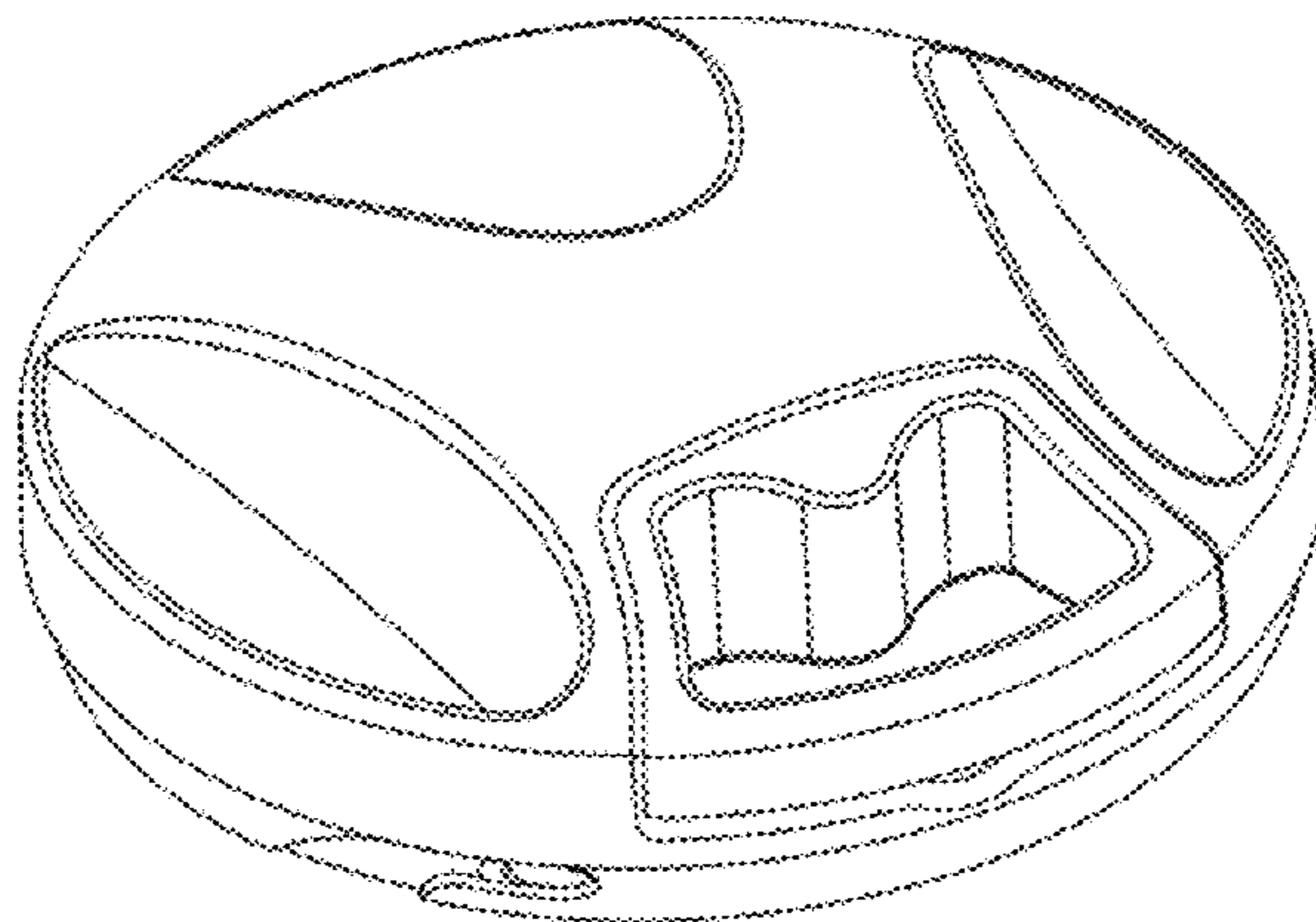
(57) **CLAIM**

The ornamental design for a lid of a food processor, as shown and described.

**DESCRIPTION**

FIG. 1 is a perspective view of a lid of a food processor according to my new design;  
FIG. 2 is a front elevation view thereof;  
FIG. 3 is a rear elevation view thereof;  
FIG. 4 is a left side elevation view thereof;  
FIG. 5 is a right side elevation view thereof;  
FIG. 6 is a top plan view thereof; and,  
FIG. 7 is a bottom plan view thereof.

**1 Claim, 7 Drawing Sheets**



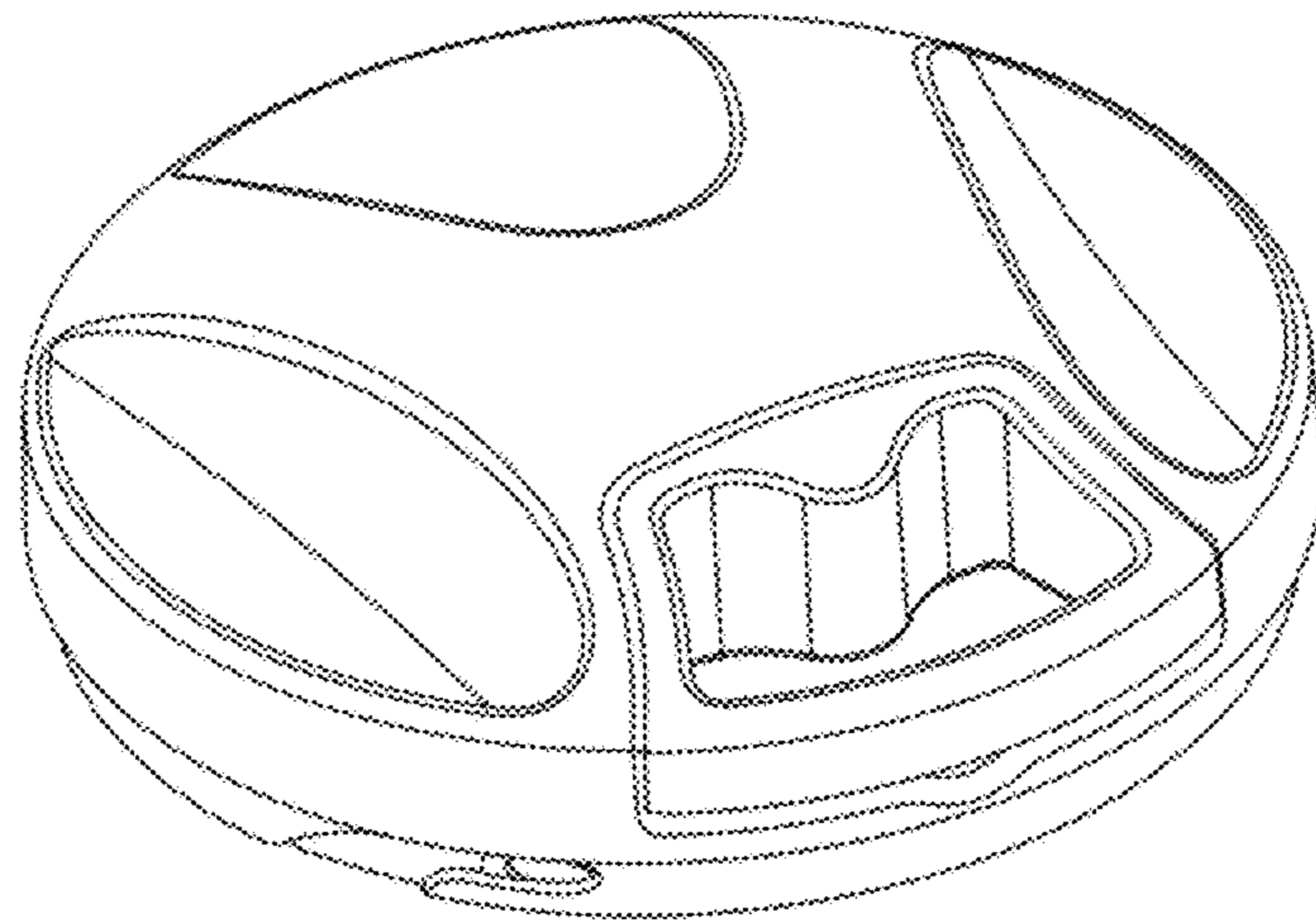


FIG. 1

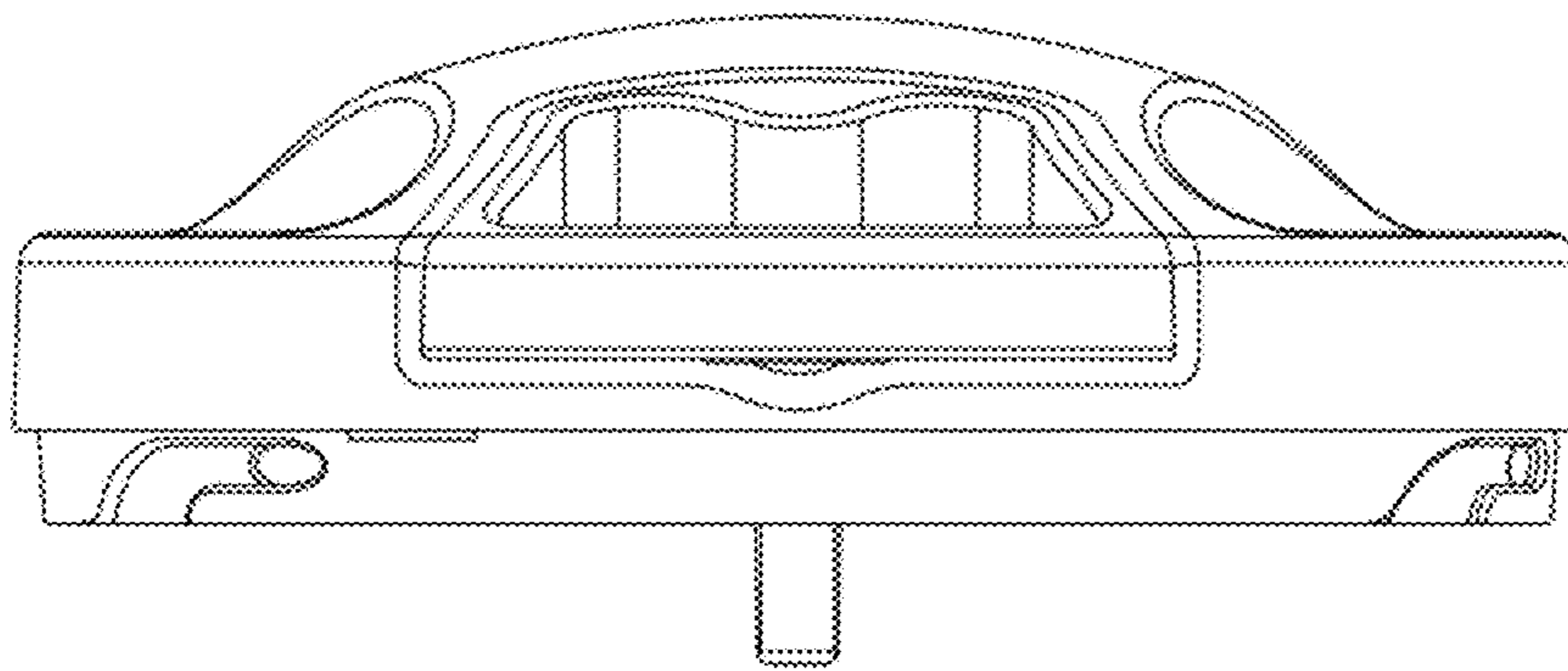


FIG. 2

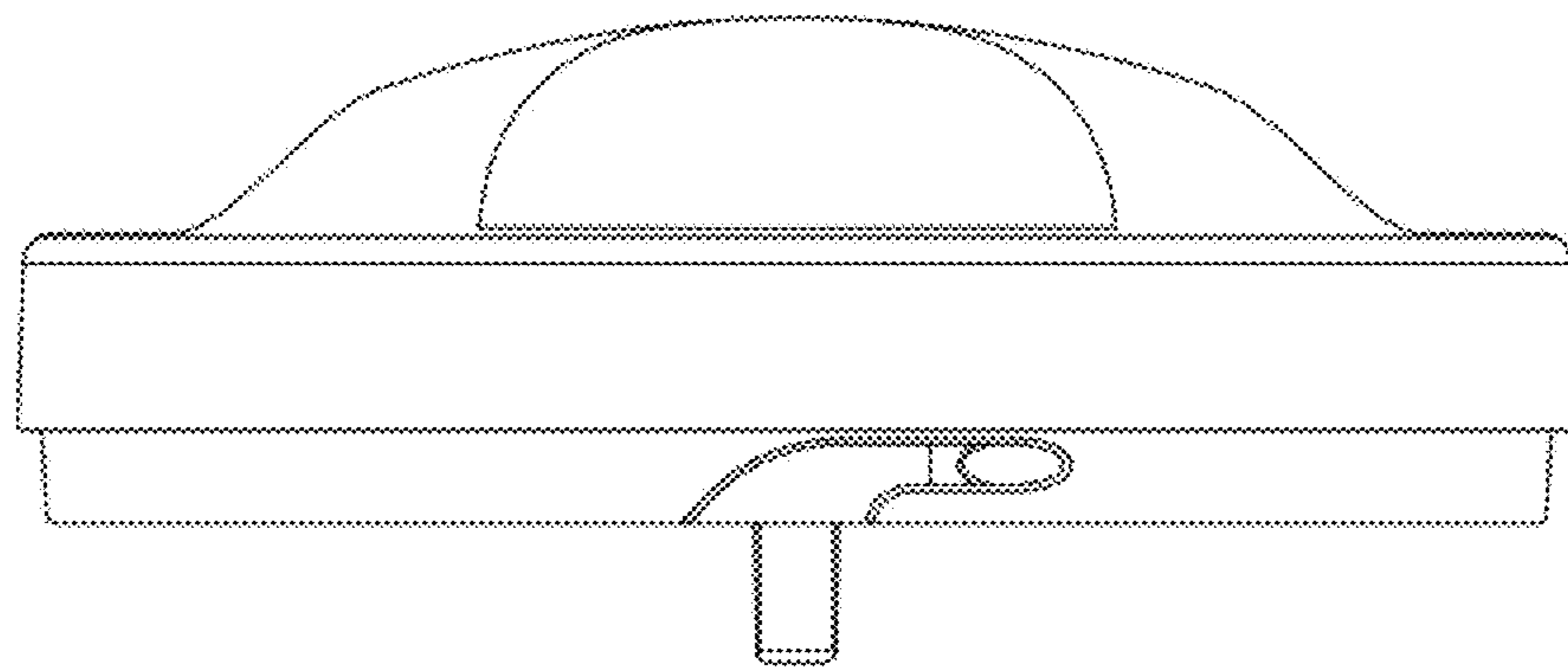


FIG. 3

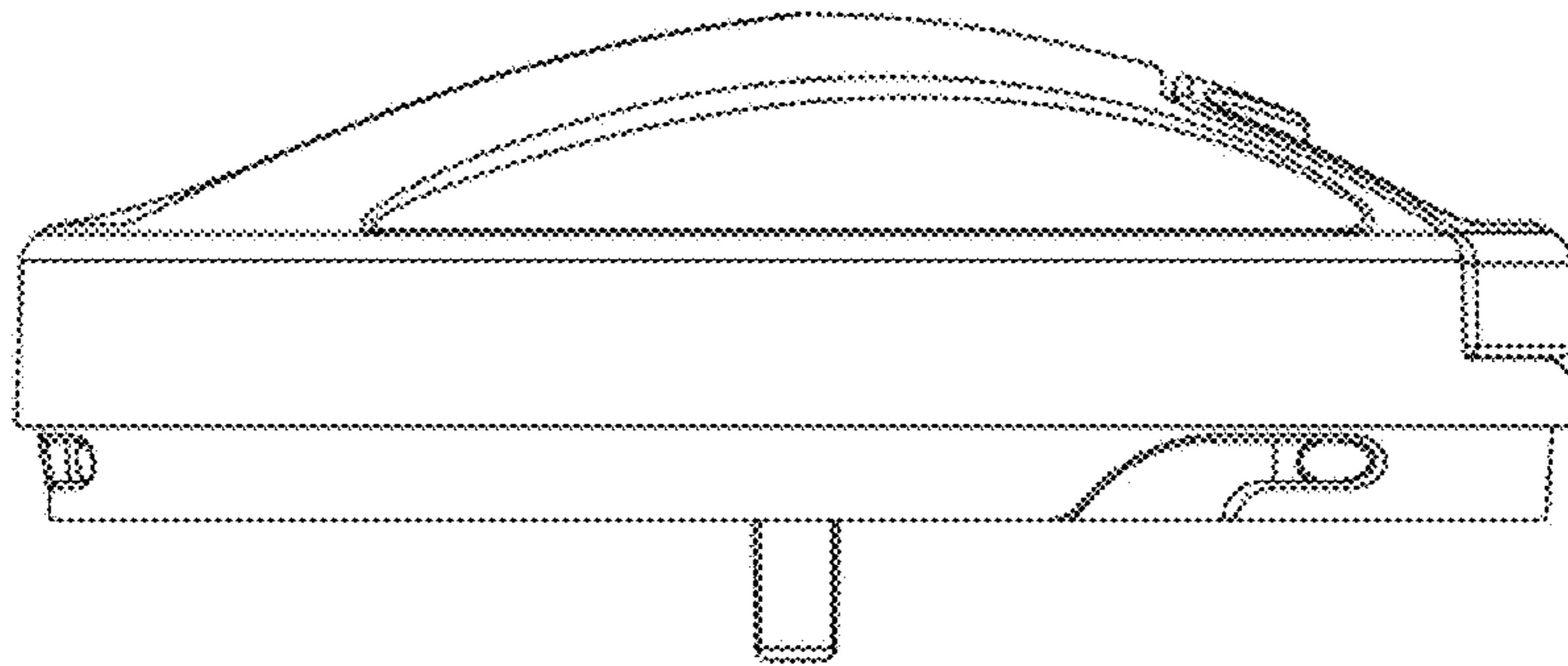


FIG. 4

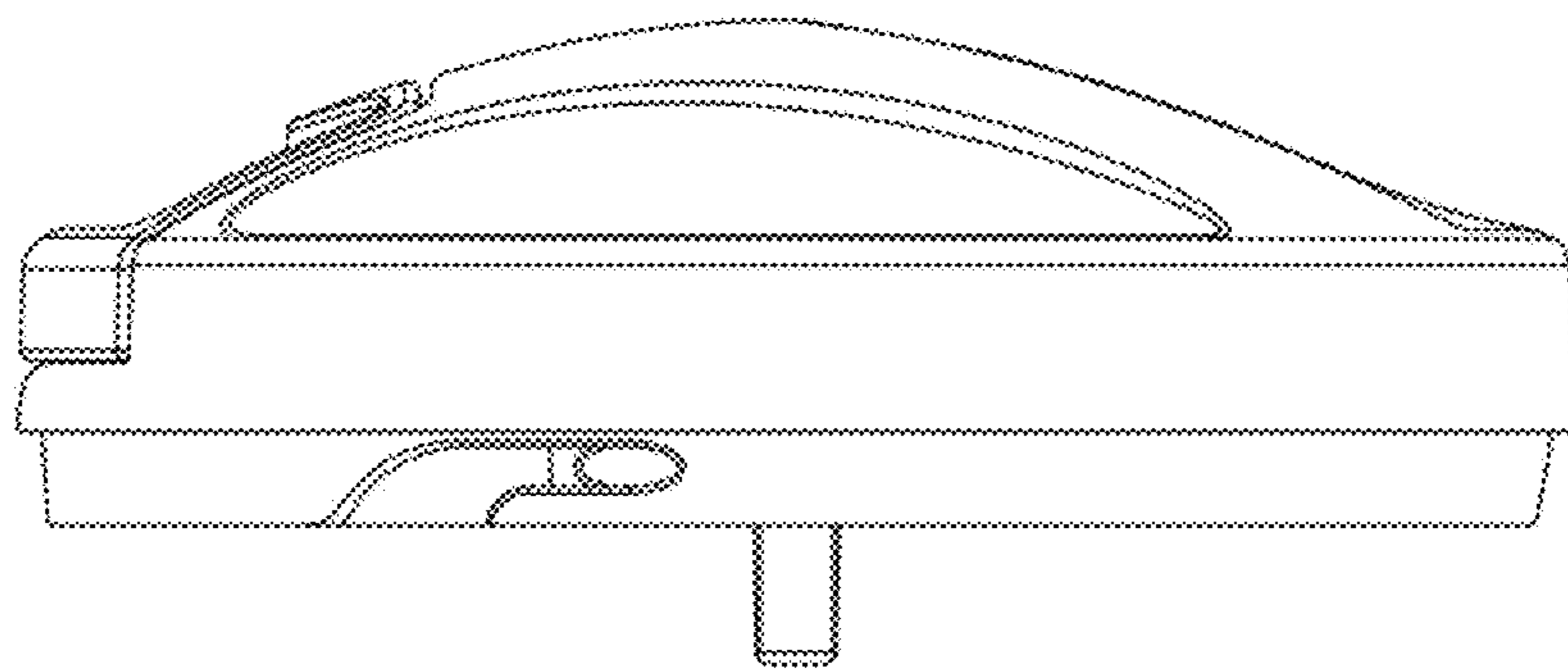


FIG. 5

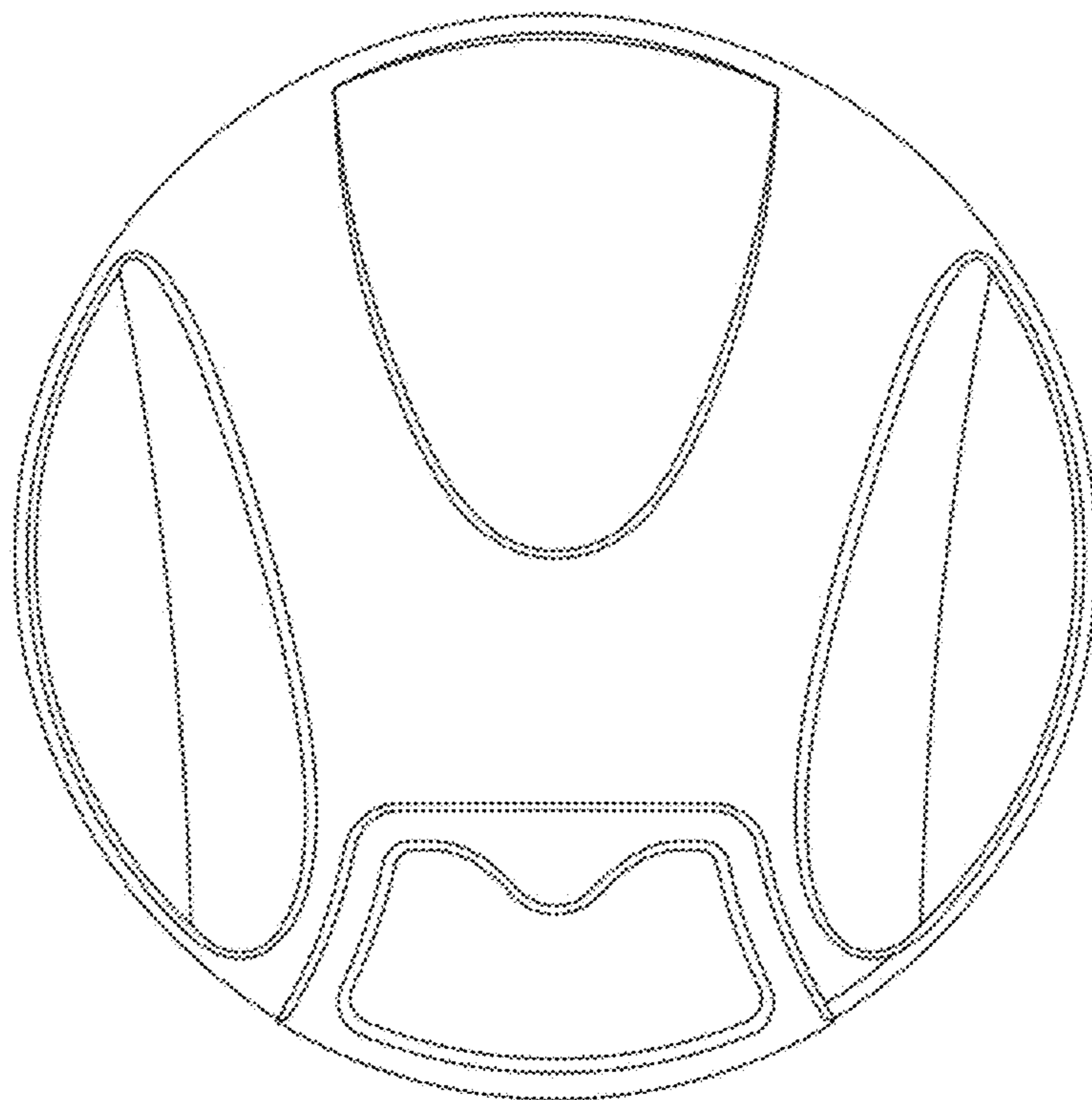


FIG. 6



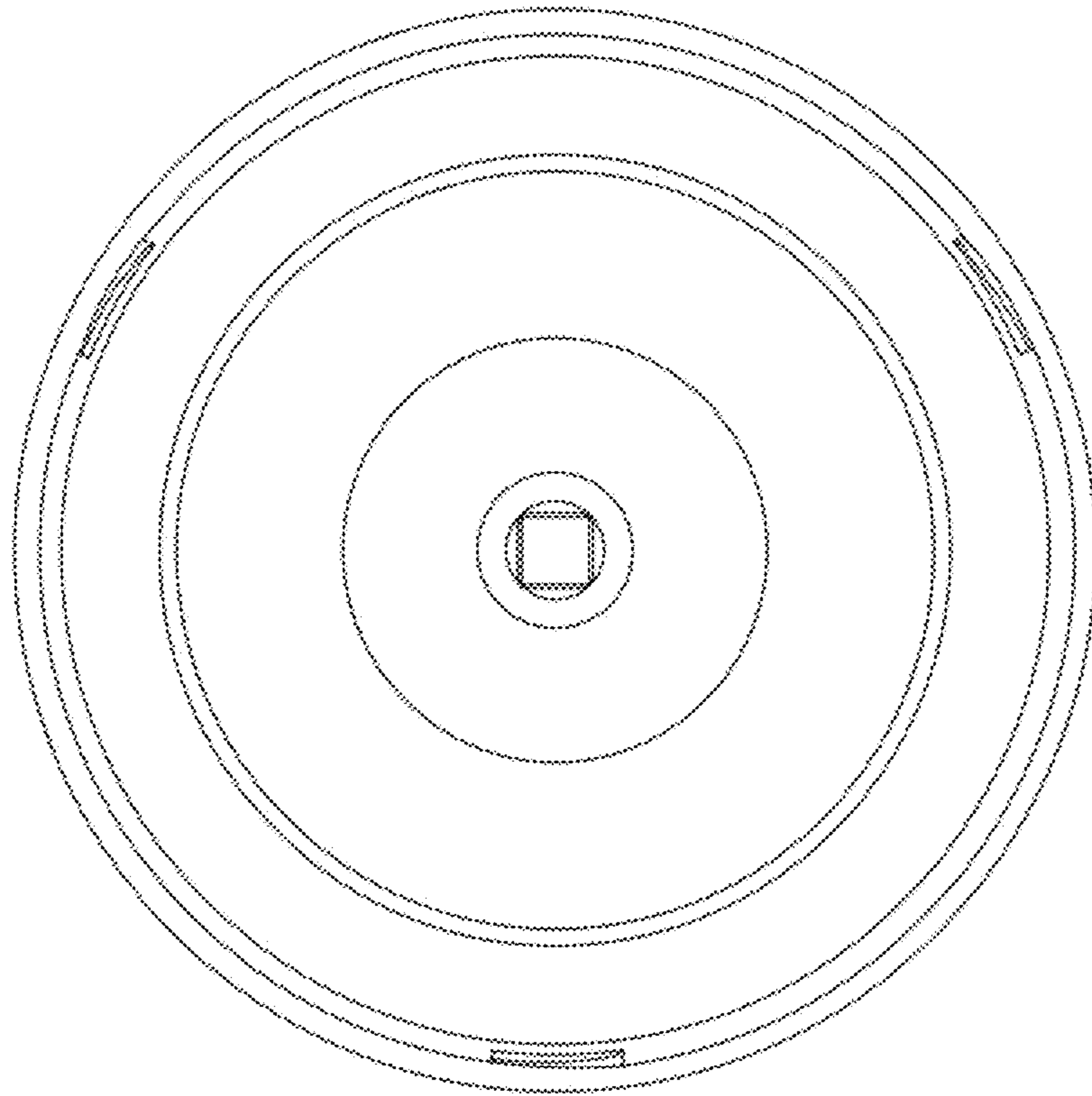


FIG. 7