



US00D843161S

(12) **United States Design Patent**  
**Workman et al.**

(10) **Patent No.:** **US D843,161 S**

(45) **Date of Patent:** **\*\* Mar. 19, 2019**

- (54) **PORTABLE COOKING DEVICE**
- (71) Applicant: **Barebones Systems, LLC**, Salt Lake City, UT (US)
- (72) Inventors: **Robert Emmett Workman**, Morgan, UT (US); **David Jared Burton**, Payson, UT (US); **Erik Robert Workman**, Salt Lake City, UT (US); **Kristin Mecham**, Springville, UT (US)

5,511,466 A *	4/1996	Dzibinski	.....	A47J 37/10
				126/385.1
D374,792 S *	10/1996	Dzibinski	.....	D7/360
D498,639 S *	11/2004	Brasset	.....	D7/360
D525,479 S *	7/2006	Olsen	.....	D7/360
D589,295 S *	3/2009	Rohrer	.....	D7/360
D635,392 S *	4/2011	Shantha	.....	D7/354
D685,222 S *	7/2013	Dang	.....	D7/354
D685,604 S *	7/2013	Dang	.....	D7/354
D717,582 S *	11/2014	Shin	.....	D7/354
D811,800 S *	3/2018	Workman	.....	D7/360
D816,392 S *	5/2018	Keating	.....	D7/360

(\*\*) Term: **15 Years**

(21) Appl. No.: **29/625,031**

(22) Filed: **Nov. 6, 2017**

(51) **LOC (11) Cl.** ..... **07-02**

(52) **U.S. Cl.**  
USPC ..... **D7/360; D7/354**

(58) **Field of Classification Search**  
USPC ..... D7/323, 354–363, 391, 393–396, 409  
CPC ..... A47G 19/12; A47J 27/00; A47J 27/002;  
A47J 27/08; A47J 27/21; A47J 27/58;  
A47J 36/025; A47J 36/06; A47J 36/12;  
A47J 37/00; A47J 37/10; A47J 37/101;  
A47J 37/103; A47J 37/12; A47J 37/1204;  
A47J 45/061; A47J 45/071; A47J 45/08;  
H05B 6/12

See application file for complete search history.

(56) **References Cited**

**U.S. PATENT DOCUMENTS**

D269,319 S *	6/1983	Fox	.....	D7/355
D276,493 S *	11/1984	Cesaroni	.....	D7/355

\* cited by examiner

*Primary Examiner* — Ricky Pham

(74) *Attorney, Agent, or Firm* — Morriss O’Bryant  
Compagni Cannon, PLLC

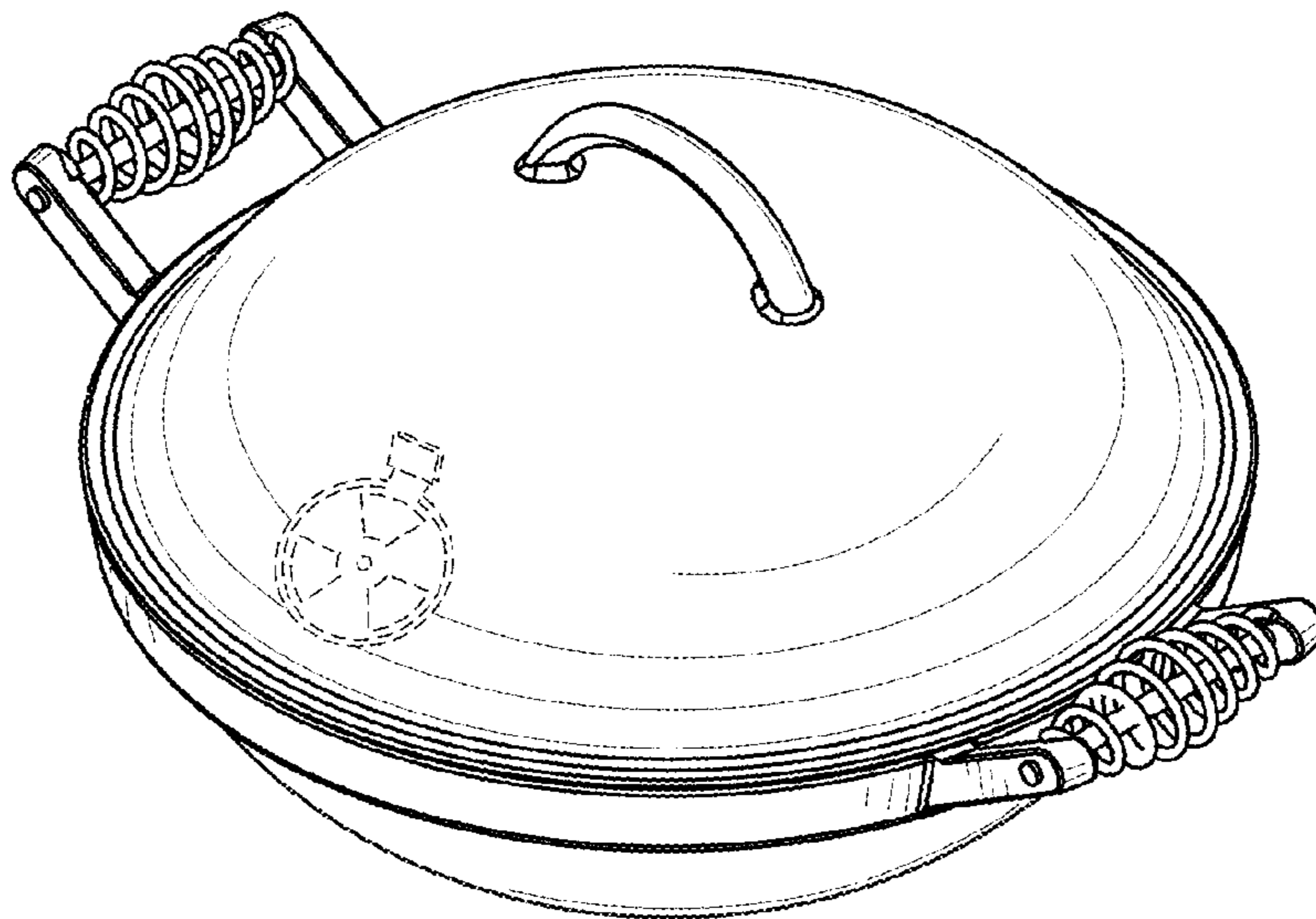
(57) **CLAIM**

The ornamental design for a portable cooking device, as shown and described.

**DESCRIPTION**

FIG. 1 is a perspective front side view of a portable cooking device of the present invention;  
FIG. 2 is a front side view of the portable cooking device;  
FIG. 3 is a back side view of the portable cooking device;  
FIG. 4 is a left side view of the portable cooking device;  
FIG. 5 is a right side view of the portable cooking device;  
FIG. 6 is a top plan view of the portable cooking device; and,  
FIG. 7 is a bottom plan view of the portable cooking device.  
The broken lines shown in the drawings illustrate portions of the portable cooking device and form no part of the claimed design.

**1 Claim, 3 Drawing Sheets**



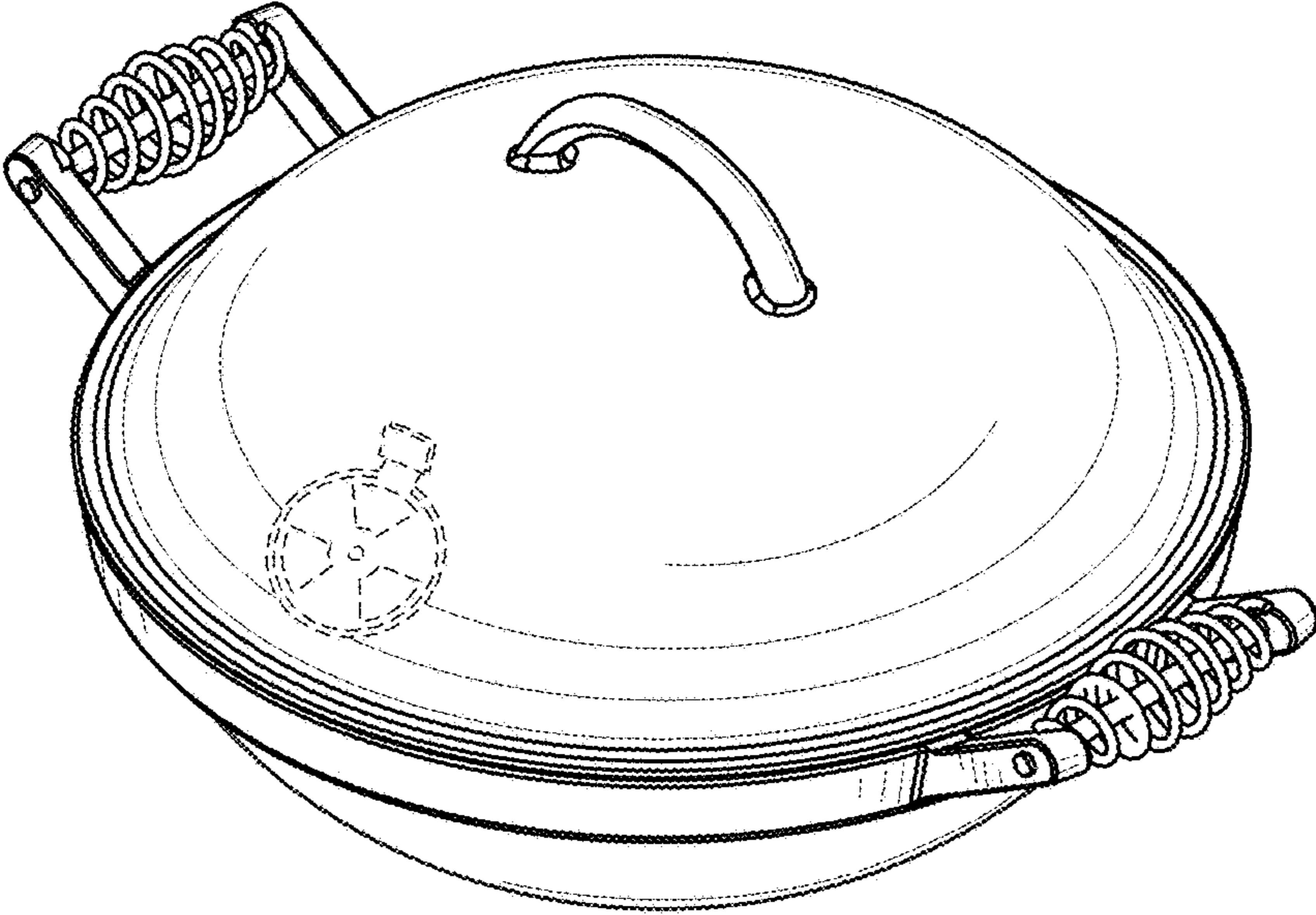


FIG. 1

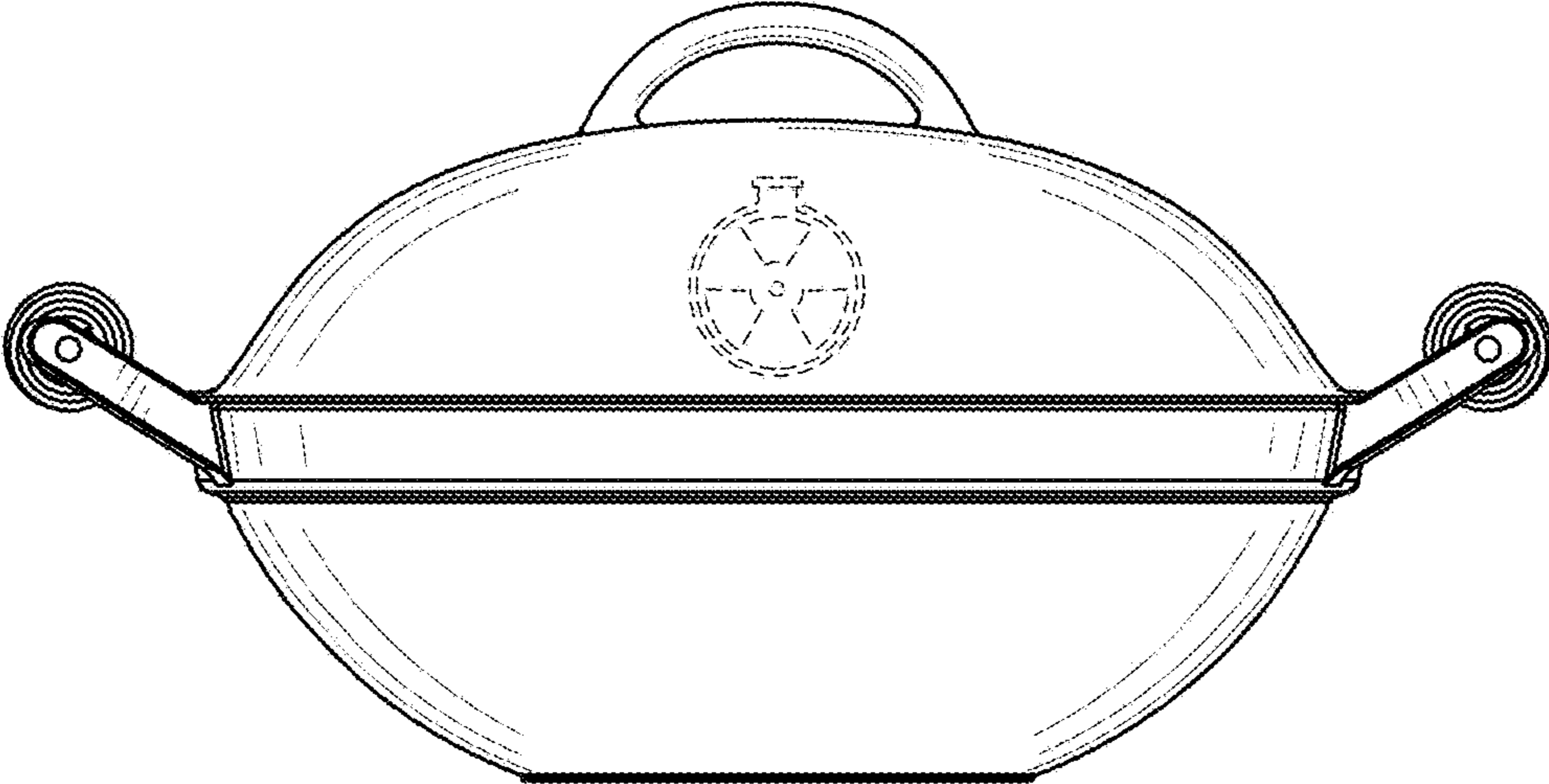
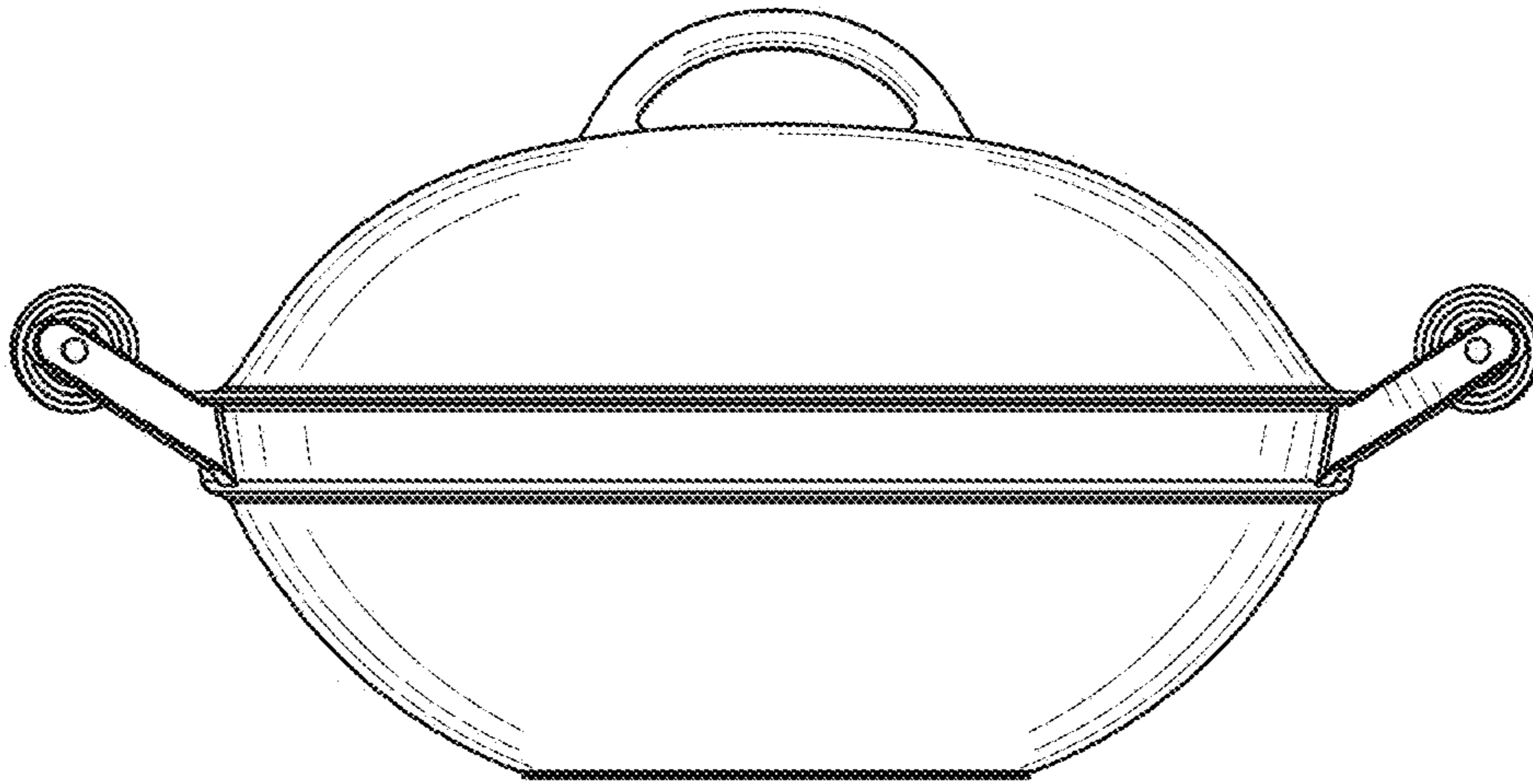
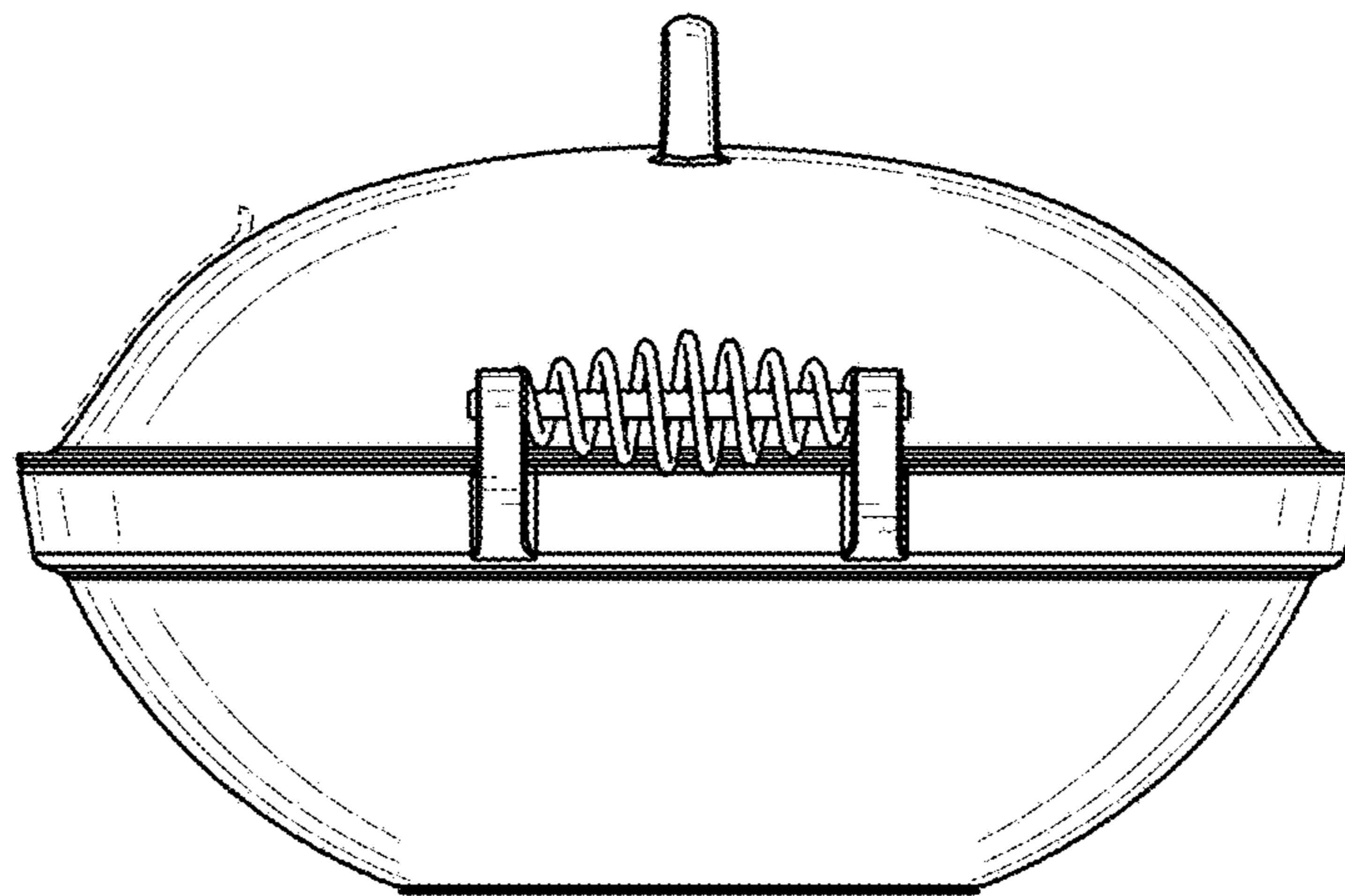


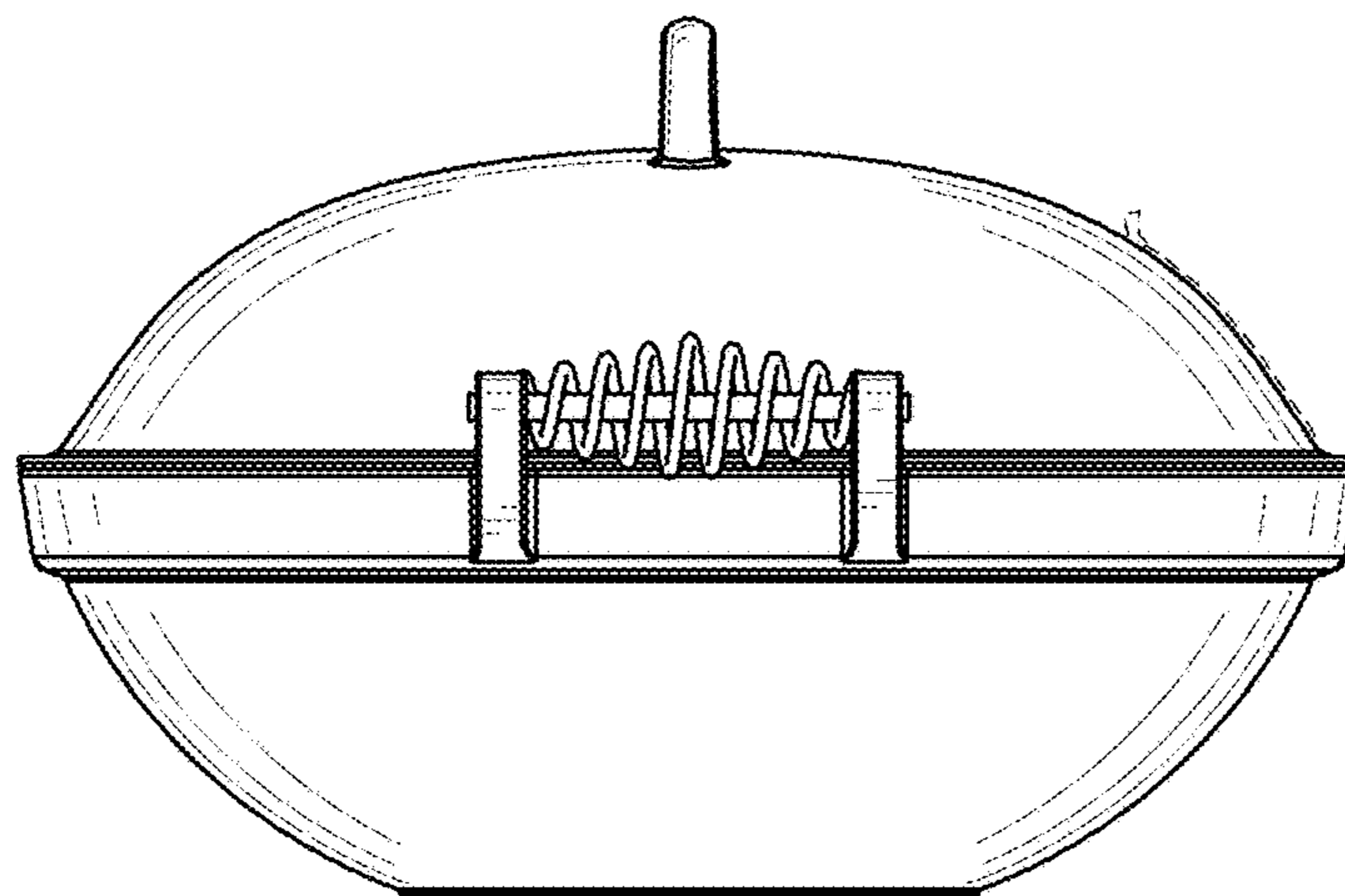
FIG. 2



**FIG. 3**



**FIG. 4**



**FIG. 5**

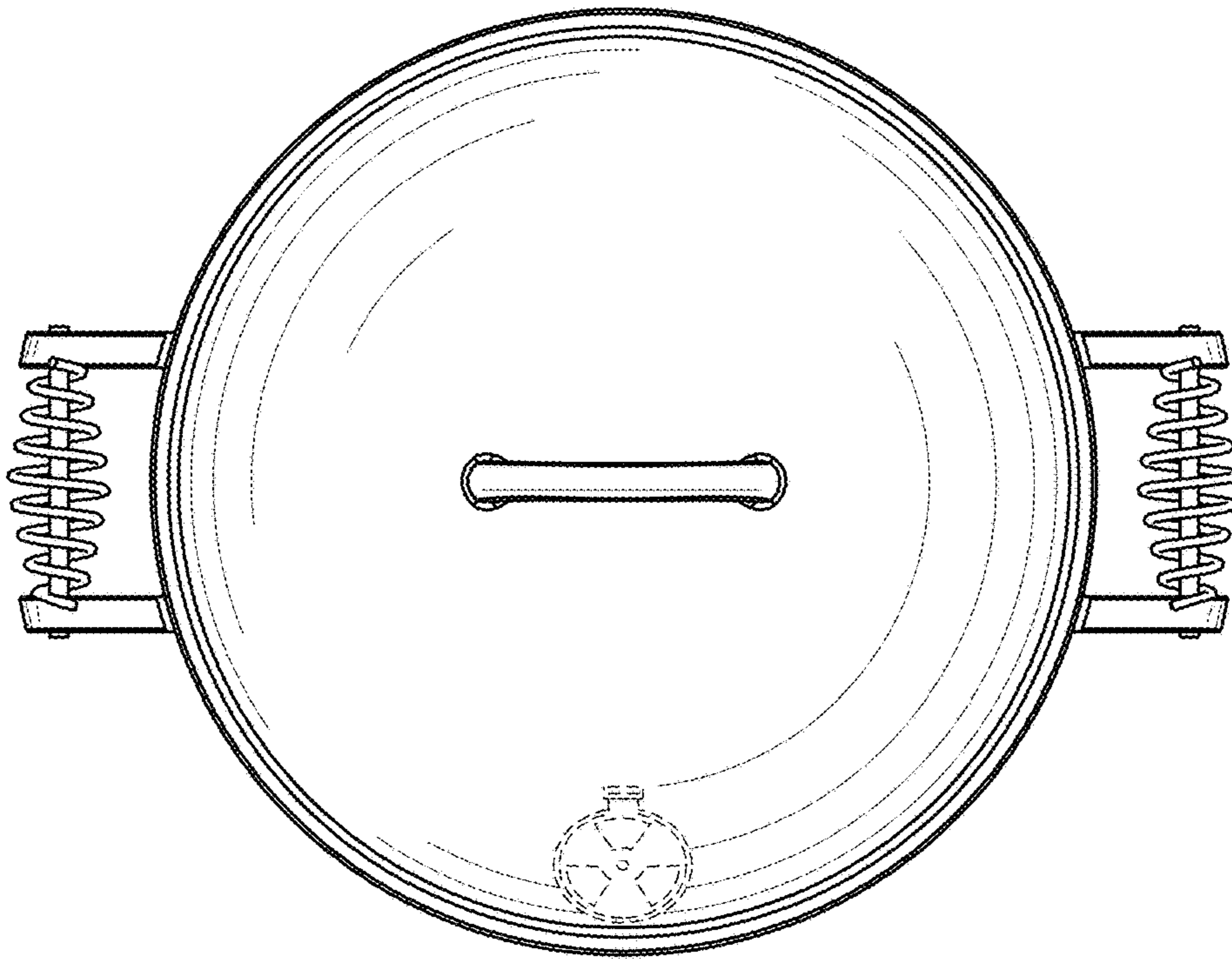


FIG. 6

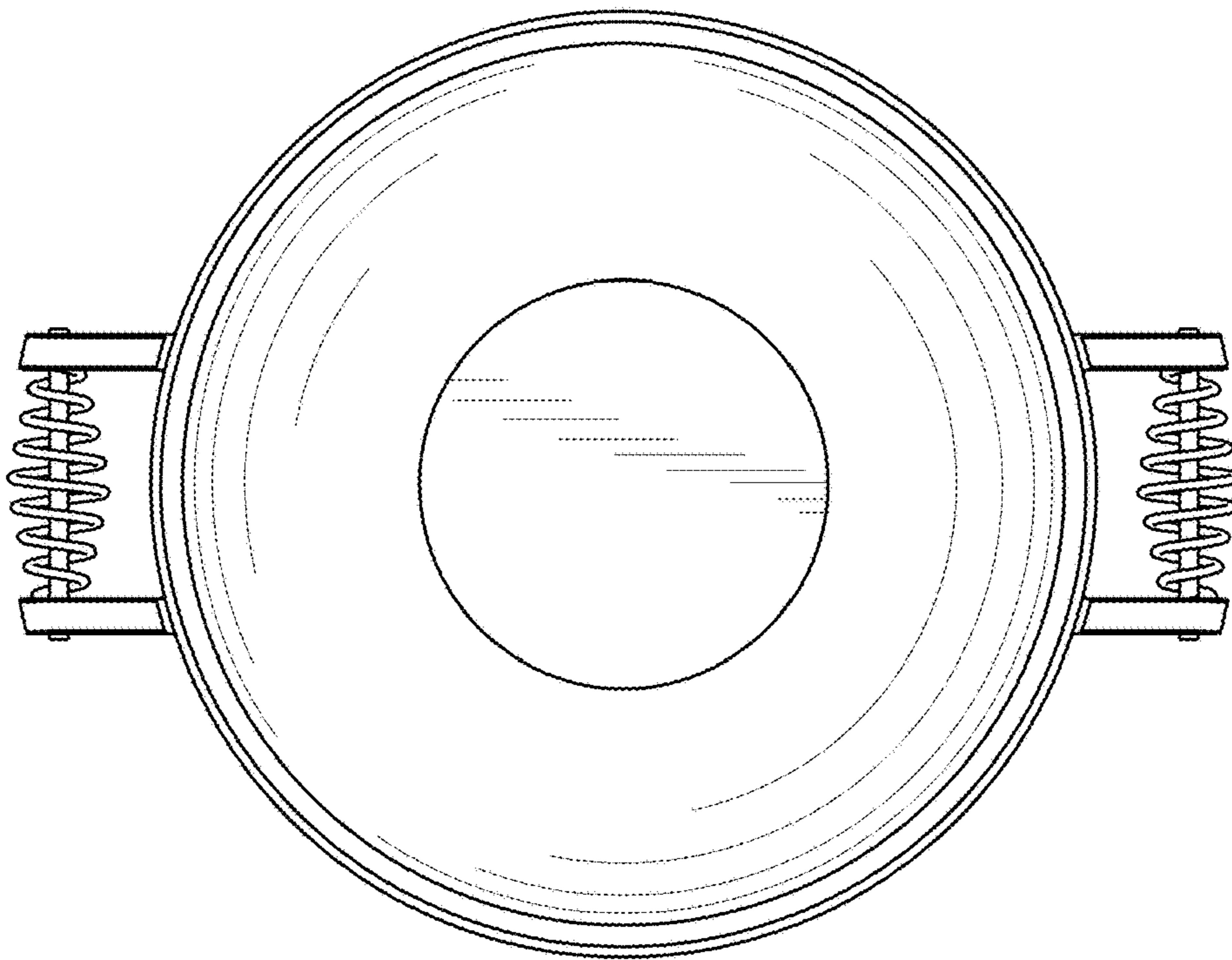


FIG. 7