



US00D843159S

(12) **United States Design Patent** (10) **Patent No.:** **US D843,159 S**
Kim et al. (45) **Date of Patent:** **** Mar. 19, 2019**

(54) **GAS COOKTOP**

(56) **References Cited**

(71) Applicant: **Samsung Electronics Co., Ltd.**,
Suwon-si (KR)
(72) Inventors: **Jaejun Kim**, Seoul (KR); **Jichang Kang**, Seoul (KR); **Hyunsoo Kim**,
Seongnam-si (KR); **Gisung Han**, Seoul
(KR)
(73) Assignee: **Samsung Electronics Co., Ltd.**,
Suwon-si (KR)
(**) Term: **15 Years**

U.S. PATENT DOCUMENTS

D551,501 S *	9/2007	Baldwin	D7/408
D622,543 S *	8/2010	Funnell	D7/408
D628,431 S *	12/2010	Funnell	D7/346
D764,220 S *	8/2016	Kim	D7/339
D765,459 S *	9/2016	Shoemaker	D7/339
D773,232 S *	12/2016	Shoemaker	D7/339
D782,863 S *	4/2017	Kamper	D7/339
D785,398 S *	5/2017	Kim	D7/340
D786,006 S *	5/2017	Chung	D7/340
D797,504 S *	9/2017	Shoemaker	D7/408
D798,661 S *	10/2017	Shoemaker	D7/408
D798,662 S *	10/2017	Shoemaker	D7/408
D812,958 S *	3/2018	Kim	D7/346

(21) Appl. No.: **29/622,075**

* cited by examiner

(22) Filed: **Oct. 13, 2017**

Primary Examiner — Ricky Pham

(30) **Foreign Application Priority Data**

(74) *Attorney, Agent, or Firm* — NSIP Law

Jun. 26, 2017 (KR) 30-2017-0029275

(51) **LOC (11) Cl.** **07-02**

(57) **CLAIM**

We claim the ornamental design for a gas cooktop, as shown and described.

(52) **U.S. Cl.**

USPC **D7/346**; D7/408; D7/409

DESCRIPTION

(58) **Field of Classification Search**

USPC D7/323, 328–330, 339–349, 390,
D7/402–409; D8/300–306

CPC ... A21B 2/00; A47J 37/00; A47J 37/06; A47J
37/0611; A47J 37/08; A47J 37/0807;
A47J 37/0814; A47J 37/0835; A47J
37/0842; A47J 37/085; A47J 37/0864;
A47J 37/0878; A47J 37/0885; A47J
37/0892; F24C 7/00; F24C 7/002; F24C
7/046; F24C 7/067; F24C 15/02; F24C
15/04; F24C 15/10; F24C 15/102

FIG. 1 is a front perspective view of a gas cooktop showing our new design;

FIG. 2 is a front elevational view thereof;

FIG. 3 is a rear elevational view thereof;

FIG. 4 is a left-side elevational view thereof;

FIG. 5 is a right-side elevational view thereof;

FIG. 6 is a top plan view thereof; and,

FIG. 7 is a bottom plan view thereof.

The broken lines in the figures depict environmental subject matter and form no part of the claimed design.

See application file for complete search history.

1 Claim, 7 Drawing Sheets

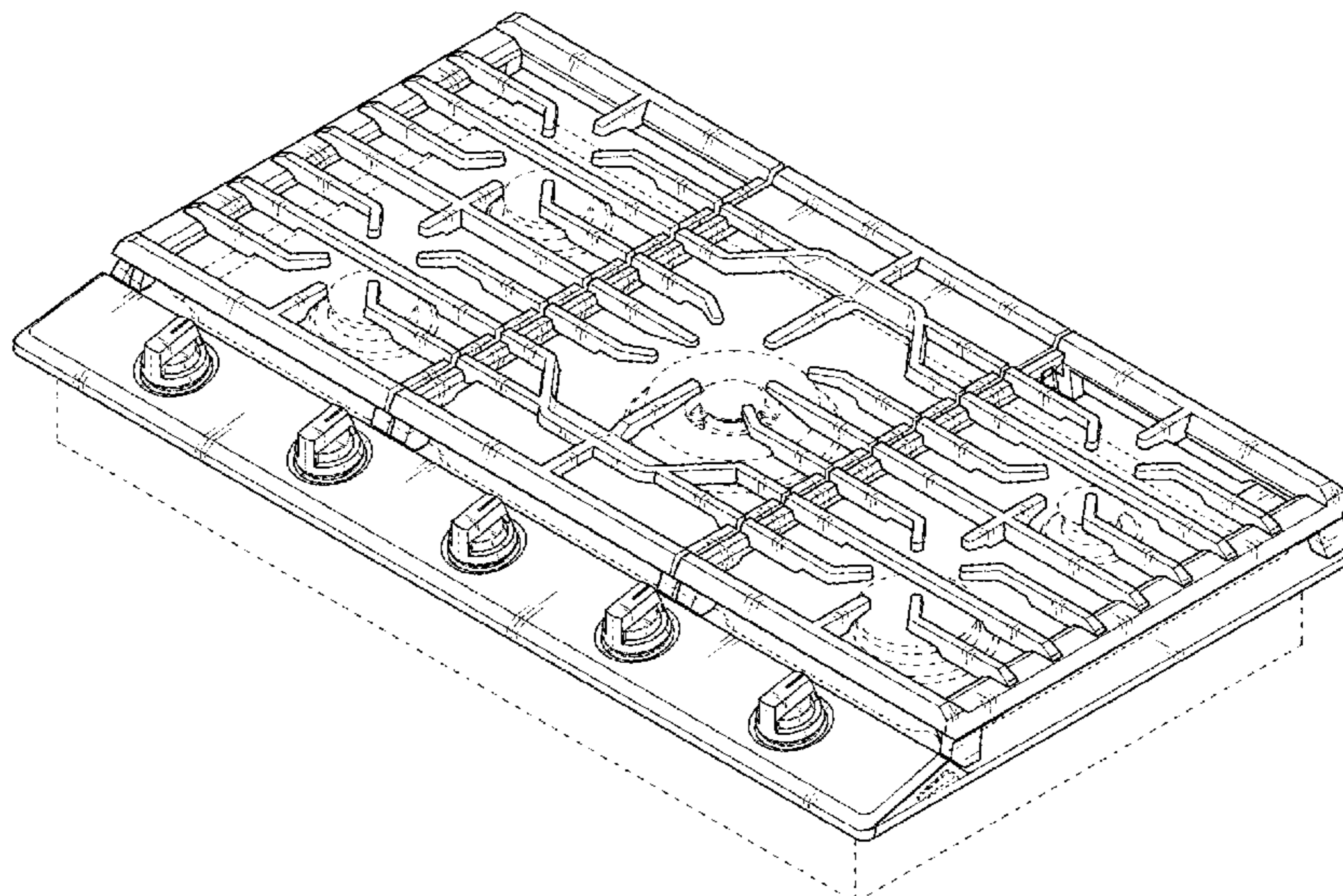


FIG. 1

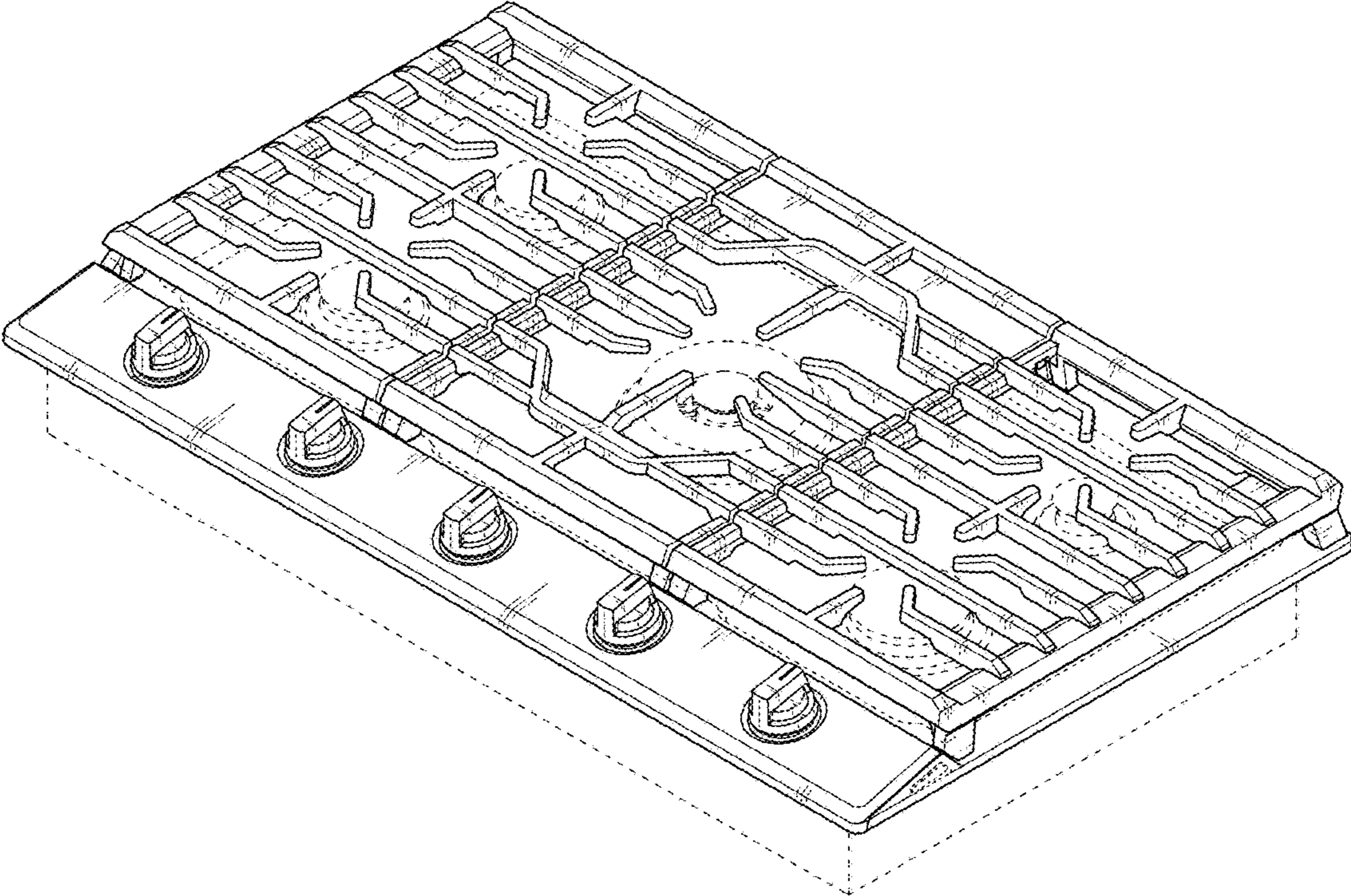


FIG. 2

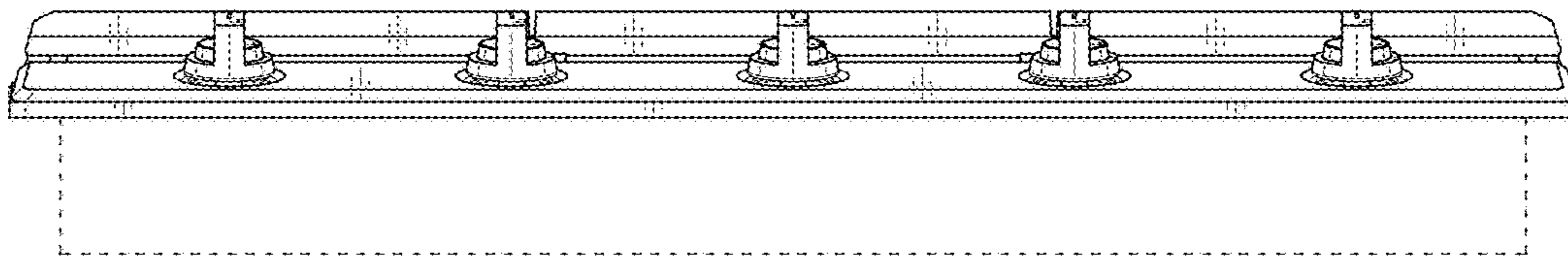


FIG. 3

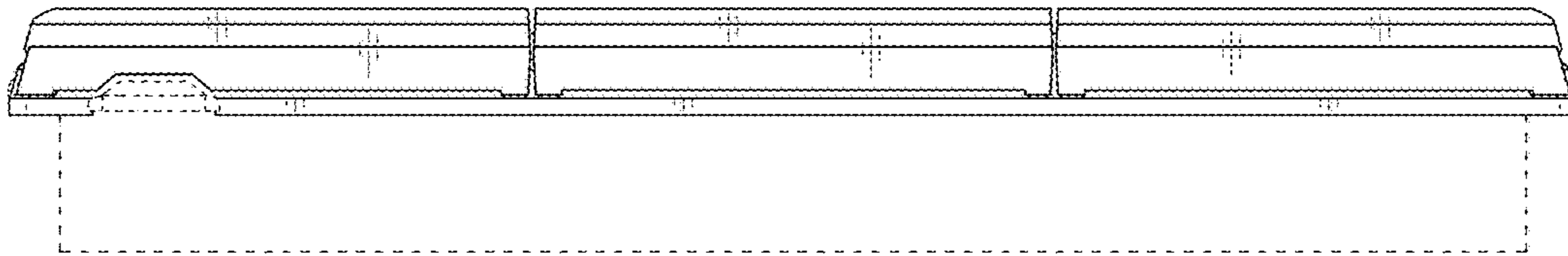


FIG. 4

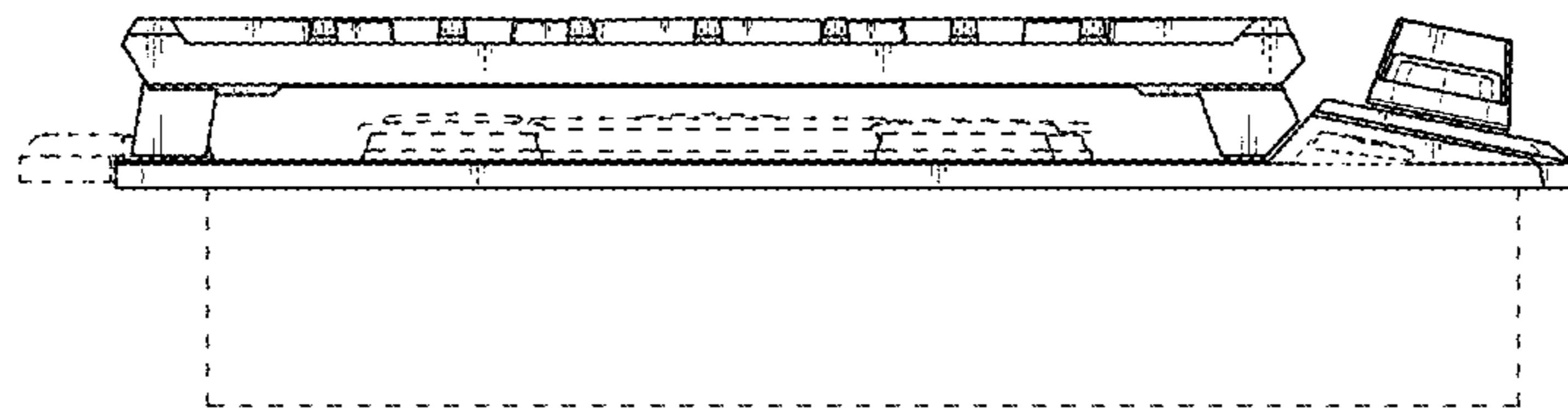


FIG. 5

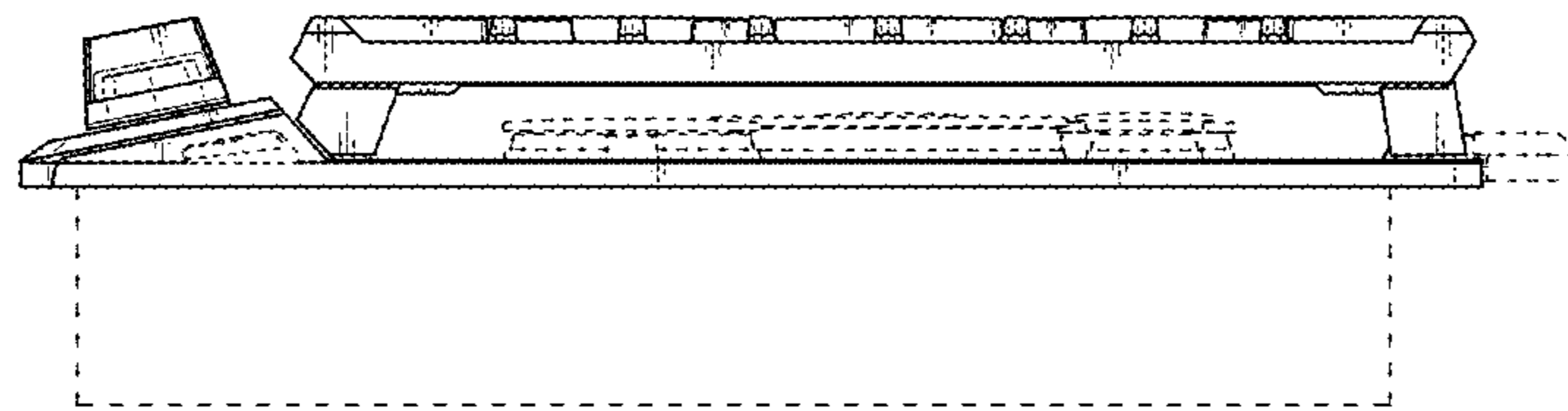


FIG. 6

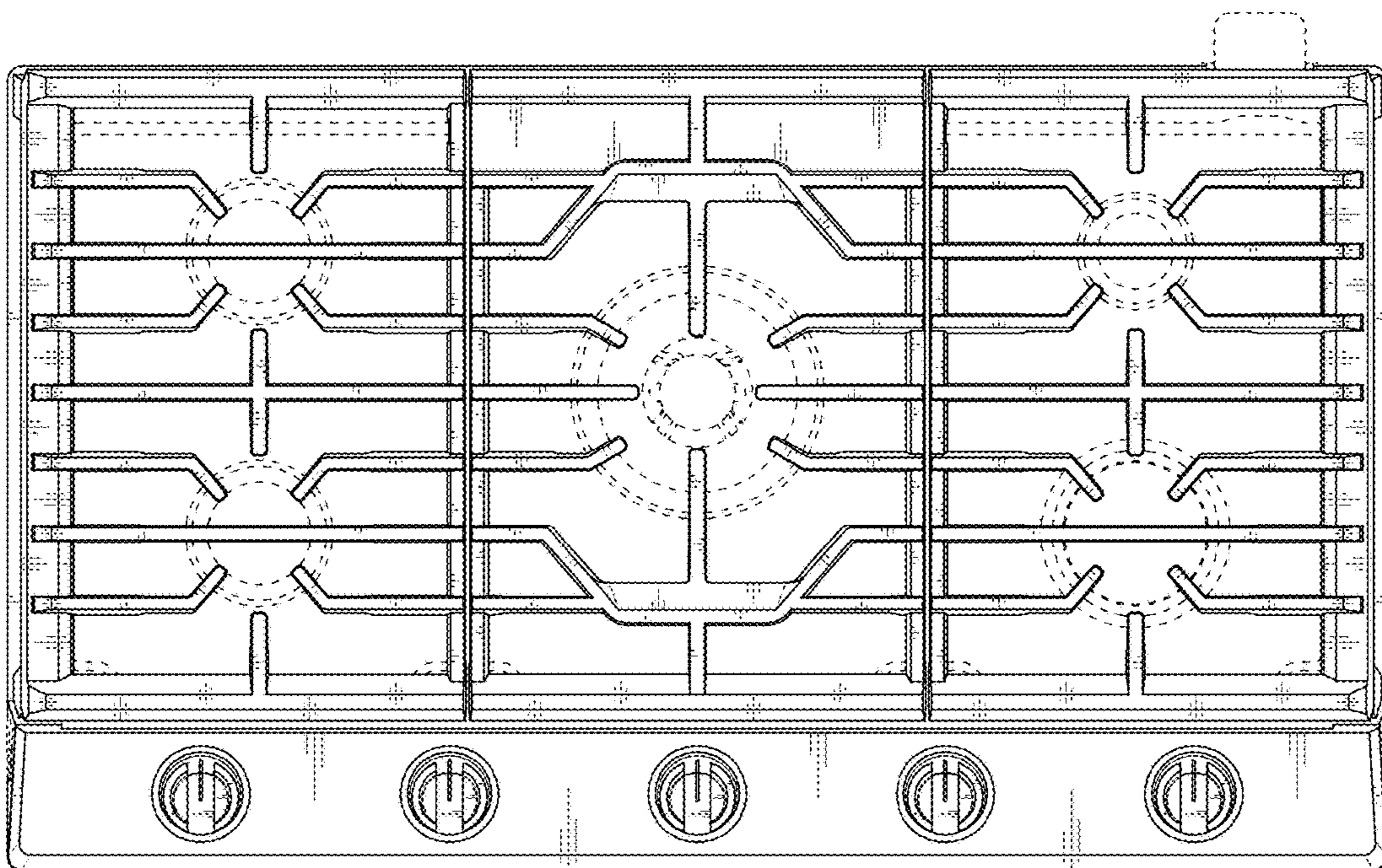


FIG. 7

