



US00D843156S

(12) **United States Design Patent** (10) **Patent No.:** **US D843,156 S**
Hebert, Jr. et al. (45) **Date of Patent:** **** Mar. 19, 2019**

(54) **PORTABLE STOVE**

OTHER PUBLICATIONS

(71) Applicants: **Michael E. Hebert, Jr.**, Amherst, NH (US); **Adam E. Wilcox**, Candia, NH (US); **Garrett Casey**, Windham, NH (US)

U.S. Appl. No. 29/529,226, filed Jun. 4, 2015, Hebert et al.

Primary Examiner — Derrick E Holland

Assistant Examiner — Andrew Kerr

(74) *Attorney, Agent, or Firm* — Reinhart Boerner Van Deuren P.C.

(72) Inventors: **Michael E. Hebert, Jr.**, Amherst, NH (US); **Adam E. Wilcox**, Candia, NH (US); **Garrett Casey**, Windham, NH (US)

(57) **CLAIM**

The ornamental design for a portable stove, as shown and described.

(73) Assignee: **Johnson Outdoors Inc.**, Racine, WI (US)

DESCRIPTION

(**) Term: **15 Years**

(21) Appl. No.: **29/599,533**

(22) Filed: **Apr. 4, 2017**

(51) **LOC (11) Cl.** **07-02**

(52) **U.S. Cl.**
USPC **D7/337**

(58) **Field of Classification Search**
USPC D7/337, 332, 323, 327, 329, 334, 362, D7/367, 387, 402, 403, 408, 409, 213;
(Continued)

FIG. 1 is a front, top, and left side perspective view of a portable stove, showing our new design;
FIG. 2 is a back, top, and right side perspective view thereof;
FIG. 3 is a front, bottom, and left side perspective view thereof;
FIG. 4 is a back, bottom, and left side perspective view thereof;
FIG. 5 is a front, bottom, and left side perspective view thereof;
FIG. 6 is a front view thereof;
FIG. 7 is a back view thereof;
FIG. 8 is a right side view thereof;
FIG. 9 is a left side view thereof;
FIG. 10 is a top plan view thereof;
FIG. 11 is a bottom plan view thereof;
FIG. 12 is a front, top, and left side perspective view thereof, in use condition;
FIG. 13 is a front, top, and left side exploded perspective view thereof;
FIG. 14 is a back, top and right side exploded perspective view thereof; and,
FIG. 15 is a back, top, and right side perspective view thereof, in use condition.

The broken lines in the drawing views represent environment structure and form no part of the claimed design.

(56) **References Cited**

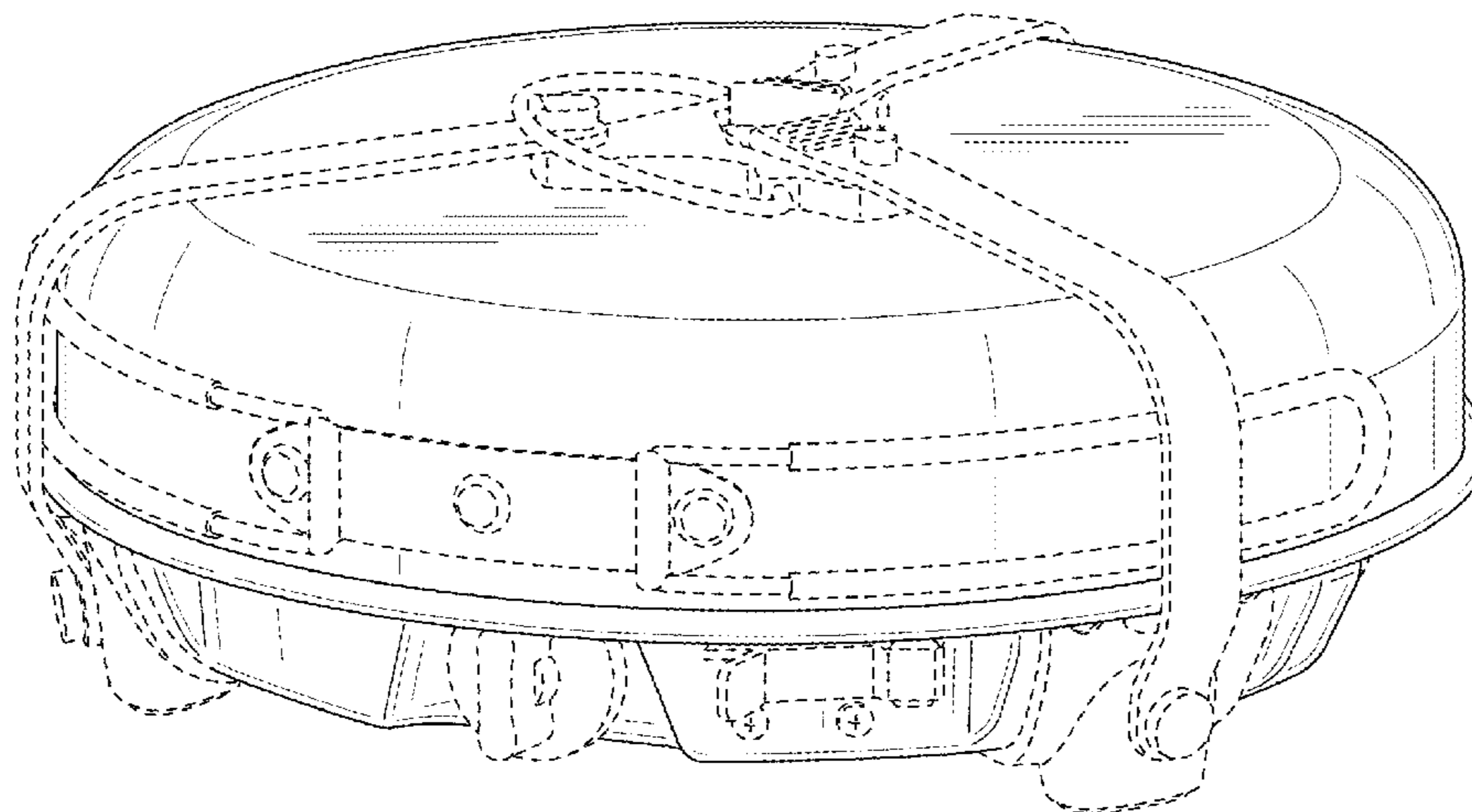
U.S. PATENT DOCUMENTS

101,621 A 4/1870 Hulbert, Jr.
189,787 A 4/1877 Rothschild, Jr.
(Continued)

FOREIGN PATENT DOCUMENTS

CA 2613858 A1 5/2009
GB 2 404 434 A 2/2006
KR 200459573 Y1 3/2012

1 Claim, 15 Drawing Sheets



(58) **Field of Classification Search**
 USPC D9/424-426, 428, 429; D3/201, 203.1,
 D3/203.2, 203.3; D15/145, 146
 CPC A47J 36/24; A47J 36/2461; F24C 15/10;
 F24C 5/00; F24C 7/00; B65D 1/00;
 B65D 11/00; B65D 11/02; B65D 21/00;
 B65D 37/00; B65D 43/00
 See application file for complete search history.

(56) **References Cited**
 U.S. PATENT DOCUMENTS

| | | | | |
|-----------|-----|---------|--------------------|--------|
| D33,885 | S | 1/1901 | Richmond | |
| 1,201,138 | A | 10/1916 | Bingham | |
| 2,073,813 | A | 3/1937 | Slezak | |
| 2,278,734 | A | 4/1942 | Perry | |
| D143,360 | S | 8/1945 | Stempel et al. | |
| D184,450 | S | 2/1959 | Morton | |
| 3,140,740 | A | 7/1964 | Lagreid et al. | |
| D216,233 | S | 12/1969 | Gruver, Jr. et al. | |
| D227,850 | S | 7/1973 | Benson | |
| D229,448 | S | 11/1973 | Traclet | |
| 3,783,856 | A | 1/1974 | Amos | |
| 3,789,821 | A | 2/1974 | Fick et al. | |
| 3,804,076 | A | 4/1974 | Fant et al. | |
| D245,220 | S | 8/1977 | Chan | |
| D247,993 | S | 5/1978 | Calzone, III | |
| D251,893 | S | 5/1979 | Chan | |
| D251,894 | S | 5/1979 | Chan | |
| 4,643,164 | A | 2/1987 | LaForge | |
| D295,818 | S | 5/1988 | Chan | |
| 4,954,075 | A | 9/1990 | Francino | |
| D376,724 | S | 12/1996 | Mendelson et al. | |
| D387,240 | S | 12/1997 | Simmonds et al. | |
| 5,860,410 | A | 1/1999 | Hollingsworth, Jr. | |
| D406,722 | S | 3/1999 | Benton et al. | |
| 6,038,965 | A | 3/2000 | Thorndyke | |
| 6,202,640 | B1 | 3/2001 | Naperola et al. | |
| D439,801 | S | 4/2001 | Measom | |
| D442,822 | S * | 5/2001 | Lin | D7/337 |
| D449,204 | S | 10/2001 | Groll | |
| D463,953 | S * | 10/2002 | Hsu | D7/402 |
| D469,298 | S | 1/2003 | Hinton et al. | |
| D499,883 | S | 12/2004 | Perella et al. | |
| D502,840 | S * | 3/2005 | Schulte | D7/337 |

| | | | | |
|--------------|------|---------|-------------------|-------------------------|
| D522,306 | S | 6/2006 | Wilgus et al. | |
| D532,642 | S * | 11/2006 | Wilgus | D7/337 |
| D542,592 | S * | 5/2007 | Lubowicki | D7/362 |
| D570,639 | S | 6/2008 | Nardone | |
| D576,444 | S | 9/2008 | Chung | |
| D586,612 | S | 2/2009 | Rae | |
| D592,005 | S | 5/2009 | Richardson et al. | |
| D600,971 | S | 9/2009 | Garpelin | |
| D612,665 | S * | 3/2010 | Hillard | D7/360 |
| D618,038 | S | 6/2010 | Davies et al. | |
| D618,506 | S | 6/2010 | Offredi | |
| 7,806,138 | B1 | 10/2010 | Frantz | |
| D642,373 | S | 8/2011 | Decarlo et al. | |
| D669,730 | S | 10/2012 | Mandil | |
| D677,124 | S | 3/2013 | Montgomery | |
| D677,516 | S | 3/2013 | Cloutier | |
| D680,799 | S | 4/2013 | Chung | |
| 8,596,863 | B2 | 12/2013 | Lascanec et al. | |
| D698,197 | S | 1/2014 | Andersson | |
| D701,721 | S | 4/2014 | Jan | |
| D755,002 | S | 5/2016 | Garman | |
| D784,064 | S | 4/2017 | Hebert et al. | |
| D793,794 | S * | 8/2017 | Hebert, Jr. | D7/337 |
| D796,253 | S * | 9/2017 | Shen | D7/362 |
| D807,108 | S * | 1/2018 | Borovicka | D7/362 |
| D815,898 | S * | 4/2018 | Castriota | D7/402 |
| D818,315 | S * | 5/2018 | Walker | D7/409 |
| 2005/0132897 | A1 * | 6/2005 | Umali | A47J 33/00 99/339 |
| 2005/0268902 | A1 | 12/2005 | Mosher, II et al. | |
| 2006/0185660 | A1 | 8/2006 | Sords | |
| 2007/0034198 | A1 | 2/2007 | Arad | |
| 2007/0087297 | A1 | 4/2007 | Long | |
| 2007/0095337 | A1 | 5/2007 | Mosher, II | |
| 2007/0108197 | A1 | 5/2007 | Richardson et al. | |
| 2008/0029082 | A1 | 2/2008 | Dowst et al. | |
| 2008/0135037 | A1 * | 6/2008 | Hards | A47J 27/026 126/21 A |
| 2009/0280447 | A1 | 11/2009 | Long | |
| 2010/0206884 | A1 | 8/2010 | Tunstall | |
| 2010/0275897 | A1 | 11/2010 | May | |
| 2011/0253030 | A1 | 10/2011 | Lecanec et al. | |
| 2012/0125317 | A1 | 5/2012 | Caprathe | |
| 2014/0209083 | A1 | 7/2014 | Young | |
| 2014/0290640 | A1 | 10/2014 | Kim | |
| 2014/0338652 | A1 | 11/2014 | Hagström et al. | |

* cited by examiner

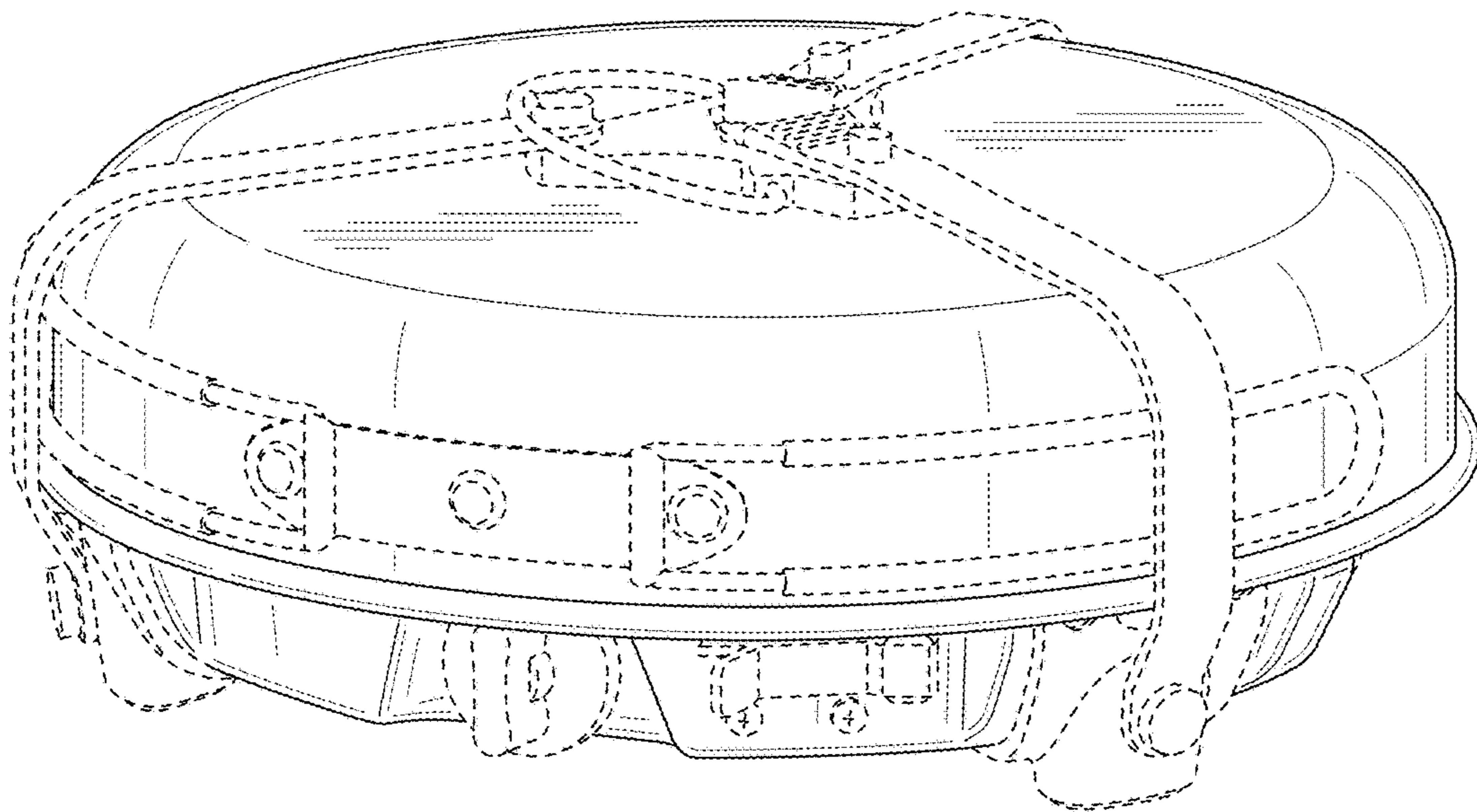


FIG. 1

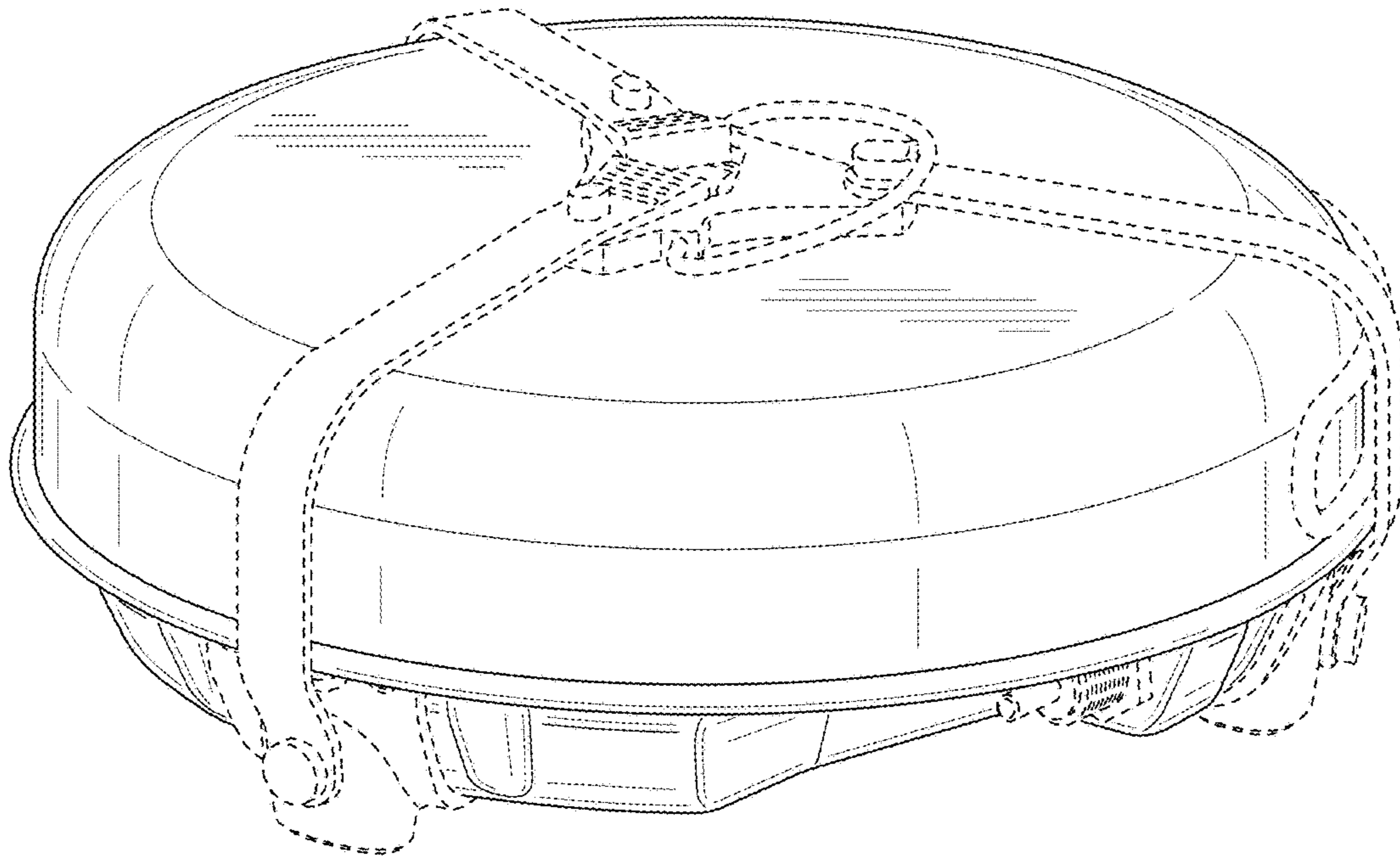


FIG. 2

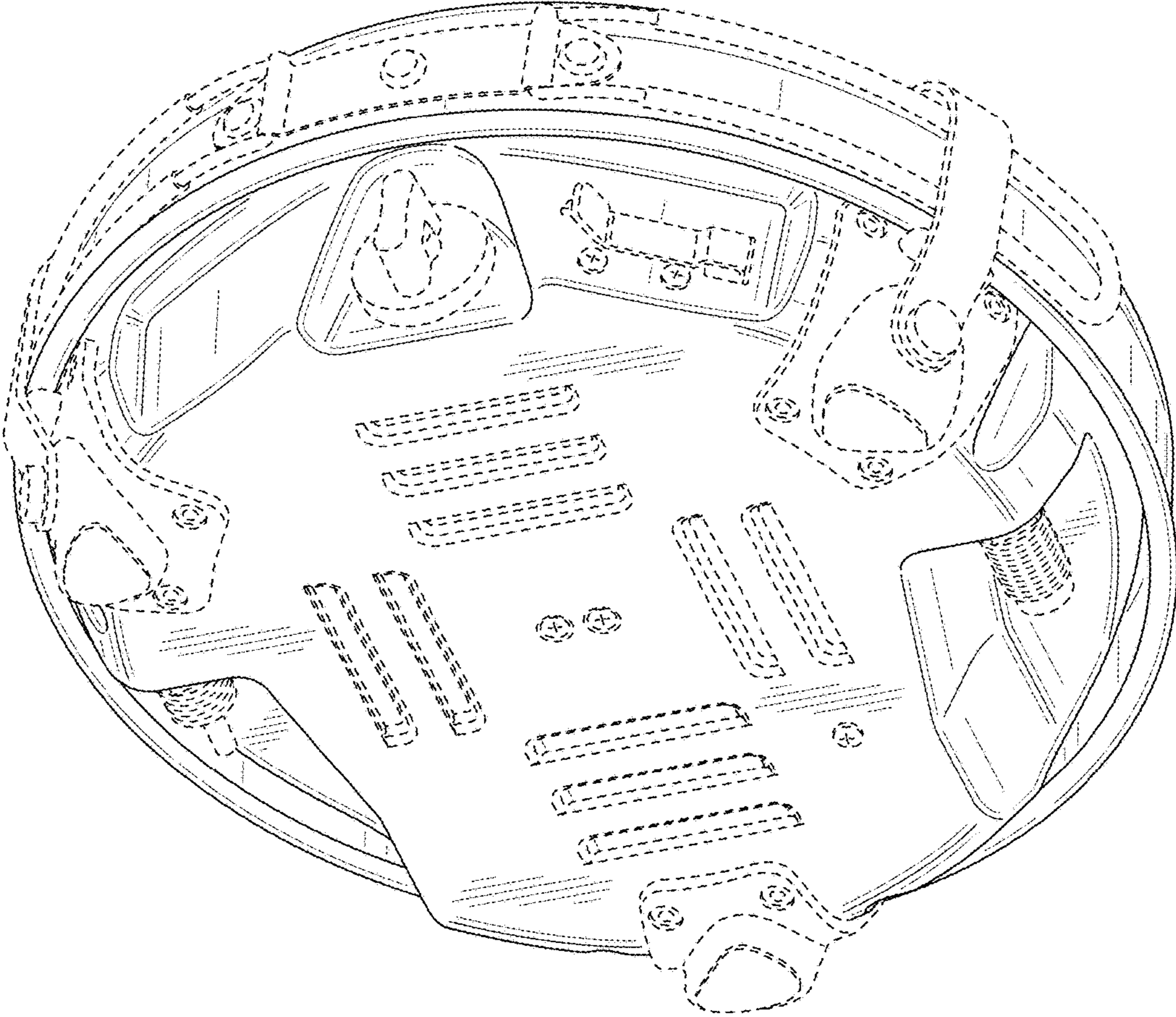


FIG. 3

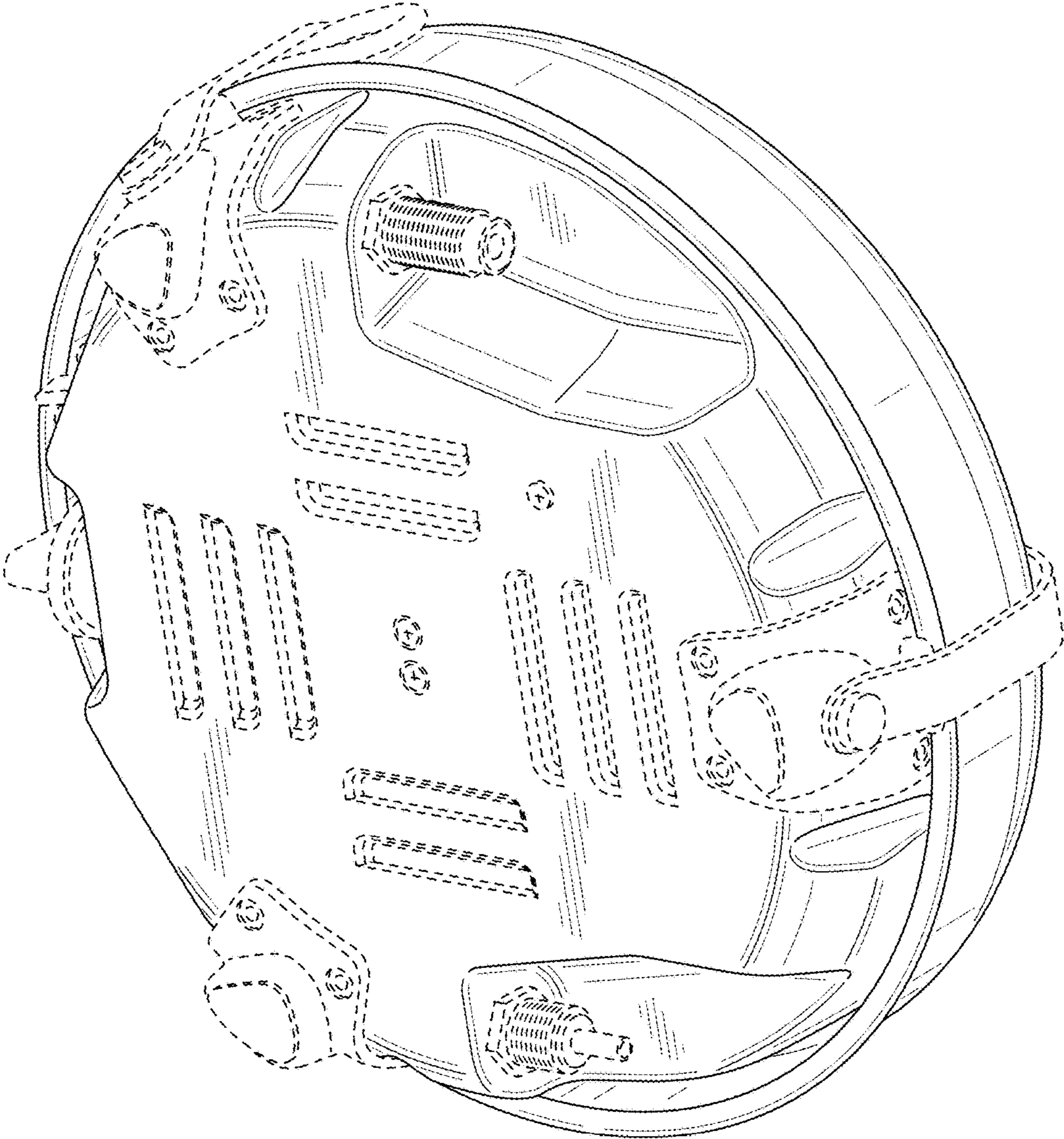


FIG. 4

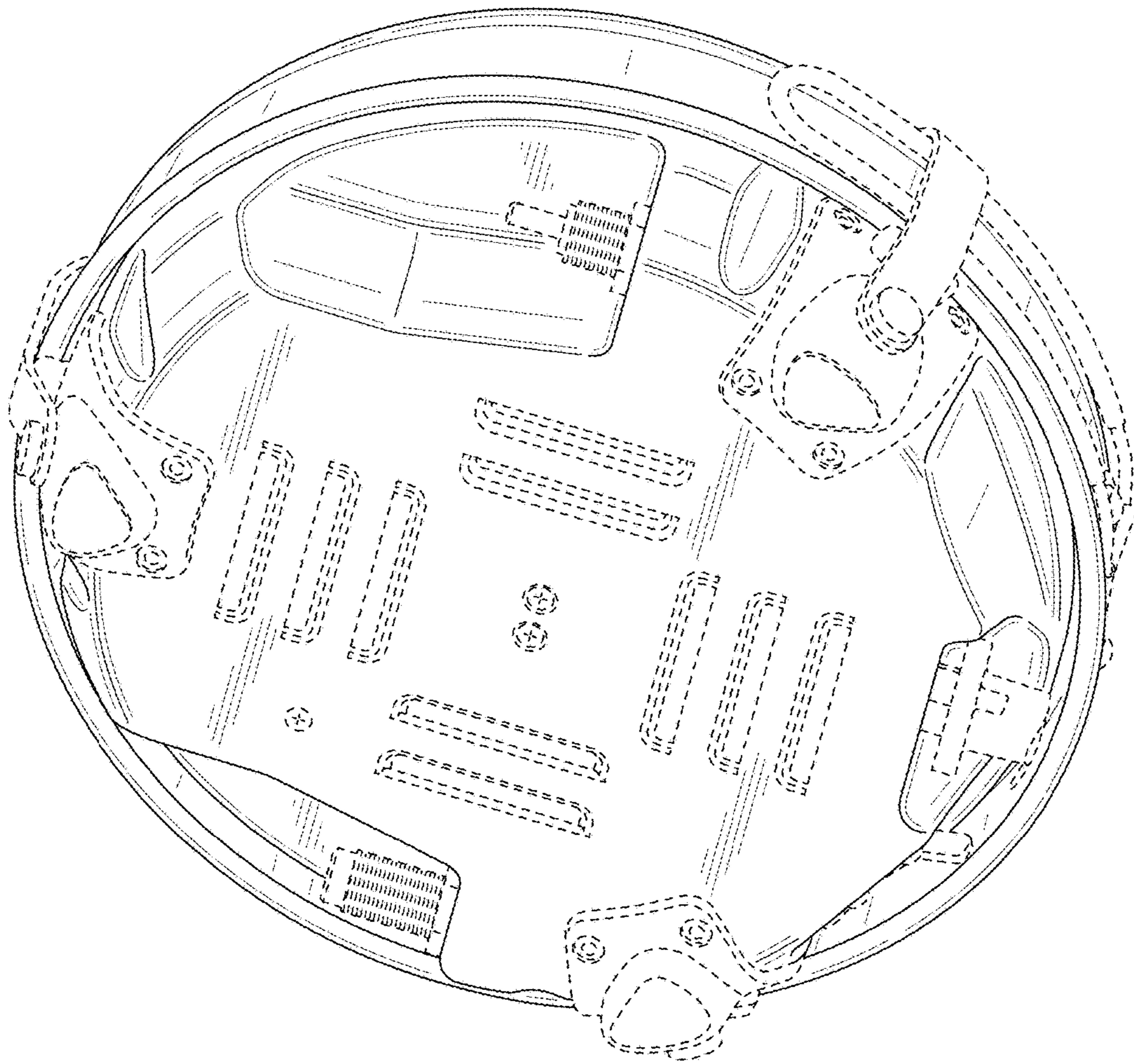


FIG. 5

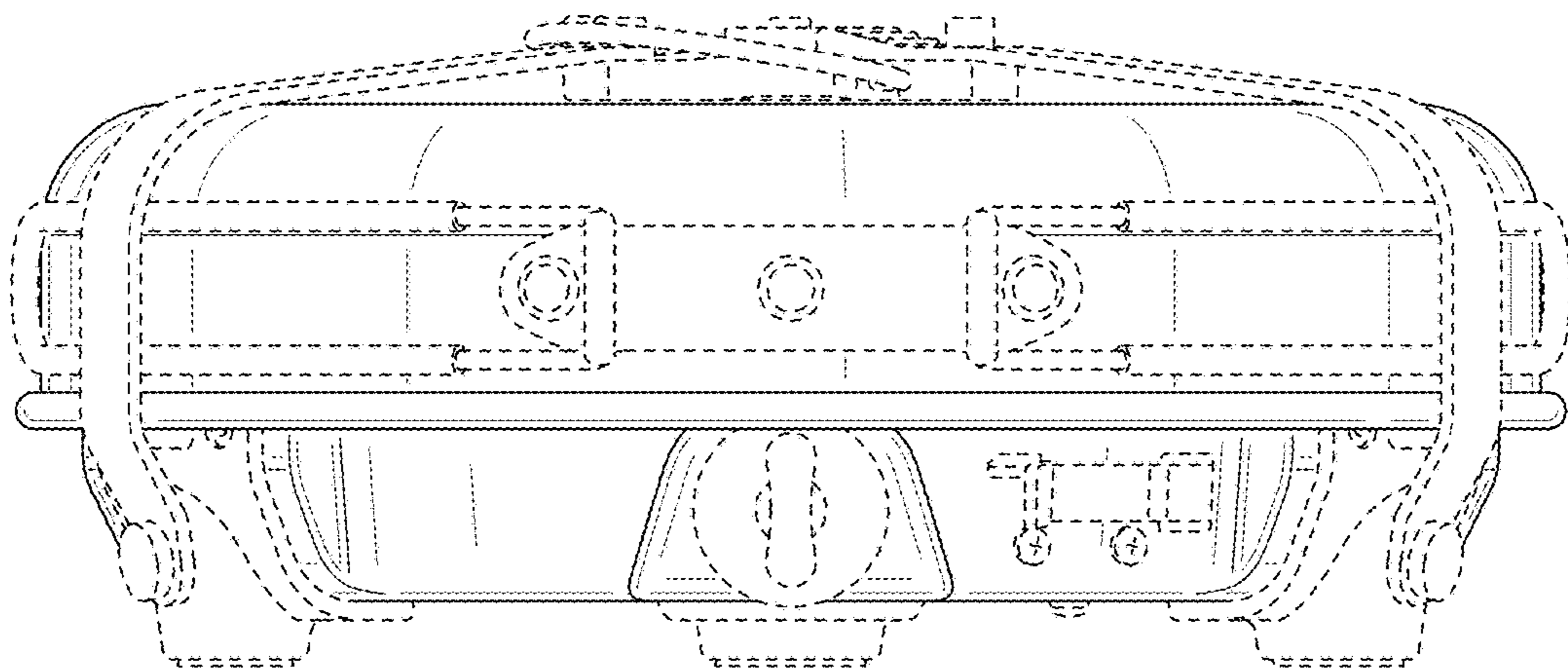


FIG. 6

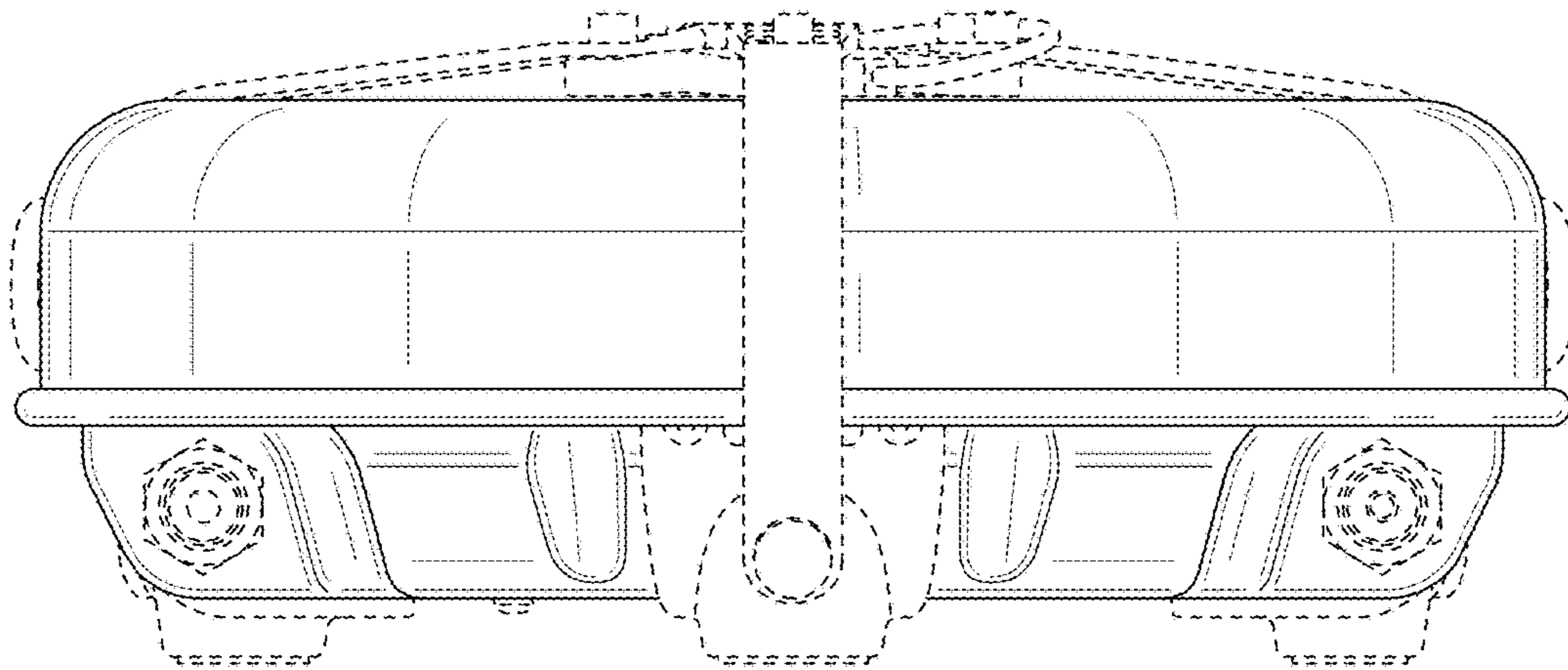


FIG. 7

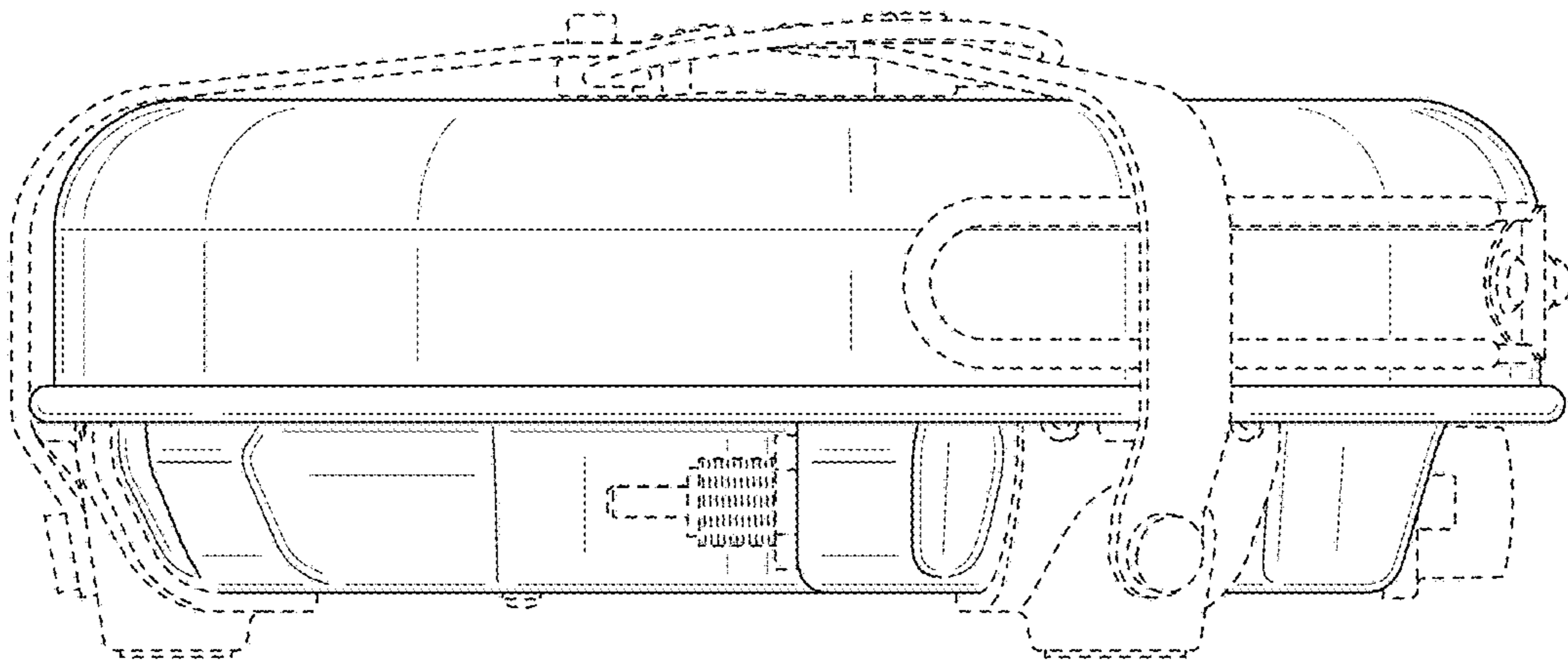


FIG. 8

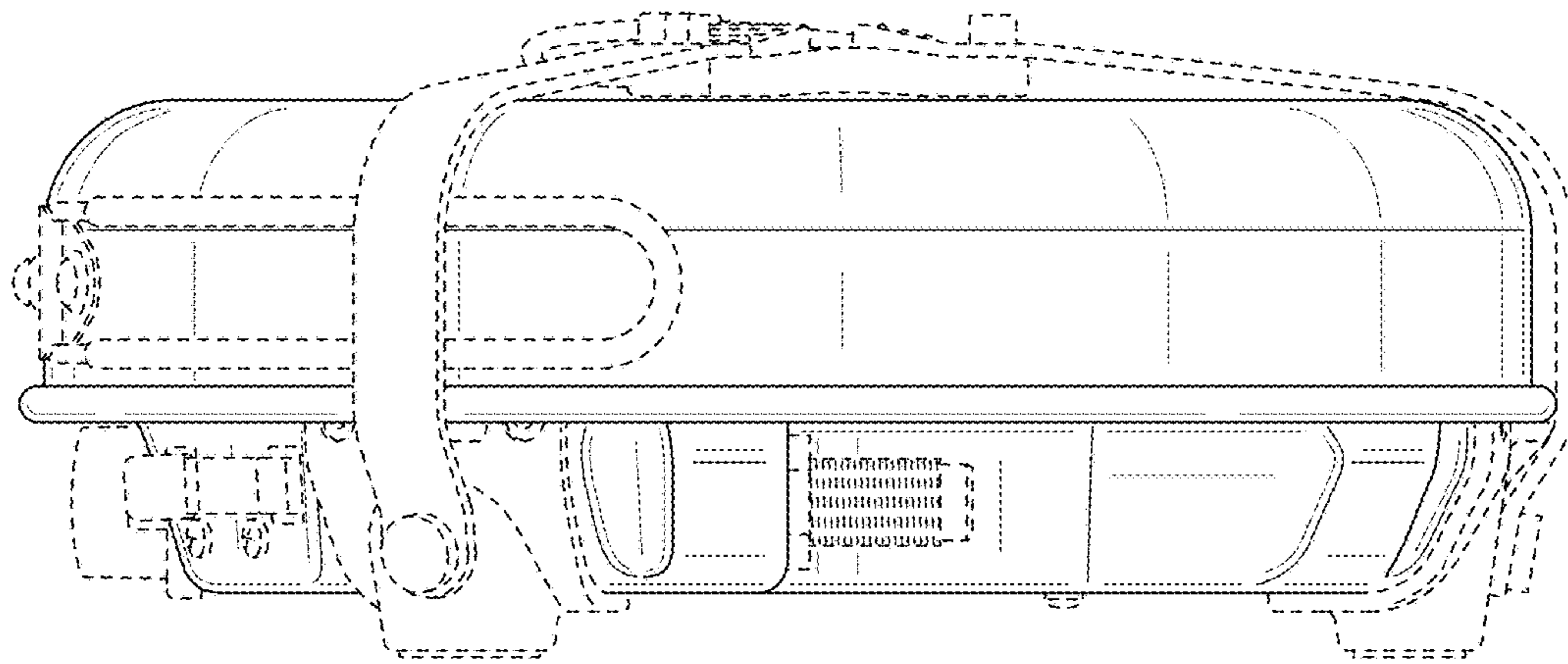


FIG. 9

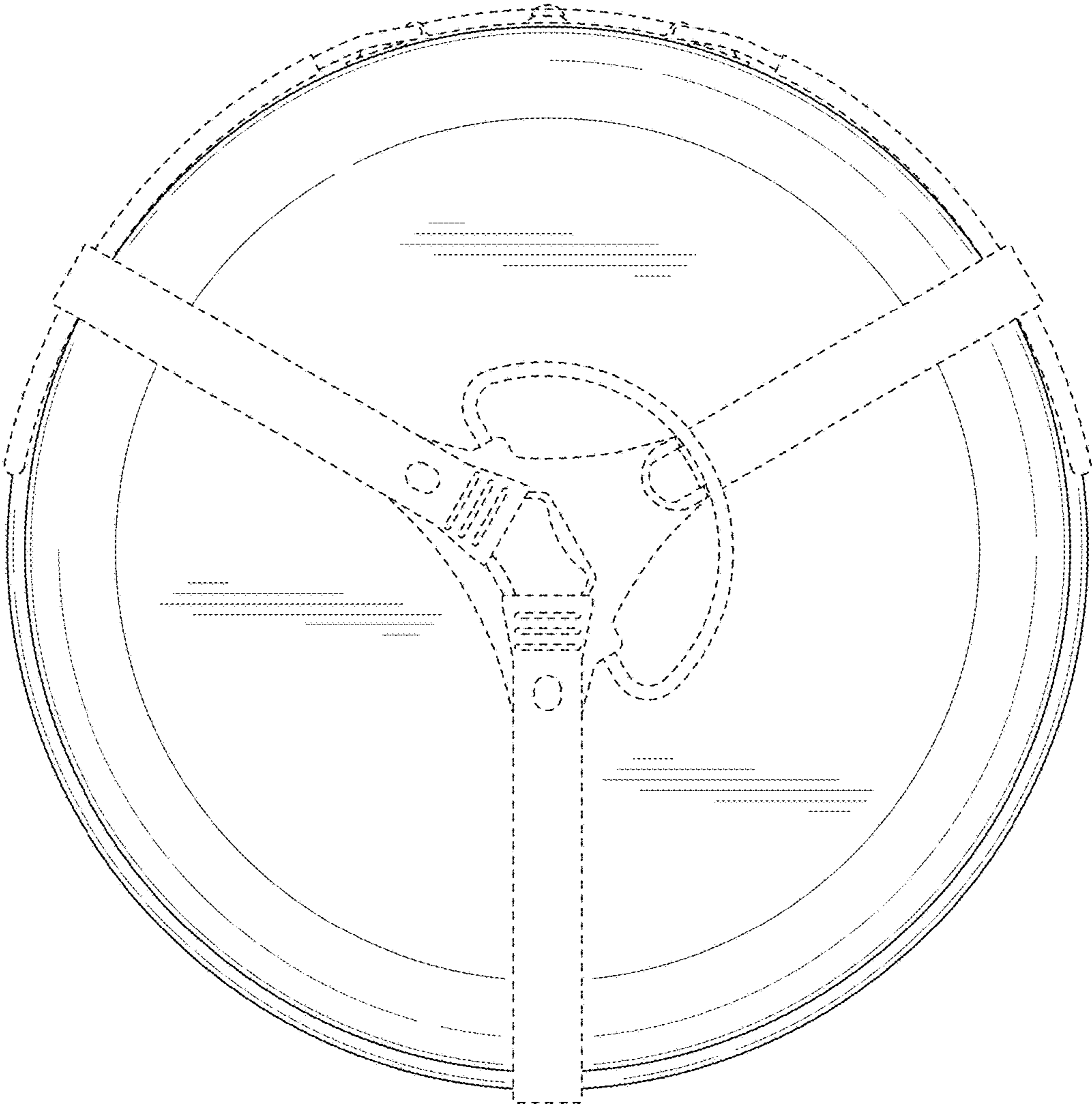


FIG. 10

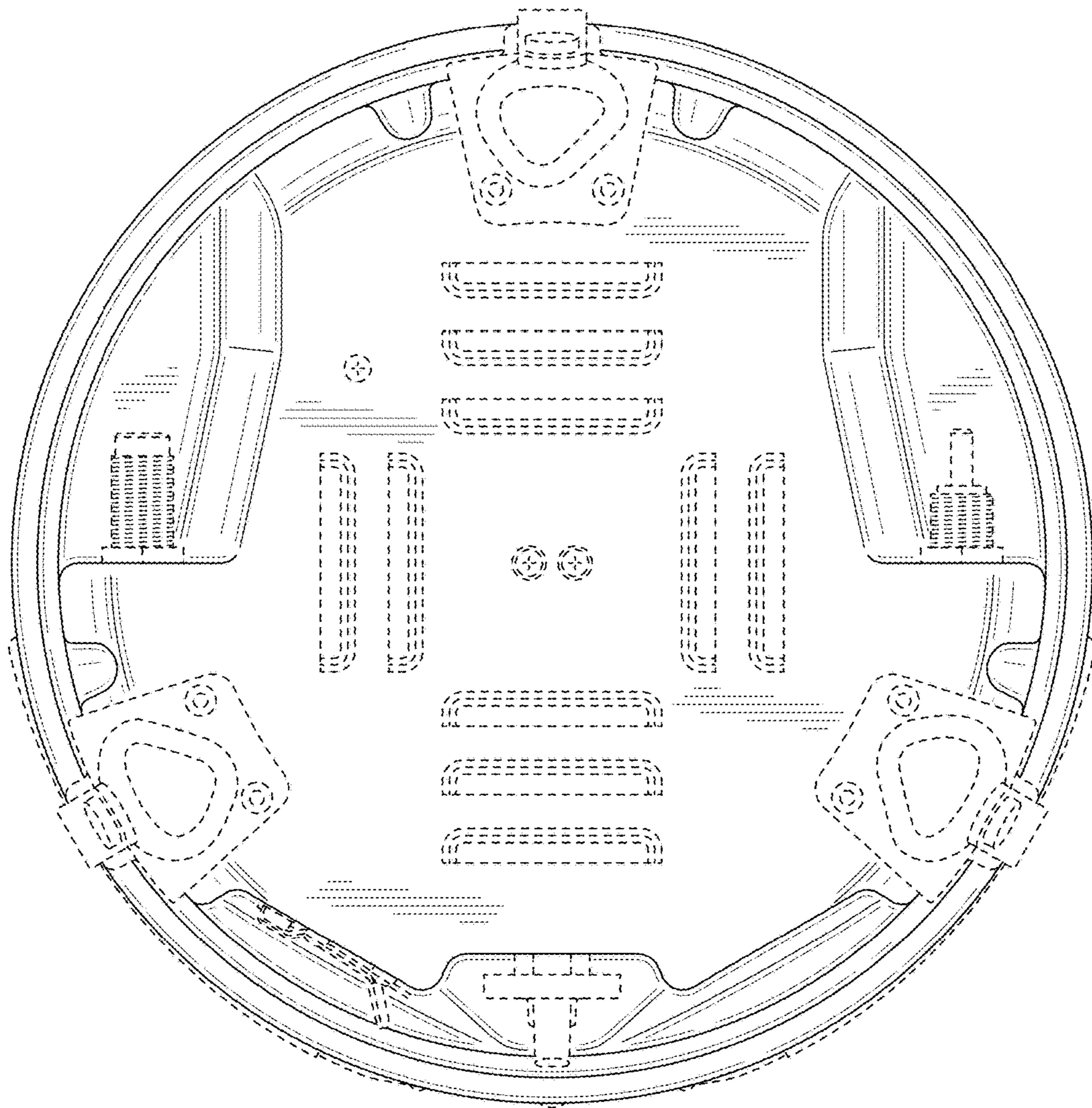


FIG. 11

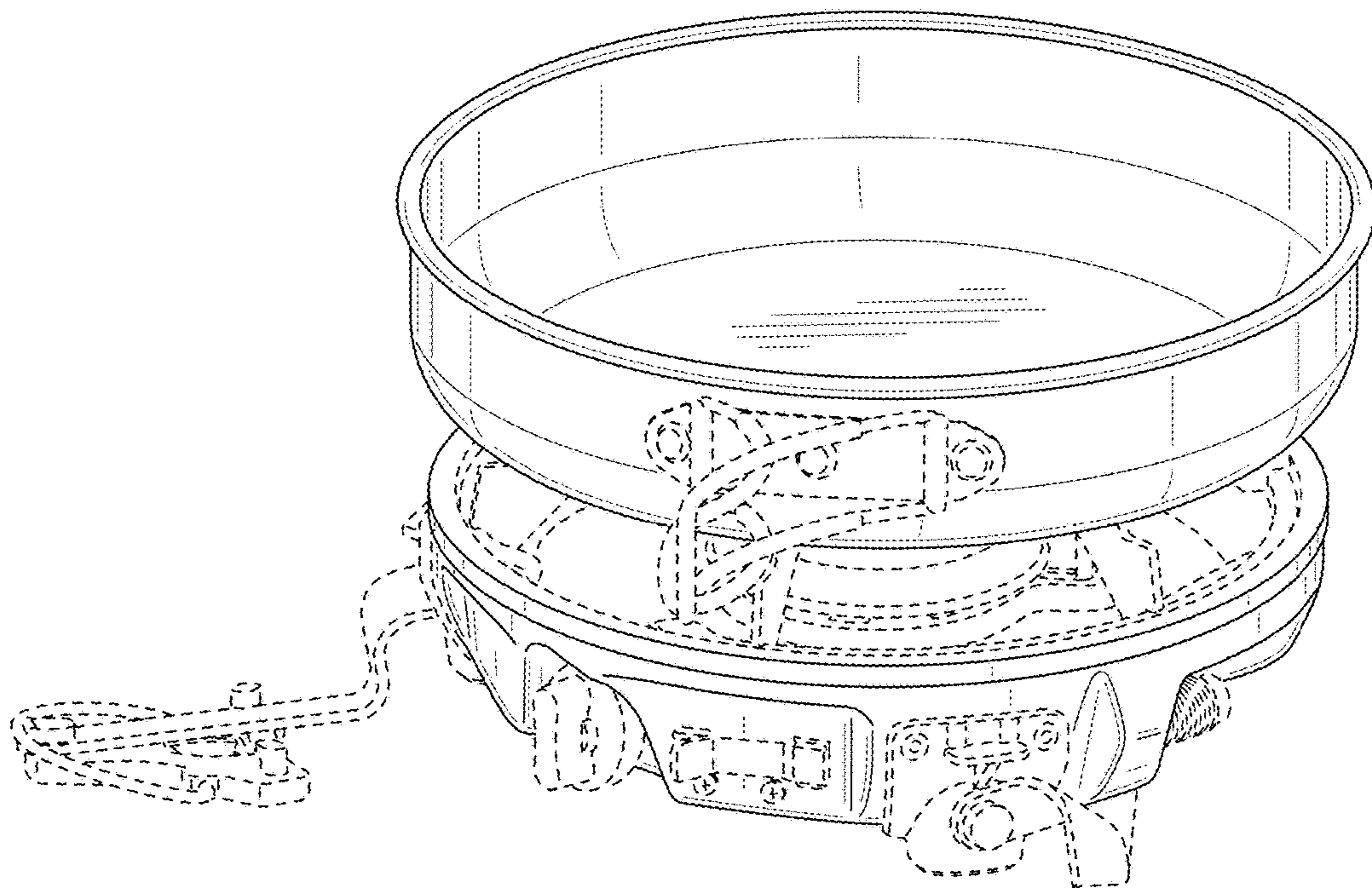


FIG. 12

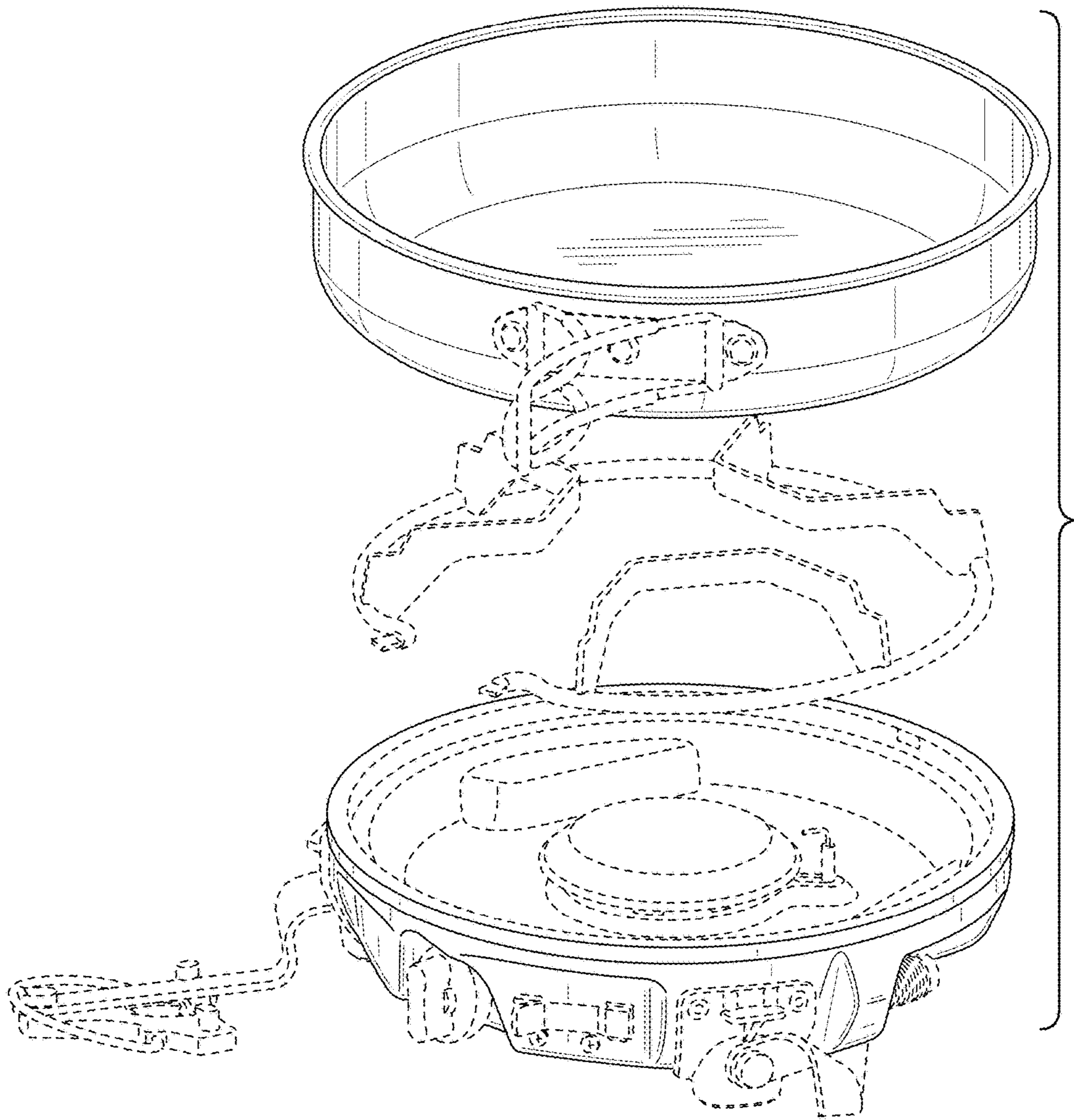


FIG. 13

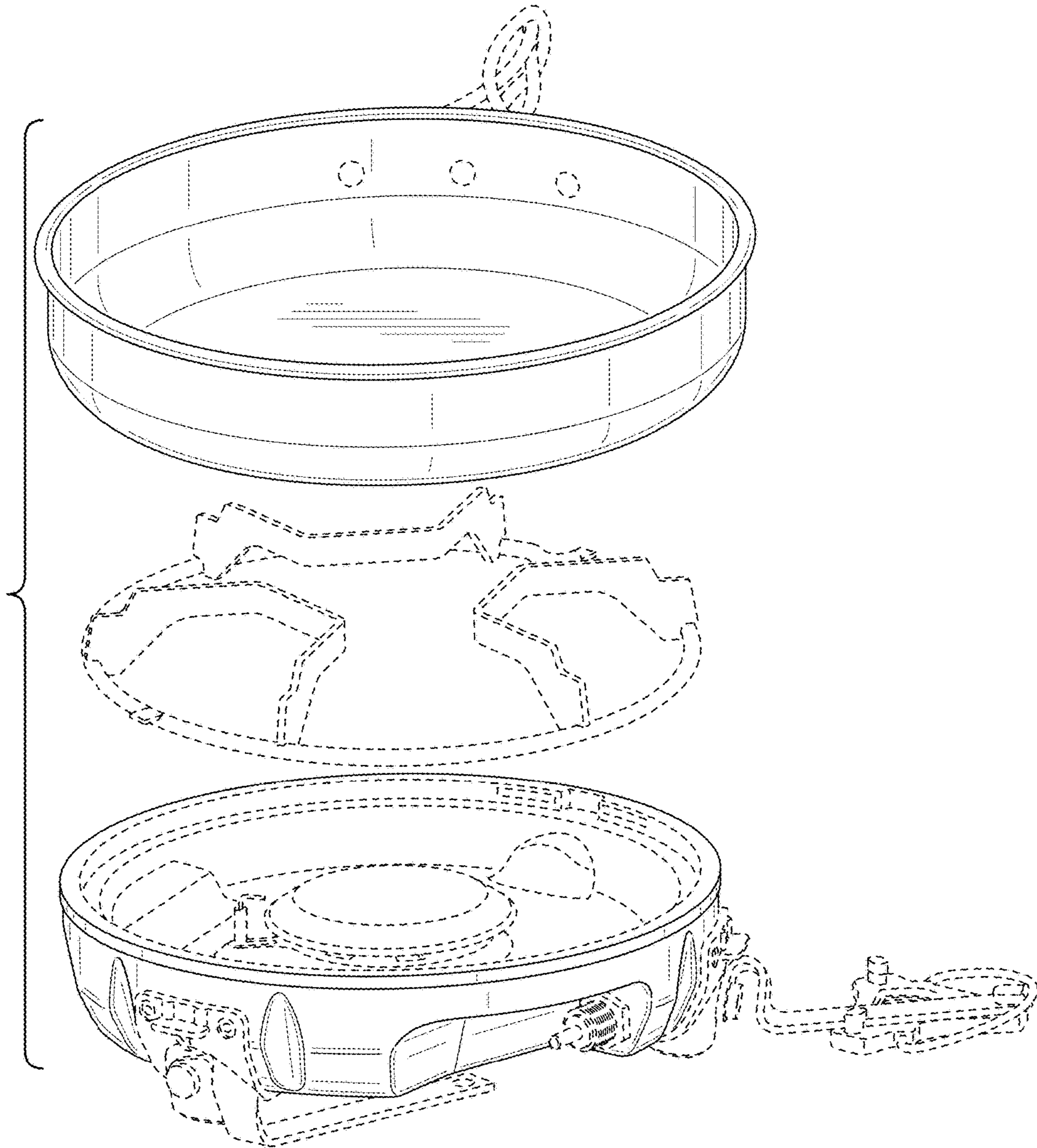


FIG. 14

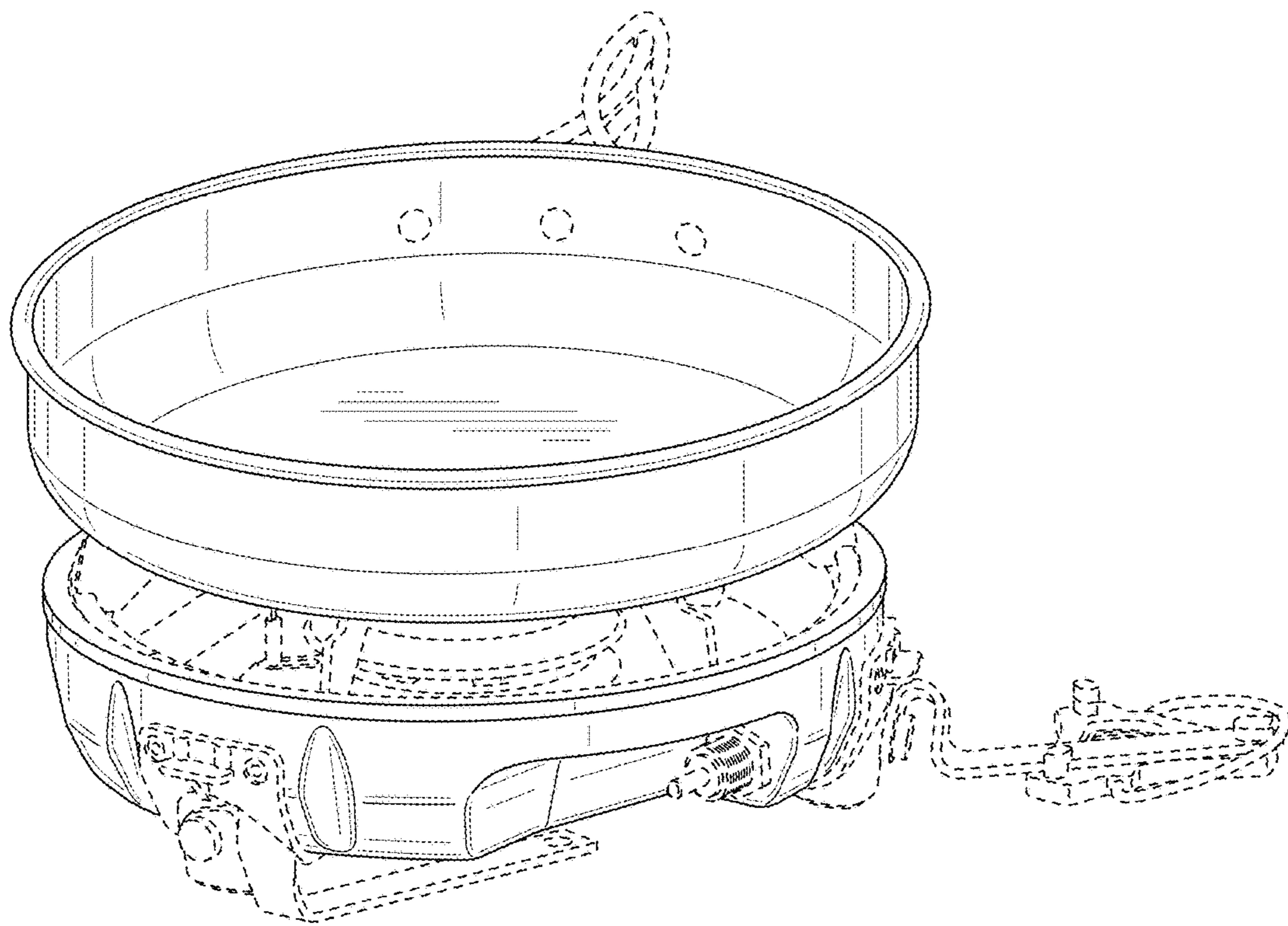


FIG. 15