



US00D843155S

(12) **United States Design Patent** (10) **Patent No.:** **US D843,155 S**
Kestenbaum (45) **Date of Patent:** **** Mar. 19, 2019**

- (54) **CARAFE**
- (71) Applicant: **SharkNinja Operating LLC**,
Needham, MA (US)
- (72) Inventor: **Daniel Kestenbaum**, Brookline, MA
(US)
- (73) Assignee: **SHARKNINJA OPERATING LLC**,
Newton, MA (US)
- (**) Term: **15 Years**
- (21) Appl. No.: **29/622,046**
- (22) Filed: **Oct. 13, 2017**

- D584,912 S 1/2009 Green et al.
- D585,691 S 2/2009 Borin
- D598,693 S 8/2009 Kindler et al.
- D598,695 S 8/2009 Currie
- (Continued)

OTHER PUBLICATIONS

Application for Registration of an Industrial Design Examiner's Report; Canadian Application No. 171623; dated Feb. 17, 2017; 1 Page.

(Continued)

Primary Examiner — Derrick E Holland
Assistant Examiner — Andrew Kerr
(74) *Attorney, Agent, or Firm* — Cantor Colburn LLP

Related U.S. Application Data

- (62) Division of application No. 29/564,778, filed on May 16, 2016, now Pat. No. Des. 802,978.
- (51) **LOC (11) Cl.** **07-01**
- (52) **U.S. Cl.**
USPC **D7/318**
- (58) **Field of Classification Search**
USPC D7/300, 312, 316, 317, 318, 321;
D9/516, 523, 544, 545, 549
CPC A47J 31/06; A47G 19/14; A47G 19/145;
B65D 43/02; B01D 35/02
See application file for complete search history.

(57) **CLAIM**

The ornamental design for a carafe, as shown and described.

DESCRIPTION

FIG. 1 is a perspective view of a carafe, showing our new design in a first embodiment;
FIG. 2 is a front view thereof;
FIG. 3 is a rear view thereof;
FIG. 4 is a left side view thereof;
FIG. 5 is a right side view thereof;
FIG. 6 is a top view thereof;
FIG. 7 is a bottom view thereof;
FIG. 8 is a perspective view of a carafe, showing our new design in a second embodiment;
FIG. 9 is a front view thereof;
FIG. 10 is a rear view thereof;
FIG. 11 is a left side view thereof;
FIG. 12 is a right side view thereof;
FIG. 13 is a top view thereof; and,
FIG. 14 is a bottom view thereof.

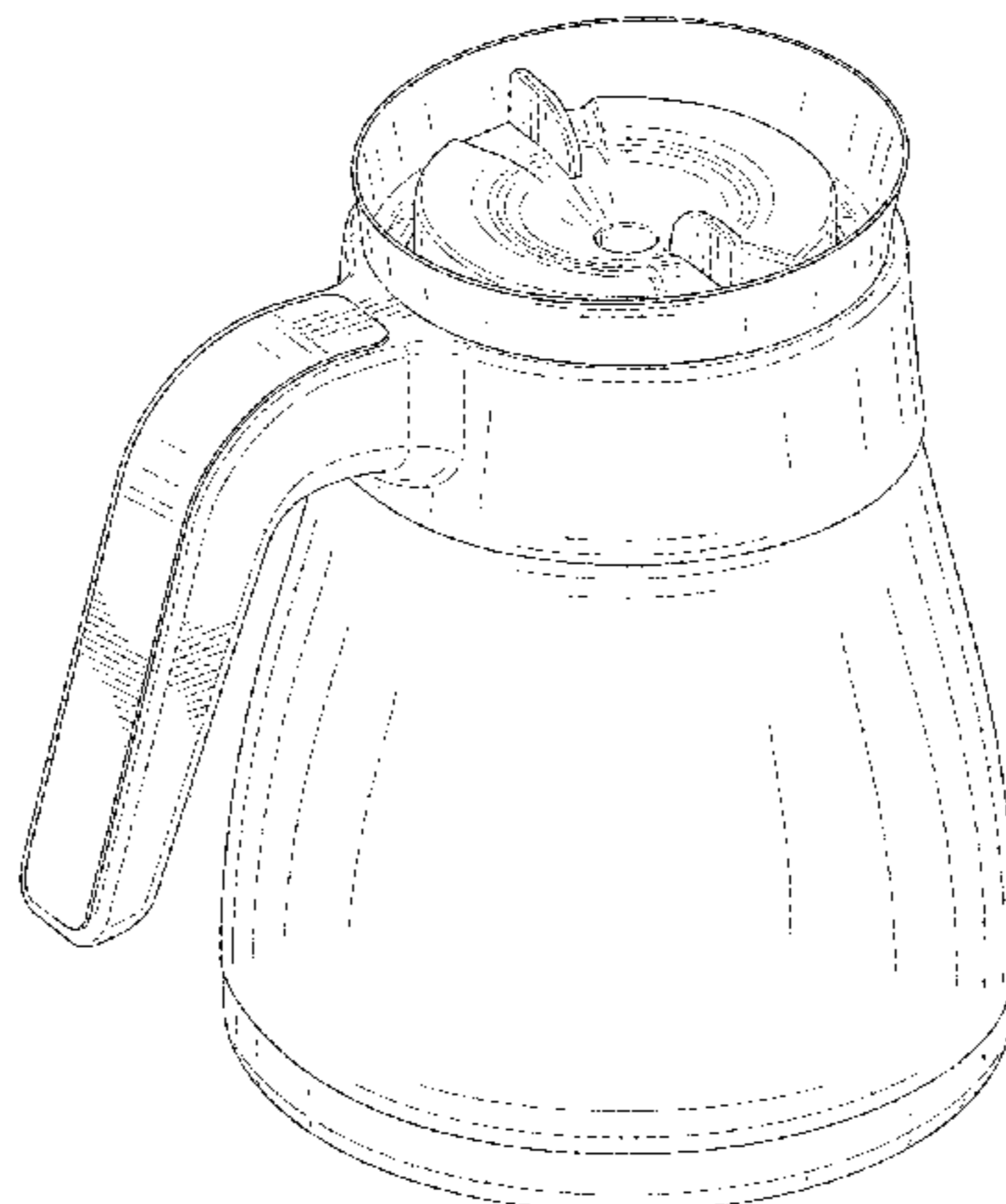
The broken lines in the figures are for environmental purposes only and form no part of the claimed design.

1 Claim, 14 Drawing Sheets

(56) **References Cited**

U.S. PATENT DOCUMENTS

- D213,577 S * 3/1969 Douglas D7/317
- D225,365 S 12/1972 Beckman
- D245,058 S * 7/1977 Hauenstein D7/318
- 4,058,338 A * 11/1977 Brown A47J 45/077
294/31.2
- D490,639 S * 6/2004 Kling D7/317
- D558,507 S 1/2008 Picozza et al.
- D562,052 S 2/2008 De Pra'
- D581,717 S 12/2008 Parker et al.



(56)

References Cited

U.S. PATENT DOCUMENTS

D648,973 S	11/2011	De' Longhi	
D696,890 S	1/2014	Poniedzialek	
D713,668 S	9/2014	Metaxatos et al.	
D727,084 S	4/2015	Dorr et al.	
D730,675 S	6/2015	Williams et al.	
D733,481 S	7/2015	Rousselin	
D742,159 S	11/2015	Doria et al.	
D752,377 S	3/2016	Maitland et al.	
D753,948 S *	4/2016	Kestenbaum	D7/317
D765,454 S	9/2016	Romandy	
D769,662 S	10/2016	Palermo et al.	
D770,831 S	11/2016	Affatato et al.	
D770,832 S	11/2016	Affatato et al.	
D771,992 S	11/2016	Yang	
D778,098 S	2/2017	Horimoto	
D782,242 S	3/2017	Lee	
D787,251 S *	5/2017	Kestenbaum	D7/317
D789,725 S *	6/2017	Kestenbaum	D7/317
D792,731 S	7/2017	Palermo et al.	
D802,978 S *	11/2017	Kestenbaum	D7/318
D814,222 S *	4/2018	Bronwasser	D7/318
D815,904 S *	4/2018	Lane	D7/510
2015/0190011 A1	7/2015	Minard	

OTHER PUBLICATIONS

Application for Registration of an Industrial Design Examiner's Report; Canadian Application No. 171623; dated Jul. 25, 2017; 1 Page.
 Decision to Dismiss the Amendment; Korean Application No. 30-2016-0053885; dated Jul. 6, 2017; 5 Pages.
 Non-Final Office Action; U.S. Appl. No. 29/564,778, filed May 16, 2016; Carafe; dated Mar. 10, 2017; 9 Pages.
 Notice of Allowance; Japanese Design Application No. 2016-024849; dated Mar. 31, 2017; 2 Pages.
 Notice of Allowance; Japanese Design Application No. 2016-024850; dated Mar. 31, 2017; 2 Pages.
 Notice of Allowance; Japanese Design Application No. 2016-024851; dated Mar. 31, 2017; 2 Pages.

Notice of Allowance; Japanese Design Application No. 2016-024852; dated Mar. 31, 2017; 2 Pages.
 Notice of Allowance; Japanese Design Application No. 2016-024853; dated Mar. 31, 2017; 2 Pages.
 Notice of Allowance; Japanese Design Application No. 2016-024854; dated Mar. 31, 2017; 2 Pages.
 Notice of Allowance; Japanese Design Application No. 2016-024855; dated Mar. 31, 2017; 2 Pages.
 Notice of Allowance; U.S. Appl. No. 29/564,778, filed May 16, 2016; Carafe; dated Jul. 13, 2017; 10 Pages.
 Notice of Completion of Formalities for Patent Register and Notice of Grant of Design Patent Right; Chinese Application No. 2016305567649; dated Jan. 19, 2017; 5 Pages.
 Notice of Completion of Formalities for Patent Register and Notice of Grant of Design Patent Right; Chinese Application No. 2016305570459; dated Jan. 19, 2017; 5 Pages.
 Notice of Completion of Formalities for Patent Register and Notice of Grant of Design Patent Right; Chinese Application No. 201630557068X; dated Jan. 19, 2017; 5 Pages.
 Notice of Completion of Formalities for Patent Register and Notice of Grant of Design Patent Right; Chinese Application No. 2016305573207; dated Jan. 17, 2017; 5 Pages.
 Notice of References; Japanese Design Application No. 2016-024849; dated Mar. 31, 2017; 2 Pages.
 Notice of References; Japanese Design Application No. 2016-024850; dated Mar. 31, 2017; 2 Pages.
 Preliminary Rejection; Korean Application No. 30-2016-0053875; dated Jul. 4, 2017; 3 Pages.
 Preliminary Rejection; Korean Application No. 30-2016-0053877; dated Jul. 4, 2017; 4 Pages.
 Preliminary Rejection; Korean Application No. 30-2016-0053878; dated Jul. 4, 2017; 2 Pages.
 Preliminary Rejection; Korean Application No. 30-2016-0053879; dated Jul. 4, 2017; 5 Pages.
 Preliminary Rejection; Korean Application No. 30-2016-0053882; dated Jul. 4, 2017; 5 Pages.
 Preliminary Rejection; Korean Application No. 30-2016-0053885; dated Jul. 4, 2017; 5 Pages.

* cited by examiner



FIG. 1

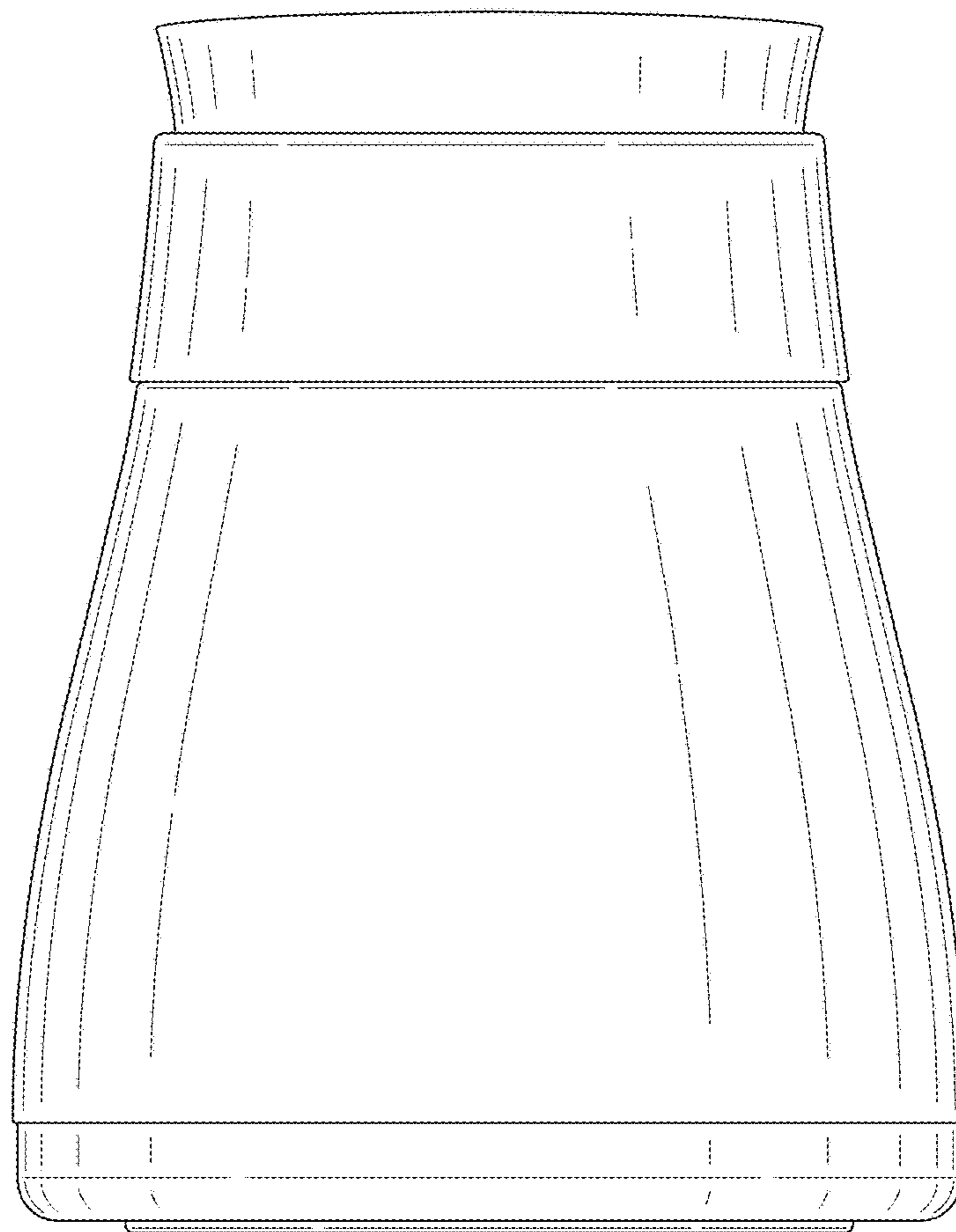


FIG. 2

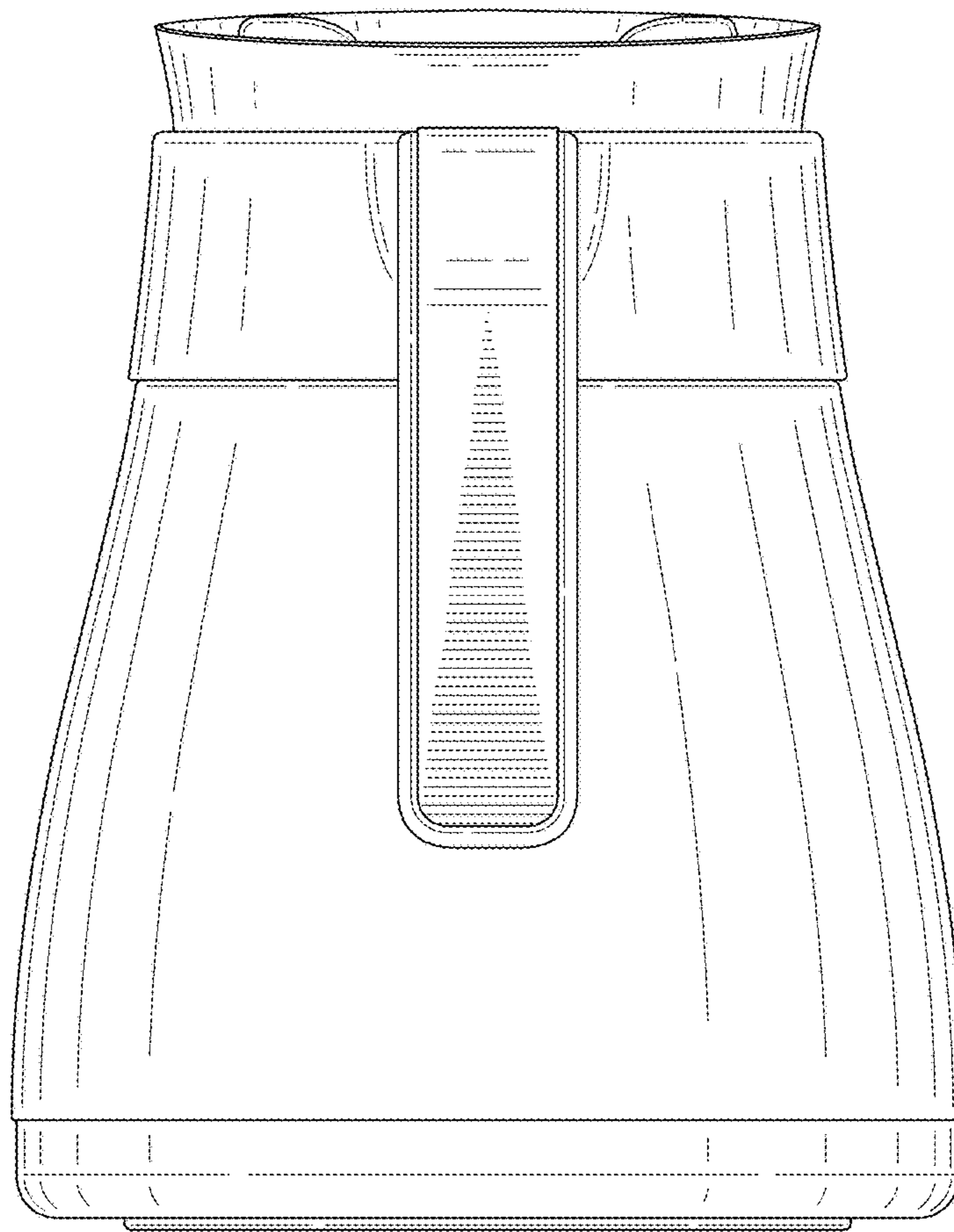


FIG. 3

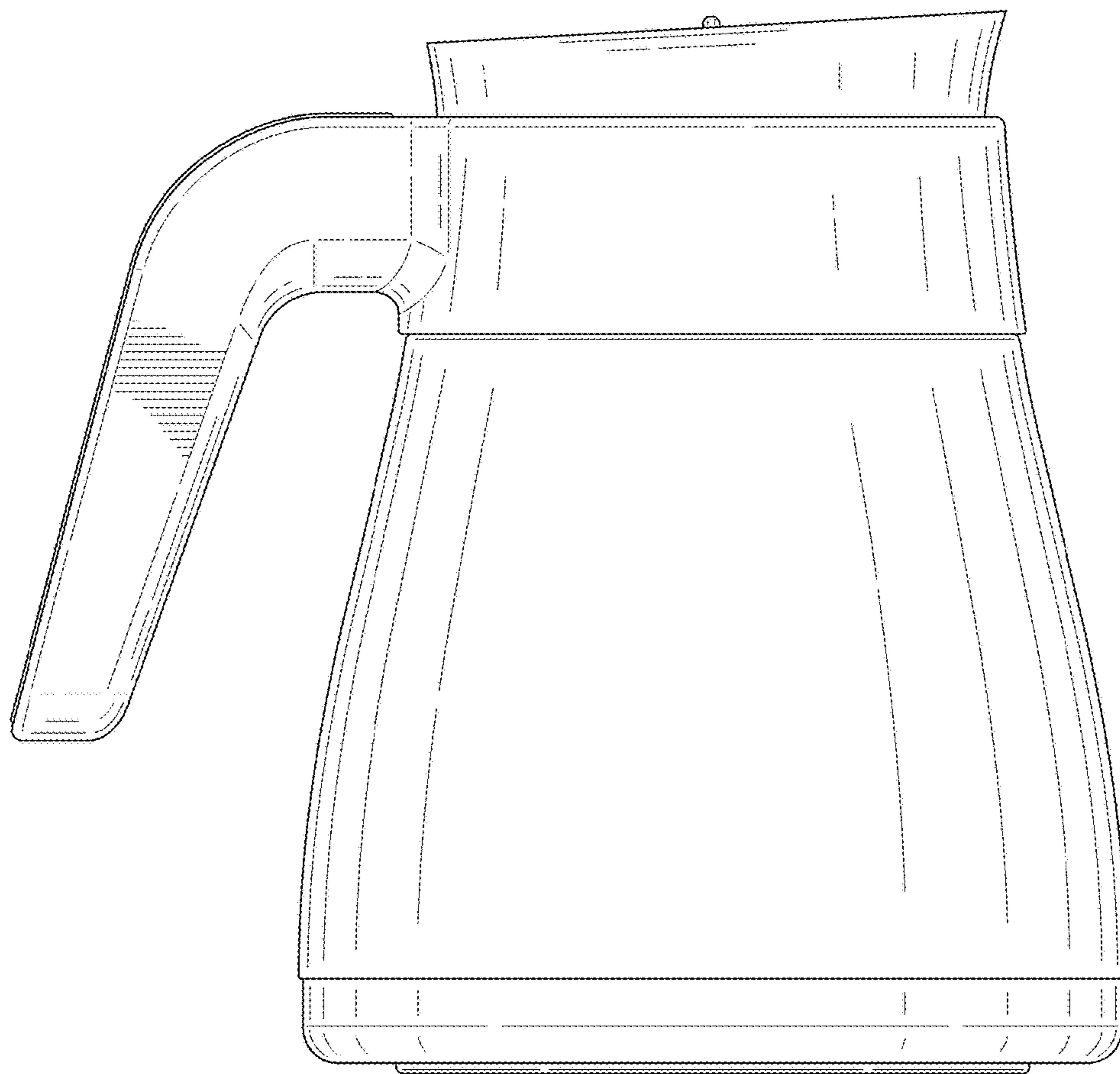


FIG. 4

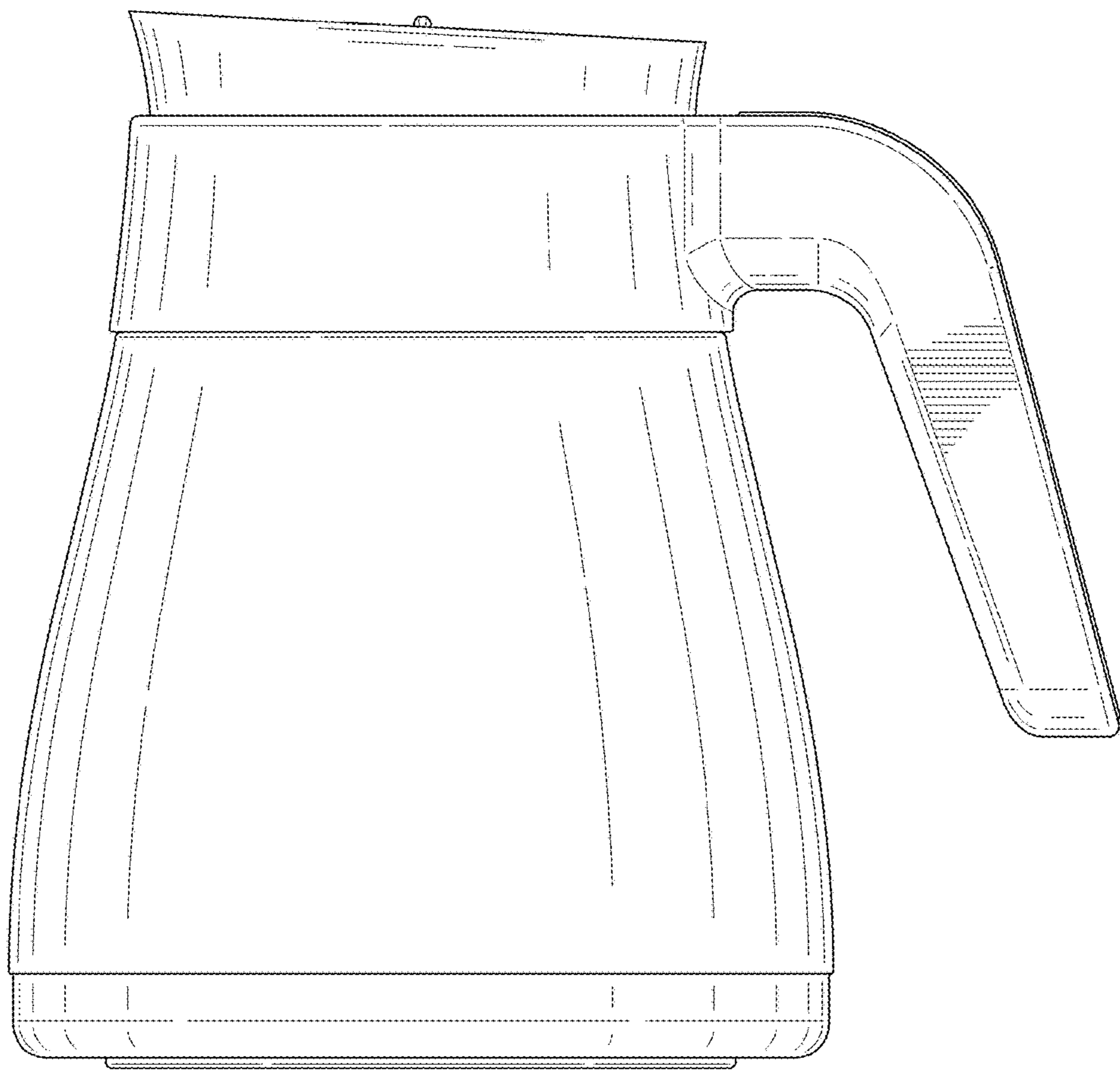


FIG. 5

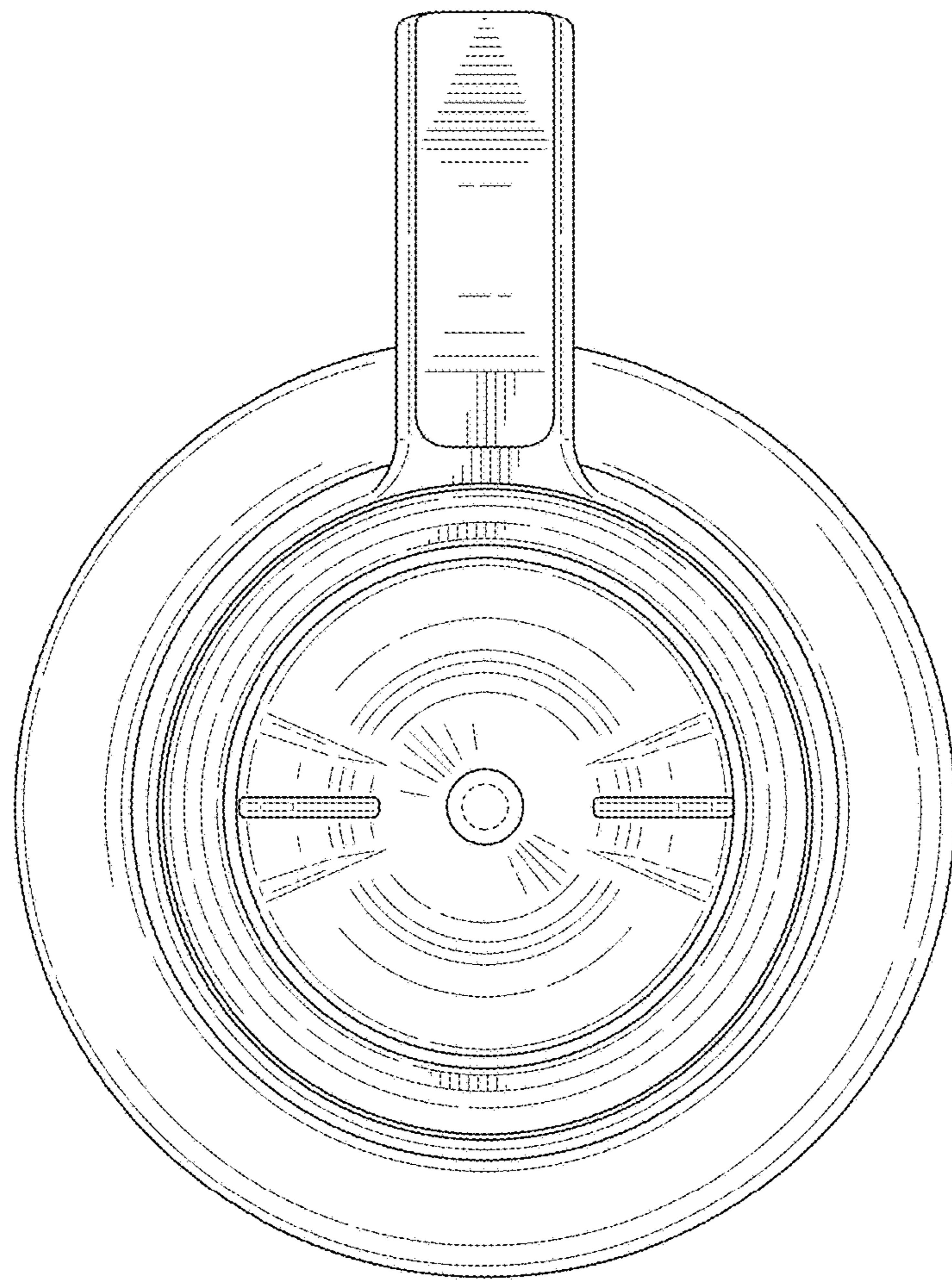


FIG. 6

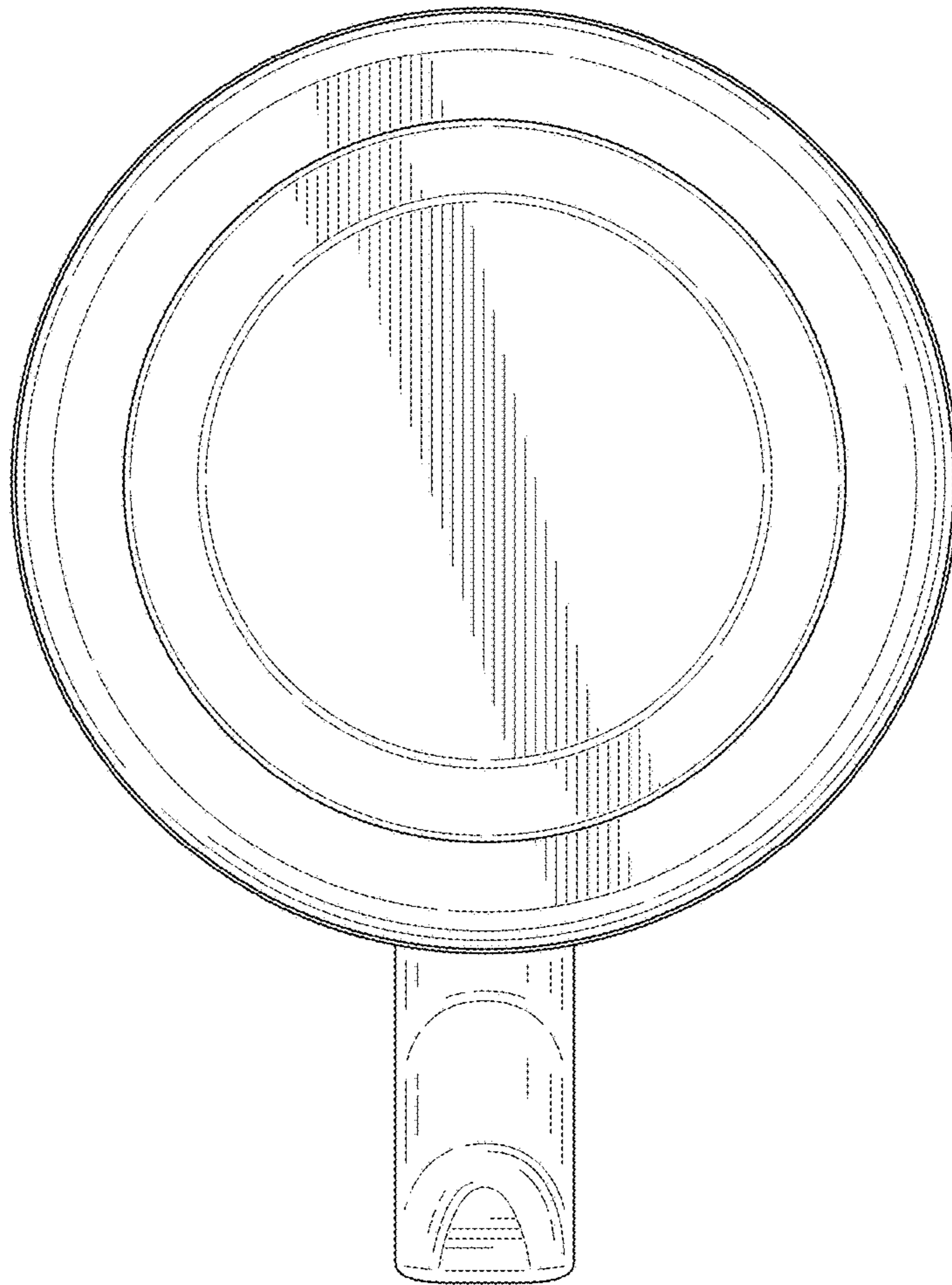


FIG. 7



FIG. 8

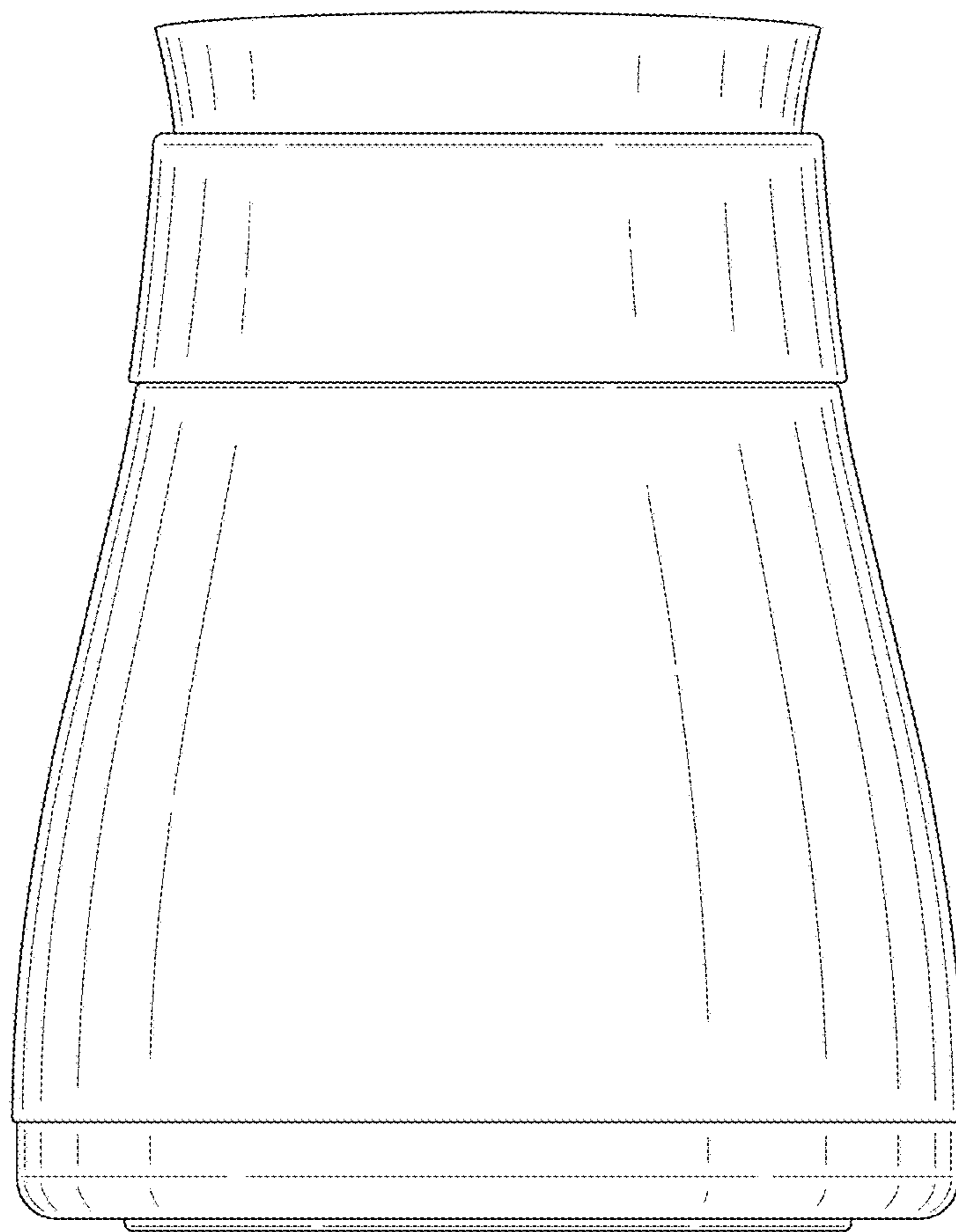


FIG. 9

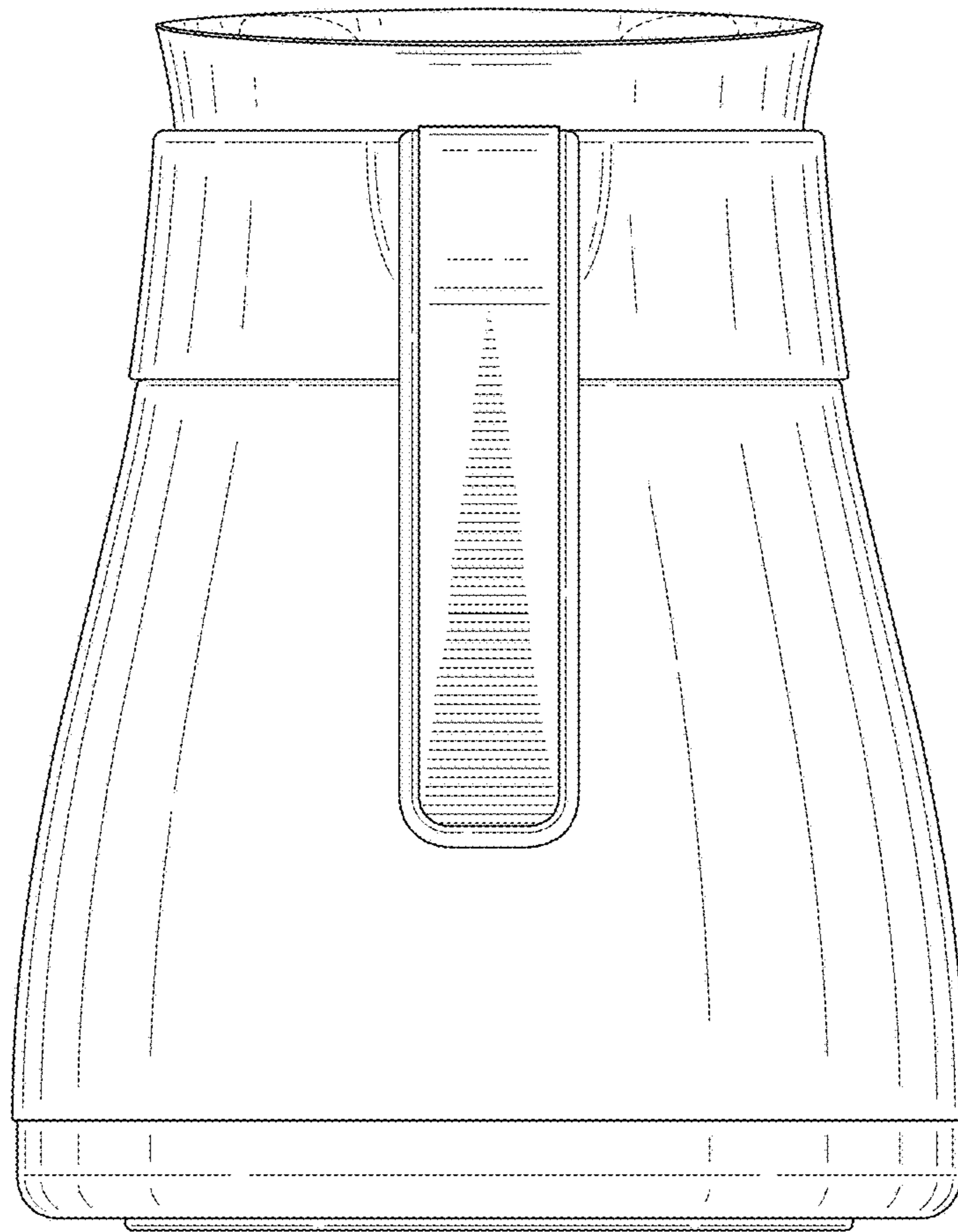


FIG. 10

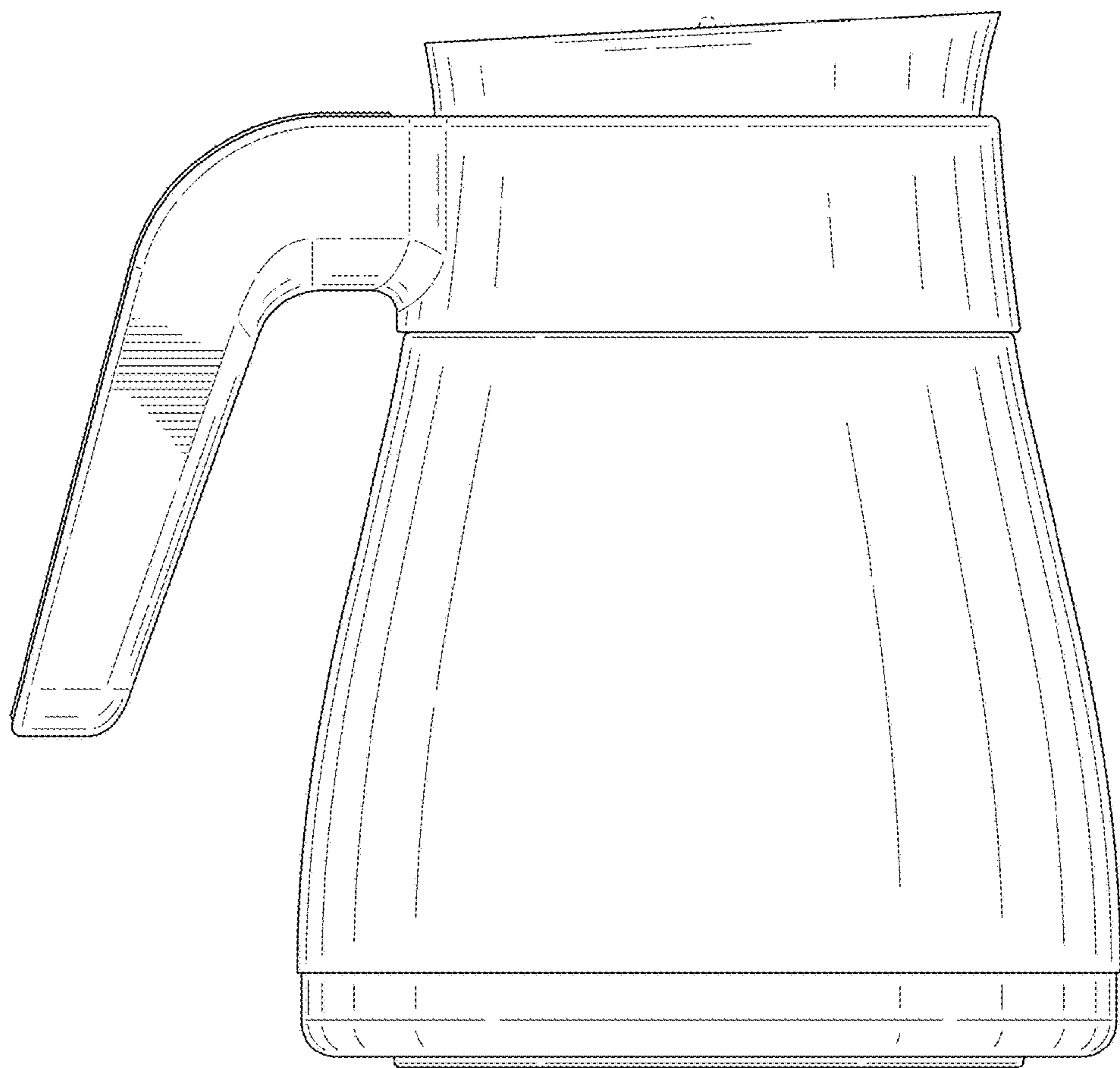


FIG. 11

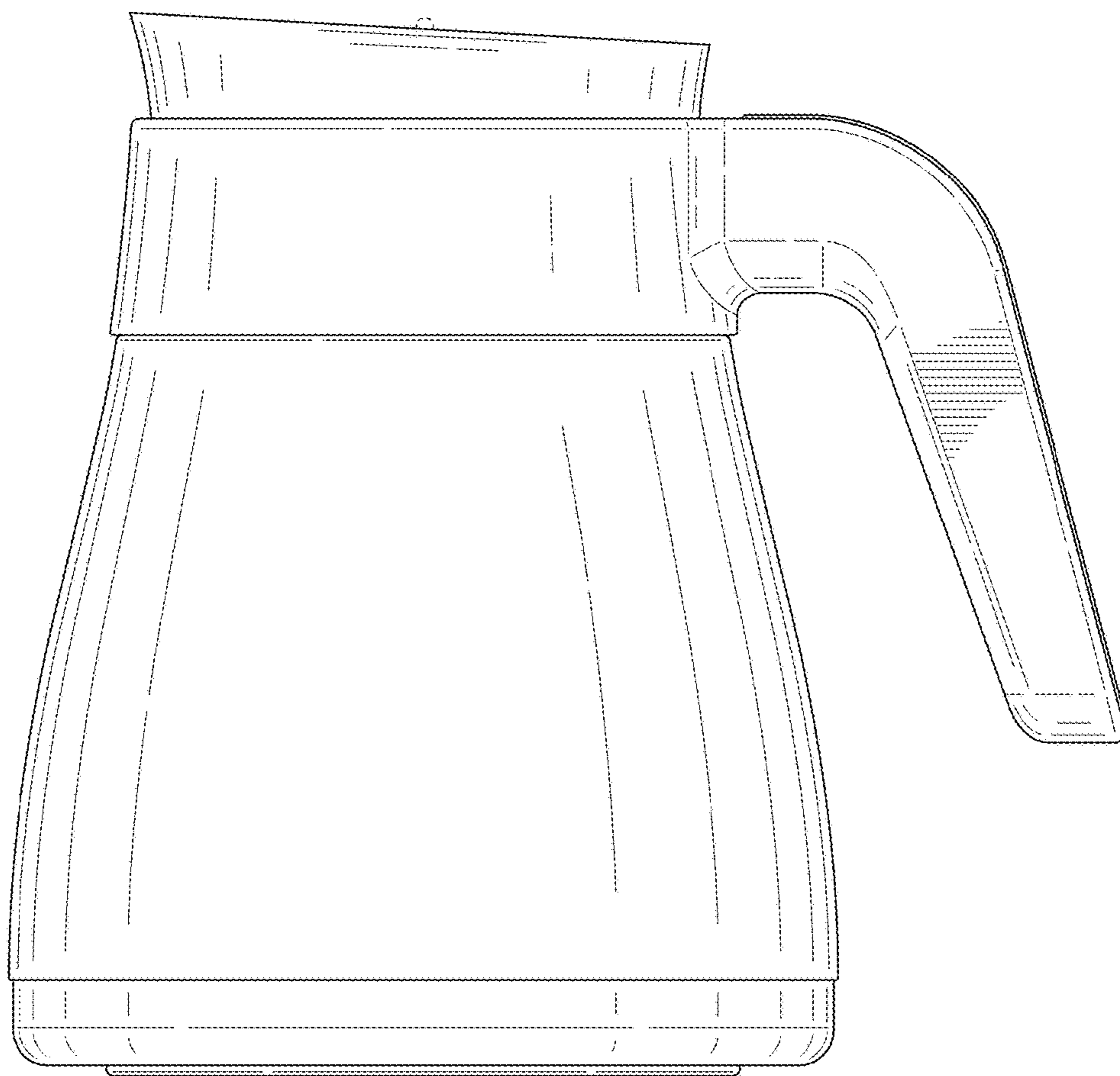


FIG. 12

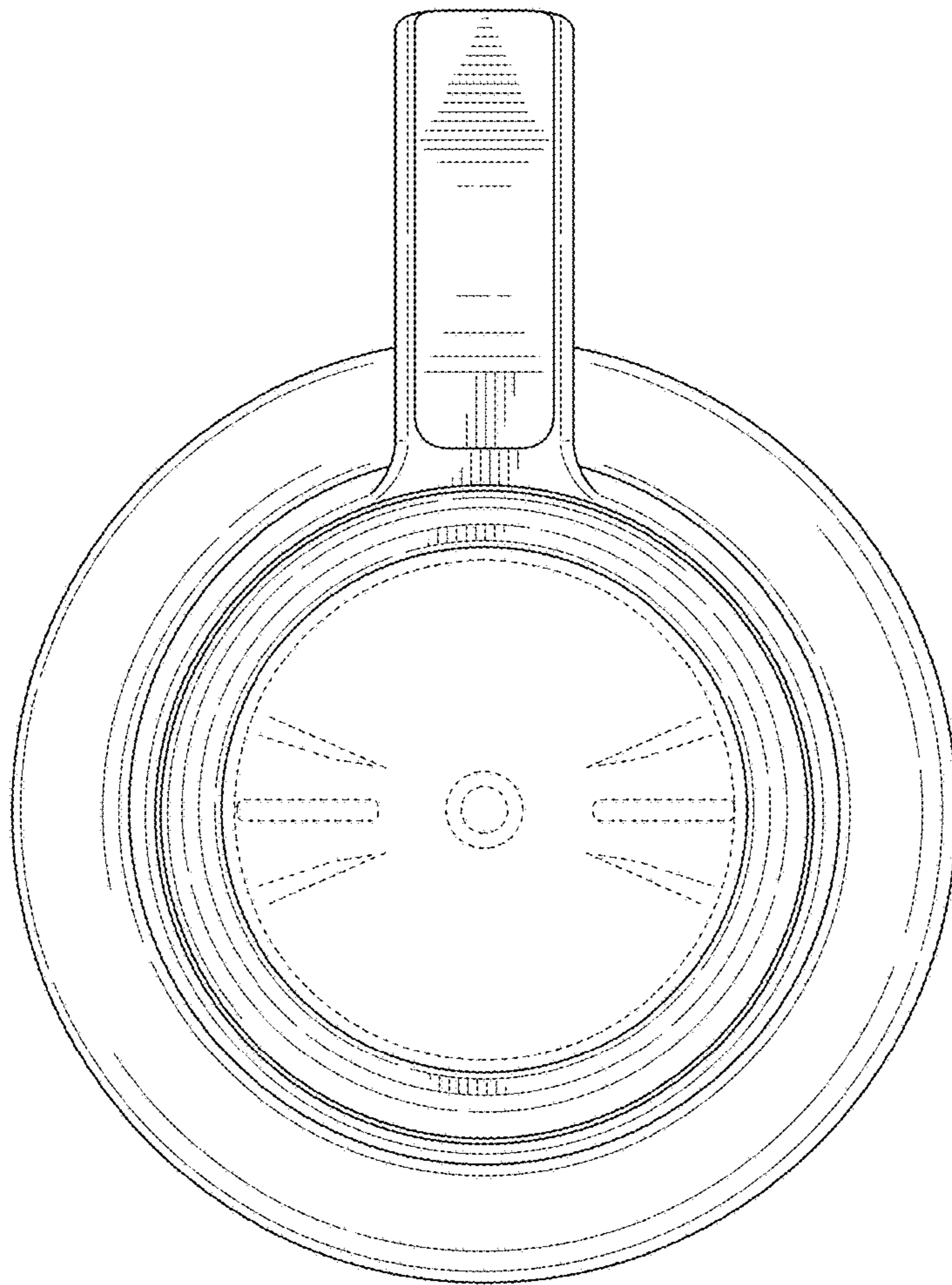


FIG. 13

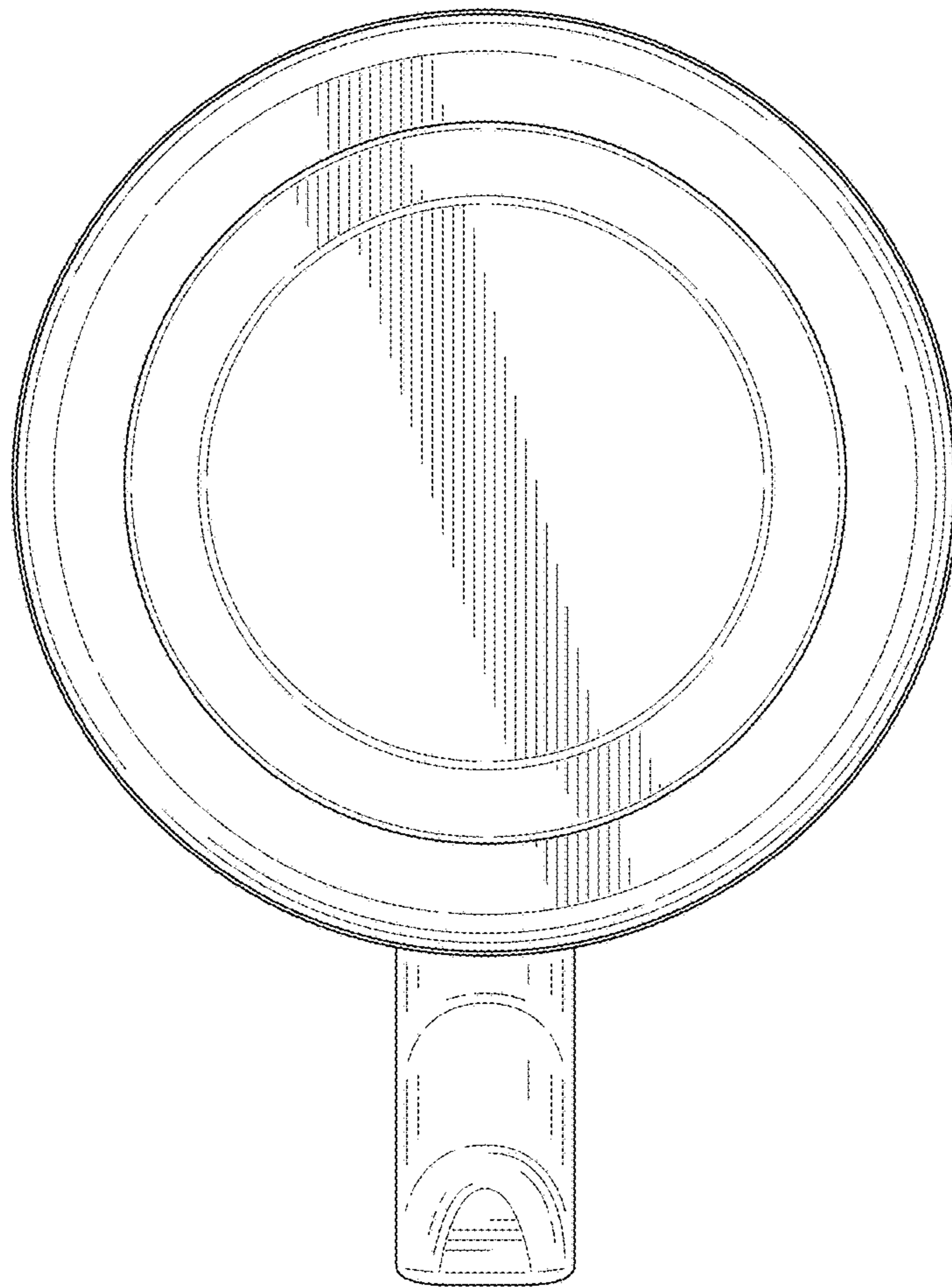


FIG. 14