



US00D843153S

(12) **United States Design Patent**  
**Florin**

(10) **Patent No.:** **US D843,153 S**  
(45) **Date of Patent:** **\*\* Mar. 19, 2019**

(54) **BEVERAGE DISPENSER**  
(71) Applicant: **Societe des Produits Nestlé S.A.,**  
Vevey (CH)  
(72) Inventor: **Laetitia Florin, La Chaux-de-Fonds**  
(CH)  
(73) Assignee: **Société des Produits Nestlé S.A.,**  
Vevey (CH)

D492,878 S \* 7/2004 Nakato ..... D7/306  
D496,214 S \* 9/2004 Ledingham ..... D7/309  
D513,681 S \* 1/2006 Picozza ..... D7/306  
7,257,319 B1 \* 8/2007 Clarke ..... B08B 3/02  
134/102.1  
D577,252 S \* 9/2008 Kotoku ..... D7/309  
D612,657 S \* 3/2010 Luippold ..... D7/306  
D621,647 S \* 8/2010 Jacquet ..... D7/306  
D699,065 S \* 2/2014 Bucher ..... D7/306  
D707,791 S \* 6/2014 Beghelli ..... D23/207  
D714,088 S \* 9/2014 Cahen ..... D7/309  
D744,774 S \* 12/2015 Bock ..... A47J 31/462  
D7/306

(\*\*) Term: **15 Years**

\* cited by examiner

(21) Appl. No.: **29/602,107**

*Primary Examiner* — Marianne N Pandozzi

(22) Filed: **Apr. 28, 2017**

(74) *Attorney, Agent, or Firm* — Finnegan, Henderson,  
Farabow, Garrett & Dunner LLP

(30) **Foreign Application Priority Data**

(57) **CLAIM**

Nov. 1, 2016 (CH) ..... 142710

The ornamental design for a beverage dispenser, as shown  
and described.

(51) **LOC (11) Cl.** ..... **07-01**

**DESCRIPTION**

(52) **U.S. Cl.**

USPC ..... **D7/306; D7/311**

(58) **Field of Classification Search**

USPC ..... D7/306-311; 99/293

CPC .. A47J 31/46; A47J 31/30; A47J 31/44; A47J  
31/4482; A47J 31/00

See application file for complete search history.

FIG. 1 is a front, top perspective view of a beverage  
dispenser showing my new design;  
FIG. 2 is a front elevation view thereof;  
FIG. 3 is a rear elevation view thereof;  
FIG. 4 is a left side view thereof;  
FIG. 5 is a right side view thereof;  
FIG. 6 is a top plan view thereof; and,  
FIG. 7 is a bottom view thereof.

The evenly dashed broken lines in the drawings illustrate the  
portions of the beverage dispenser that form no part of the  
claimed design.

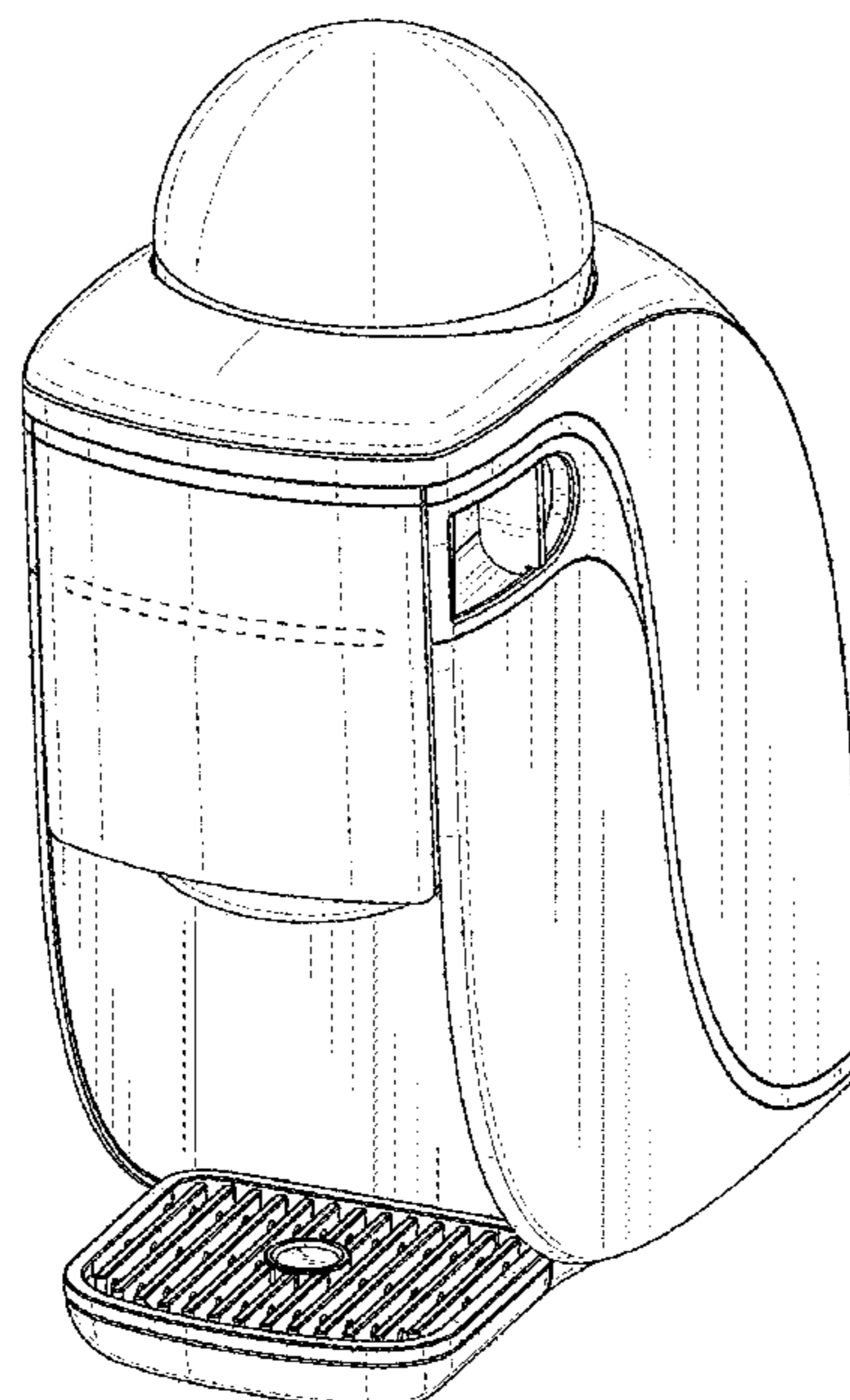
(56) **References Cited**

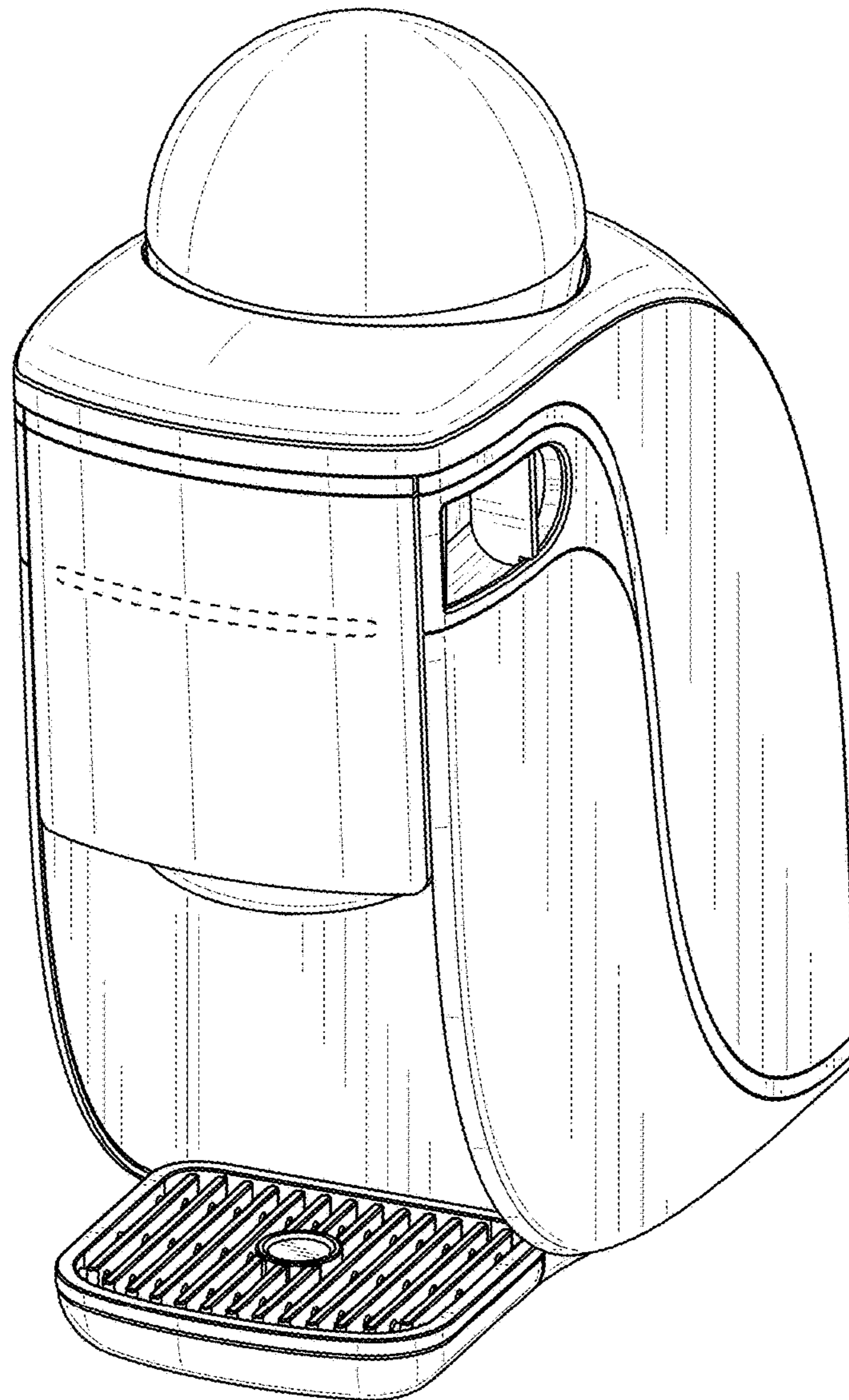
**U.S. PATENT DOCUMENTS**

D299,304 S \* 1/1989 Knochner ..... D7/309

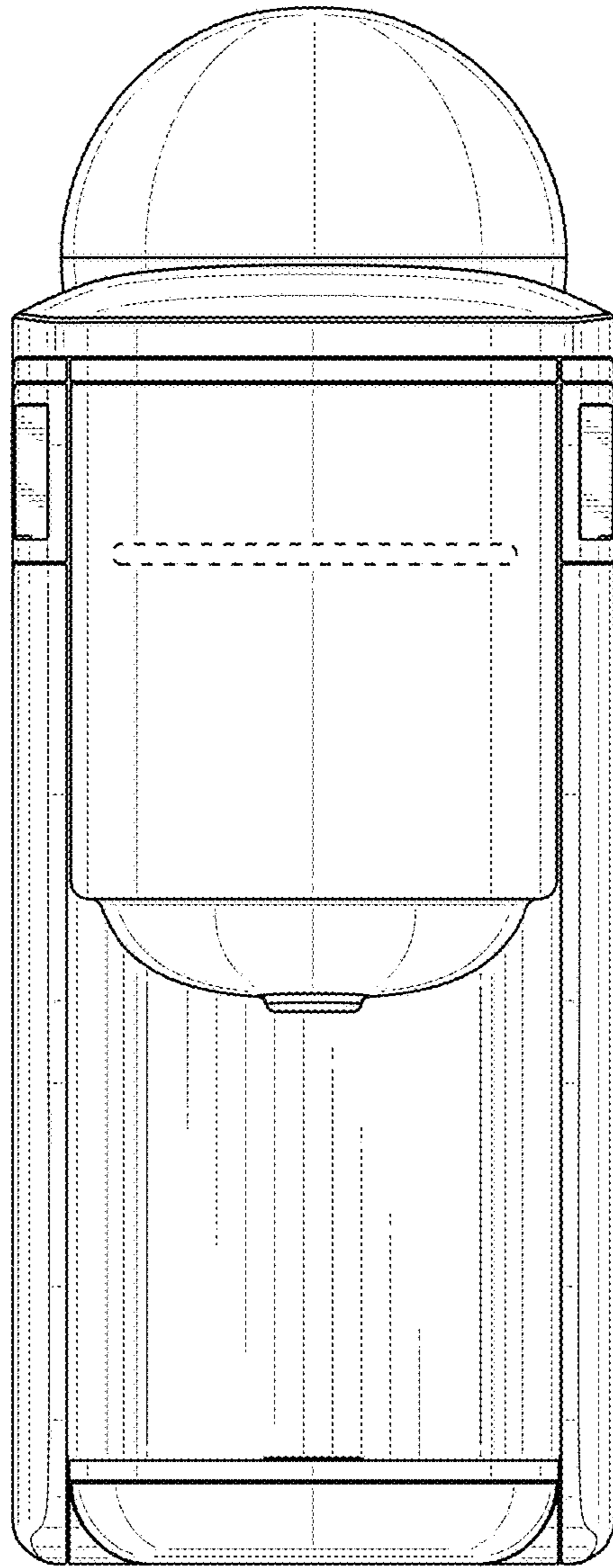
D342,182 S \* 12/1993 Garcia de Salazar Camara .....  
D7/309

**1 Claim, 7 Drawing Sheets**

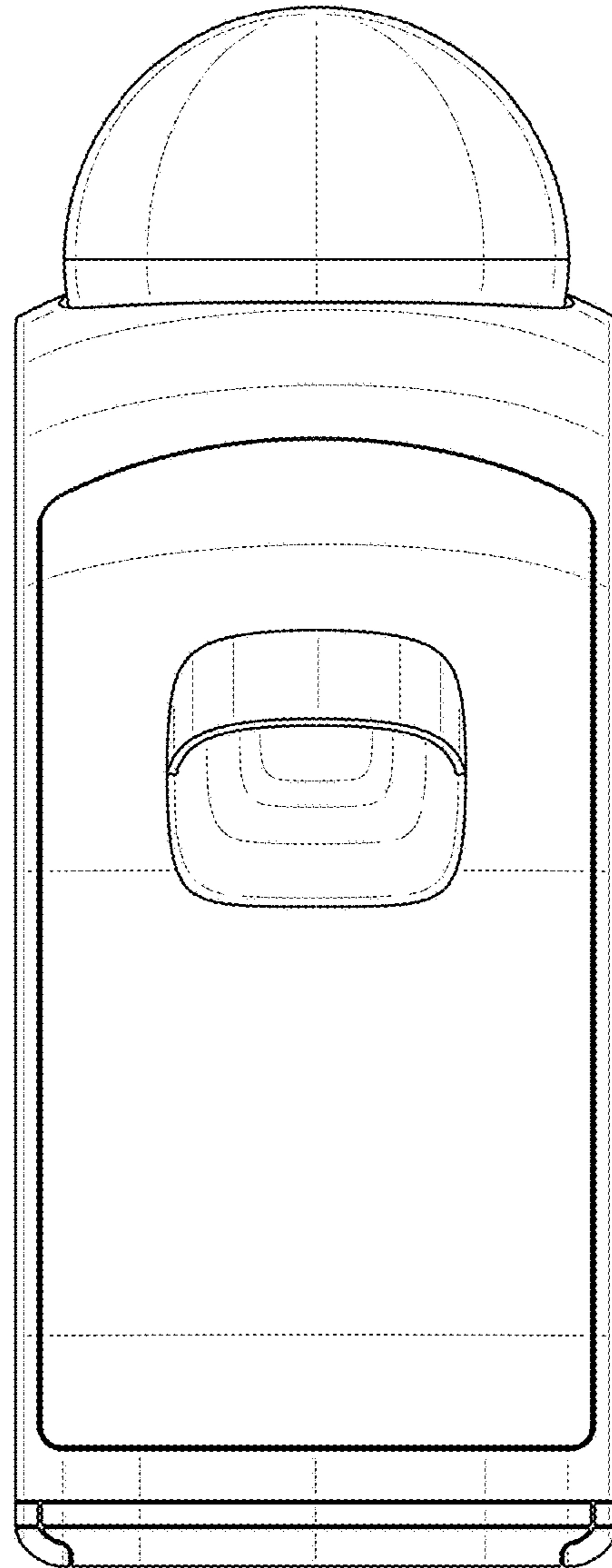




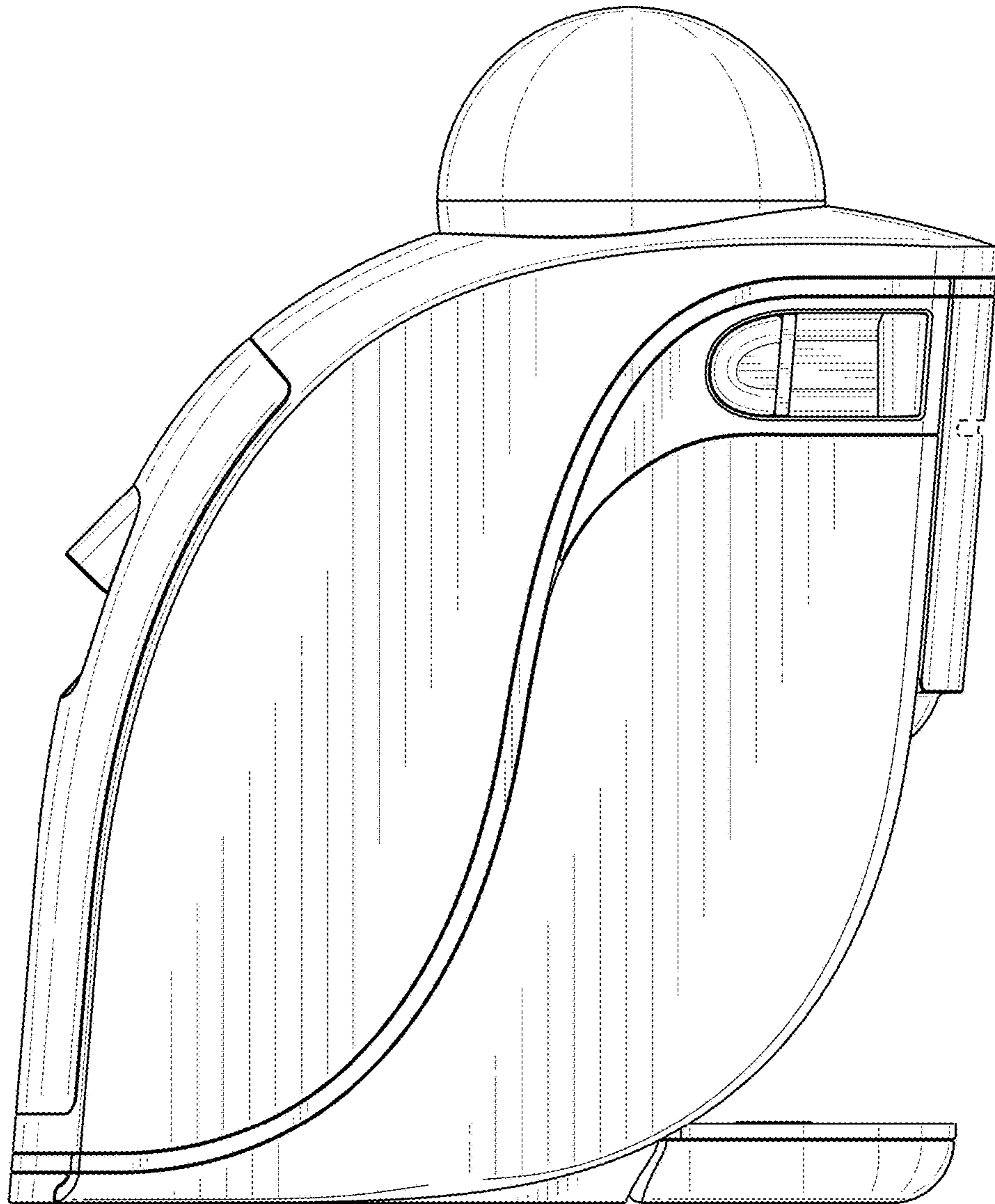
**FIG. 1**



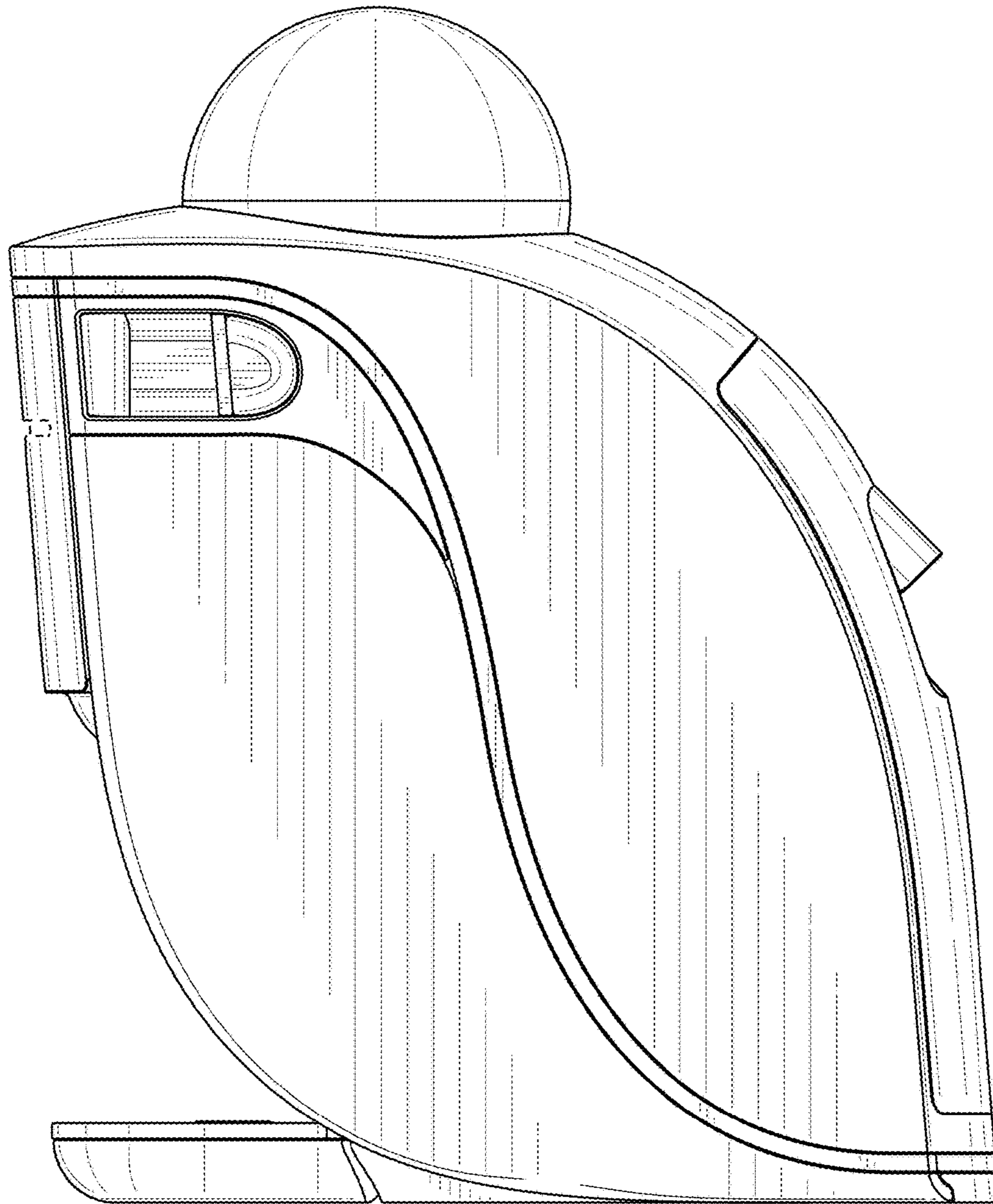
**FIG. 2**



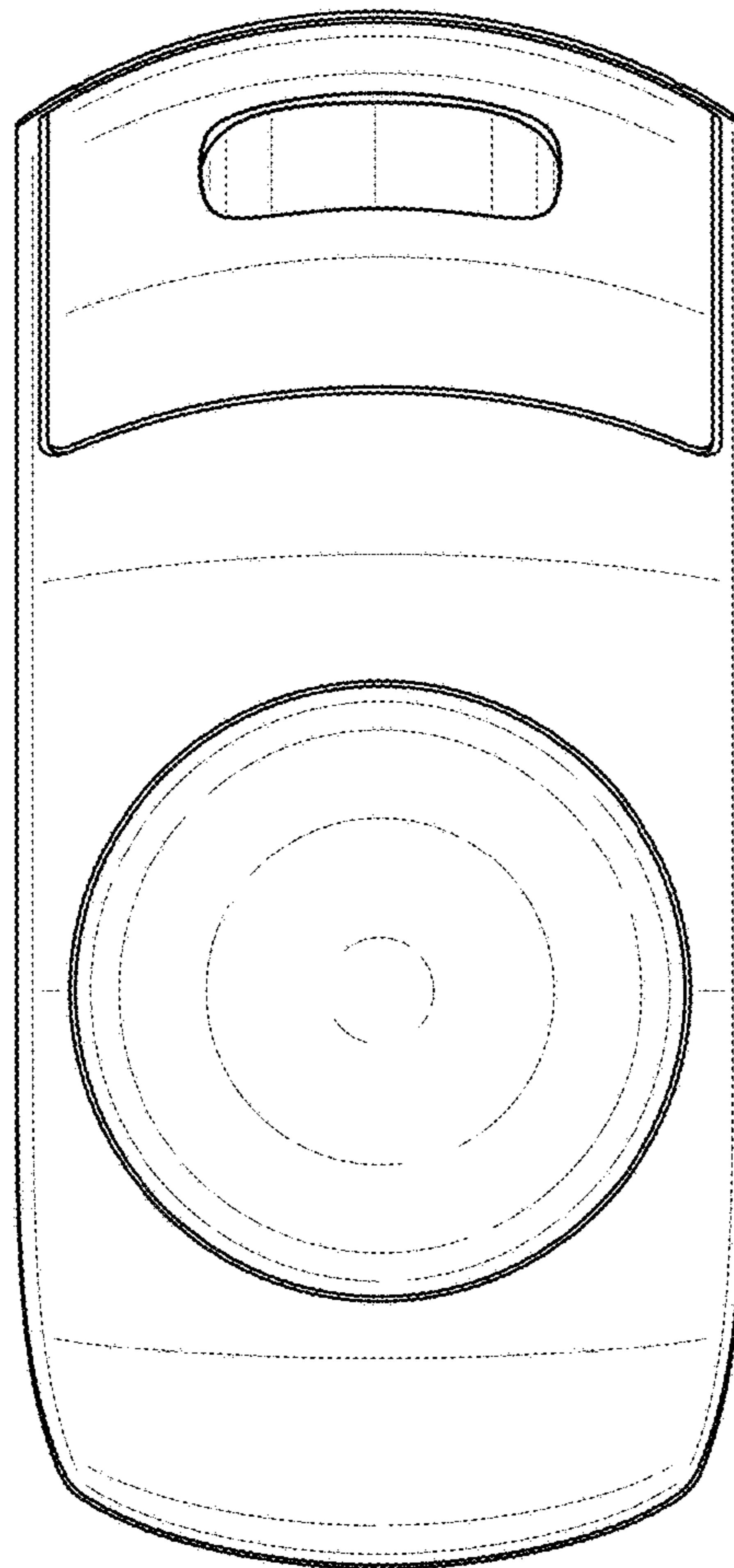
**FIG. 3**



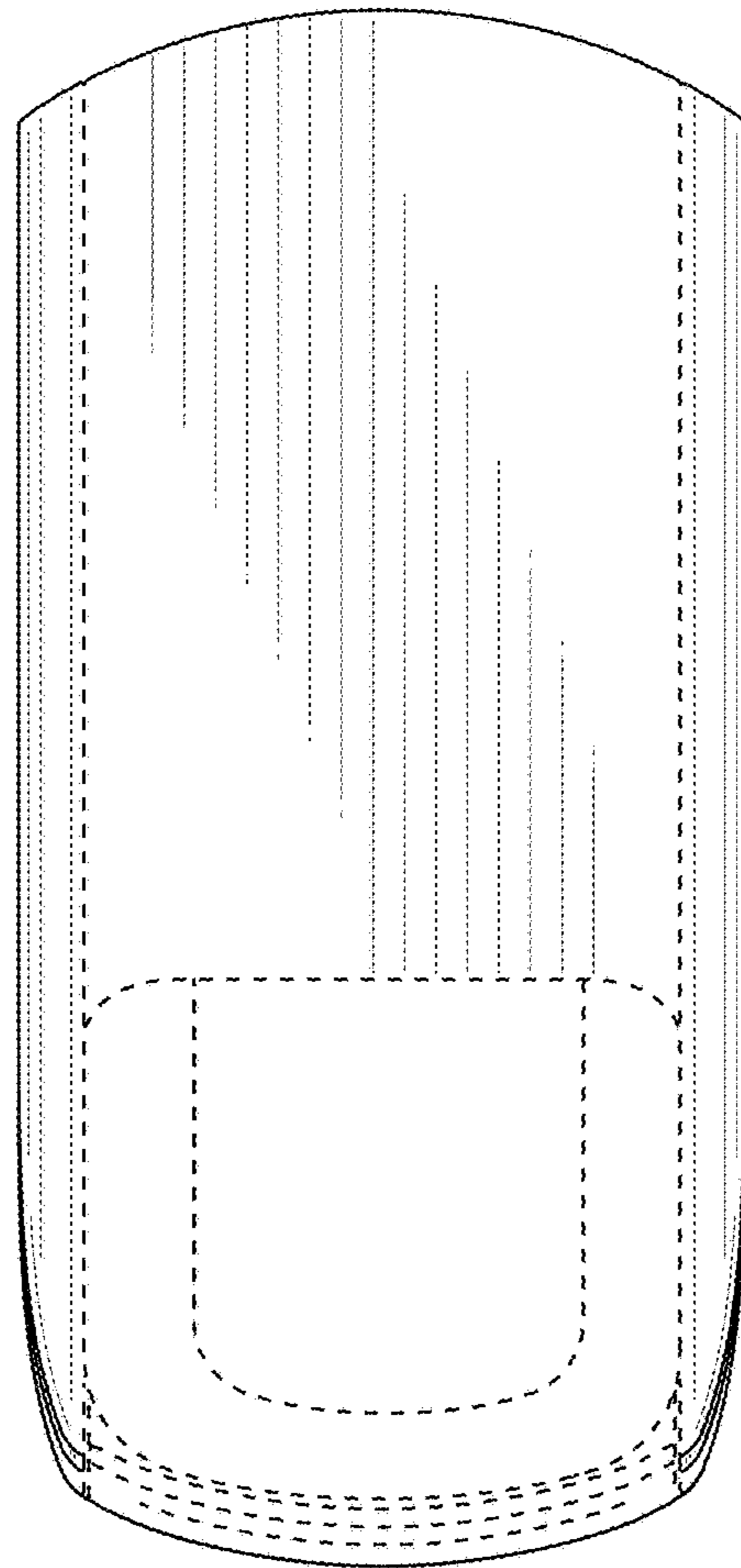
**FIG. 4**



**FIG. 5**



**FIG. 6**



**FIG. 7**