



US00D843150S

(12) **United States Design Patent** (10) **Patent No.:** **US D843,150 S**
Doolan et al. (45) **Date of Patent:** **** Mar. 19, 2019**

(54) **PORTABLE CHAIR**
(71) Applicant: **YETI Coolers, LLC**, Austin, TX (US)
(72) Inventors: **William S. Doolan**, Dripping Springs, TX (US); **Steve Charles Nichols**, Austin, TX (US); **Roy Joseph Seiders**, Rollingwood, TX (US)
(73) Assignee: **YETI Coolers, LLC**, Austin, TX (US)

4,842,335 A 6/1989 Wunderlich
4,914,873 A 4/1990 Newhouse
5,058,347 A 10/1991 Schuelke et al.
(Continued)

FOREIGN PATENT DOCUMENTS

CN 3463190 7/2005
CN 301324411 8/2010
(Continued)

(**) Term: **15 Years**

OTHER PUBLICATIONS

(21) Appl. No.: **29/632,924**
(22) Filed: **Jan. 10, 2018**
(51) **LOC (11) Cl.** **06-01**
(52) **U.S. Cl.**
USPC **D6/709.2**; D6/368
(58) **Field of Classification Search**
USPC D6/334-336, 367, 368, 371, 373, 375,
D6/376, 379, 380, 716, 716.1, 716.2,
D6/716.3, 716.4, 709.2
CPC A47C 4/22; A47C 4/28; A47C 4/30; A47C
4/38; A47C 4/40; A47C 4/42; A47C 4/44;
A47C 4/70; A47C 5/04; A47C 5/10
See application file for complete search history.

Website: Overstock, "Caravan Canopy Blue Suspension Folding Chair," visited Jan. 31, 2018, <<https://www.overstock.com/Sports-Toys/Caravan-Canopy-Blue-Suspension-Folding-Chair/8789499/product.html>>.

(Continued)

Primary Examiner — Mimoso De
(74) *Attorney, Agent, or Firm* — Banner & Witcoff, Ltd.

(57) **CLAIM**

The ornamental design for a portable chair, as shown and described.

DESCRIPTION

(56) **References Cited**

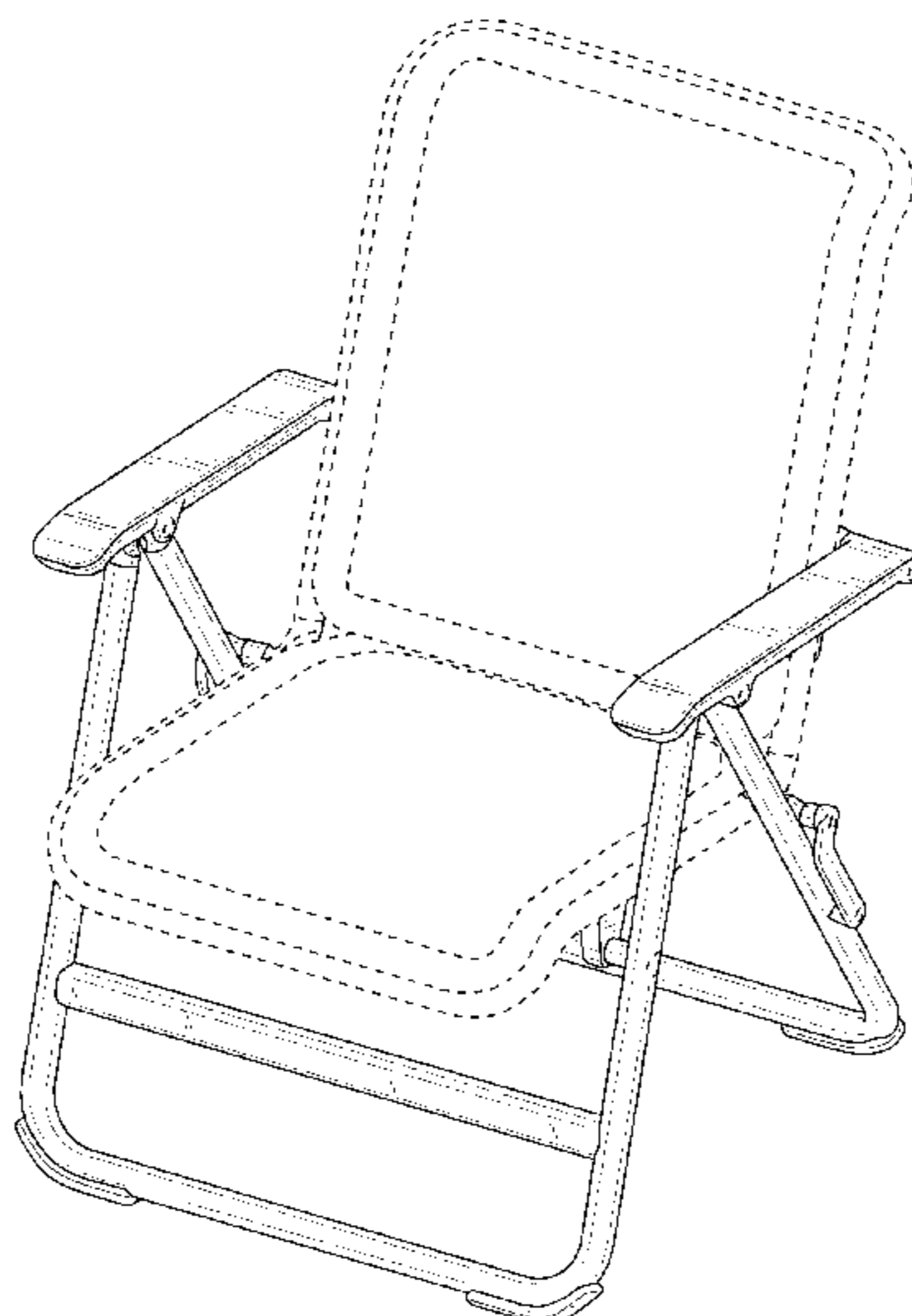
U.S. PATENT DOCUMENTS

2,638,970 A * 5/1953 Harber A47C 4/48
297/27
D220,908 S * 6/1971 Smith D6/368
3,695,702 A 10/1972 Ingellis
3,719,389 A 3/1973 Burton et al.
4,119,286 A 10/1978 Barril
4,234,226 A 11/1980 Colby
4,382,648 A 5/1983 Propst et al.
4,469,377 A 9/1984 O'Rourke
4,513,347 A 4/1985 Wilcox et al.
4,652,050 A 3/1987 Stevens
4,685,255 A 8/1987 Kelley
4,832,152 A 5/1989 Schuelke et al.

FIG. 1 is a top, front, right perspective view of a portable chair showing our new design;
FIG. 2 is a front view thereof;
FIG. 3 is a rear view thereof;
FIG. 4 is a left side view thereof;
FIG. 5 is a right side view thereof;
FIG. 6 is a top view thereof; and,
FIG. 7 is a bottom view thereof.

The broken lines immediately adjacent to the shaded area represent unclaimed boundaries of the design. The broken lines showing the remainder of the portable chair represent unclaimed subject matter and form no part of the claimed design.

1 Claim, 7 Drawing Sheets



(56)

References Cited

U.S. PATENT DOCUMENTS

5,129,202 A 7/1992 Payne
 5,142,734 A 9/1992 Looman et al.
 5,174,086 A 12/1992 Payne
 D333,387 S 2/1993 Guay
 5,211,687 A 5/1993 Loser
 5,423,151 A 6/1995 Caro
 5,564,779 A * 10/1996 Tolbert A47C 7/70
 297/144
 D378,476 S * 3/1997 Spaeth D6/368
 5,666,888 A 9/1997 Dame et al.
 5,678,890 A 10/1997 Tenbroeck
 5,711,575 A 1/1998 Hand et al.
 5,762,403 A 6/1998 Robinson
 5,911,478 A 6/1999 Goodman
 D417,561 S * 12/1999 Liu D6/368
 6,000,752 A 12/1999 Shyr
 6,035,901 A 3/2000 Stumpf et al.
 6,059,368 A 5/2000 Stumpf et al.
 6,125,521 A 10/2000 Stumpf et al.
 6,167,665 B1 1/2001 Dame et al.
 6,226,849 B1 5/2001 Beck et al.
 6,293,624 B1 9/2001 Gaylord et al.
 6,295,764 B1 10/2001 Berridge et al.
 6,386,634 B1 5/2002 Stumpf et al.
 6,439,659 B1 8/2002 Neubauer, Jr.
 6,439,665 B1 8/2002 Cvek
 6,502,902 B1 1/2003 Romero
 6,540,950 B1 4/2003 Coffield
 6,550,855 B2 4/2003 Liu
 6,581,260 B2 6/2003 Kinney
 6,588,836 B1 7/2003 Lo
 6,588,842 B2 7/2003 Stumpf et al.
 6,702,390 B2 3/2004 Stumpf et al.
 6,718,717 B2 4/2004 Henderson et al.
 6,722,741 B2 4/2004 Stumpf et al.
 6,726,285 B2 4/2004 Caruso et al.
 6,726,286 B2 4/2004 Stumpf et al.
 D490,251 S * 5/2004 Lin D6/335
 6,733,080 B2 5/2004 Stumpf et al.
 6,764,132 B1 7/2004 Gaertner
 D494,769 S * 8/2004 Vigneaud D6/368
 6,890,030 B2 5/2005 Wilkerson et al.
 D507,424 S 7/2005 Rogasis
 6,942,300 B2 9/2005 Numa et al.
 6,955,402 B2 10/2005 VanDeRiet et al.
 6,966,604 B2 11/2005 Stumpf et al.
 D517,822 S 3/2006 Grosfillex
 D519,292 S 4/2006 Ashby
 7,052,081 B2 5/2006 Leng
 7,059,682 B2 6/2006 Caruso et al.
 7,066,550 B1 6/2006 Su
 7,249,802 B2 7/2007 Schmitz et al.
 D555,371 S 11/2007 Le Gal
 D559,000 S 1/2008 Vanderminden, Sr.
 D571,115 S * 6/2008 Cohen D6/368
 D580,689 S 11/2008 Su
 7,455,365 B2 11/2008 Caruso et al.
 D581,708 S 12/2008 Su
 7,472,962 B2 1/2009 Caruso et al.
 7,537,453 B2 5/2009 Morgan et al.
 D599,127 S 9/2009 Smith
 7,594,700 B2 9/2009 Stumpf et al.
 7,654,616 B2 2/2010 Kinoshita et al.
 7,654,617 B2 2/2010 Farnsworth
 7,765,663 B2 8/2010 Liu
 7,794,022 B2 9/2010 Caruso et al.
 7,841,666 B2 11/2010 Schmitz et al.
 D633,311 S 3/2011 Peguero

D639,577 S * 6/2011 Tseng D6/368
 8,029,066 B2 10/2011 Su
 8,033,598 B2 10/2011 Smith et al.
 D648,554 S 11/2011 Smith
 D648,962 S * 11/2011 Brodbeck D6/709.2
 D651,010 S * 12/2011 Cohen D6/368
 8,109,576 B2 2/2012 Lin
 D660,612 S 5/2012 Smith
 8,172,332 B2 5/2012 Masunaga et al.
 8,240,771 B2 8/2012 Diffrient
 8,282,172 B2 10/2012 Schmitz et al.
 D672,161 S * 12/2012 McDowell D6/368
 8,449,037 B2 5/2013 Behar et al.
 8,616,655 B2 12/2013 Jung
 8,657,521 B2 2/2014 Reeves
 8,801,102 B2 8/2014 Broome et al.
 9,003,635 B2 4/2015 Parker et al.
 9,033,410 B2 5/2015 Roani et al.
 9,033,421 B2 5/2015 Wilkinson et al.
 9,161,629 B2 10/2015 Huang
 9,211,014 B2 12/2015 Schmitz et al.
 9,414,673 B2 8/2016 Behar et al.
 9,462,891 B2 10/2016 Kikuchi et al.
 D771,400 S 11/2016 Dovale
 9,668,580 B2 6/2017 Schmitz et al.
 9,877,587 B2 * 1/2018 Grace A47C 4/22
 D811,143 S * 2/2018 Chavarria D6/709.2
 2003/0071509 A1 4/2003 Neil et al.
 2006/0163934 A1 7/2006 Chen
 2006/0170255 A1 * 8/2006 Huang A47C 4/44
 297/39
 2007/0170756 A1 7/2007 Kang
 2008/0006965 A1 1/2008 Hsien
 2009/0100587 A1 4/2009 Smith
 2009/0261644 A1 10/2009 Piretti
 2012/0149263 A1 6/2012 Cvek
 2013/0069414 A1 3/2013 Ko
 2015/0308171 A1 10/2015 Shadley

FOREIGN PATENT DOCUMENTS

CN 301377966 11/2010
 CN 303501418 12/2015
 EP 002735472-0004 7/2015

OTHER PUBLICATIONS

Website: Verified Designs, "Mesh Patio Chairs with Folding Chairs Ideas And Metal Chairs Materials," visited Jan. 31, 2018, <<http://verifieddesigns.com/spectacular-mesh-patio-chair-design-which-is-more-embellishing-your-home-space/mesh-patio-chairs-with-folding-chairs-ideas-and-metal-chairs-materials/>>.
 Website: Jet, "Westfield Outdoor S13-S998T FS Tan FLD Sling Chair," visited Jan. 31, 2018, <<https://jet.com/product/Westfield-Outdoor-S13-S998T-FS-Tan-FLD-Sling-Chair/0fbc30d483a248478b79e3bce8d22928>>.
 Website: Sun Prairie Blues Fest, "Reclining Patio Chair with Pull Out Ottoman," visited Jan. 31, 2018, <http://family.spbluesfest.com/foldable-reclining-patio-chair-lounge/reclining-patio-chair-with-pull-out-ottoman/>.
 U.S. Appl. No. 29/632,920, filed Jan. 10, 2018, by William S. Doolan, Steve Charles Nichols, and Roy Joseph Seiders.
 U.S. Appl. No. 29/632,922, filed Jan. 10, 2018, by William S. Doolan, Steve Charles Nichols, and Roy Joseph Seiders.
 U.S. Appl. No. 29/632,923, filed Jan. 10, 2018, by William S. Doolan, Steve Charles Nichols, and Roy Joseph Seiders.

* cited by examiner

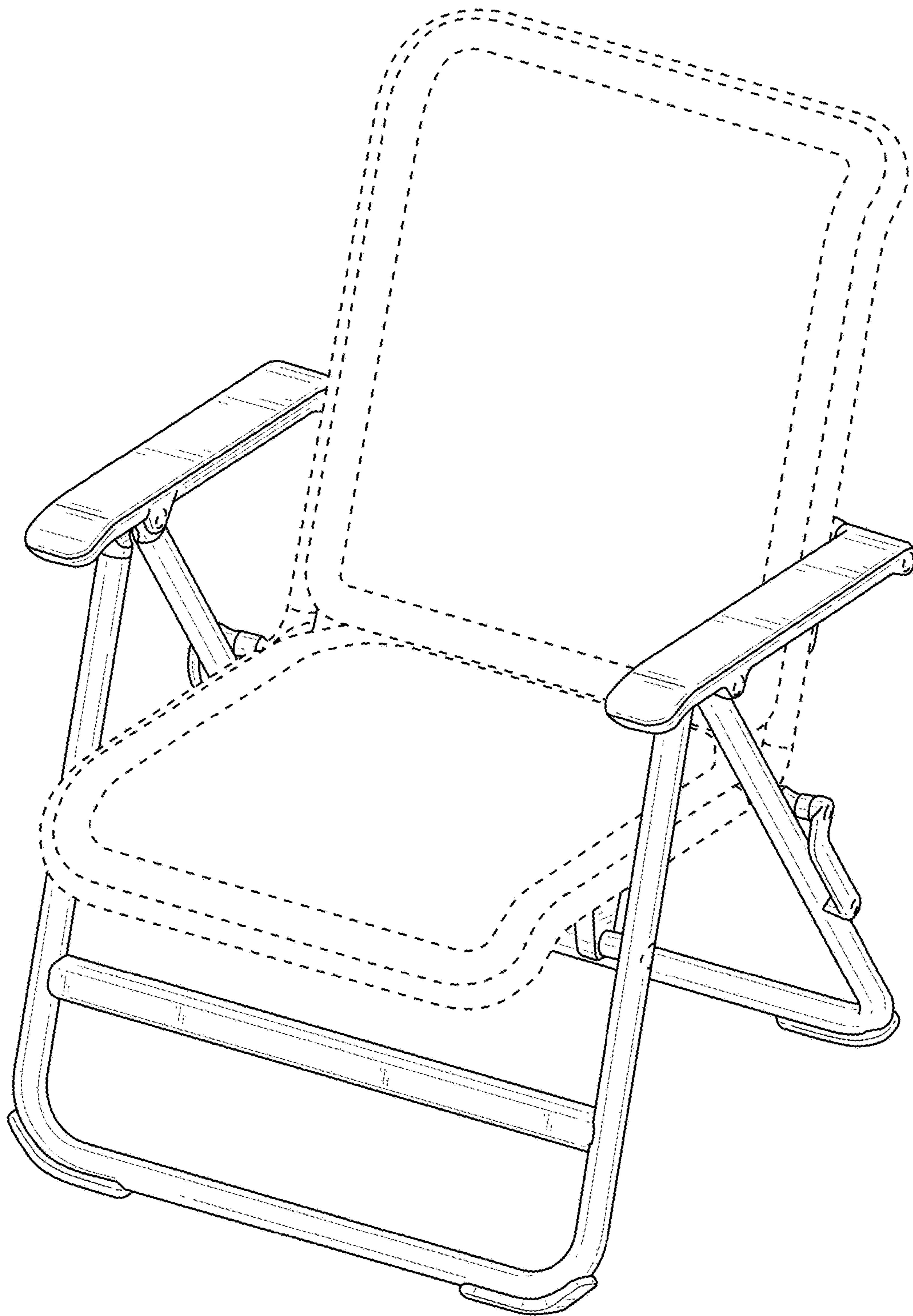


FIG. 1

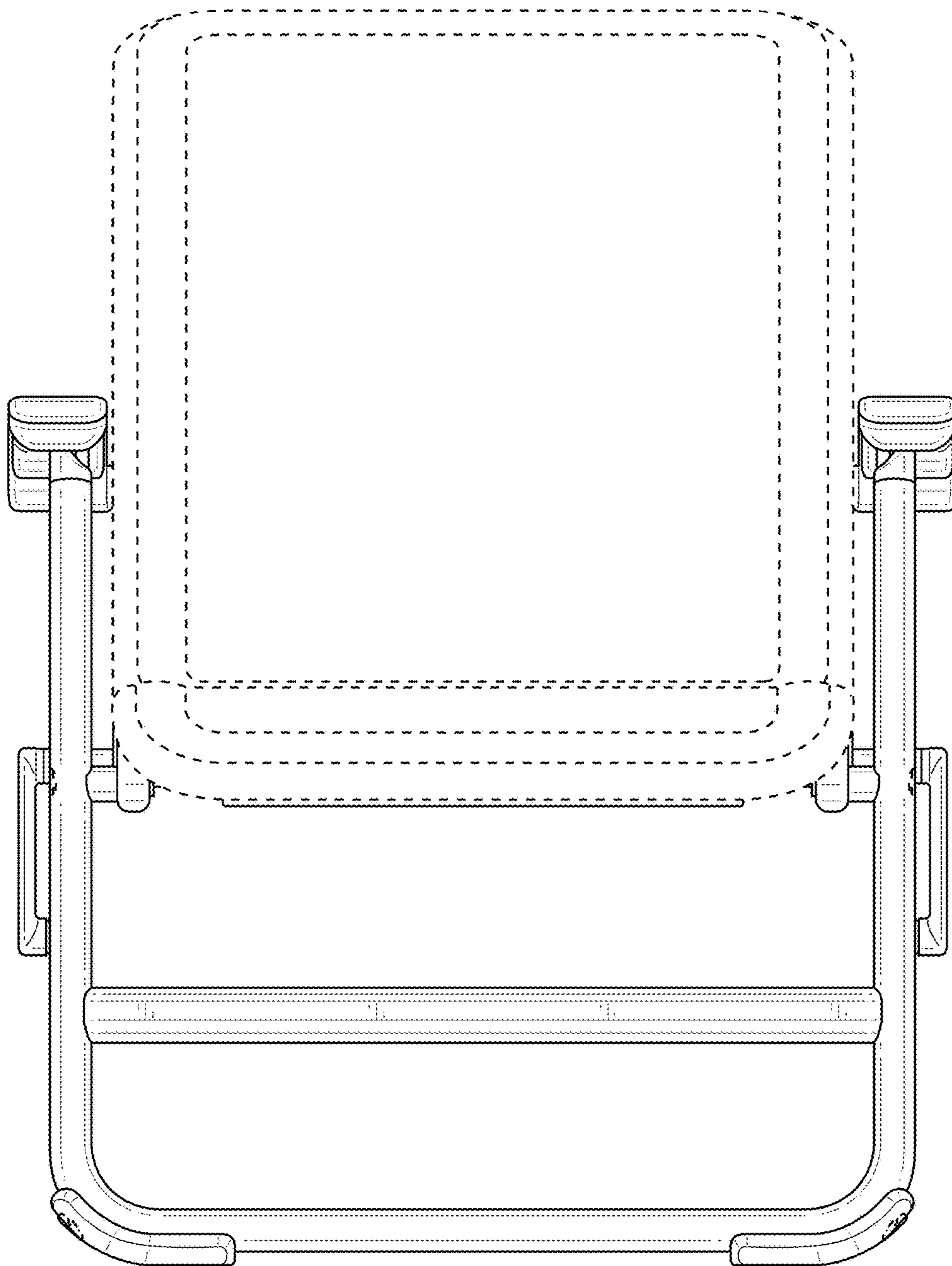


FIG. 2

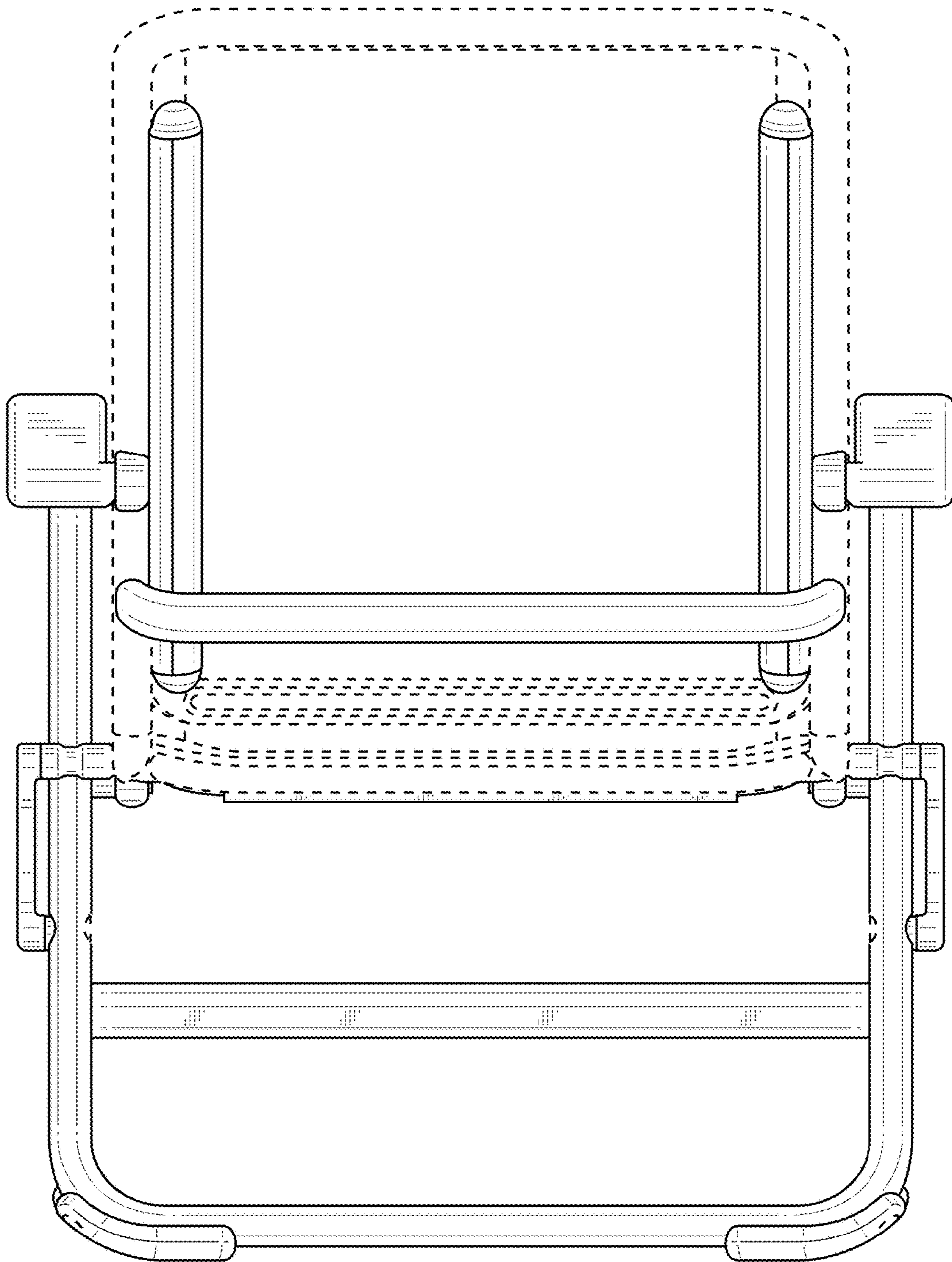


FIG. 3

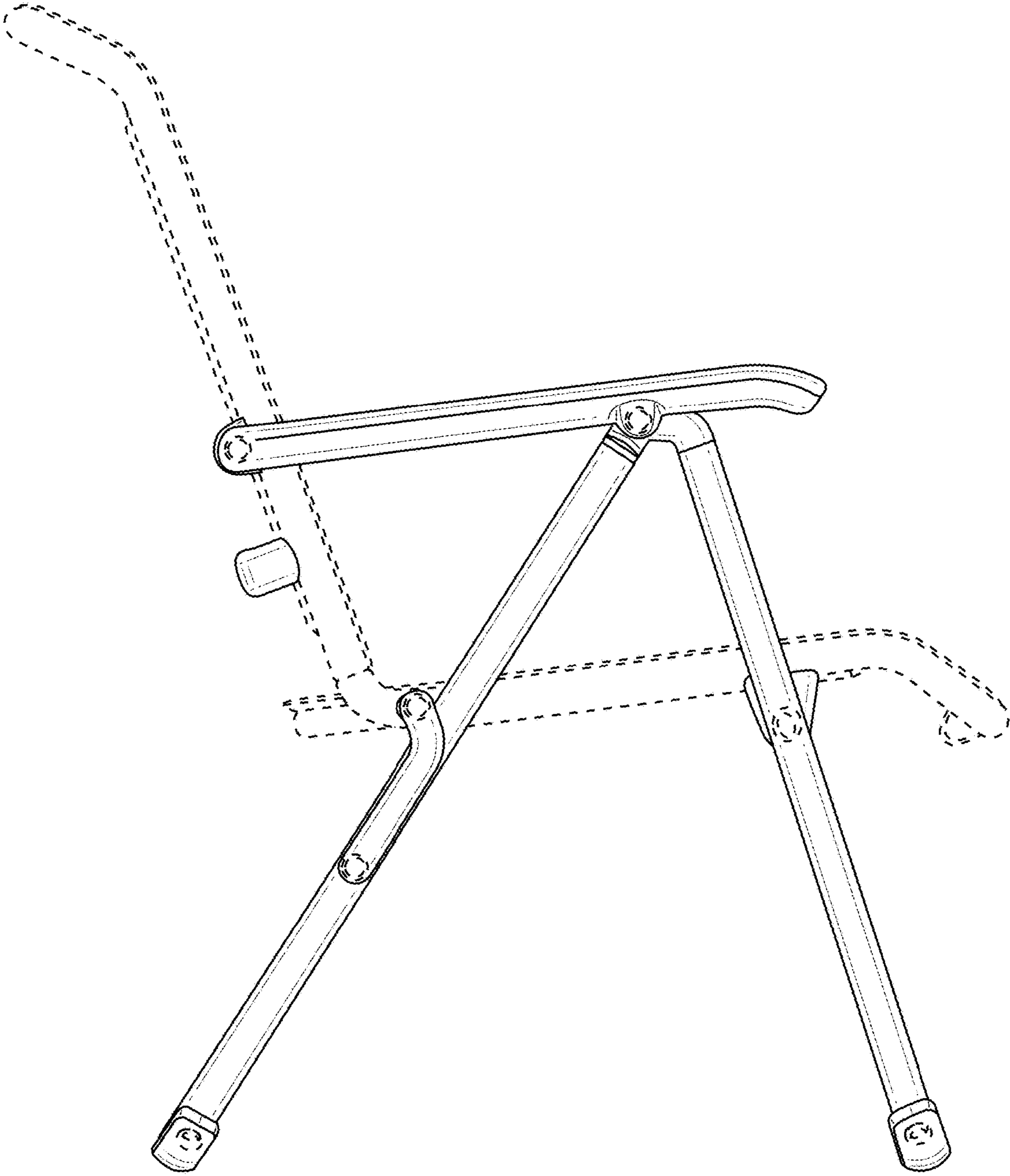


FIG. 4

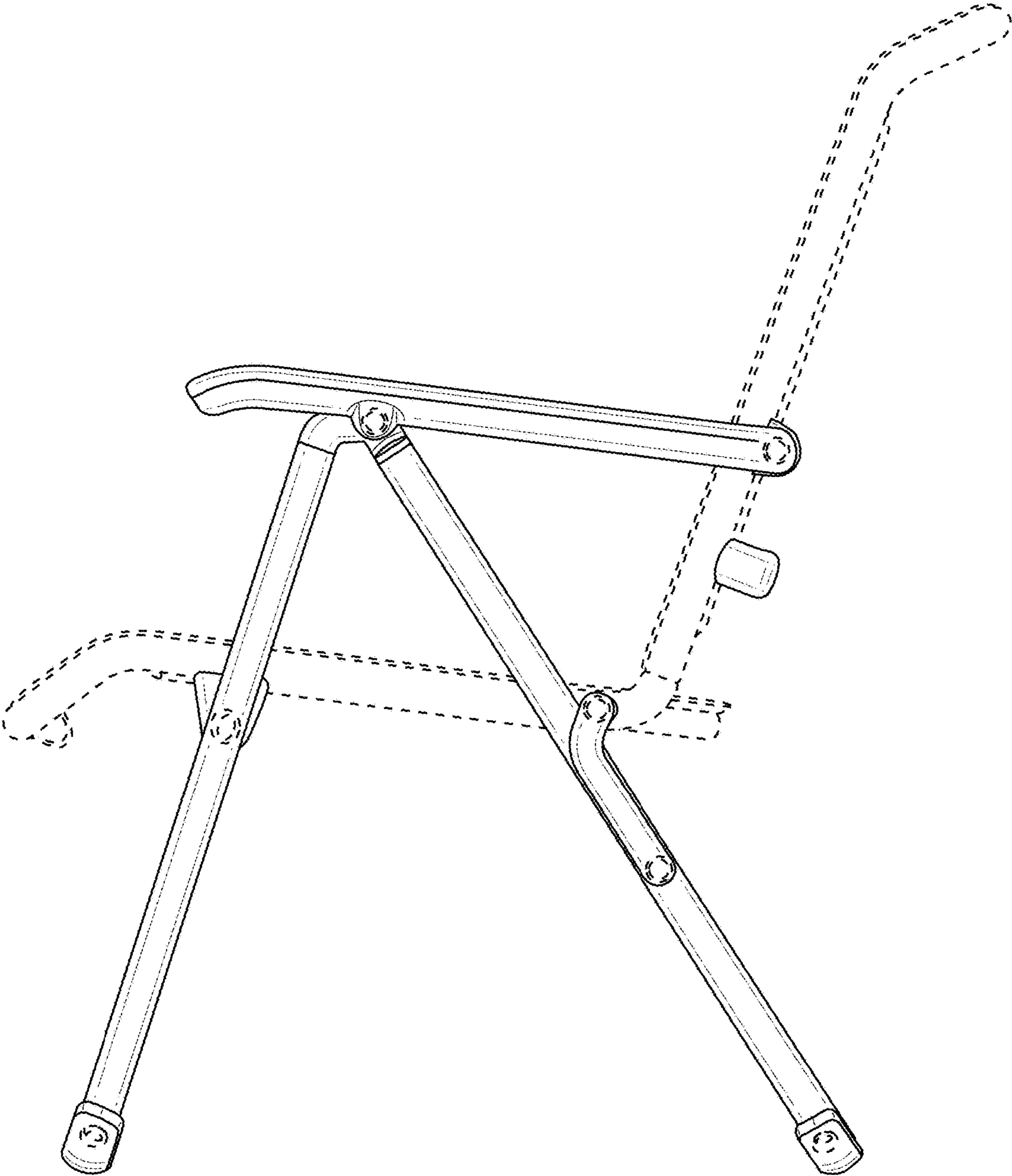


FIG. 5

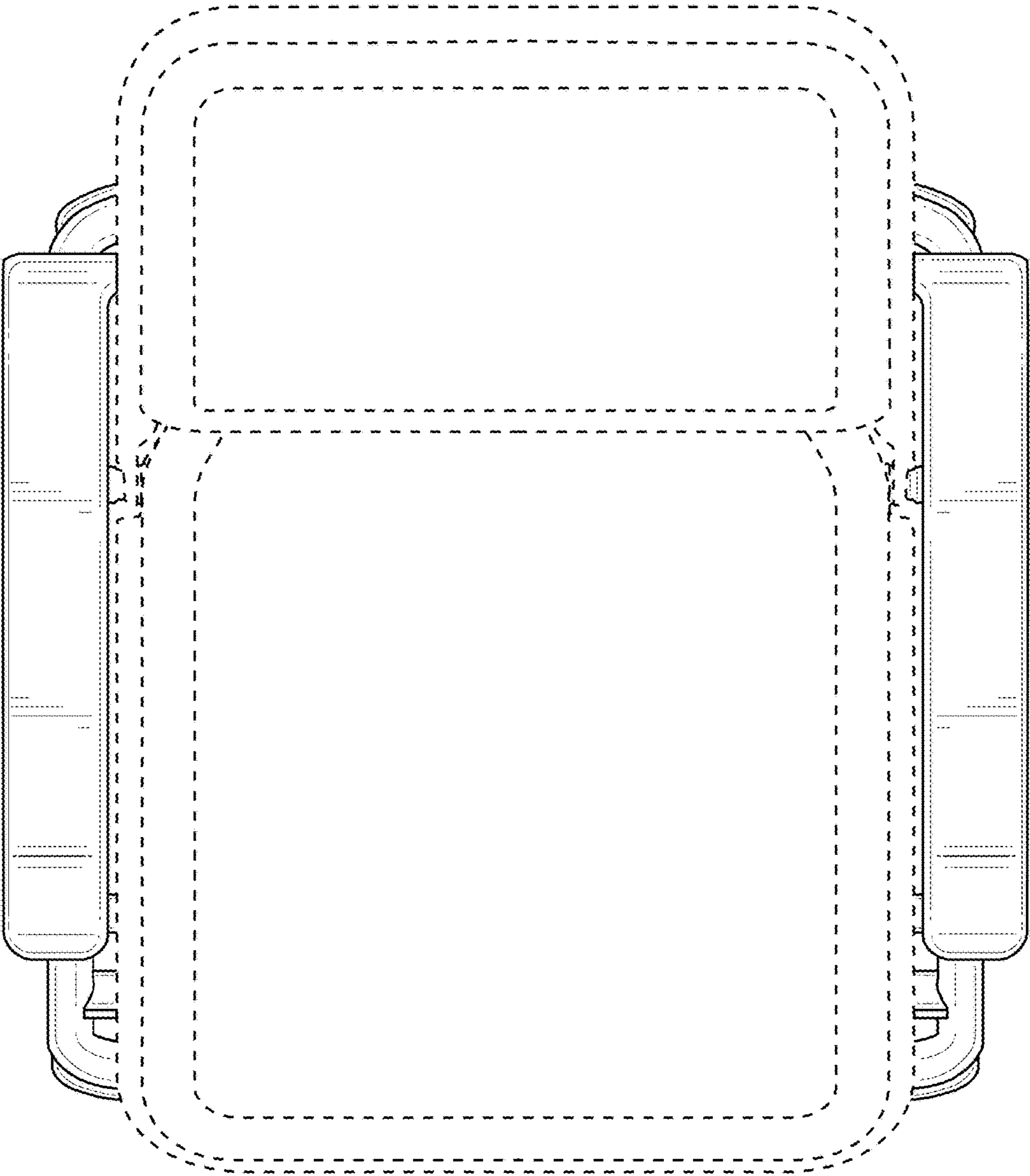


FIG. 6

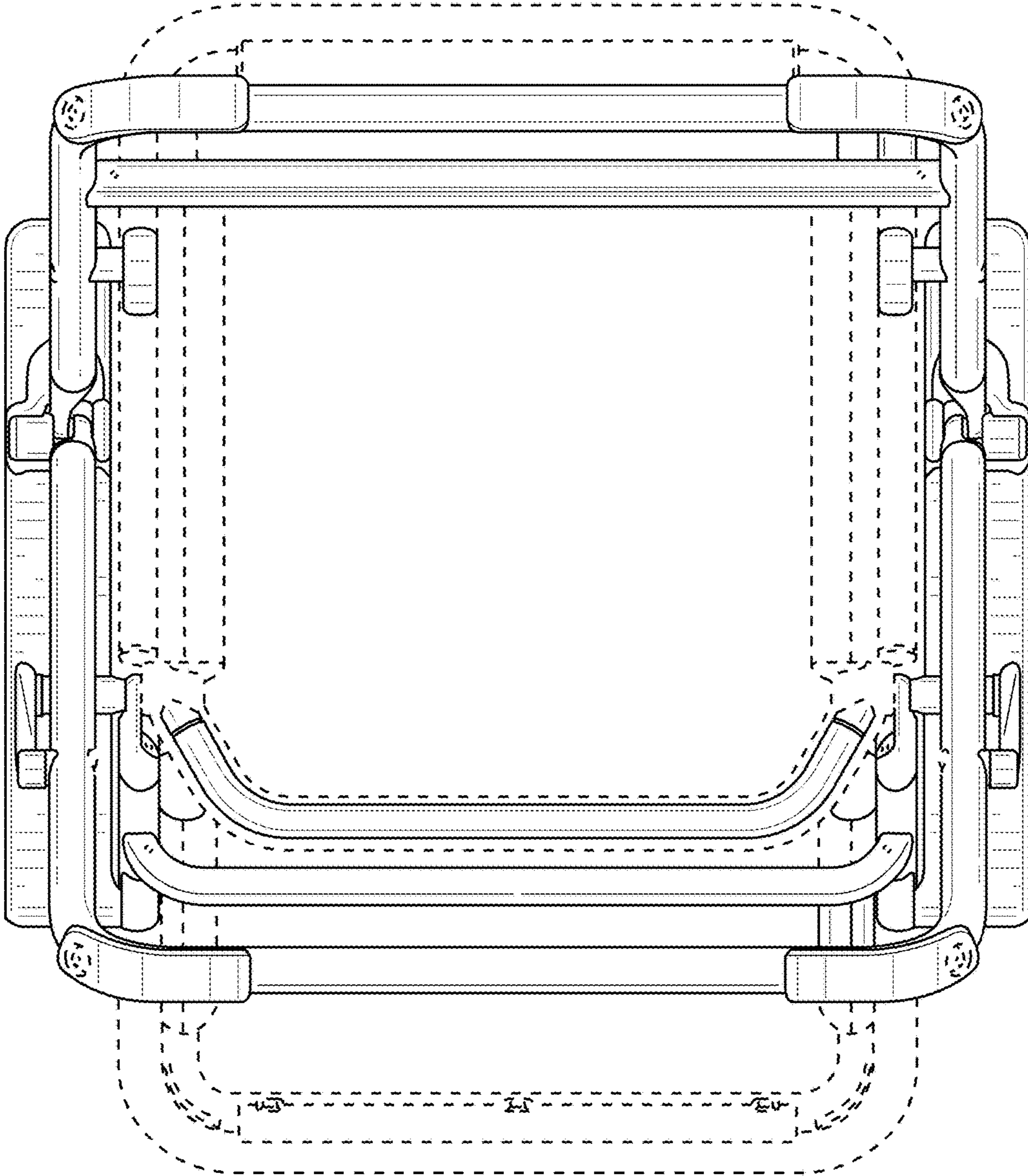


FIG. 7