



US00D843148S

(12) **United States Design Patent** (10) **Patent No.:** **US D843,148 S**  
**Menayan et al.** (45) **Date of Patent:** **\*\* \*Mar. 19, 2019**

(54) **TABLE**

(71) Applicant: **Steelcase Inc.**, Grand Rapids, MI (US)

(72) Inventors: **Jesse M. Menayan**, Sausalito, CA (US); **John Hamilton**, San Rafael, CA (US)

(73) Assignee: **Steelcase Inc.**, Grand Rapids, MI (US)

(\*) Notice: This patent is subject to a terminal disclaimer.

(\*\*) Term: **15 Years**

(21) Appl. No.: **29/528,232**

(22) Filed: **May 27, 2015**

(51) **LOC (11) Cl.** ..... **06-03**

(52) **U.S. Cl.**  
USPC ..... **D6/691.6**

(58) **Field of Classification Search**  
USPC ..... D6/480, 481, 482, 483, 484, 485, 486, D6/487, 488, 489, 495, 496, 497, 498, D6/499, 685, 686, 687, 688, 688.1, D6/688.15, 688.16, 688.24, 689-691, D6/691.4, 691.6, 691.7, 692, 692.2, D6/692.4, 692.5, 693, 693.1, 693.2, D6/694.1, 695, 695.2, 695.4, 695.5, D6/695.8, 696, 696.1, 696.3, 696.4, D6/696.7, 697, 697.1, 697.2, 698, 708, D6/708.16, 708.17, 708.23, 709.2, D6/709.22; 108/153.1, 156, 157.1, 50.02, 108/161; 248/188, 188.1, 188.8  
CPC ..... A47B 3/02; A47B 3/00; A47B 3/0818; A47B 3/087; A47B 2200/001; A47B 2200/11; A47B 13/02; A47B 13/06; A47B 7/00; A47B 91/005; A47B 17/00; A47B 13/04

See application file for complete search history.

(56) **References Cited**

U.S. PATENT DOCUMENTS

D137,684 S *	4/1944	Kramer .....	D6/691
D145,966 S *	11/1946	Baker .....	108/63
D146,846 S *	6/1947	Bach .....	D6/691
D147,534 S *	9/1947	Cutrow .....	108/161
D164,075 S *	7/1951	Wallance .....	D6/691
D167,739 S *	9/1952	Carr .....	D6/691
D168,508 S *	12/1952	Hodgman .....	108/19
2,624,469 A *	1/1953	Adamson .....	A47B 3/02 108/116
2,710,781 A	6/1955	Haynes, Sr.	
3,463,099 A *	8/1969	Doucette .....	A47B 3/12 108/167

(Continued)

FOREIGN PATENT DOCUMENTS

DE	9416757.5	1/1995
JP	2011092441	5/2011

*Primary Examiner* — Kevin K Rudzinski

*Assistant Examiner* — Richard Kearney

(74) *Attorney, Agent, or Firm* — Price Heneveld LLP

(57) **CLAIM**

We claim the ornamental design for a table, as shown and described.

**DESCRIPTION**

FIG. 1 is a top perspective view of a table embodying the present invention;

FIG. 2 is a bottom perspective view of the table;

FIG. 3 is a side elevational view of the table;

FIG. 4 is a front elevational view of the table;

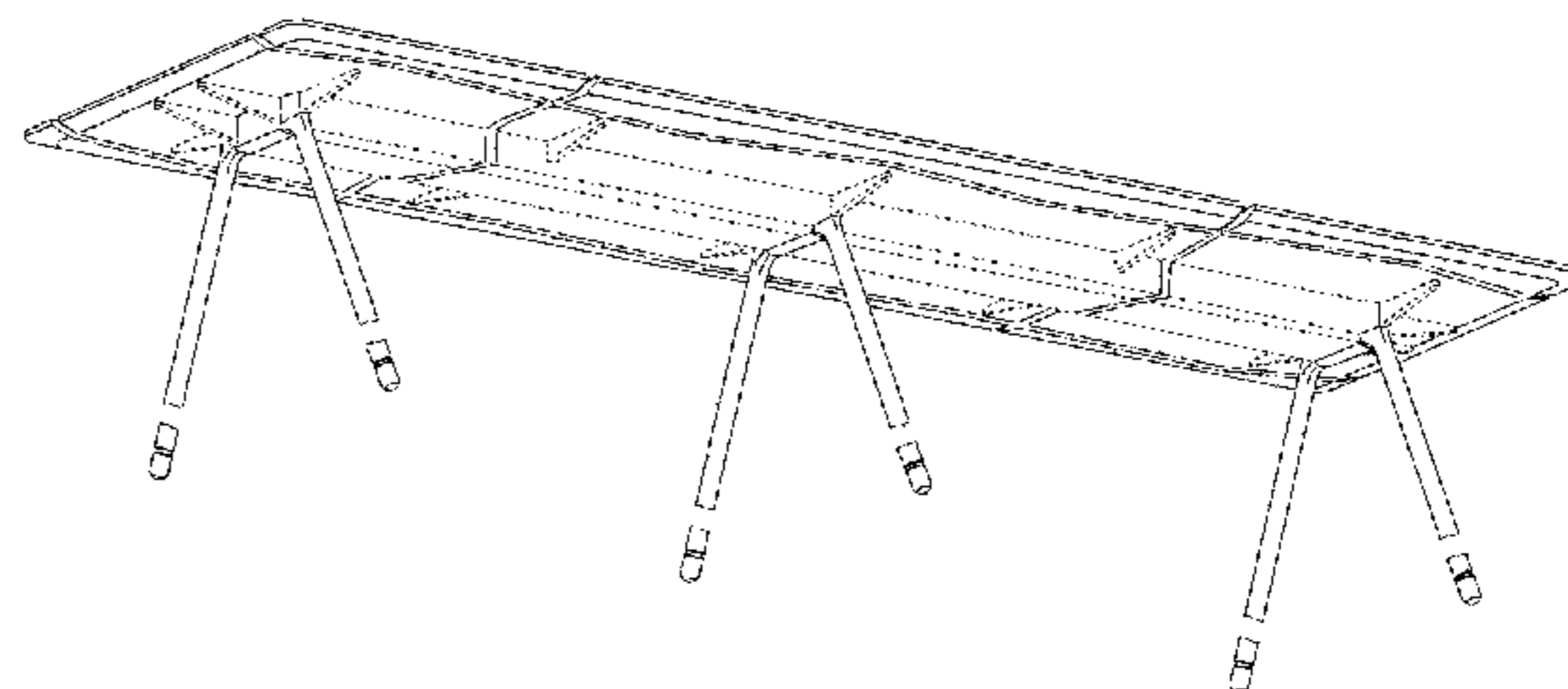
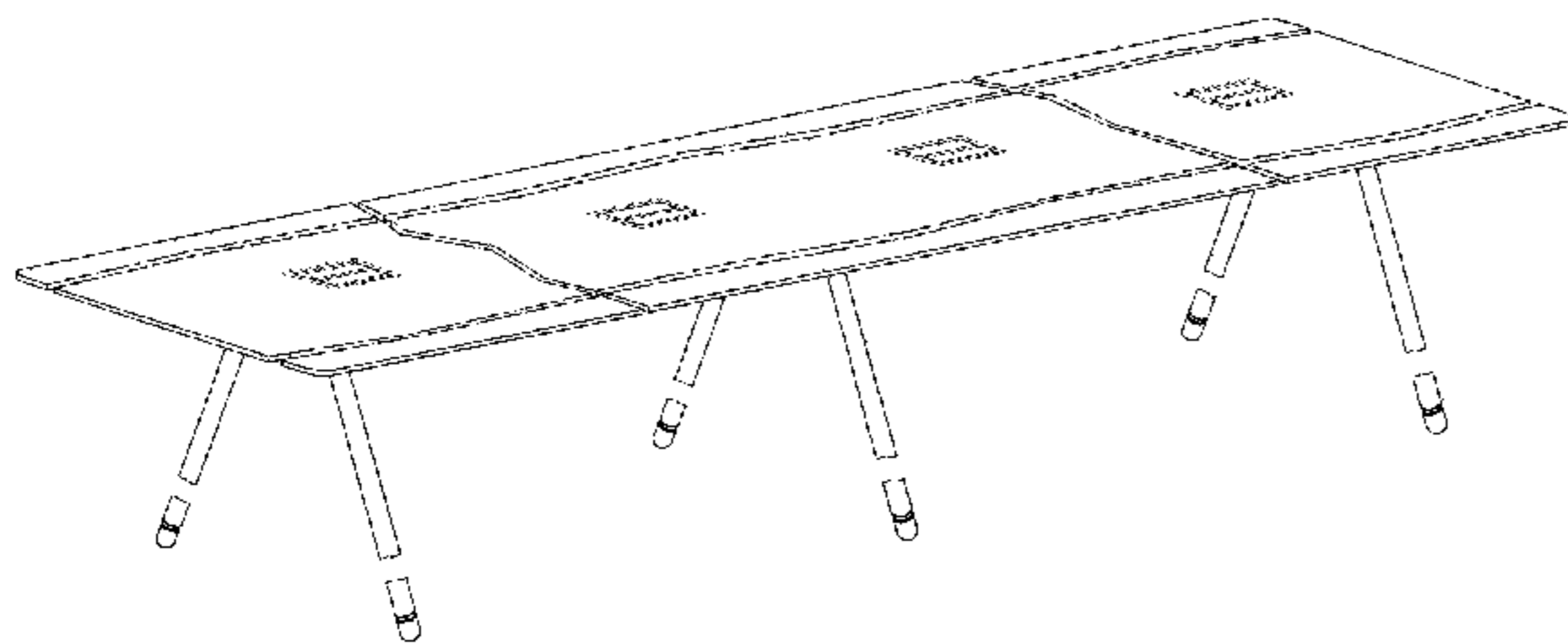
FIG. 5 is a top plan view of the table; and,

FIG. 6 is a bottom plan view of the table.

The broken lines show portions of the table that form no part of the claim.

Symbolic break lines are shown in the length and width of the table and length of the table legs. The appearance of any portion of the article between the break lines forms no part of the claimed design.

**1 Claim, 4 Drawing Sheets**



(56)

References Cited

U.S. PATENT DOCUMENTS

D261,712 S *	11/1981	Ferdinand	.....	D6/691	D501,339 S *	2/2005	Lai	.....	D6/691
D288,880 S *	3/1987	Favaretto	.....	D6/691	D505,810 S *	6/2005	Henriott	.....	D6/691
D303,742 S	10/1989	Reid			D506,091 S *	6/2005	Cioncada	.....	D6/656
D303,886 S	10/1989	Reid			D507,902 S *	8/2005	Cioncada	.....	D6/647
D303,887 S	10/1989	Reid			D517,843 S	3/2006	Barefoot		
D308,444 S *	6/1990	Burdick	.....	D6/685	D519,305 S	4/2006	Pesso		
D314,681 S	2/1991	Reid			D520,271 S	5/2006	Ming		
5,203,528 A	4/1993	Oke			D553,396 S	10/2007	Vargo		
D343,311 S *	1/1994	Ball	.....	D6/691	D575,968 S *	9/2008	Saffell	.....	D6/709.21
D358,050 S	5/1995	Koning			D580,687 S	11/2008	Saffell et al.		
5,438,937 A	8/1995	Ball et al.			D592,892 S *	5/2009	Sexton	.....	D6/691
D376,712 S *	12/1996	Mezger	.....	D6/656	D600,476 S	9/2009	Stoller		
D386,328 S *	11/1997	Good	.....	D6/691.7	D604,958 S *	12/2009	Symons	.....	D6/656
5,715,761 A	2/1998	Frattini			D649,810 S *	12/2011	Martin	.....	D6/702
D396,974 S *	8/1998	D'Urbino	.....	D6/691	D649,811 S *	12/2011	Martin	.....	D6/644
D403,898 S *	1/1999	Arnegger	.....	D6/691	D650,612 S *	12/2011	Frinier	.....	D6/691.3
5,934,203 A	8/1999	Glass			8,146,514 B2	4/2012	Hamilton et al.		
5,975,626 A *	11/1999	Aycock	.....	A47C 9/105 297/16.1	D659,433 S *	5/2012	Starck	.....	D6/656.19
D418,699 S	1/2000	Burns et al.			D663,133 S *	7/2012	Pelikan	.....	D6/691
D423,832 S	5/2000	Kane et al.			8,667,908 B2	3/2014	Martin et al.		
D432,809 S *	10/2000	Hewitt	.....	D6/349	D716,073 S *	10/2014	Hsu	.....	D6/654.17
D456,183 S	4/2002	Brown			D719,773 S	12/2014	Korte		
6,415,723 B1	7/2002	Kopish et al.			D720,170 S	12/2014	Korte		
D467,453 S	12/2002	Kwon			D721,245 S	1/2015	Agati et al.		
6,523,795 B2	2/2003	Gutgsell et al.			D729,556 S *	5/2015	Sampietro	.....	D6/691
D476,179 S	6/2003	Lenger			D730,659 S *	6/2015	Sakurai	.....	D6/656.13
D476,512 S	7/2003	Glass			D731,221 S	6/2015	Hosoya		
D478,437 S	8/2003	Wang			D732,852 S *	6/2015	Park	.....	D6/656
D499,585 S	12/2004	Williams et al.			D772,620 S *	11/2016	Dahlstrom	.....	D6/691
					D772,621 S *	11/2016	Levy	.....	D6/691
					D775,876 S *	1/2017	Gaschy	.....	D6/691
					D781,085 S *	3/2017	Liu	.....	D6/691
					2006/0096506 A1	5/2006	Brauning		

\* cited by examiner

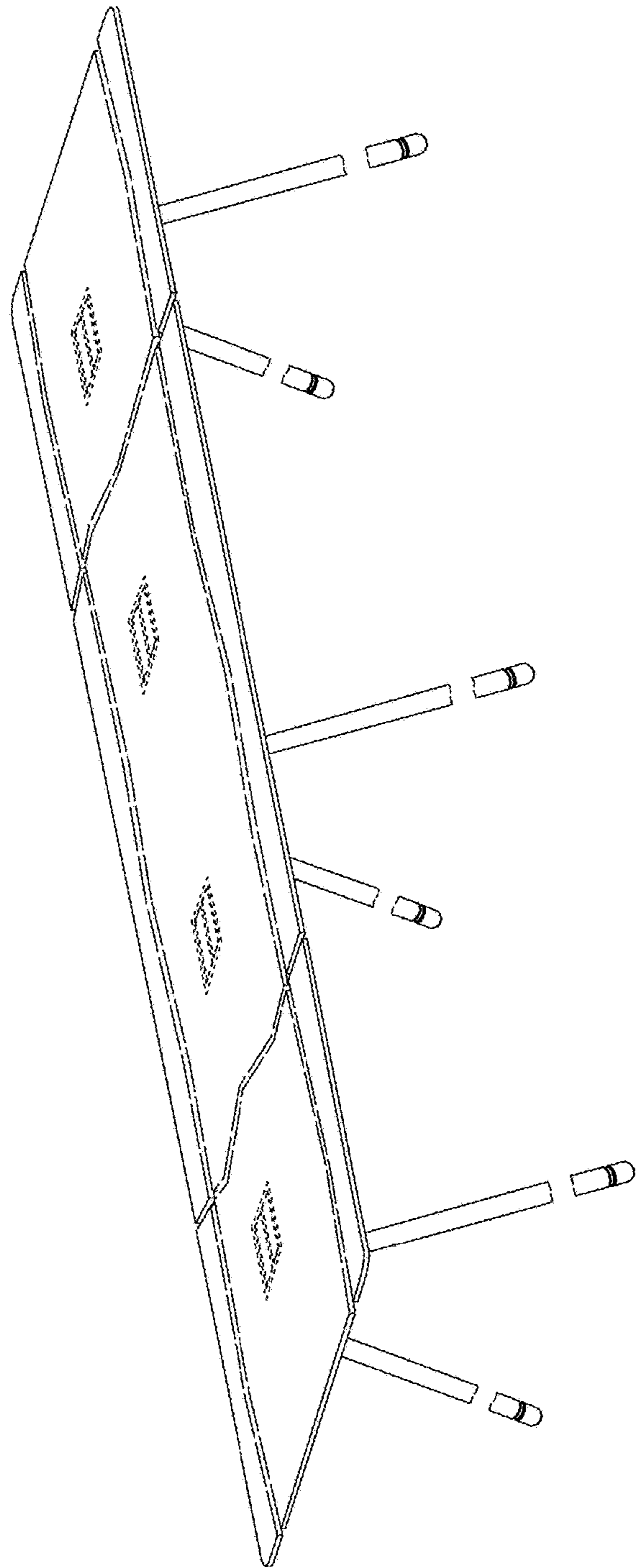


FIG. 1

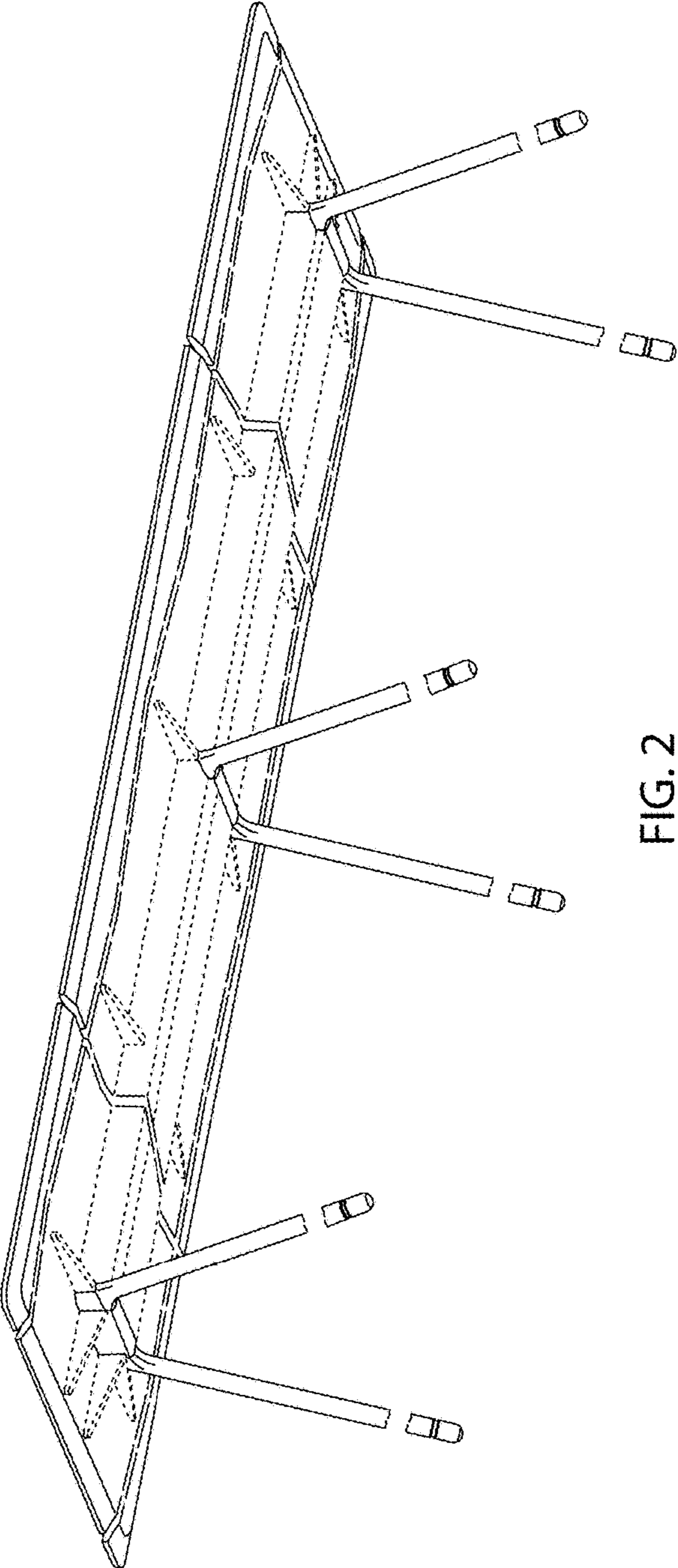


FIG. 2

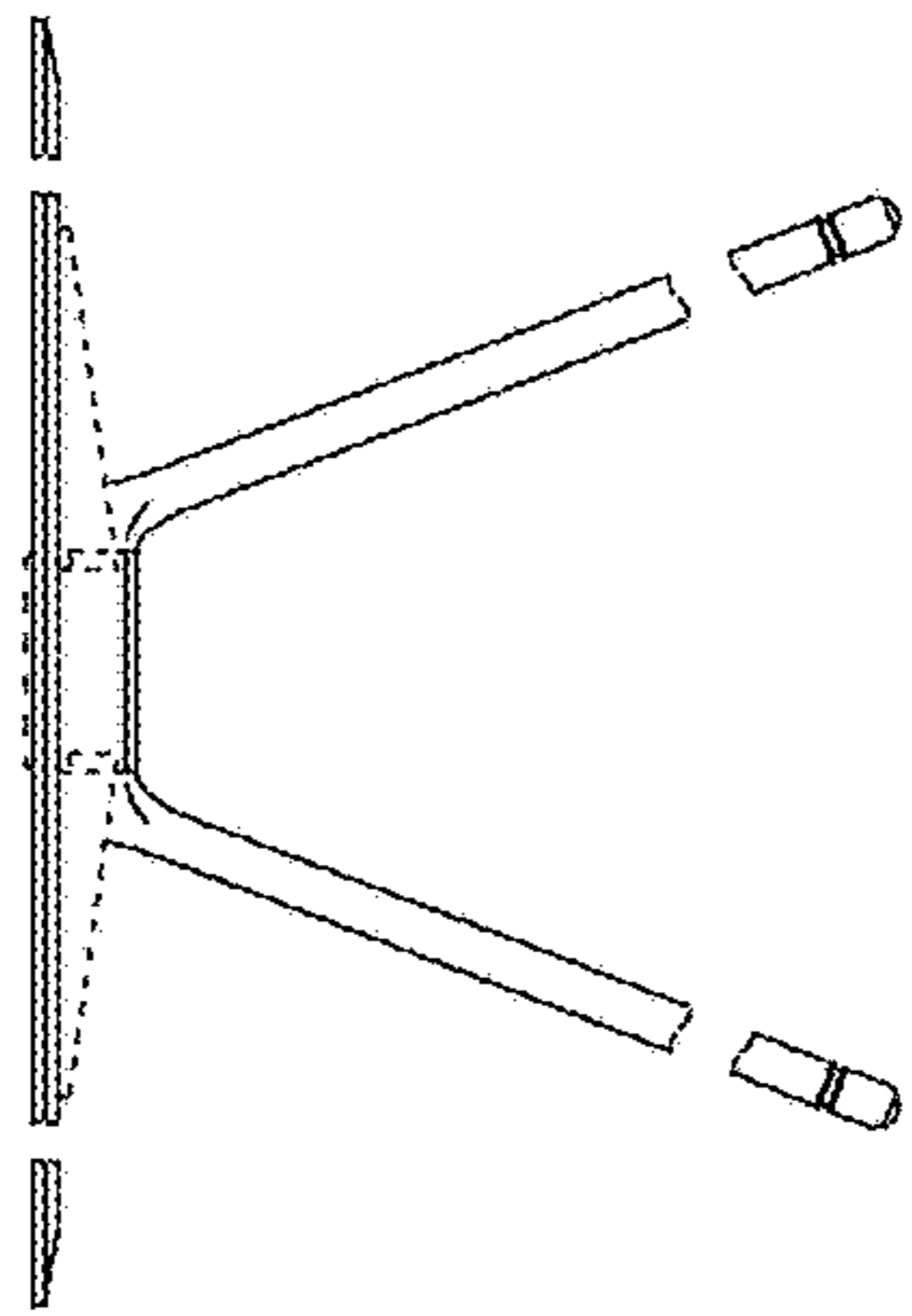


FIG. 3

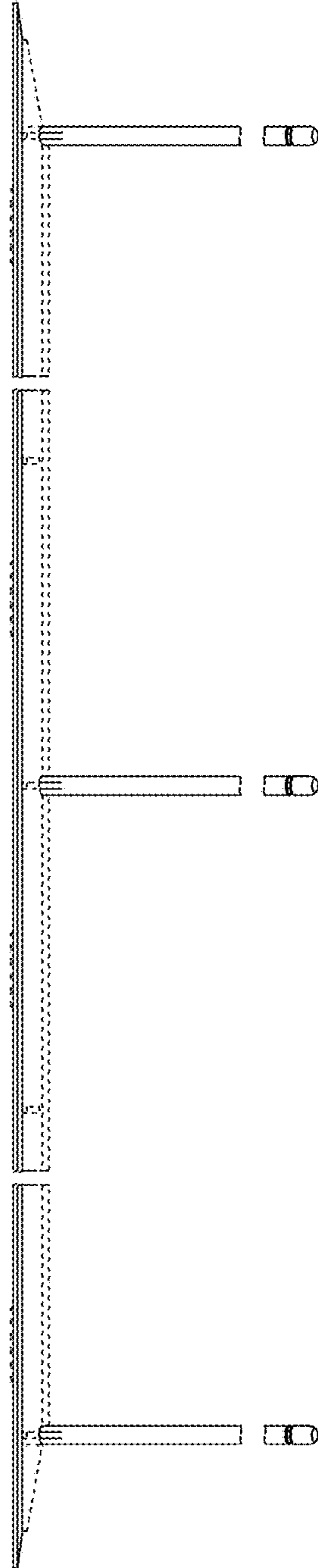


FIG. 4

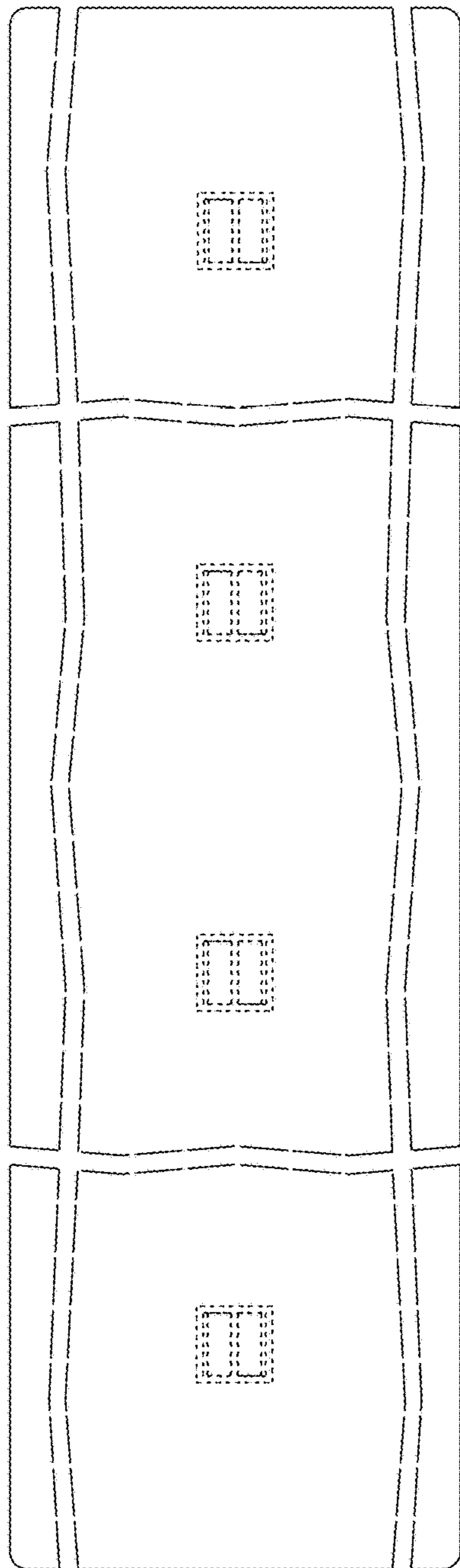


FIG. 5

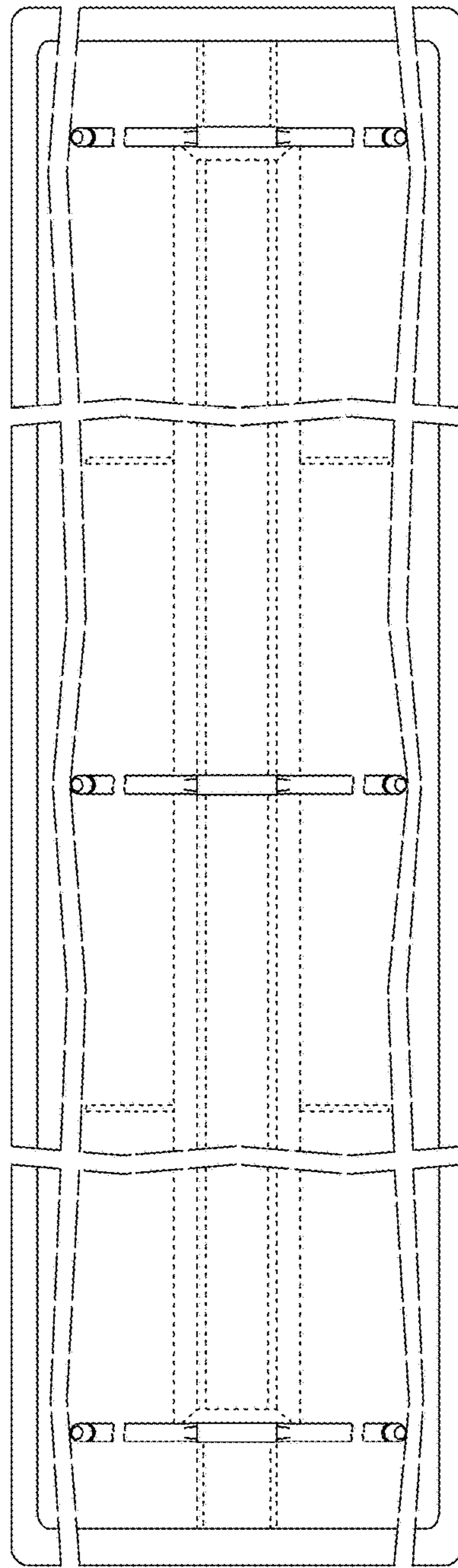


FIG. 6