



US00D843147S

(12) **United States Design Patent**
Menayan et al.

(10) **Patent No.:** **US D843,147 S**

(45) **Date of Patent:** **** *Mar. 19, 2019**

(54) **TABLE**

13/06; A47B 7/00; A47B 91/005; A47B
17/00

(71) Applicant: **Steelcase Inc.**, Grand Rapids, MI (US)

See application file for complete search history.

(72) Inventors: **Jesse M. Menayan**, Sausalito, CA
(US); **John Hamilton**, San Rafael, CA
(US)

(56) **References Cited**

U.S. PATENT DOCUMENTS

(73) Assignee: **Steelcase Inc.**, Grand Rapids, MI (US)

(*) Notice: This patent is subject to a terminal disclaimer.

D137,684	S	*	4/1944	Kramer	D6/691
D145,966	S	*	11/1946	Baker	108/63
D146,846	S	*	6/1947	Bach	D6/691
D147,534	S	*	9/1947	Cutrow	108/161
D164,075	S	*	7/1951	Wallance	D6/691
D167,739	S	*	9/1952	Carr	D6/691
D168,508	S	*	12/1952	Hodgman	108/19
2,624,469	A	*	1/1953	Adamson	A47B 3/02 108/116

(**) Term: **15 Years**

2,710,781	A		6/1955	Haynes, Sr.		
3,463,099	A	*	8/1969	Doucette	A47B 3/12 108/167
D261,712	S	*	11/1981	Ferdinand	D6/691
D288,880	S	*	3/1987	Favaretto	D6/691

(21) Appl. No.: **29/528,230**

(22) Filed: **May 27, 2015**

(Continued)

(51) **LOC (11) Cl.** **06-03**

FOREIGN PATENT DOCUMENTS

(52) **U.S. Cl.**

USPC **D6/691.6**

DE	9416757.5	1/1995
JP	2011092441	5/2011

(58) **Field of Classification Search**

USPC D6/480, 481, 482, 483, 484, 485, 486,
D6/487, 488, 489, 495, 496, 497, 498,
D6/499, 685, 686, 687, 688, 688.1,
D6/688.15, 688.16, 688.24, 689-691,
D6/691.4, 691.6, 691.7, 692, 692.2,
D6/692.4, 692.5, 693, 693.1, 693.2,
D6/694.1, 695, 695.2, 695.4, 695.5,
D6/695.8, 696, 696.1, 696.3, 696.4,
D6/696.7, 697, 697.1, 697.2, 698, 708,
D6/708.16, 708.17, 708.23, 709.2,
D6/709.22; 108/153.1, 156, 157.1, 50.02,
108/161; 248/188, 188.1, 188.8

Primary Examiner — Kevin K Rudzinski

Assistant Examiner — Richard Kearney

(74) *Attorney, Agent, or Firm* — Price Heneveld LLP

CPC A47B 3/02; A47B 3/00; A47B 3/0818;
A47B 3/087; A47B 2200/001; A47B
2200/11; A47B 13/02; A47B 13/04; A47B

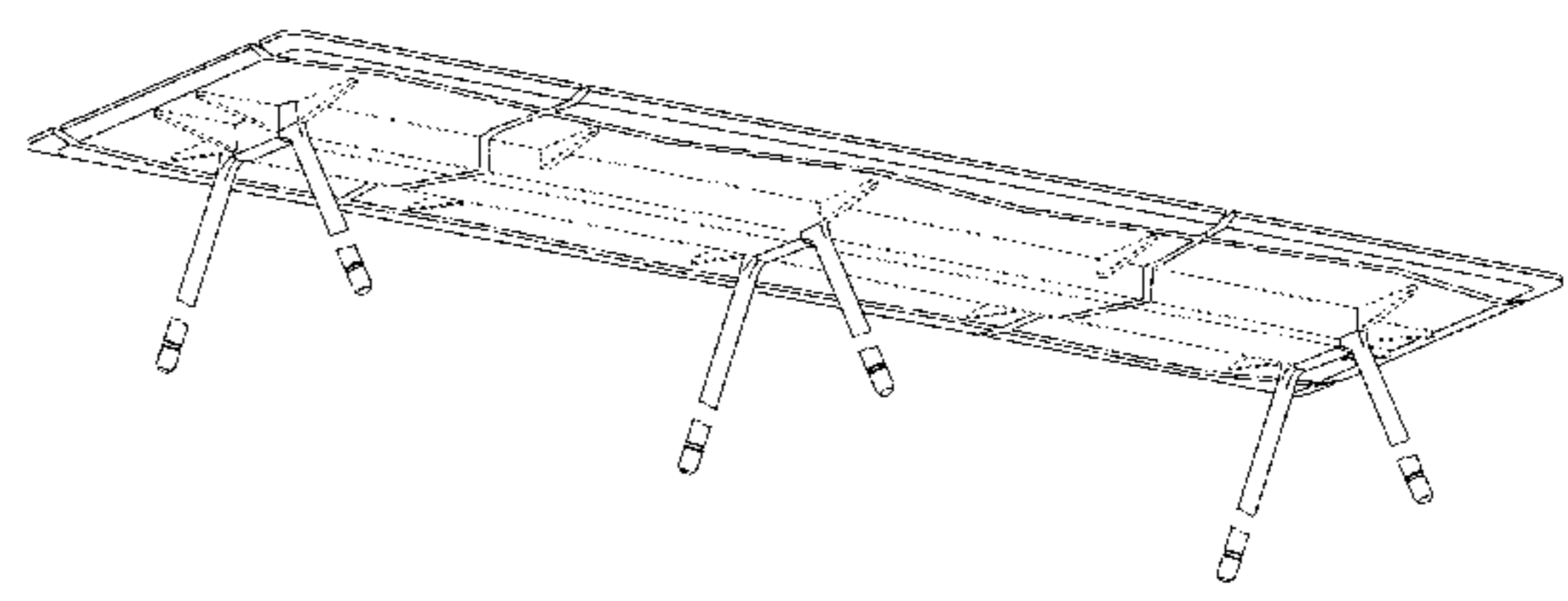
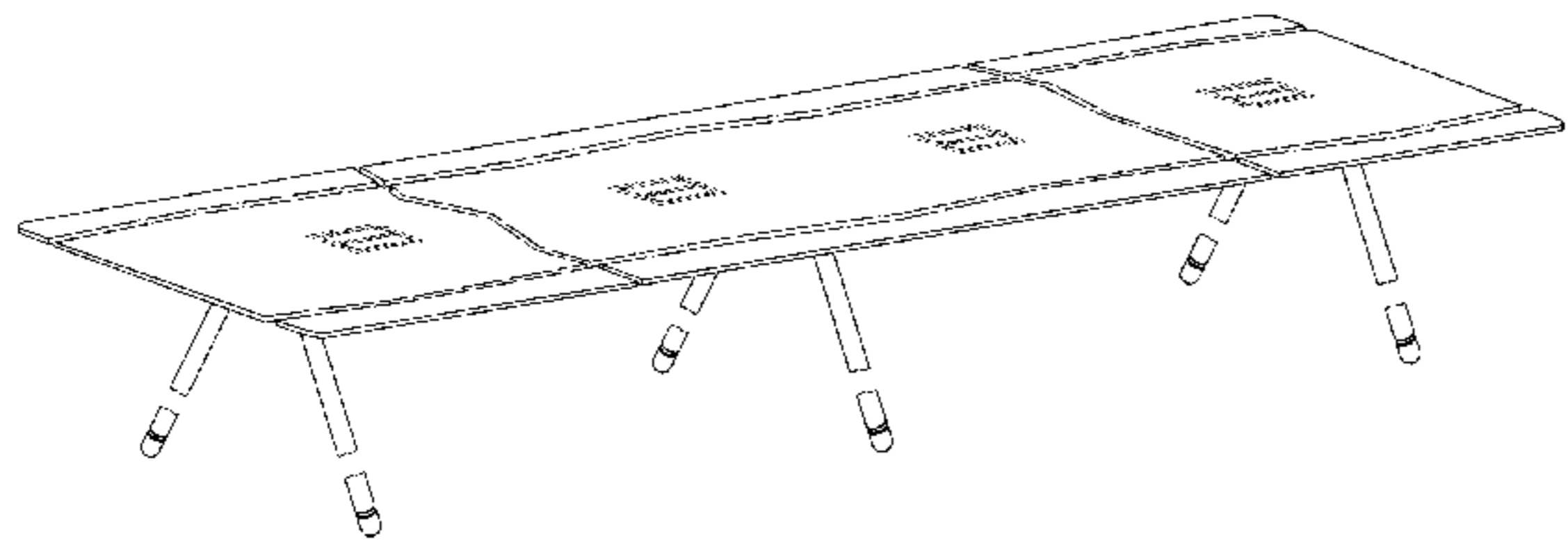
(57) **CLAIM**

We claim the ornamental design for a table, as shown and described.

DESCRIPTION

FIG. 1 is a top perspective view of a table embodying the present invention;
FIG. 2 is a bottom perspective view of the table;
FIG. 3 is a side elevational view of the table;
FIG. 4 is a front elevational view of the table;
FIG. 5 is a top plan view of the table; and,
FIG. 6 is a bottom plan view of the table.

(Continued)



Symbolic break lines are shown in the length and width of the table and length of the table legs. The appearance of any portion of the article between the break lines forms no part of the claimed design.

1 Claim, 4 Drawing Sheets

(56)

References Cited

U.S. PATENT DOCUMENTS

D303,742	S	10/1989	Reid	
D303,886	S	10/1989	Reid	
D303,887	S	10/1989	Reid	
D308,444	S *	6/1990	Burdick	D6/685
D314,681	S	2/1991	Reid	
5,203,528	A	4/1993	Oke	
D343,311	S *	1/1994	Ball	D6/691
D358,050	S	5/1995	Koning	
5,438,937	A	8/1995	Ball et al.	
D376,712	S *	12/1996	Mezger	D6/656
D386,328	S *	11/1997	Good	D6/691.7
5,715,761	A	2/1998	Frattini	
D396,974	S *	8/1998	D'Urbino	D6/691
D403,898	S *	1/1999	Arnegger	D6/691
5,934,203	A	8/1999	Glass	
5,975,626	A *	11/1999	Aycock	A47C 9/105 297/16.1
D418,699	S	1/2000	Burns et al.	
D423,832	S	5/2000	Kane et al.	
D432,809	S *	10/2000	Hewitt	D6/349
D456,183	S	4/2002	Brown	
6,415,723	B1	7/2002	Kopish et al.	
D467,453	S	12/2002	Kwon	
6,523,795	B2	2/2003	Gutgsell et al.	
D476,179	S	6/2003	Lenger	

D476,512	S	7/2003	Glass	
D478,437	S	8/2003	Wang	
D499,585	S	12/2004	Williams et al.	
D501,339	S *	2/2005	Lai	D6/691
D505,810	S *	6/2005	Henriott	D6/691
D506,091	S *	6/2005	Cioncada	D6/656
D507,902	S *	8/2005	Cioncada	D6/647
D517,843	S	3/2006	Barefoot	
D519,305	S	4/2006	Pesso	
D520,271	S	5/2006	Ming	
D553,396	S	10/2007	Vargo	
D575,968	S *	9/2008	Saffell	D6/709.21
D580,687	S	11/2008	Saffell et al.	
D592,892	S *	5/2009	Sexton	D6/691
D600,476	S	9/2009	Stoller	
D604,958	S *	12/2009	Symons	D6/656
D649,810	S *	12/2011	Martin	D6/702
D649,811	S *	12/2011	Martin	D6/644
D650,612	S *	12/2011	Frinier	D6/691.3
8,146,514	B2	4/2012	Hamilton et al.	
D659,433	S *	5/2012	Starck	D6/656.19
D663,133	S *	7/2012	Pelikan	D6/691
8,667,908	B2	3/2014	Martin et al.	
D716,073	S *	10/2014	Hsu	D6/654.17
D719,773	S	12/2014	Korte	
D720,170	S	12/2014	Korte	
D721,245	S	1/2015	Agati et al.	
D729,556	S *	5/2015	Sampietro	D6/691
D730,659	S *	6/2015	Sakurai	D6/656.13
D731,221	S	6/2015	Hosoya	
D732,852	S *	6/2015	Park	D6/656
D751,328	S *	3/2016	Zdanius	D6/708
D772,620	S *	11/2016	Dahlstrom	D6/691
D772,621	S *	11/2016	Levy	D6/691
9,504,317	B1 *	11/2016	White	A47B 21/06
D775,876	S *	1/2017	Gaschy	D6/691
D781,085	S *	3/2017	Liu	D6/691
2006/0096506	A1 *	5/2006	Brauning	A47B 13/02 108/50.02

* cited by examiner

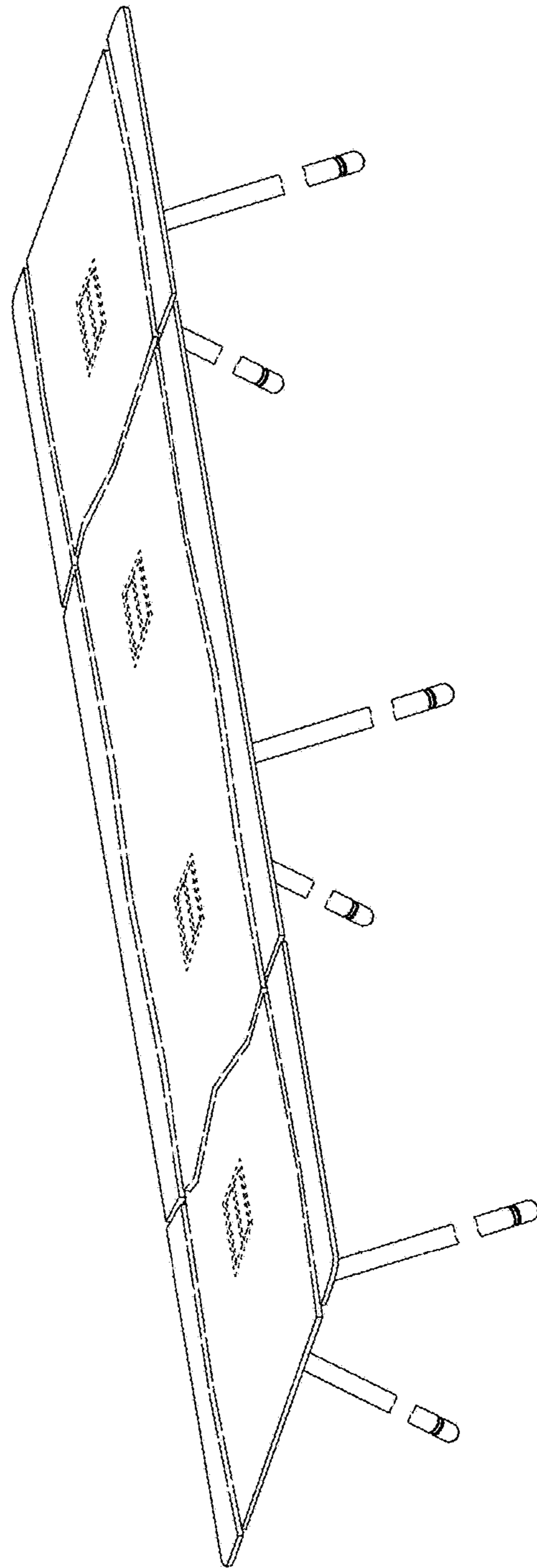


FIG. 1

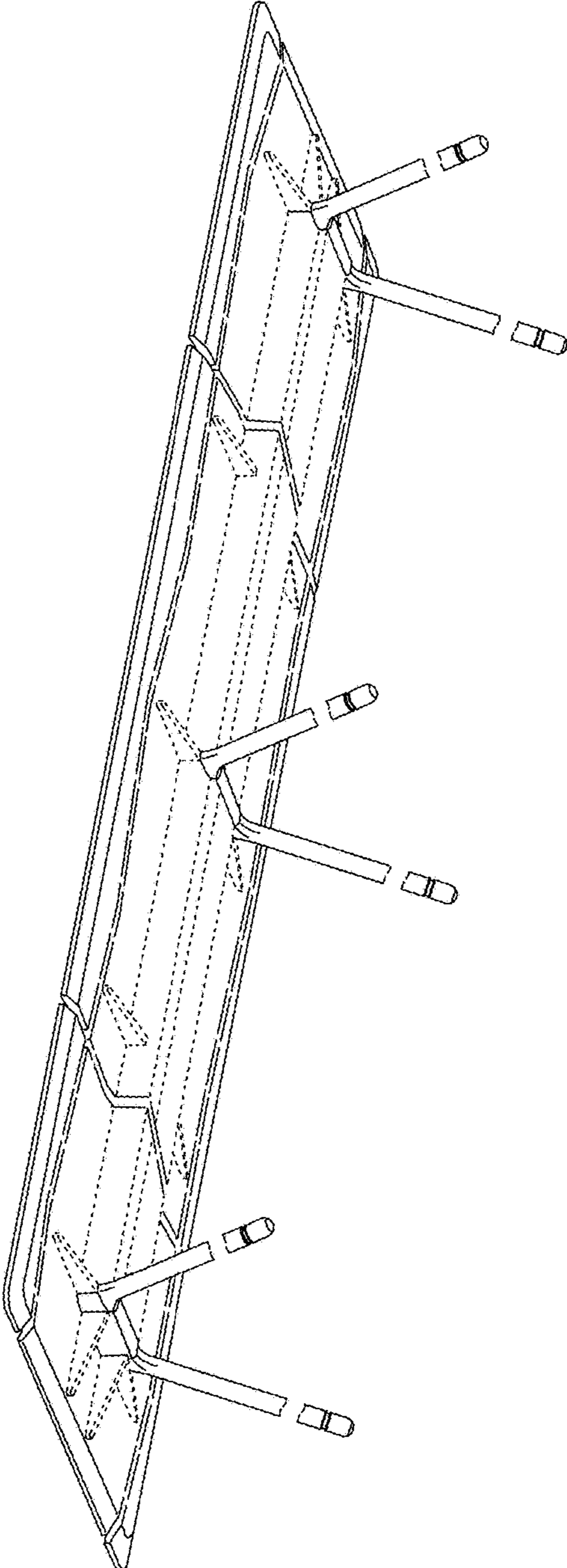


FIG. 2

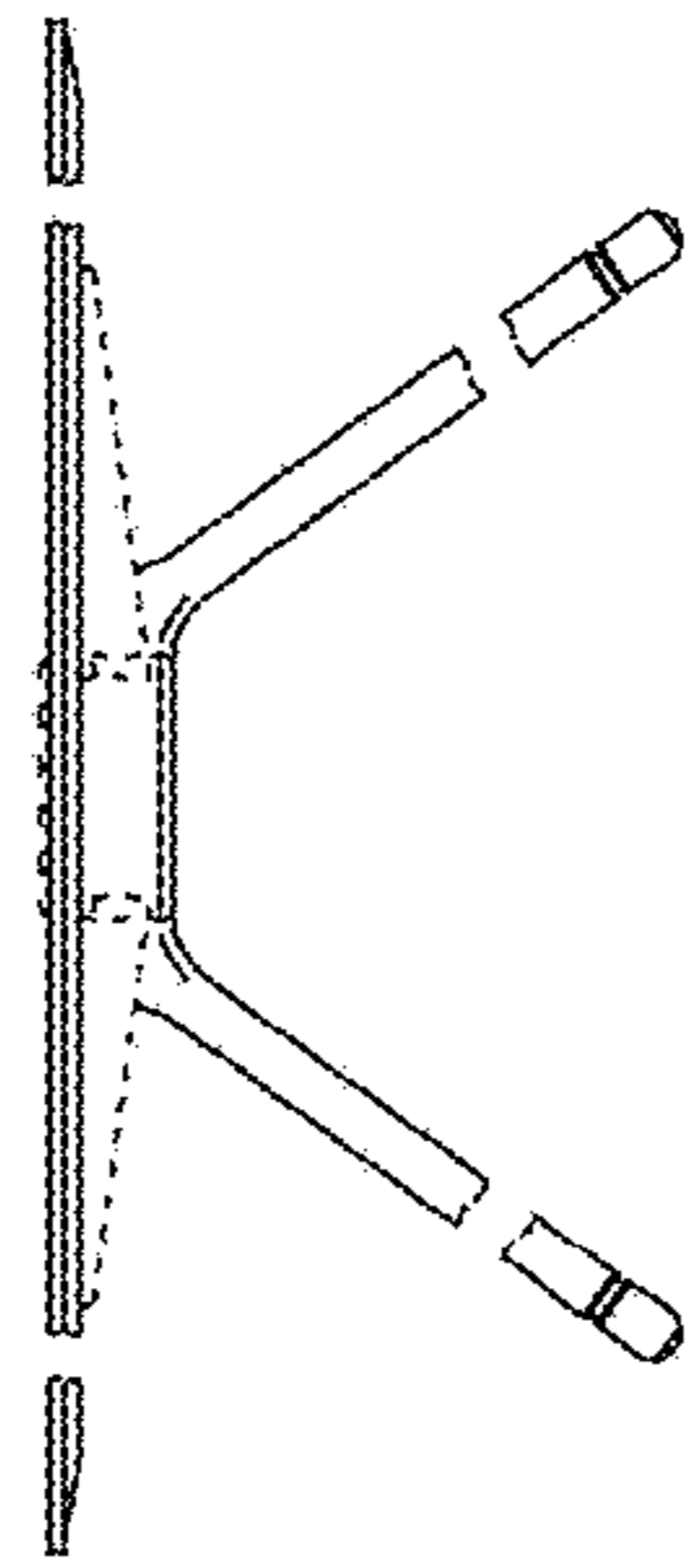


FIG. 3

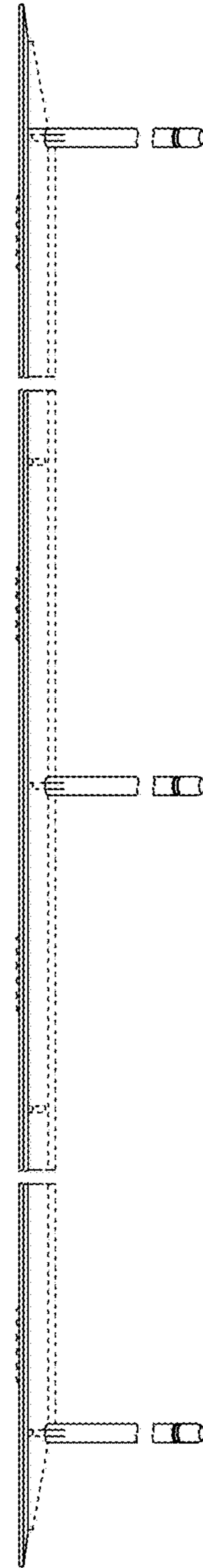


FIG. 4

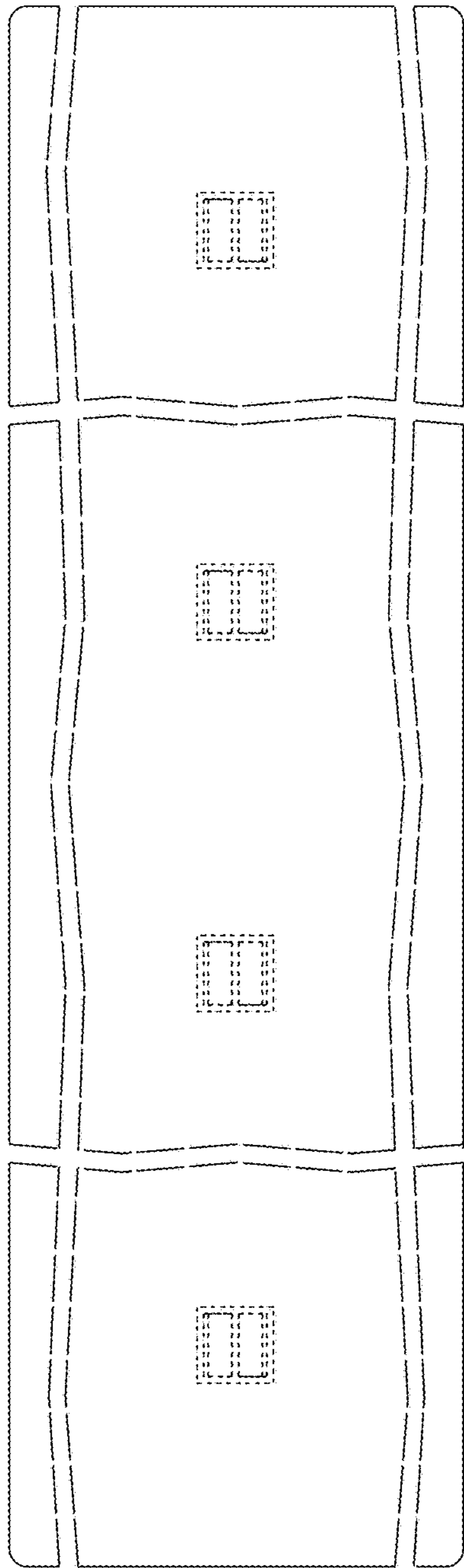


FIG. 5

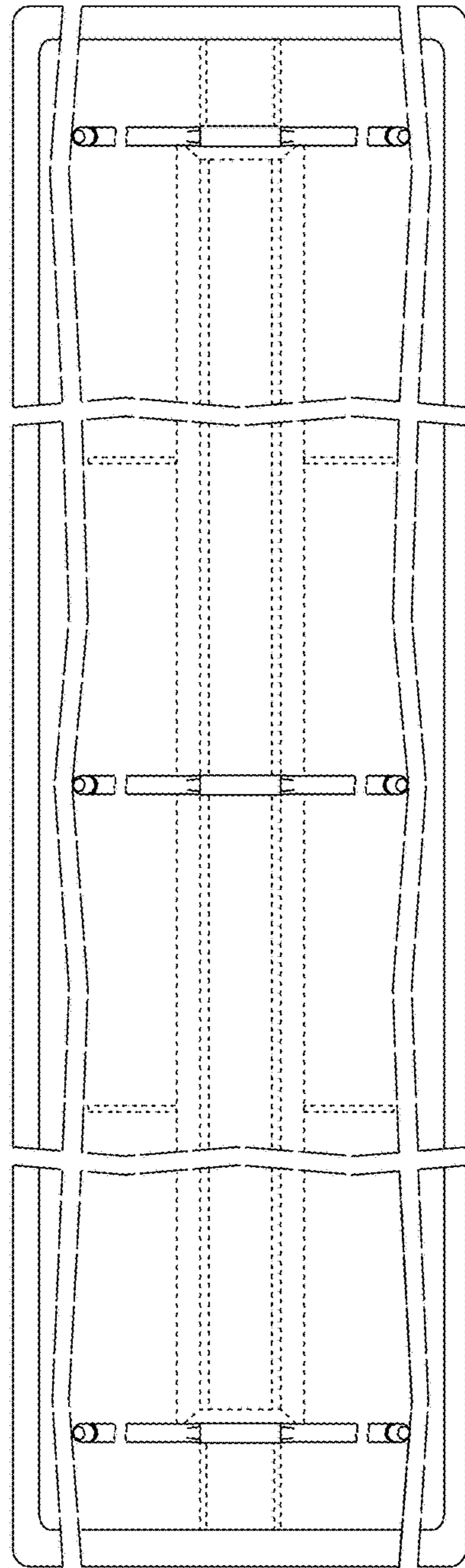


FIG. 6