



US00D843146S

(12) **United States Design Patent** (10) **Patent No.:** **US D843,146 S**
Borras Pons (45) **Date of Patent:** **** Mar. 19, 2019**

(54) **TABLE**
(71) Applicant: **FIGUERAS SEATING SOLUTIONS, S.L.**, Llica D'Amunt (ES)
(72) Inventor: **Pablo Borras Pons**, Llica D'Amunt (ES)

D276,100 S * 10/1984 Middleton D6/672
D392,478 S * 3/1998 Schwab D6/691.4
D716,597 S * 11/2014 Muller D6/708.17
D731,216 S * 6/2015 Sorel D6/690
D750,405 S * 3/2016 Muller D6/708.17
9,623,940 B1 * 4/2017 Robichaux, Jr. B63B 49/00
D799,869 S * 10/2017 Yoo D6/700

(73) Assignee: **Figueras Seating Solutions, S.L.**, Barcelona (ES)

(**) Term: **15 Years**

(21) Appl. No.: **29/590,564**

(22) Filed: **Jan. 11, 2017**

(30) **Foreign Application Priority Data**

Jul. 11, 2016 (EM) 003301472-0006

(51) **LOC (11) Cl.** **06-03**

(52) **U.S. Cl.**
USPC **D6/691.4**

(58) **Field of Classification Search**
USPC D6/641, 657, 685, 686, 689, 690, 691, D6/691.1, 691.2, 691.3, 691.4, 691.5, D6/691.6, 691.7, 691.8, 691.9, 699, D6/699.1, 699.2, 699.3, 699.4, 699.5, D6/702, 707, 707.15, 707.19, 708, 709
CPC .. A47B 37/00; A47B 3/00; A47B 1/00; A47B 3/06; A47B 3/08; A47B 3/0912; A47B 7/00; A47B 21/00; A47B 23/00; A47B 25/00; A47B 13/08; A47B 3/083; A47B 3/14; A47B 41/00; A47B 17/00; A47B 3/045; A47B 3/0809; A47B 3/0812; A47B 2013/026; A47B 2200/03; A47B 2200/00; A47B 2003/0821

See application file for complete search history.

(56) **References Cited**

U.S. PATENT DOCUMENTS

D148,838 S * 3/1948 Anderson D11/143
3,467,033 A * 9/1969 Remer, V A47C 9/10
108/115

OTHER PUBLICATIONS

F48, posted at Figueras.com, posted on Jul. 8, 2017, site visited Mar. 1, 2018. online, available from internet: https://web.archive.org/web/20170708094014/http://www.figueras.com/uk/seats/fixed-seating-auditorium-seating/23_f48.html.*

* cited by examiner

Primary Examiner — Mary Ann Calabrese

Assistant Examiner — Catherine Ho

(74) *Attorney, Agent, or Firm* — Ostrolenk Faber LLP

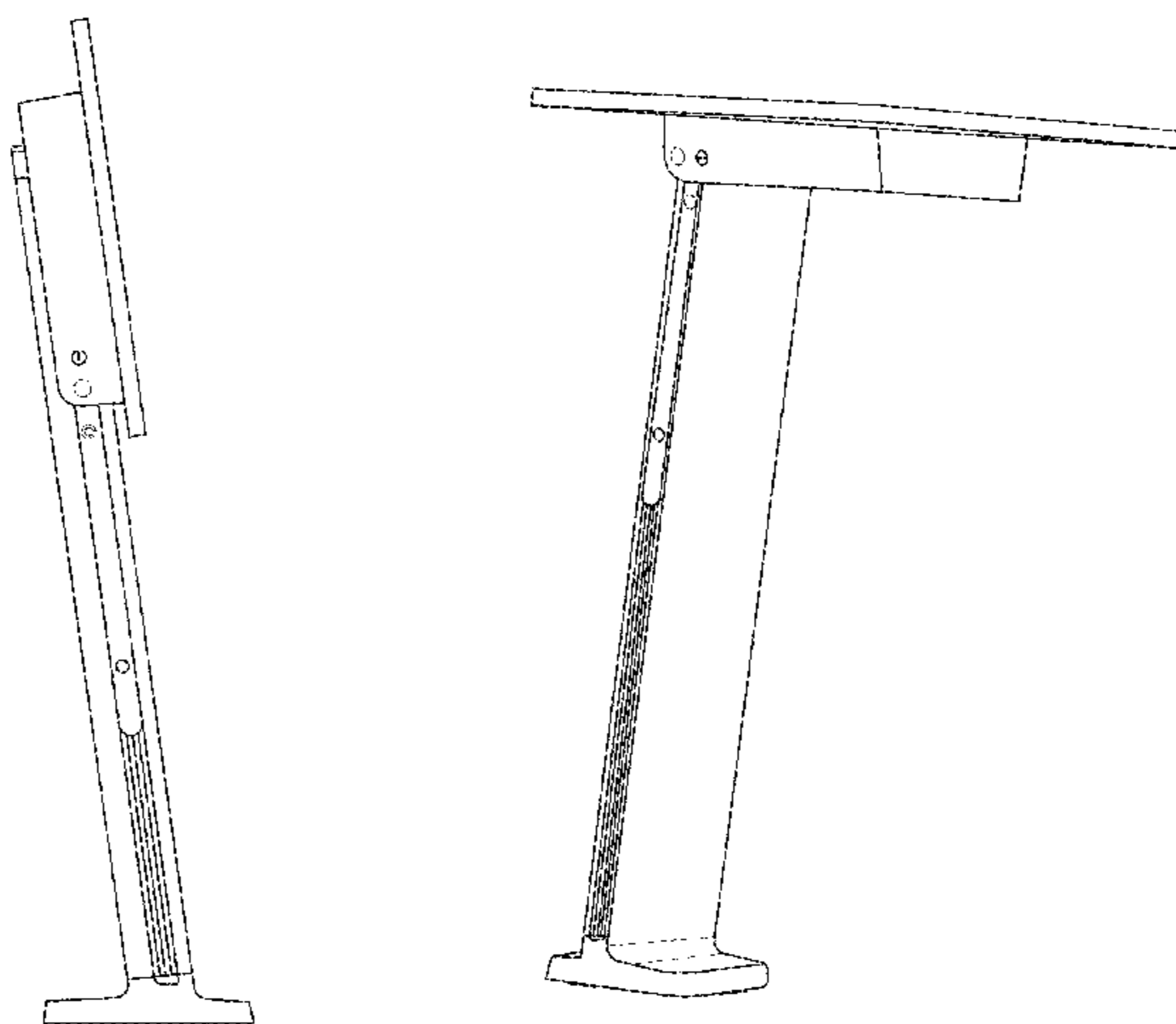
(57) **CLAIM**

I claim the ornamental design for table, as shown and described.

DESCRIPTION

FIG. 1 is a side view of a table;
FIG. 2 is an opposite side view thereof;
FIG. 3 is a back side view thereof;
FIG. 4 is a front view thereof;
FIG. 5 is a front perspective view with the top in an alternate position of use;
FIG. 6 is a top plan view with the back in collapsed position; and,
FIG. 7 is a back perspective view thereof.
The broken line portion of the figure drawings is included to show portions of the article that forms no part of the claimed design.

1 Claim, 7 Drawing Sheets



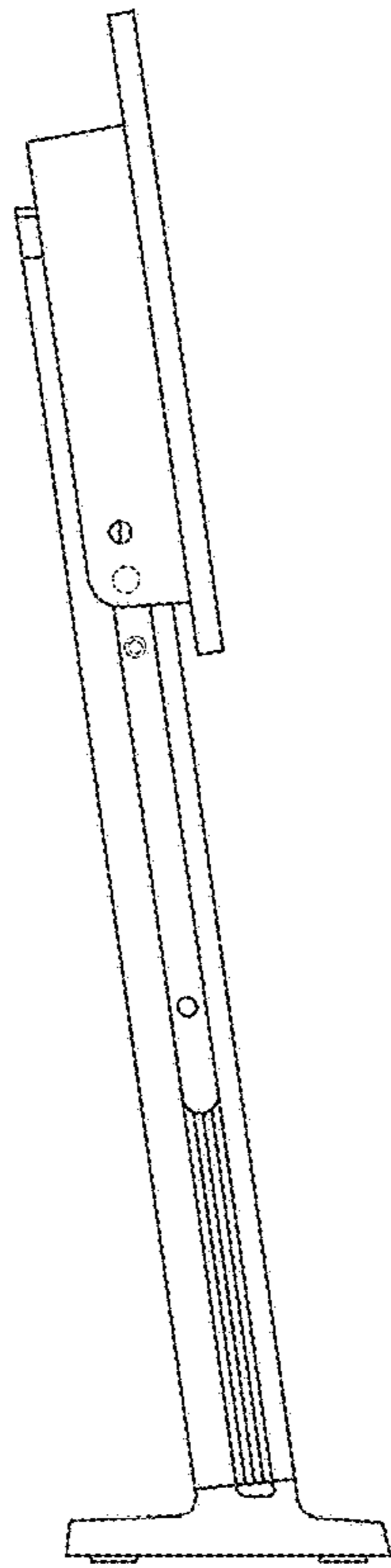


FIG. 1

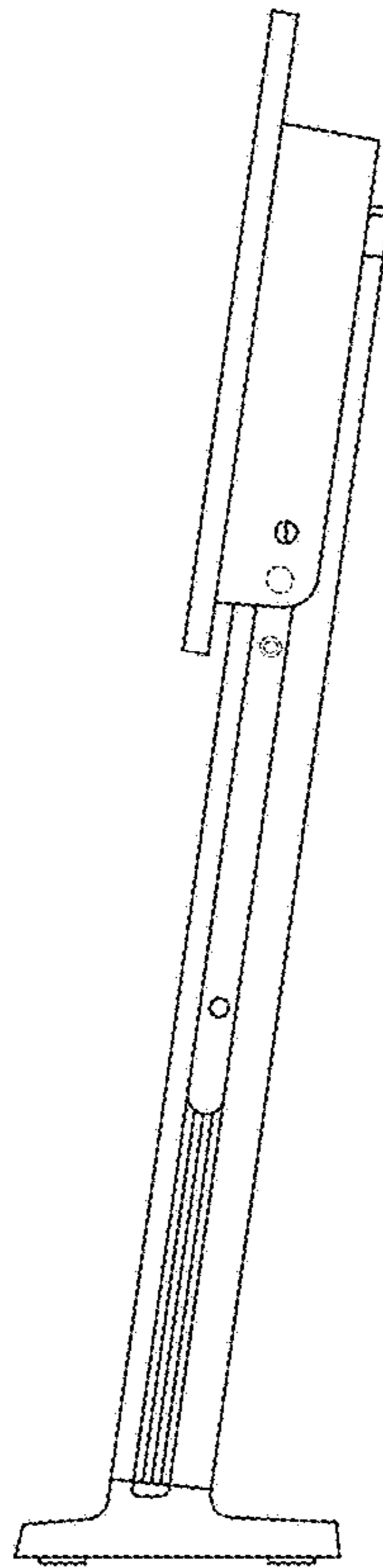


FIG. 2

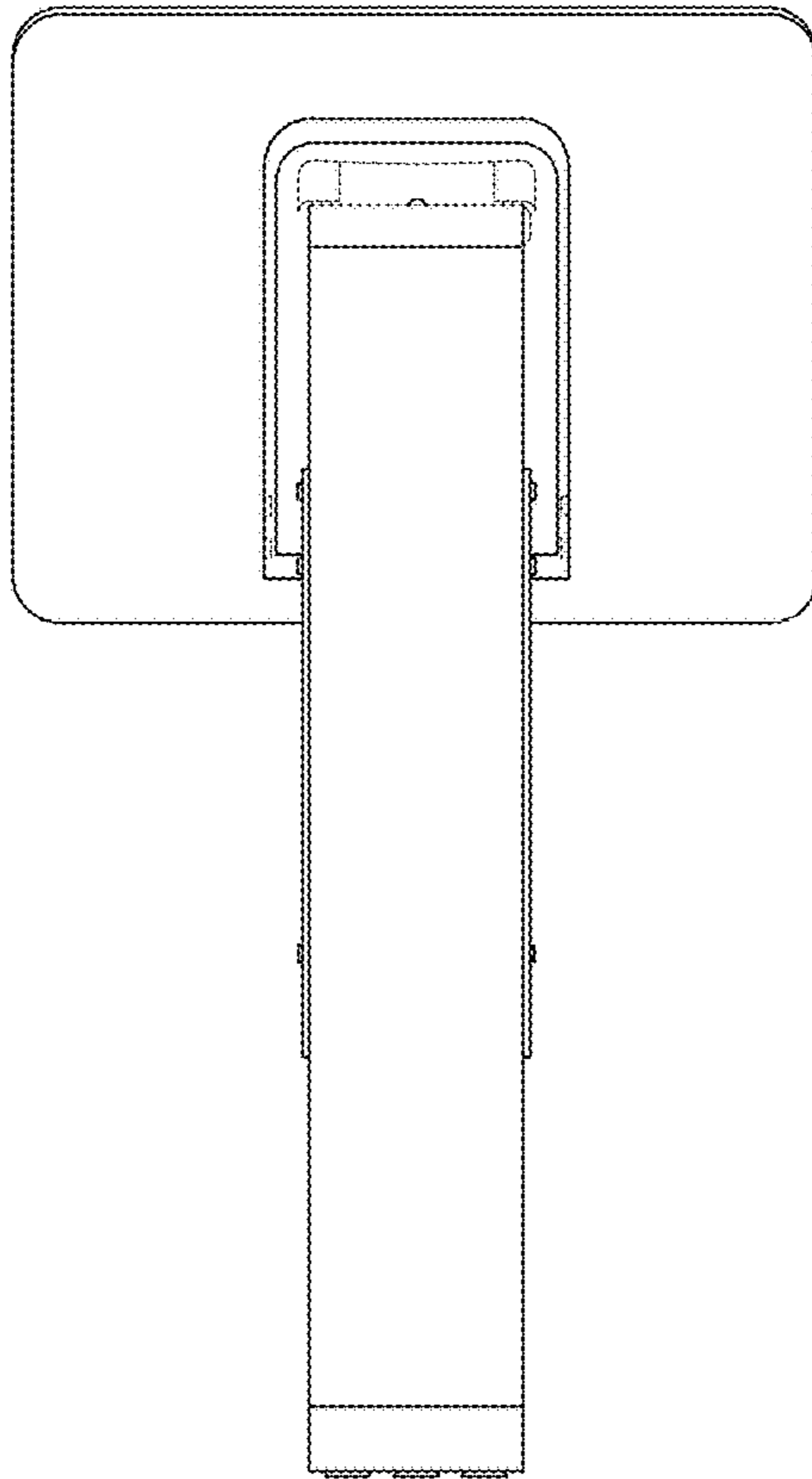


FIG. 3

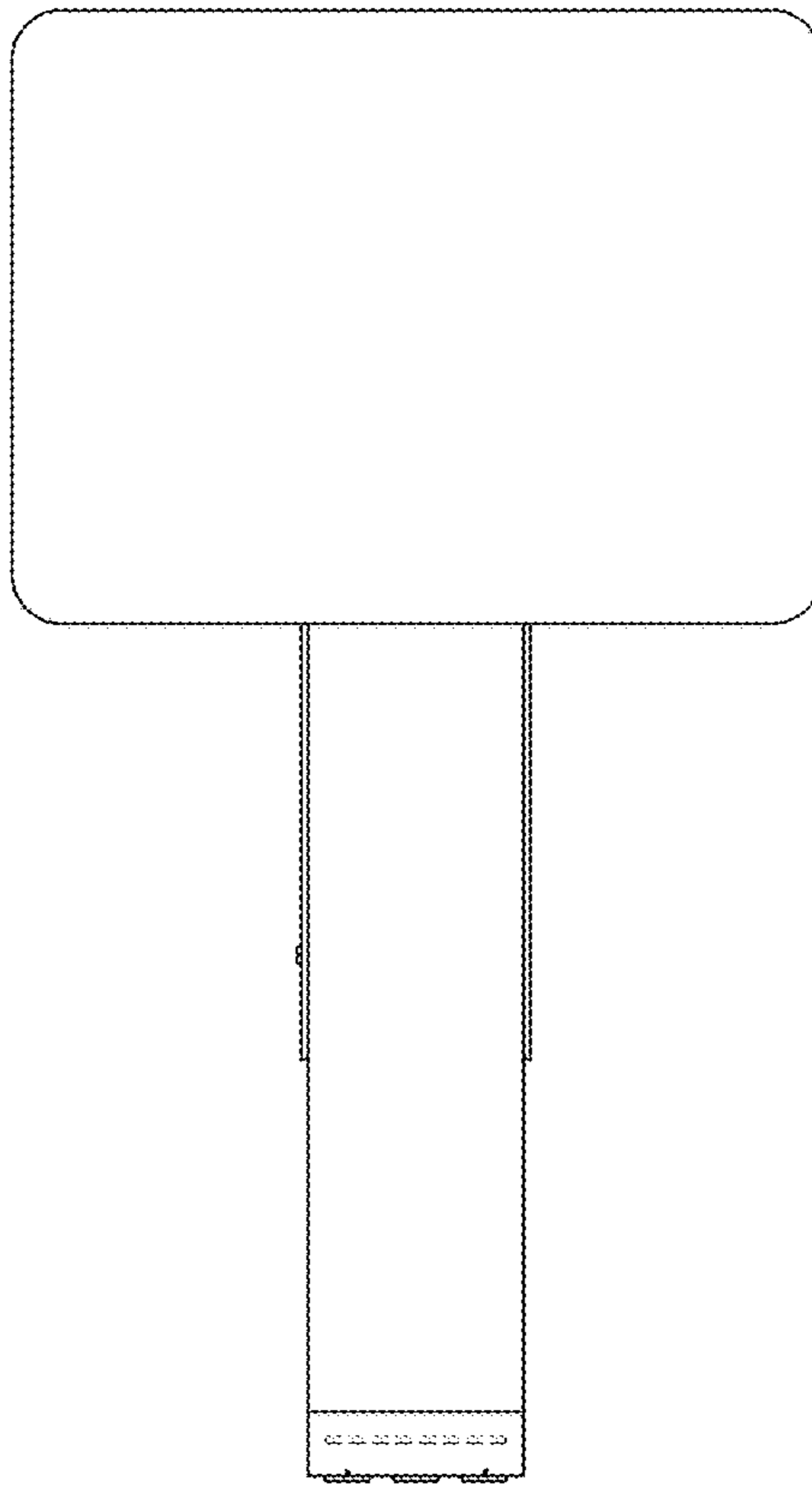


FIG. 4

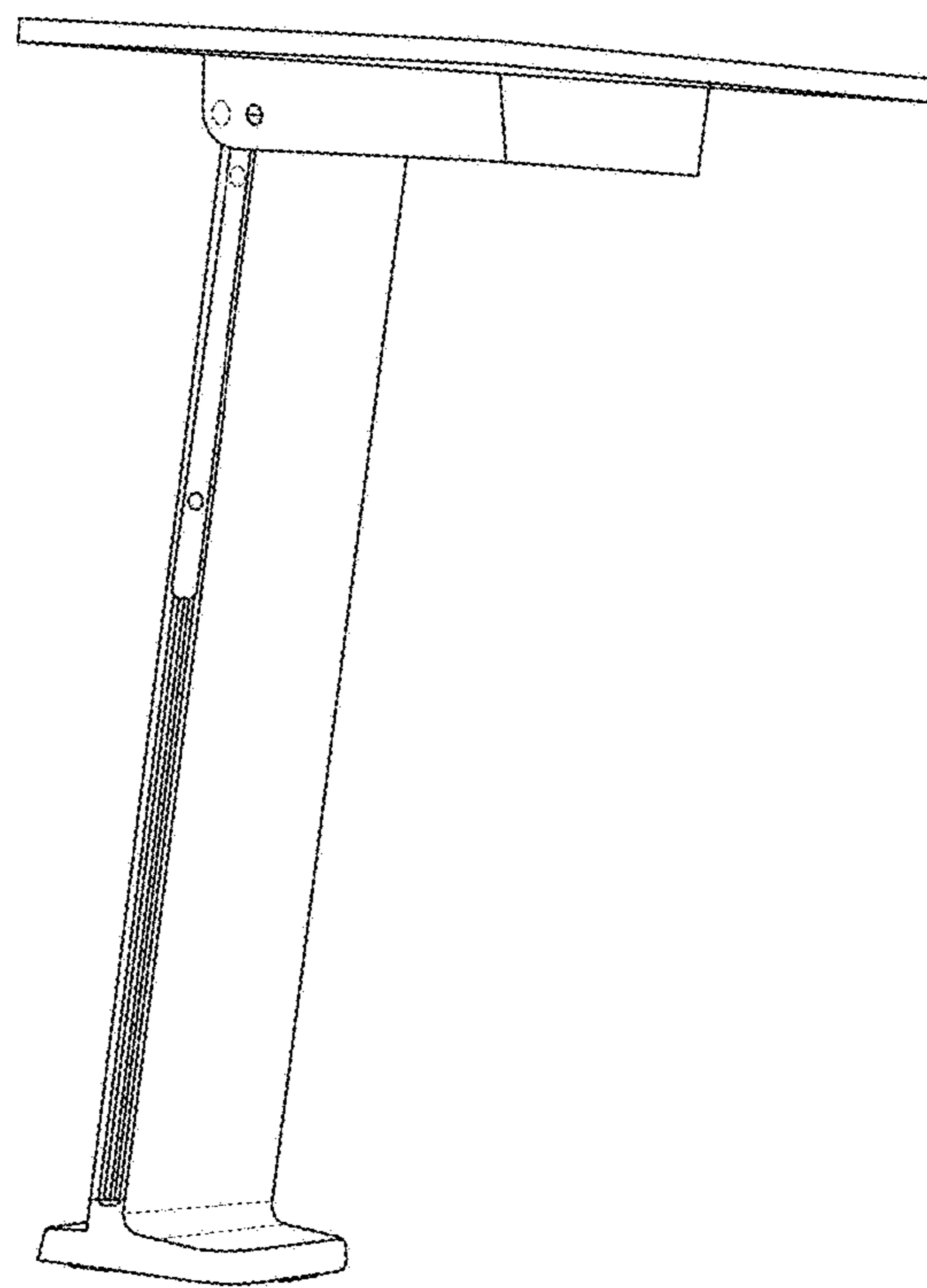


FIG. 5

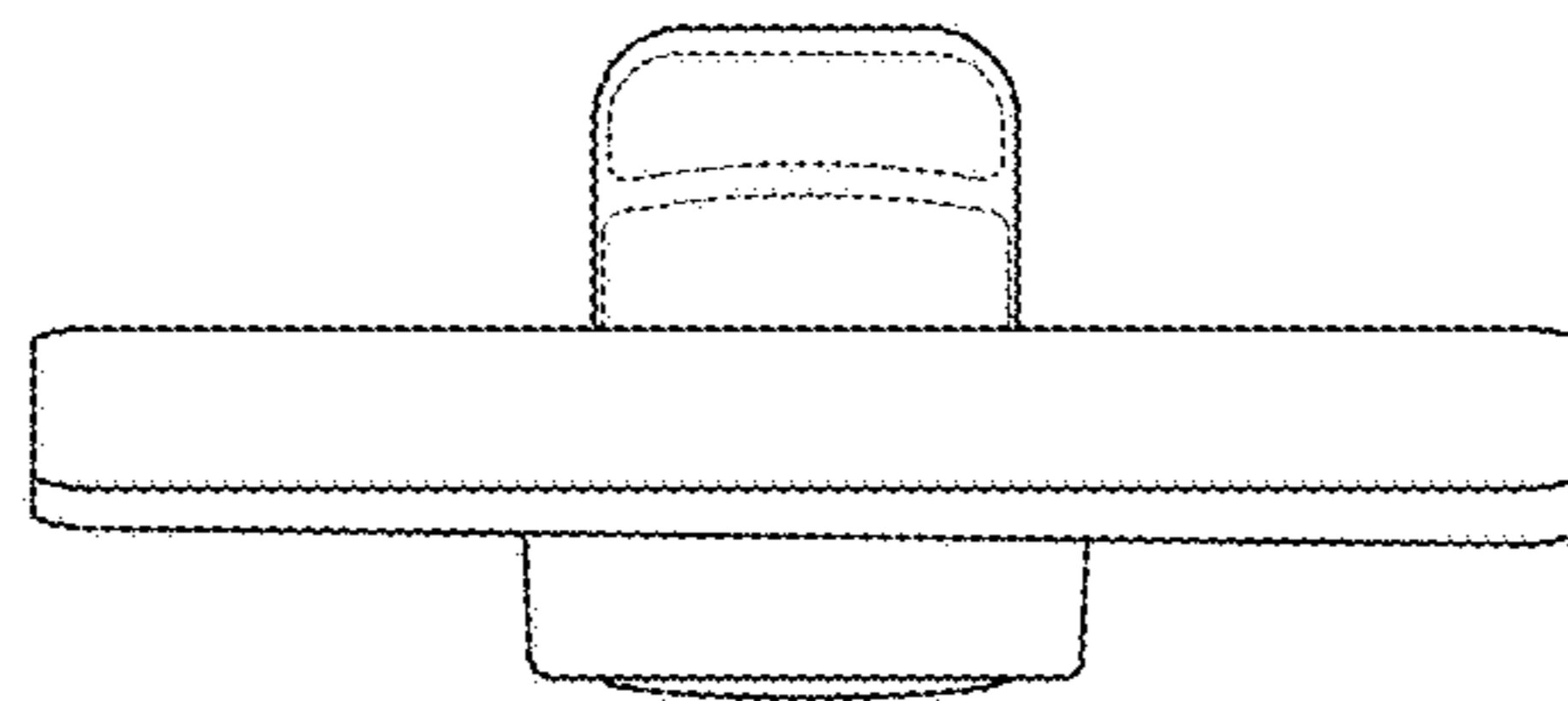


FIG. 6

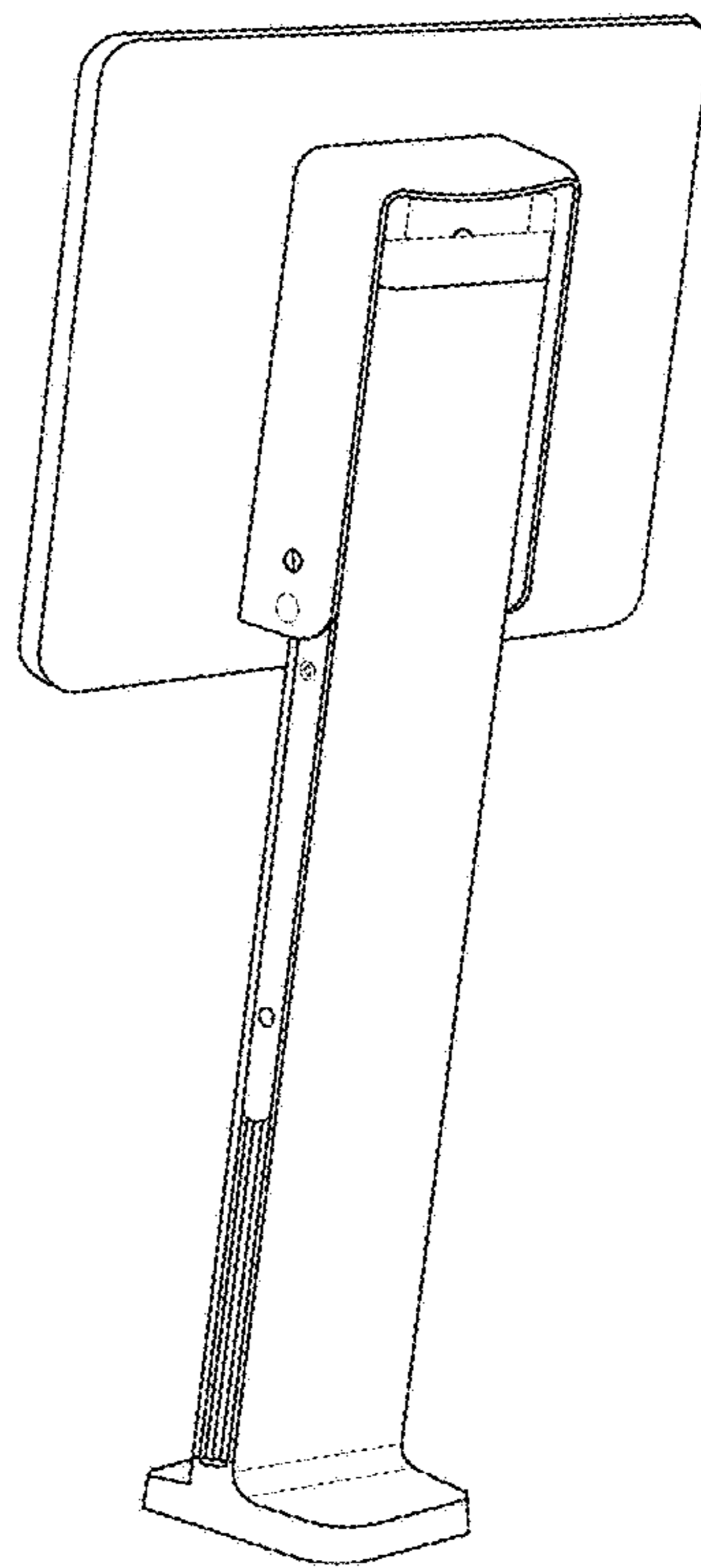


FIG. 7