



US00D843145S

(12) **United States Design Patent**
Gonzalez et al.

(10) **Patent No.:** **US D843,145 S**
(45) **Date of Patent:** **** Mar. 19, 2019**

- (54) **WORK BENCH**
- (71) Applicant: **METALTECH-OMEGA INC.**, Laval (CA)
- (72) Inventors: **Anthony Gonzalez**, Laval (CA);
Jean-Carl Ladouceur, Montreal (CA)
- (73) Assignee: **METALTECH-OMEGA INC.**, Laval (CA)
- (**) Term: **15 Years**
- (21) Appl. No.: **29/628,327**
- (22) Filed: **Dec. 4, 2017**
- (51) **LOC (11) Cl.** **06-03**
- (52) **U.S. Cl.**
USPC **D6/684**
- (58) **Field of Classification Search**
USPC D6/655, 656, 657, 672, 675, 675.2,
D6/675.5, 681, 681.1, 681.2, 681.3, 684,
D6/691; D25/62, 66, 67
CPC A47B 3/002; A47B 3/087; A47B 3/0912;
A47B 13/081; A47B 13/088; A47B
13/16; B25H 1/02; B25H 1/04; B25H
1/06; B25H 1/08; B25H 1/10; B25H
1/12; B25H 1/14
See application file for complete search history.

D371,445 S *	7/1996	Schulz	D25/67
D461,330 S *	8/2002	Wang	D6/349
6,827,181 B2 *	12/2004	Austin	E04G 1/32 182/150
8,381,873 B2 *	2/2013	Cross	E06C 1/39 182/119
9,357,842 B2 *	6/2016	Gu	A47B 85/06
D776,826 S *	1/2017	Foley	E04G 1/34 D25/66
D781,083 S *	3/2017	Zhu	D6/684
9,682,470 B2 *	6/2017	Helm	B25H 1/14
9,987,723 B2 *	6/2018	Chuang	B24B 41/068
10,035,255 B2 *	7/2018	Cindric	B25H 1/04

* cited by examiner

Primary Examiner — John Windmuller
Assistant Examiner — Steven J Czyz
(74) *Attorney, Agent, or Firm* — Benoit & Cote, Inc.; C. Marc Benoit

(57) **CLAIM**

The ornamental design for a work bench, as shown and described.

DESCRIPTION

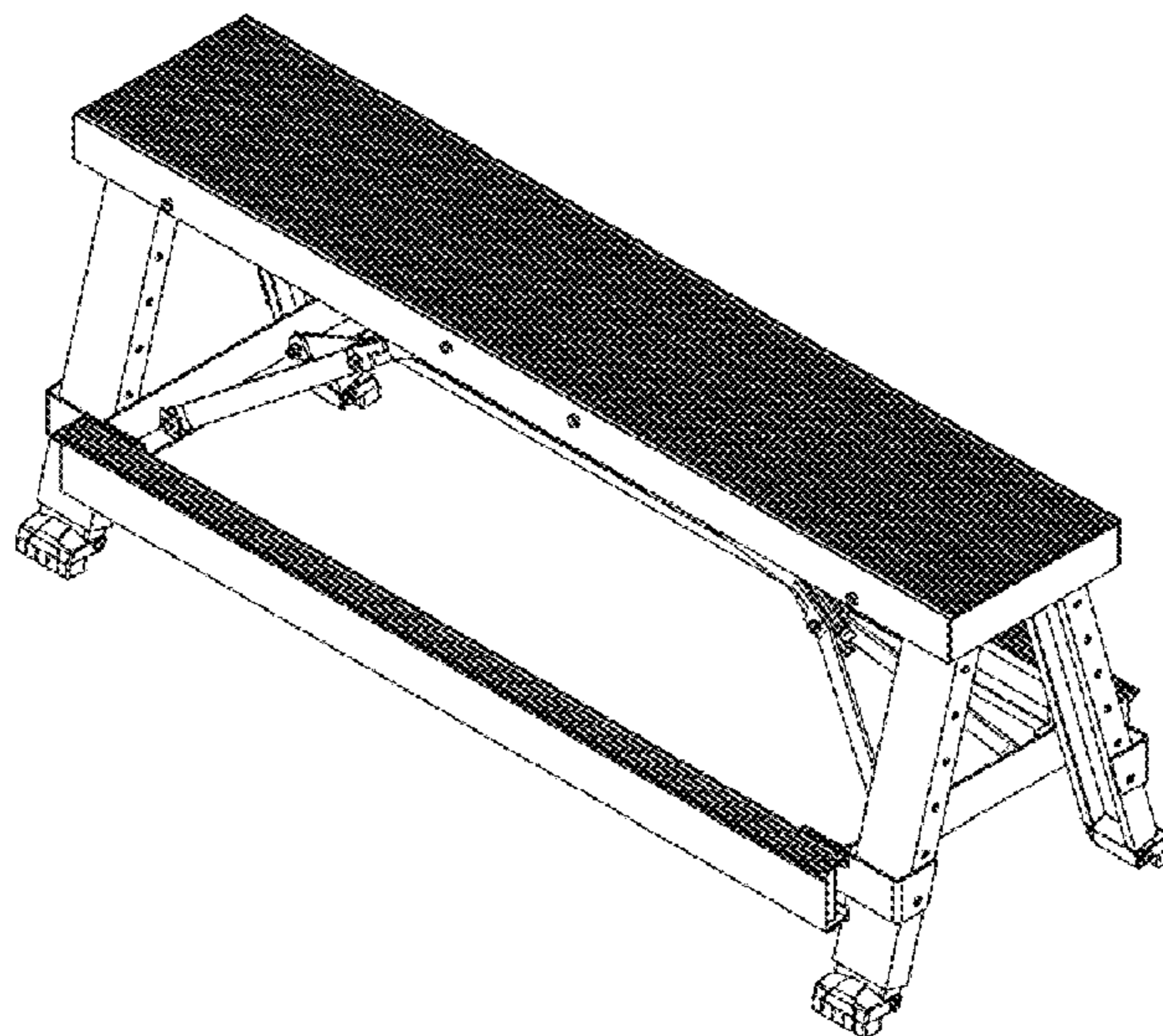
FIG. 1 is a perspective view of a work bench;
FIG. 2 is a front elevation view of the work bench of FIG. 1;
FIG. 3 is a right side elevation view of the work bench of FIG. 1;
FIG. 4 is a rear elevation view of the work bench of FIG. 1;
FIG. 5 is a left side elevation view of the work bench of FIG. 1;
FIG. 6 is a top plan view of the work bench of FIG. 1; and,
FIG. 7 is a bottom plan view of the work bench of FIG. 1.
The portions shown in broken lines are for illustrative purposes only and form no part of the design.

1 Claim, 7 Drawing Sheets

(56) **References Cited**

U.S. PATENT DOCUMENTS

1,960,181 A *	5/1934	Dreier	A47B 3/0915 108/132
4,231,557 A *	11/1980	Blachly	B25H 1/04 269/139
4,265,435 A *	5/1981	Stiltz	B25H 1/14 269/139
4,617,869 A *	10/1986	Denomey	A47B 3/08 108/121



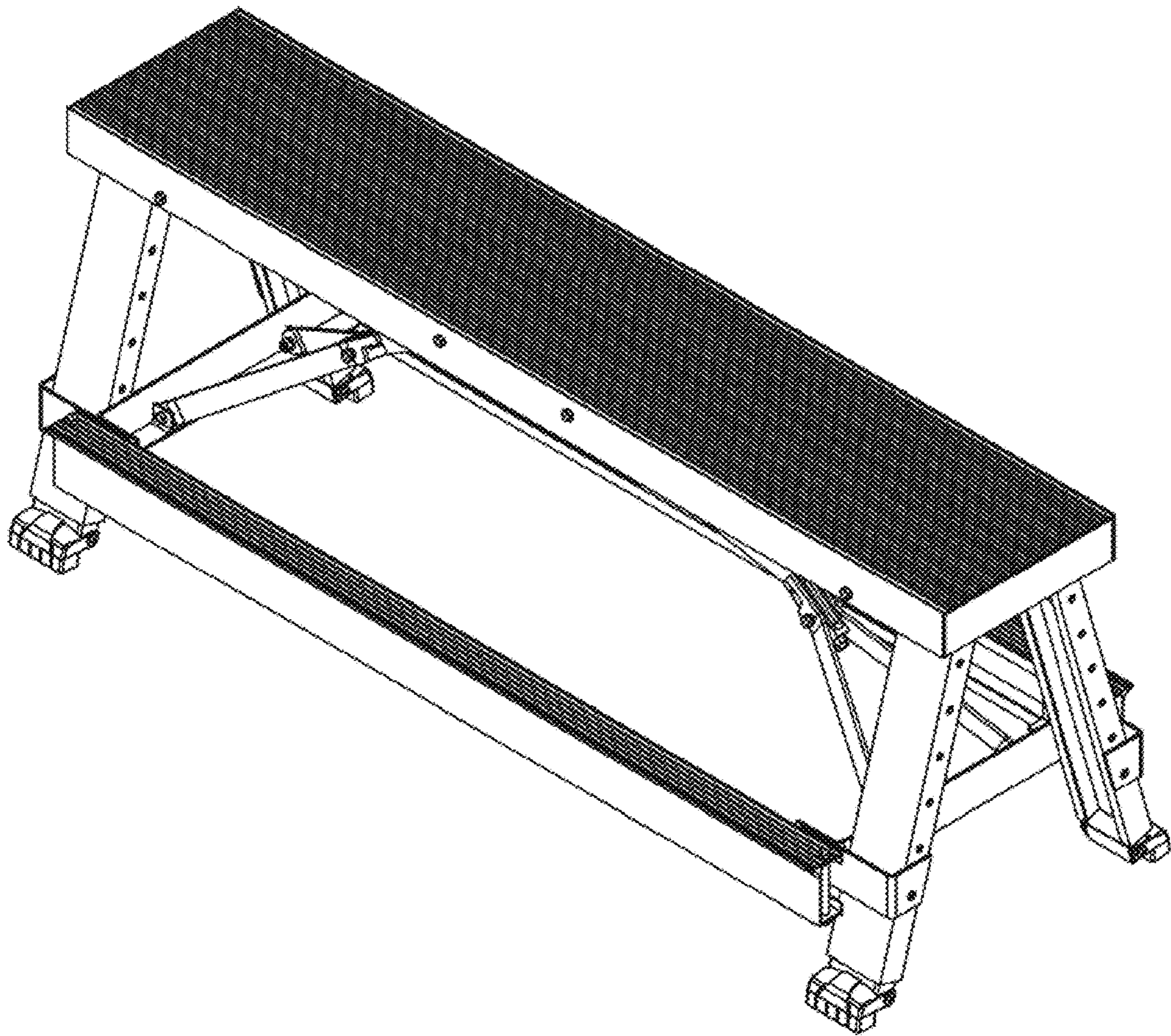


FIGURE 1

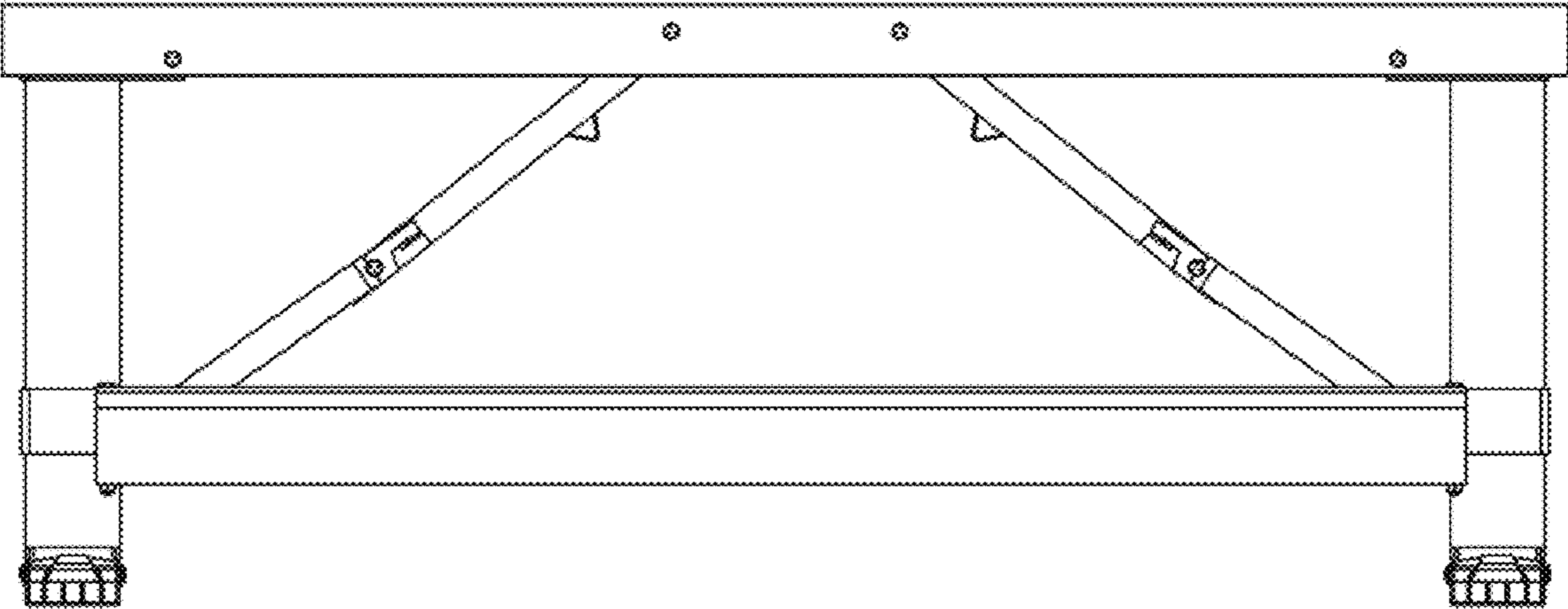


FIGURE 2

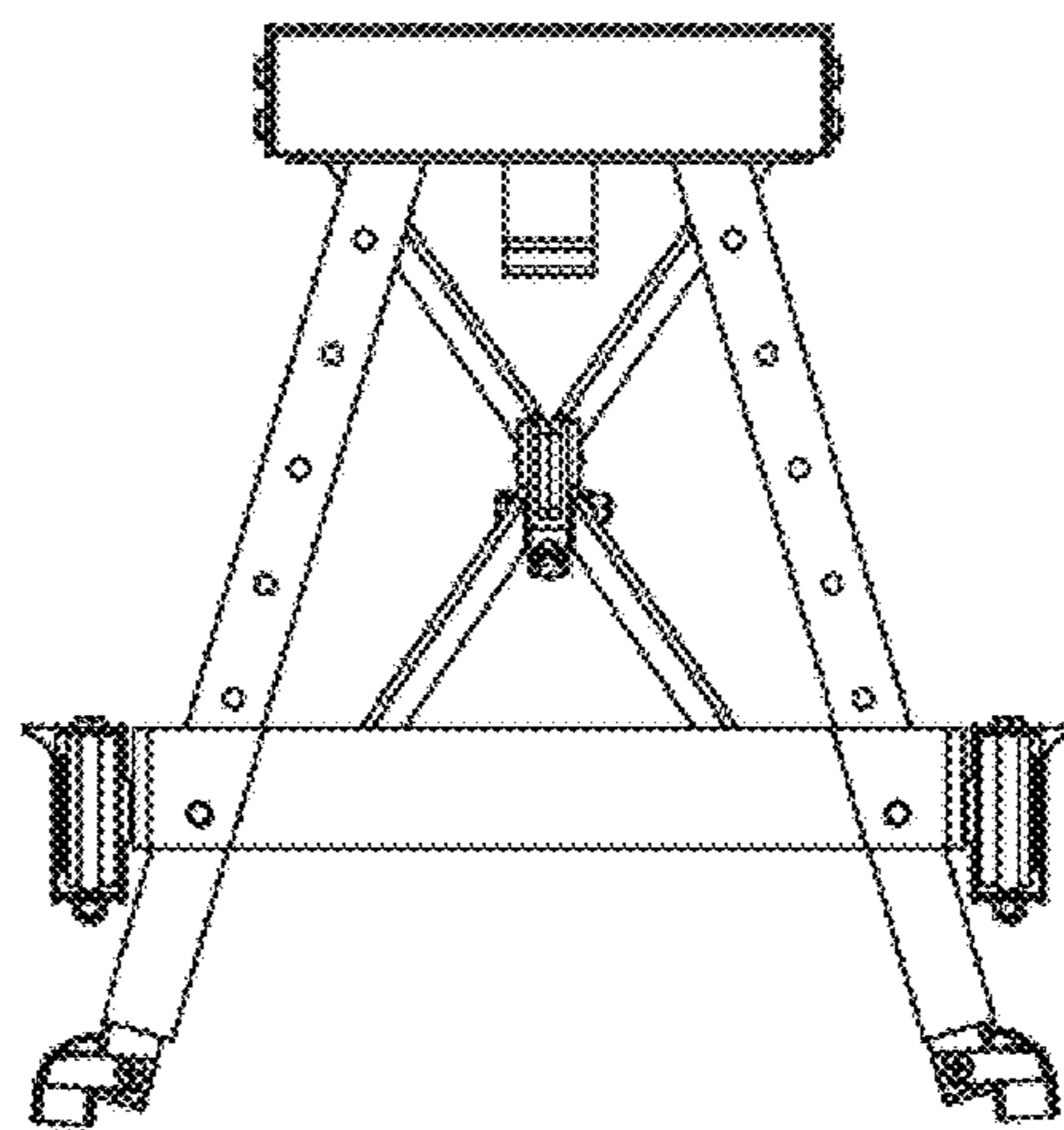


FIGURE 3

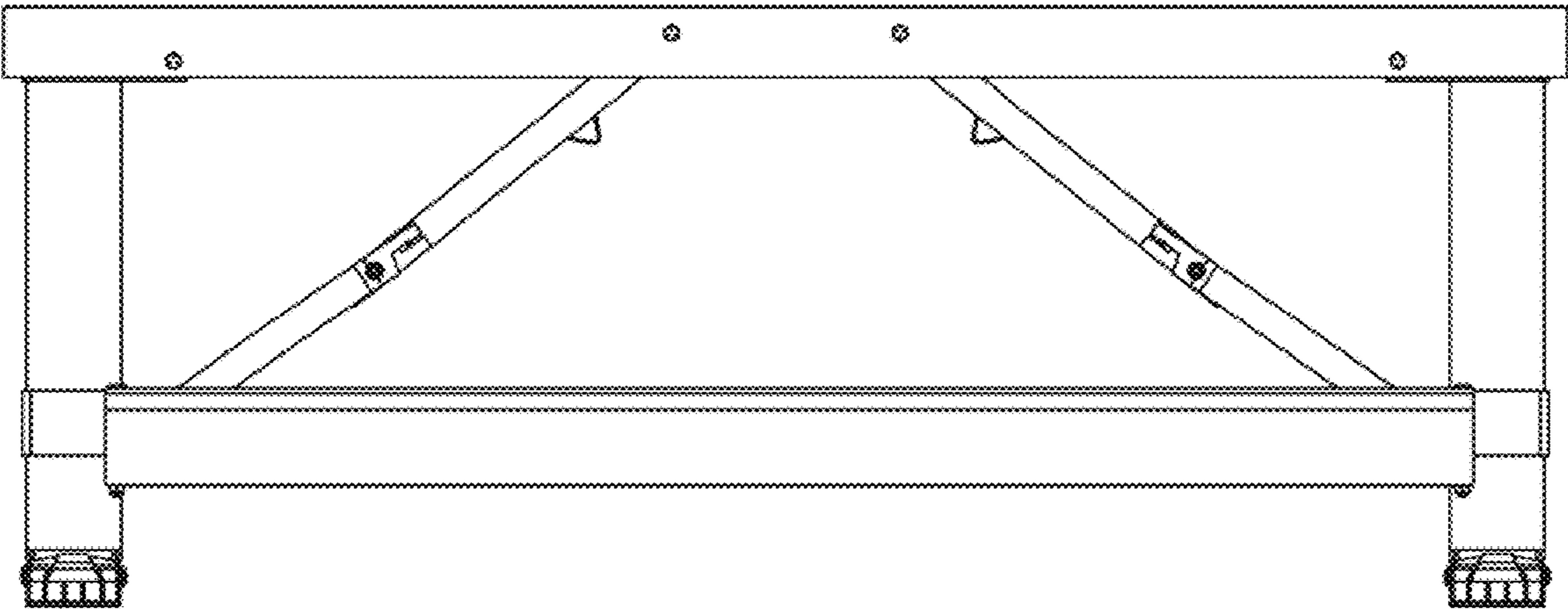


FIGURE 4

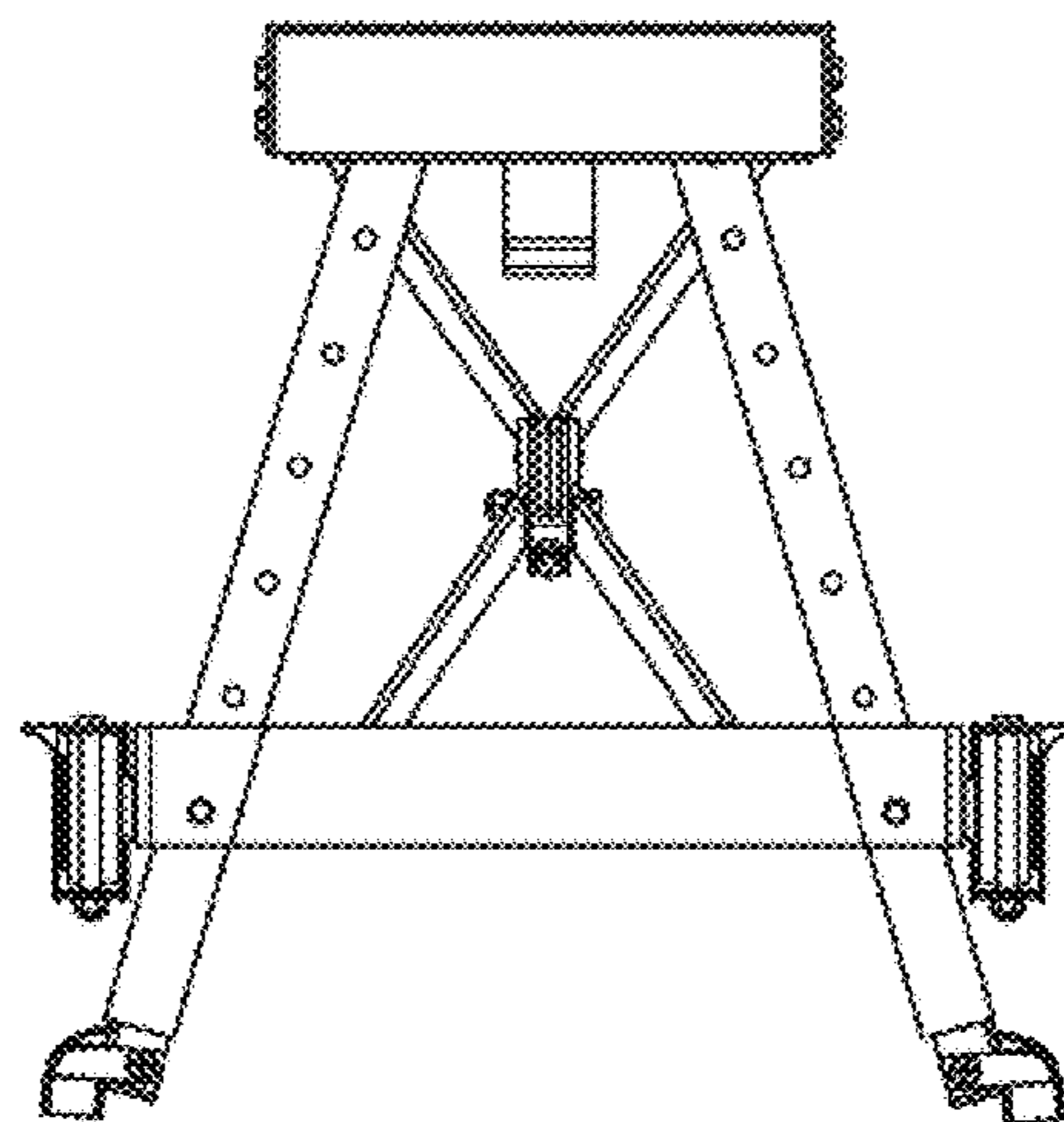


FIGURE 5

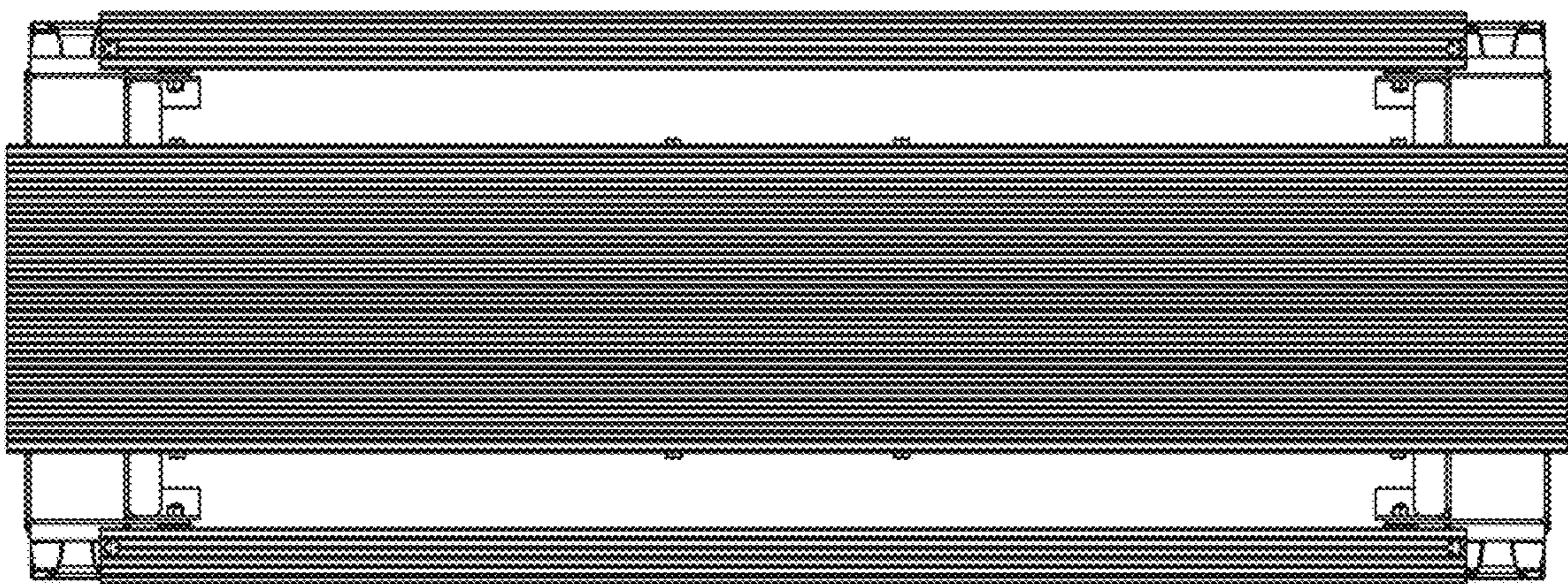


FIGURE 6

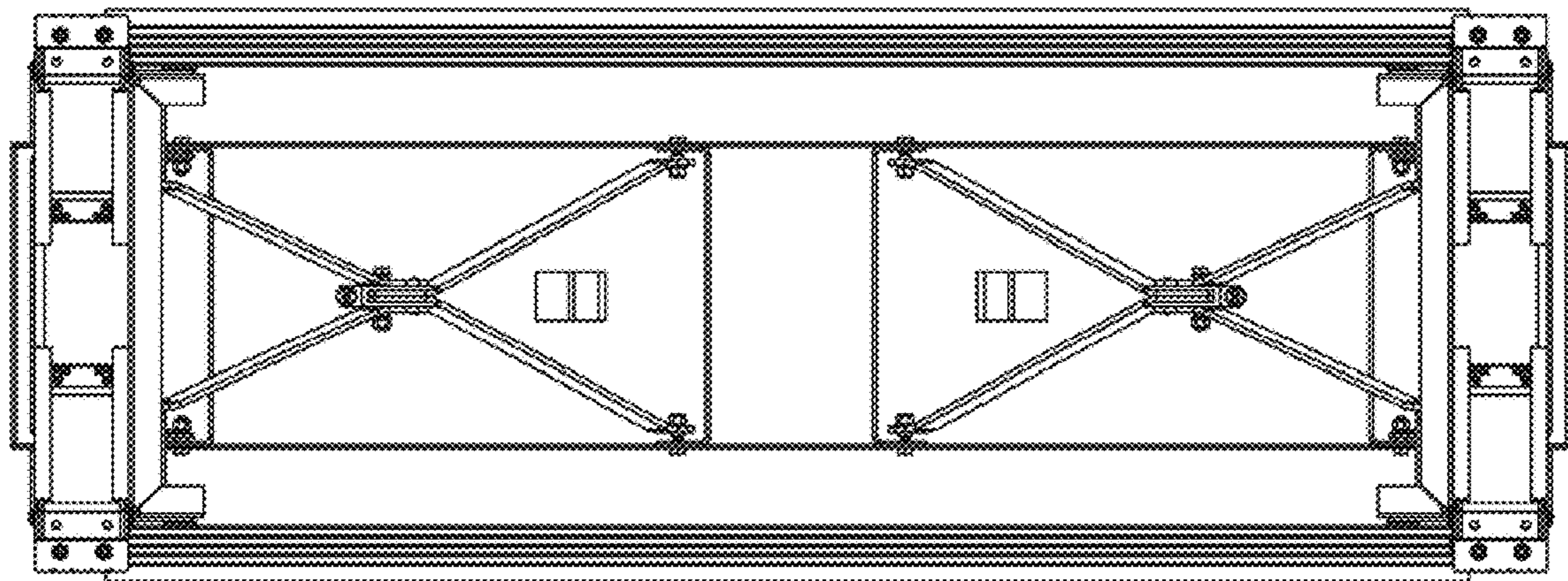


FIGURE 7