

US00D843143S

(12) **United States Design Patent**  
**Patterson**

(10) **Patent No.:** **US D843,143 S**  
(45) **Date of Patent:** **\*\* Mar. 19, 2019**

(54) **DISPLAY STAND**

(71) Applicant: **Mhari L. Patterson**, Atlanta, GA (US)

(72) Inventor: **Mhari L. Patterson**, Atlanta, GA (US)

(\*\*) Term: **15 Years**

(21) Appl. No.: **29/566,999**

(22) Filed: **Jun. 3, 2016**

(51) **LOC (11) Cl.** ..... **20-02**

(52) **U.S. Cl.**  
USPC ..... **D6/682.2**

(58) **Field of Classification Search**  
USPC ..... D6/682-682.4; D24/222, 223, 224, 227,  
D24/228, 229, 230; D30/106; D9/432  
See application file for complete search history.

(56) **References Cited**

U.S. PATENT DOCUMENTS

1,296,158	A	3/1919	Bonham	
1,812,311	A *	6/1931	Wolf	B65D 5/106 206/446
1,966,734	A	7/1934	Rosen	
2,623,682	A *	12/1952	Candell	B65D 5/5038 206/419
2,637,299	A	5/1953	Salkey	
3,840,171	A	10/1974	Waters	
3,965,599	A	6/1976	Ebner	
D245,118	S	7/1977	Heaton	
D271,239	S	11/1983	Lemieux et al.	
4,503,972	A *	3/1985	Nelligan	B25H 3/003 206/369
D338,403	S *	8/1993	Hildebrand	D9/432
D353,476	S *	12/1994	Davis	D30/106
5,396,999	A	3/1995	Sandheinrich	
5,622,264	A	4/1997	Wetterlund	
D538,538	S	3/2007	Espinosa	
7,299,922	B2	11/2007	Ceballos	
D586,152	S	2/2009	Maki	

D616,258	S	5/2010	Miros et al.	
D624,661	S *	9/2010	Himmelsbach	D24/230
D637,422	S	5/2011	Theisen et al.	
D653,767	S *	2/2012	Lovshe	D24/230
D654,186	S *	2/2012	Park	D24/227
8,328,034	B2	12/2012	Miros et al.	
D673,795	S	1/2013	Murrah	
D699,370	S *	2/2014	Motadel	D24/229
D699,859	S *	2/2014	Motadel	D24/227
D709,718	S *	7/2014	Snyder	D6/682.4
D733,315	S *	6/2015	Lui	D24/227
9,139,359	B1	9/2015	Simpson et al.	

(Continued)

*Primary Examiner* — Garth Rademaker

*Assistant Examiner* — Melvin L Davis

(74) *Attorney, Agent, or Firm* — Womble Bond Dickinson (US) LLP

(57) **CLAIM**

The ornamental design for a display stand, as shown and described.

**DESCRIPTION**

FIG. 1 is a topside perspective view of a display stand showing my new design.

FIG. 2 is a bottom side perspective view thereof.

FIG. 3 is another bottom side perspective view thereof with the pedestal shown separated from the tray.

FIG. 4 is a front elevation view thereof.

FIG. 5 is a back elevation view thereof.

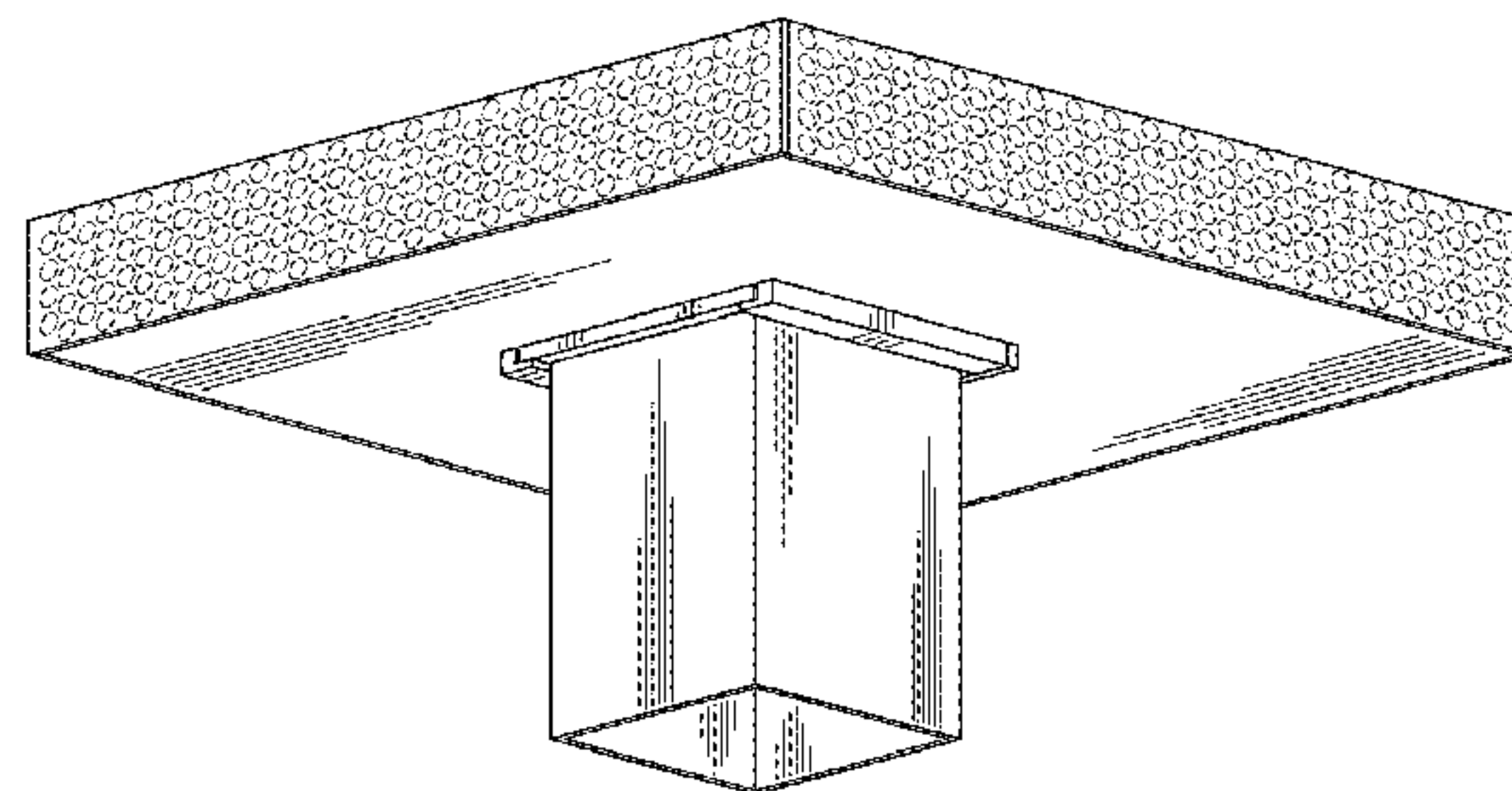
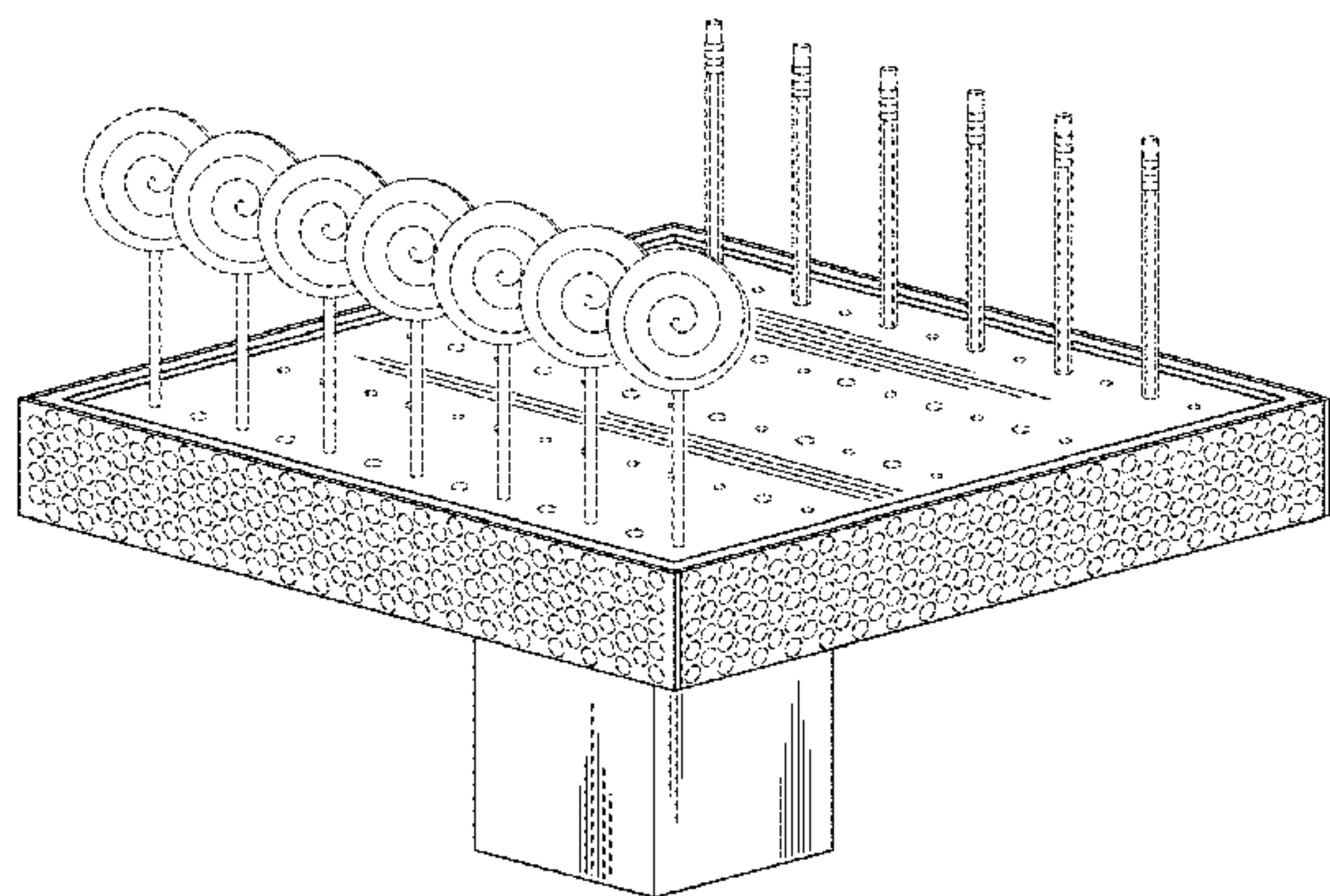
FIG. 6 is left side view thereof, with the right side view being a mirror image.

FIG. 7 is a top plan view thereof; and,

FIG. 8 is a bottom plan view thereof.

The broken lines showing candy and pencils in FIG. 1 illustrate environment. All other broken lines illustrate portions of the display stand. None of the broken lines form any part of the claimed design.

**1 Claim, 3 Drawing Sheets**



(56)

**References Cited**

U.S. PATENT DOCUMENTS

10,034,806 B1 \* 7/2018 Greenhalgh, Sr. .... A61G 7/05  
2005/0284011 A1 12/2005 Todd  
2009/0272703 A1 11/2009 Conway  
2011/0192064 A1 8/2011 Bowman

\* cited by examiner

FIG. 1

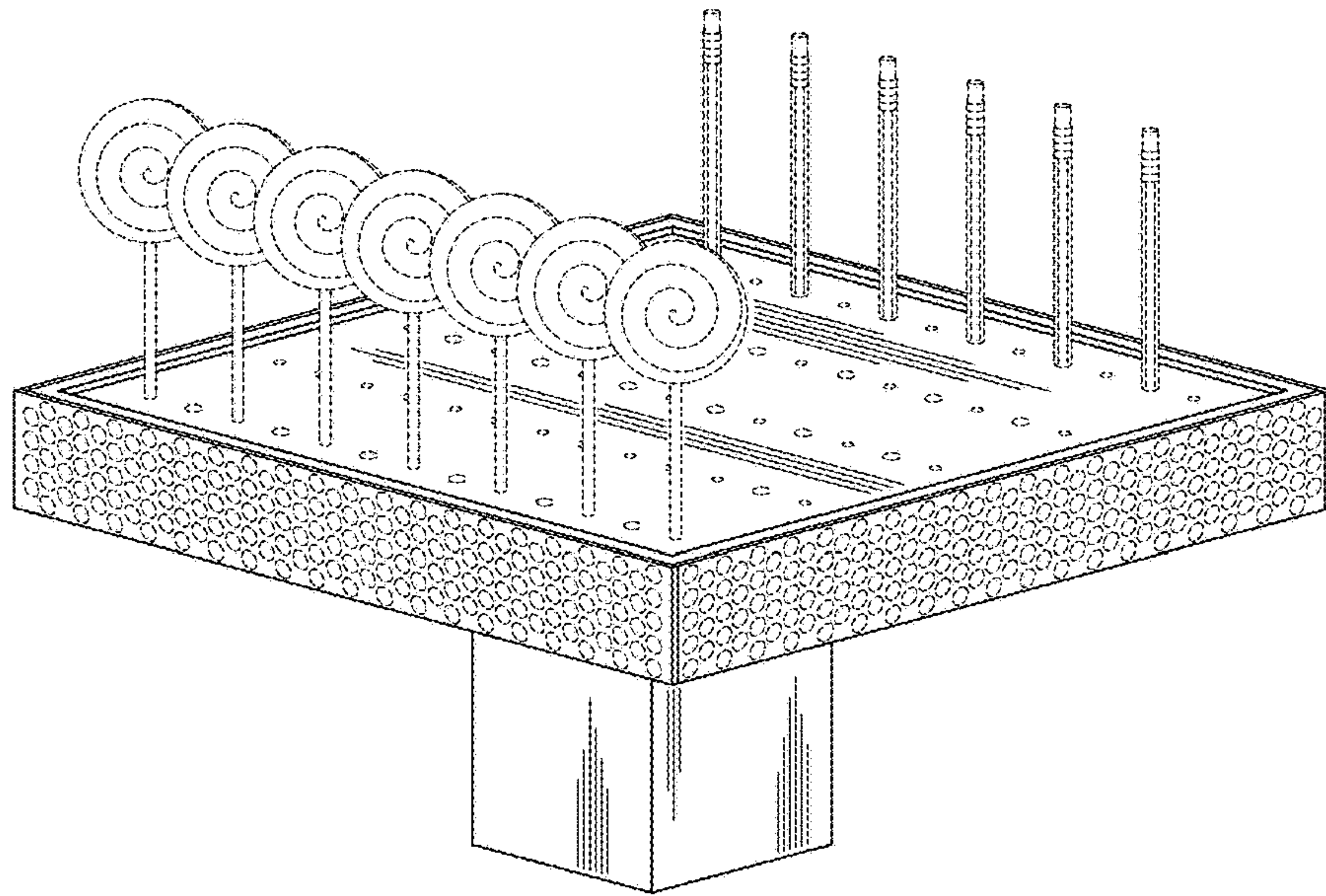
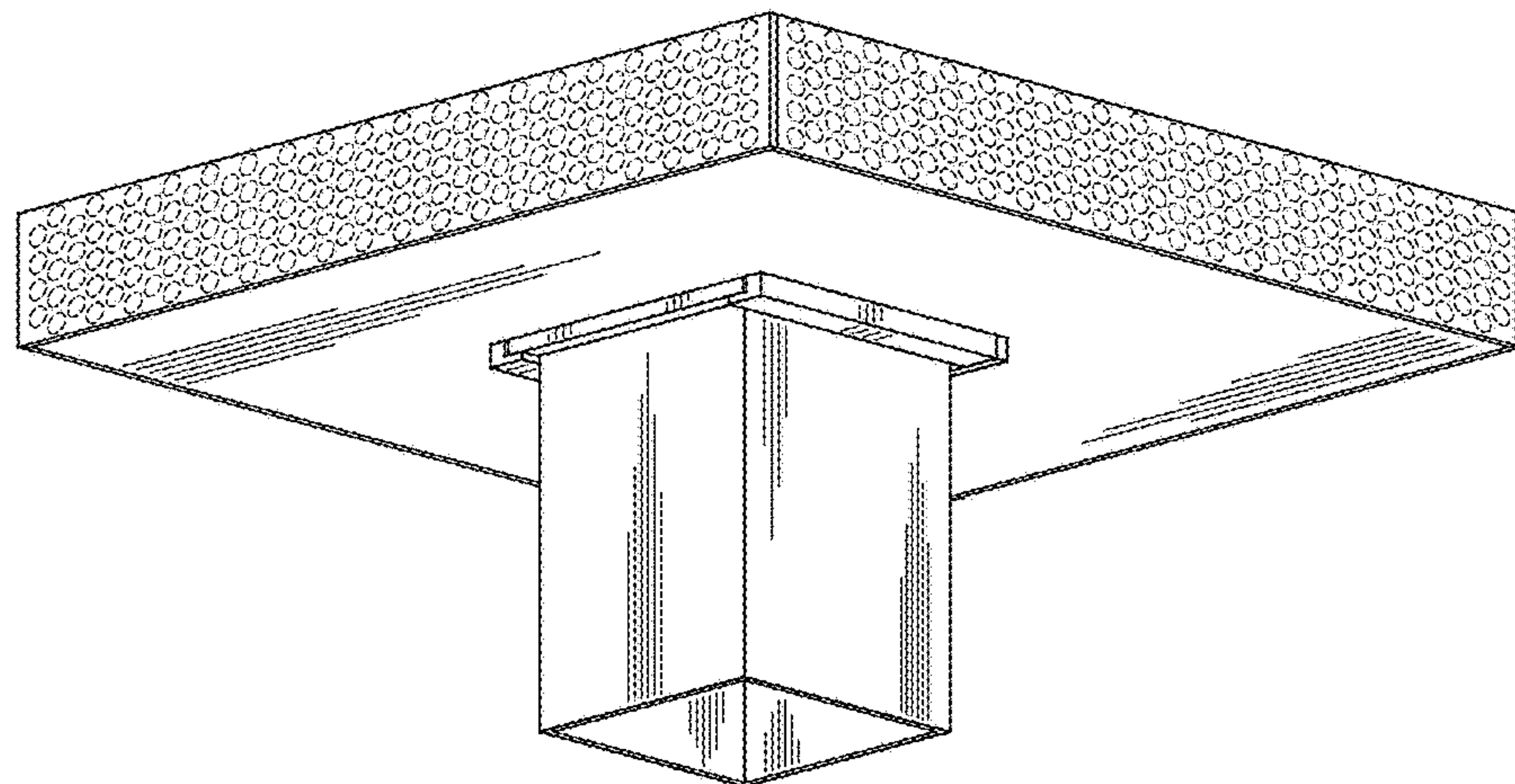


FIG. 2





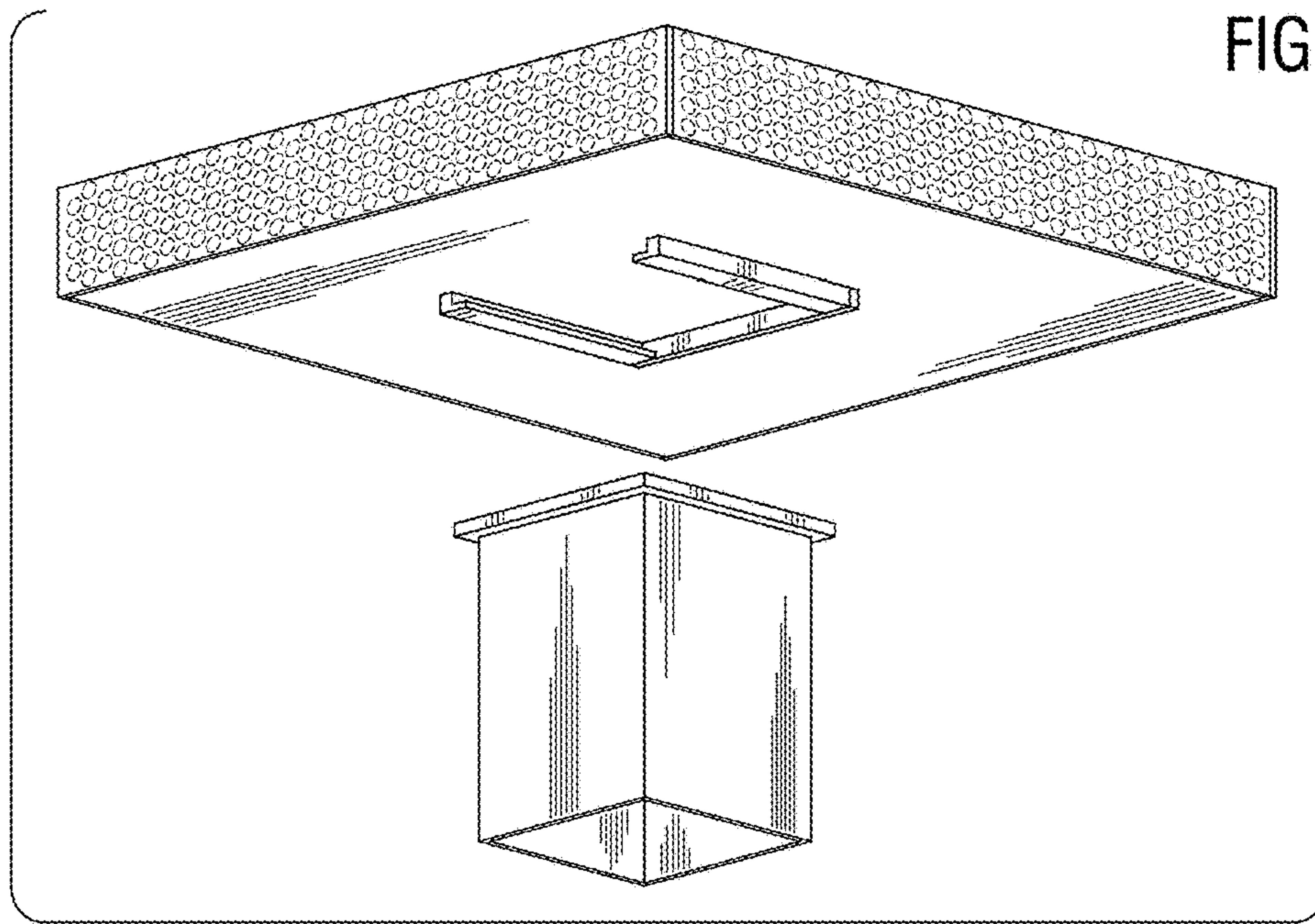


FIG. 4

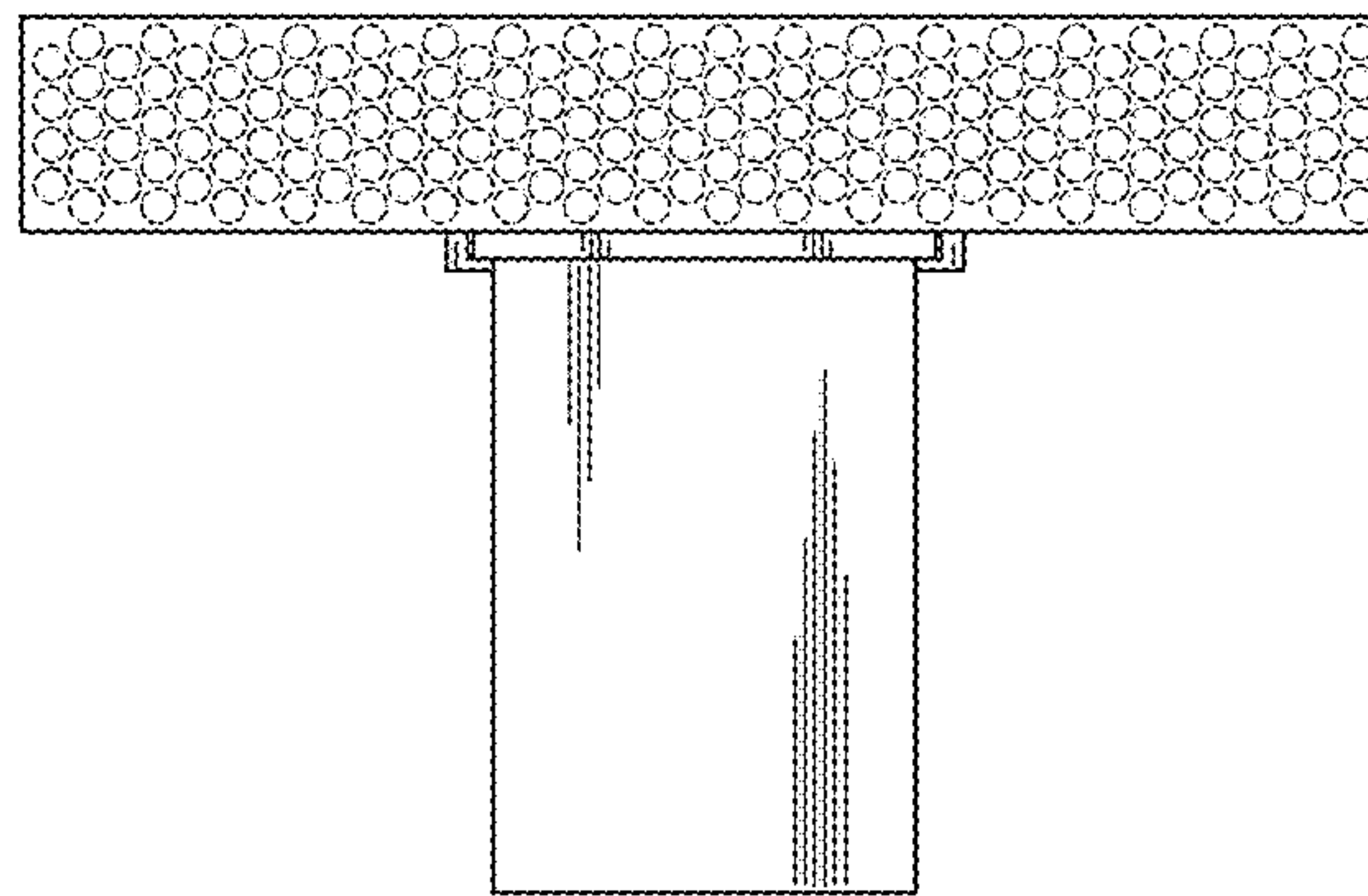
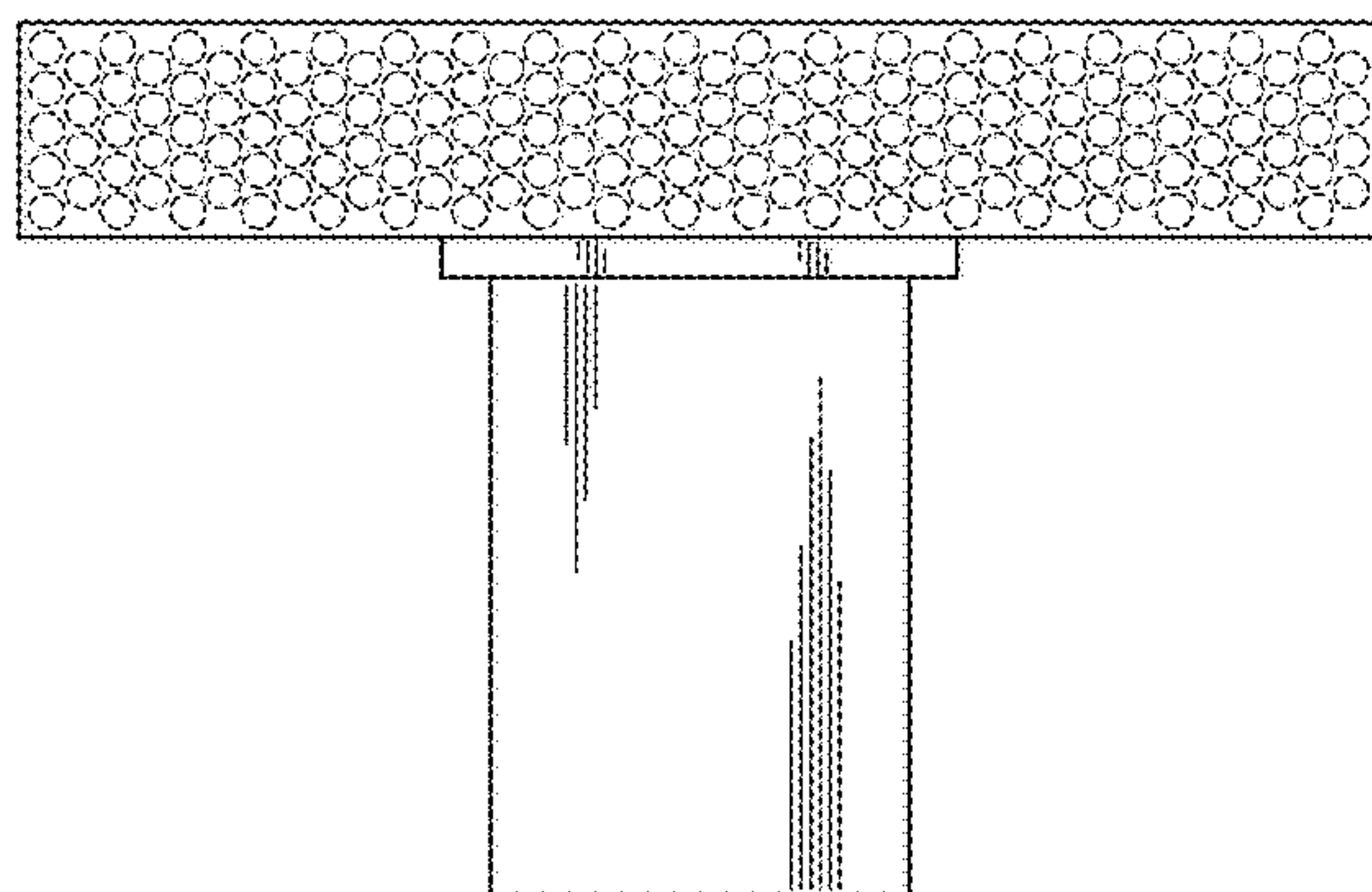


FIG. 5



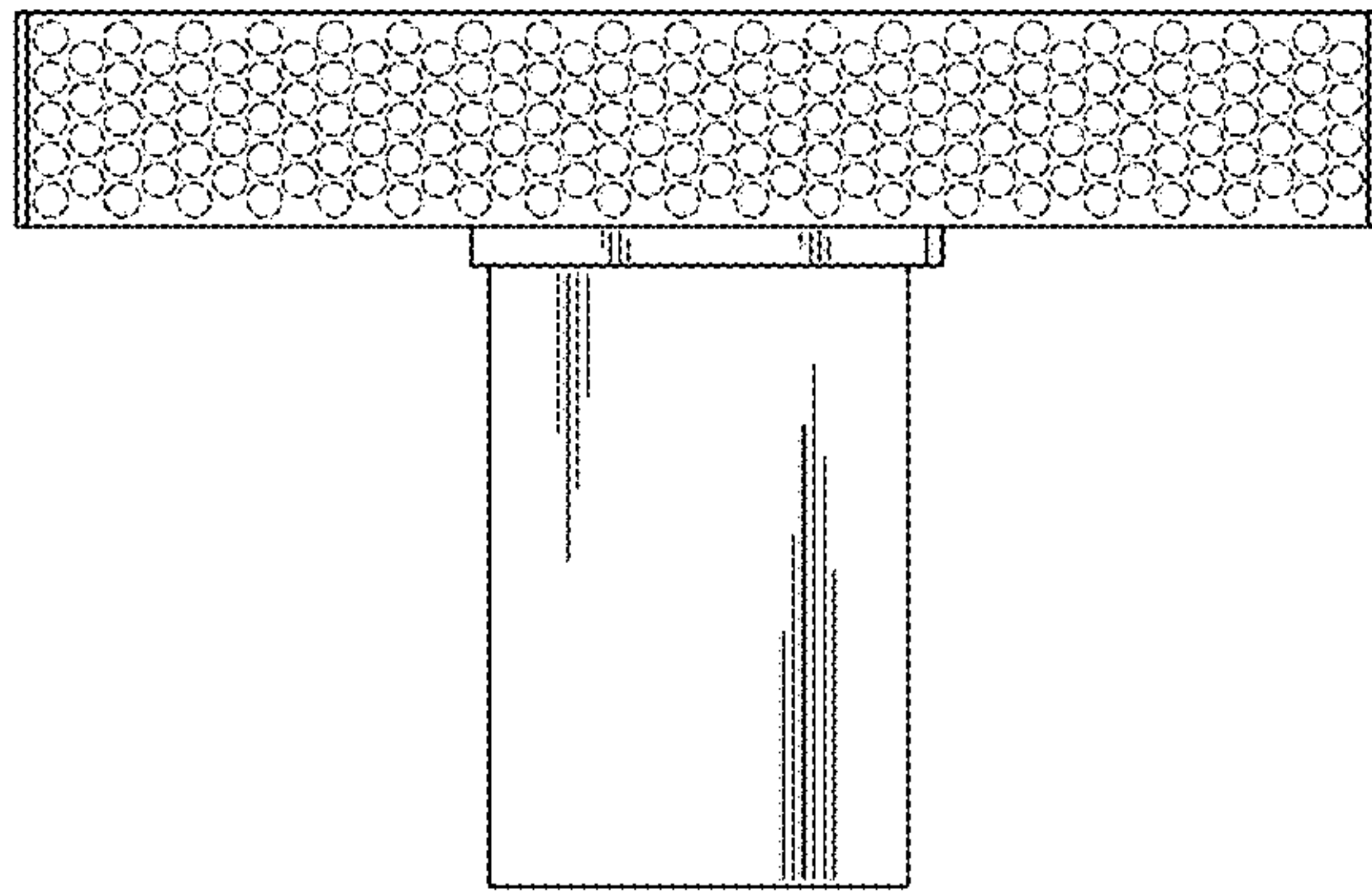


FIG. 6

FIG. 7

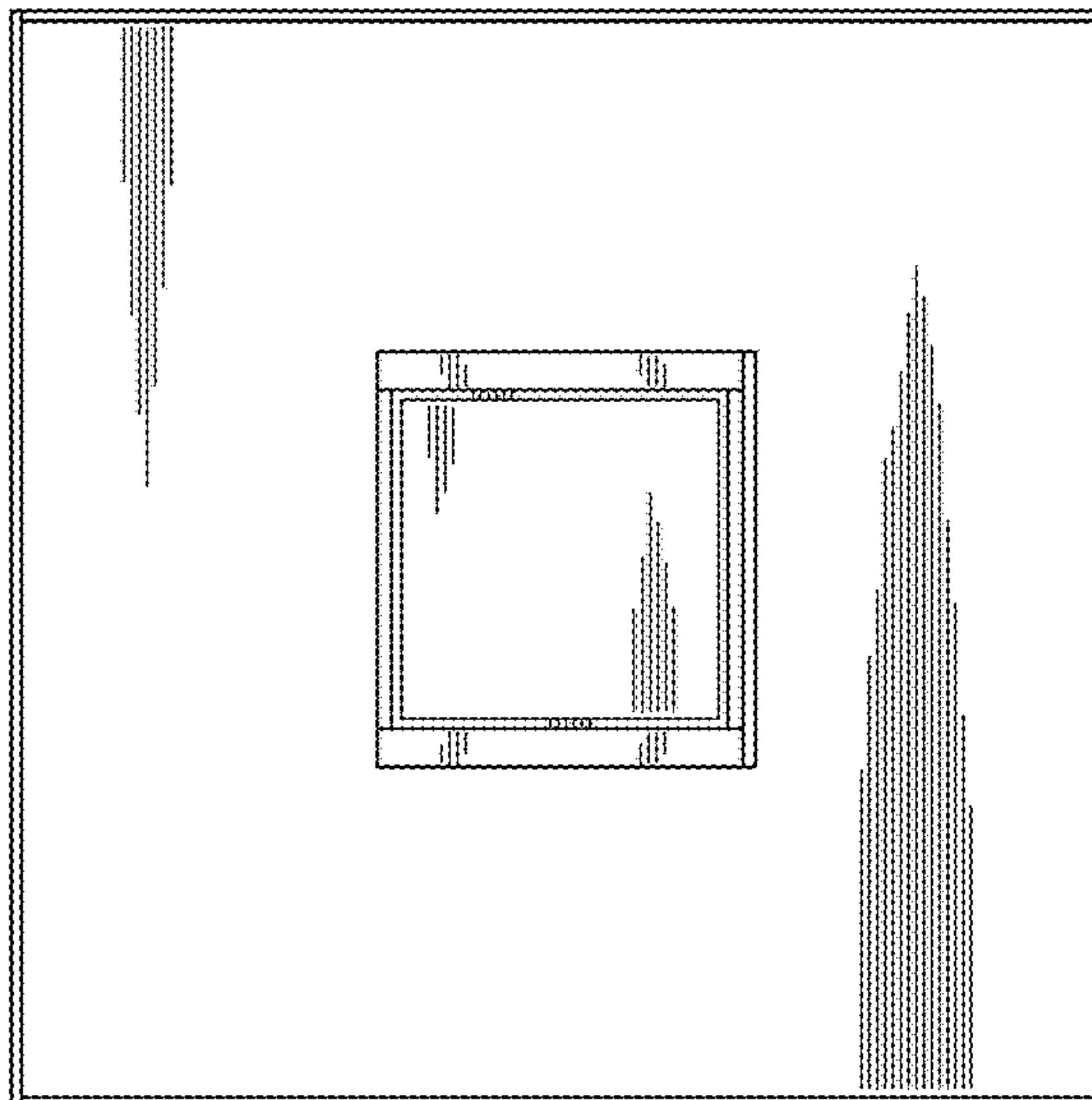
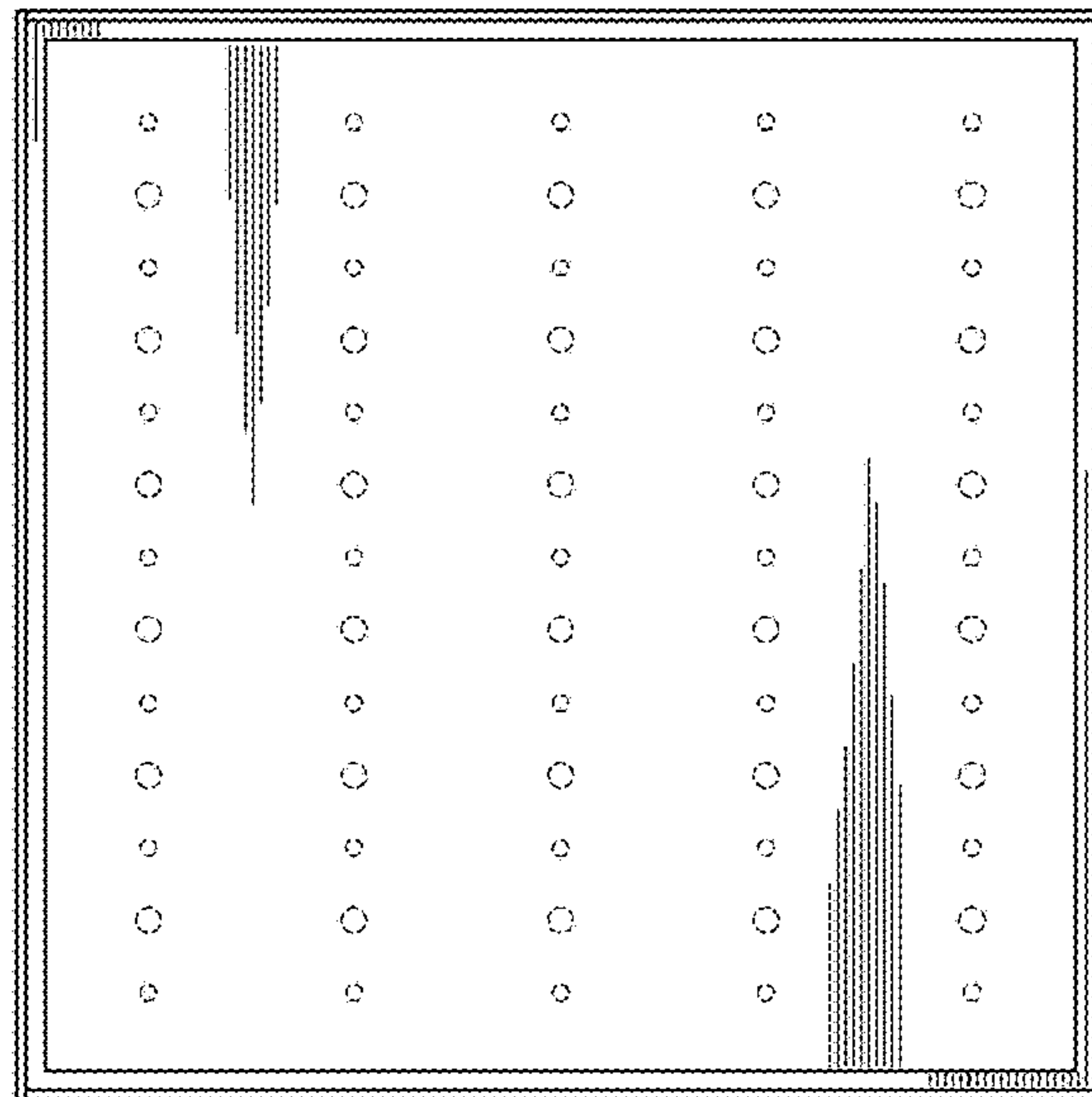


FIG. 8