



US00D843142S

(12) **United States Design Patent**
Krombein

(10) **Patent No.:** **US D843,142 S**

(45) **Date of Patent:** **** Mar. 19, 2019**

- (54) **POLE HOLDER ASSEMBLY**
- (71) Applicant: **Todd Krombein**, Phoenix, AZ (US)
- (72) Inventor: **Todd Krombein**, Phoenix, AZ (US)
- (**) Term: **15 Years**
- (21) Appl. No.: **29/595,312**
- (22) Filed: **Feb. 27, 2017**
- (51) **LOC (11) Cl.** **06-06**
- (52) **U.S. Cl.**
USPC **D6/677**
- (58) **Field of Classification Search**
USPC D6/672, 673, 677, 681, 681.1, 682,
D6/682.1; D11/130.1; D22/147
CPC A47G 29/00; A01K 97/10; A45F 2200/05;
A45F 2200/0566
See application file for complete search history.

D776,235 S * 1/2017 Bush, II D22/147
D793,779 S * 8/2017 Van Landingham, Jr.
D6/682.1
2006/0198692 A1* 9/2006 Petit A45D 33/025
401/266

* cited by examiner

Primary Examiner — Kelley A Donnelly

(74) *Attorney, Agent, or Firm* — Knobbe, Martens, Olson & Bear, LLP

(57) **CLAIM**

The ornamental design for a pole holder assembly, as shown and described.

DESCRIPTION

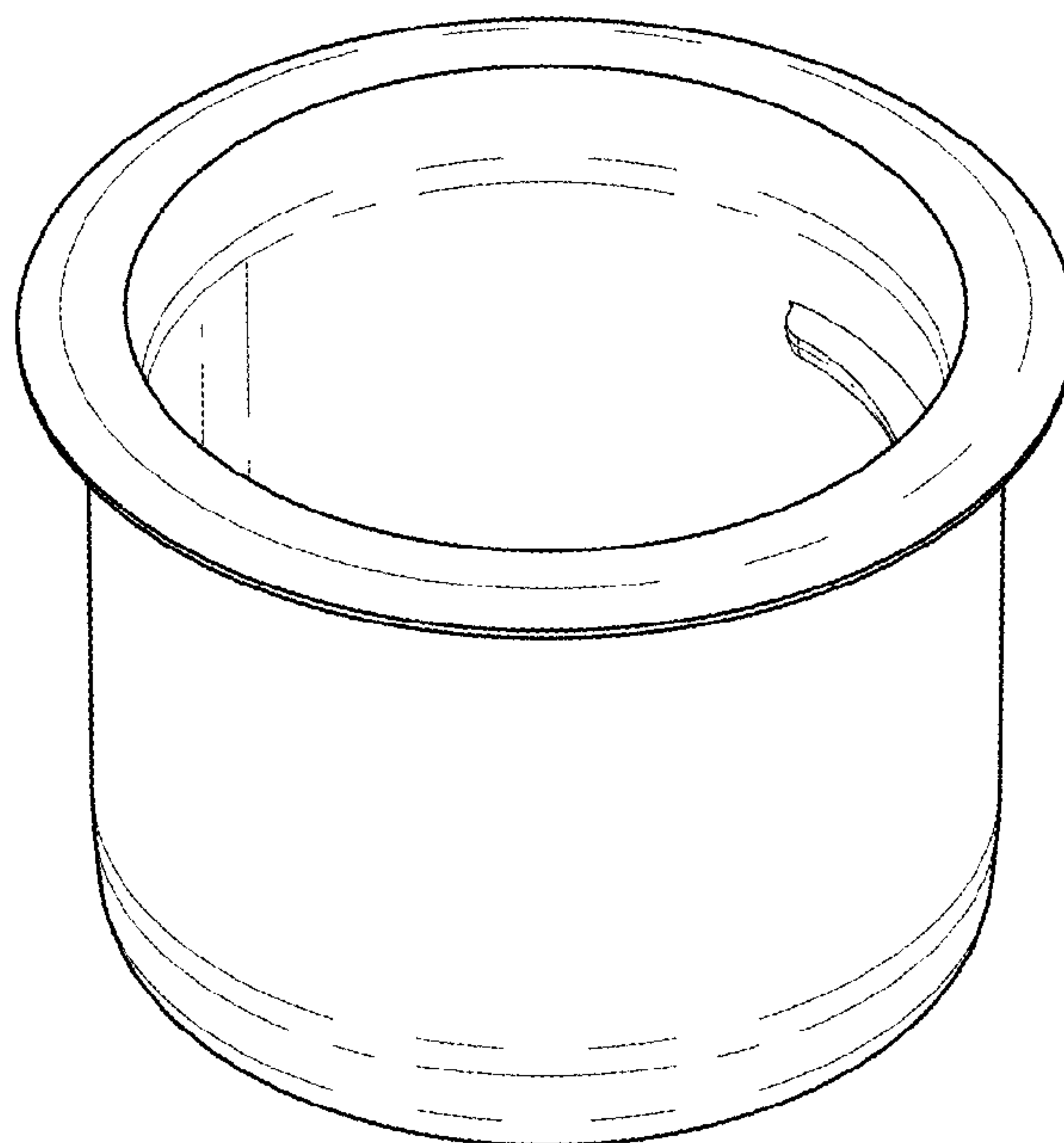
FIG. 1 is a top-side isometric view of a first embodiment of the design for a pole holder assembly;
FIG. 2 is a bottom-side isometric view thereof;
FIG. 3 is first and second side views thereof;
FIG. 4 is third and fourth side views thereof;
FIG. 5 is a top view thereof; and
FIG. 6 is a bottom view thereof.
FIG. 7 is a top-side isometric view of a second embodiment of the design for a pole holder assembly;
FIG. 8 is a bottom-side isometric view thereof;
FIG. 9 is first and second side views thereof;
FIG. 10 is third and fourth side views thereof;
FIG. 11 is a top view thereof; and,
FIG. 12 is a bottom view thereof.
The broken lines depict environmental subject matter only and form no part of the claimed design.

(56) **References Cited**

U.S. PATENT DOCUMENTS

- D392,514 S * 3/1998 Steinfels D7/624.1
- 5,878,989 A * 3/1999 Allman A47G 33/126
211/163
- D476,891 S * 7/2003 Clarke D9/447
- D528,417 S * 9/2006 Matsuda D9/439
- D582,327 S * 12/2008 Ratcliffe D12/197
- D608,084 S * 1/2010 Anson D3/203.3
- D628,485 S * 12/2010 Golota D9/455
- D645,308 S * 9/2011 Palmby D7/624.1
- D671,336 S * 11/2012 Weldon A47G 33/004
D6/661.3
- D676,353 S * 2/2013 Bycraft D11/130.1
- D702,462 S * 4/2014 Roithner D6/677

1 Claim, 6 Drawing Sheets



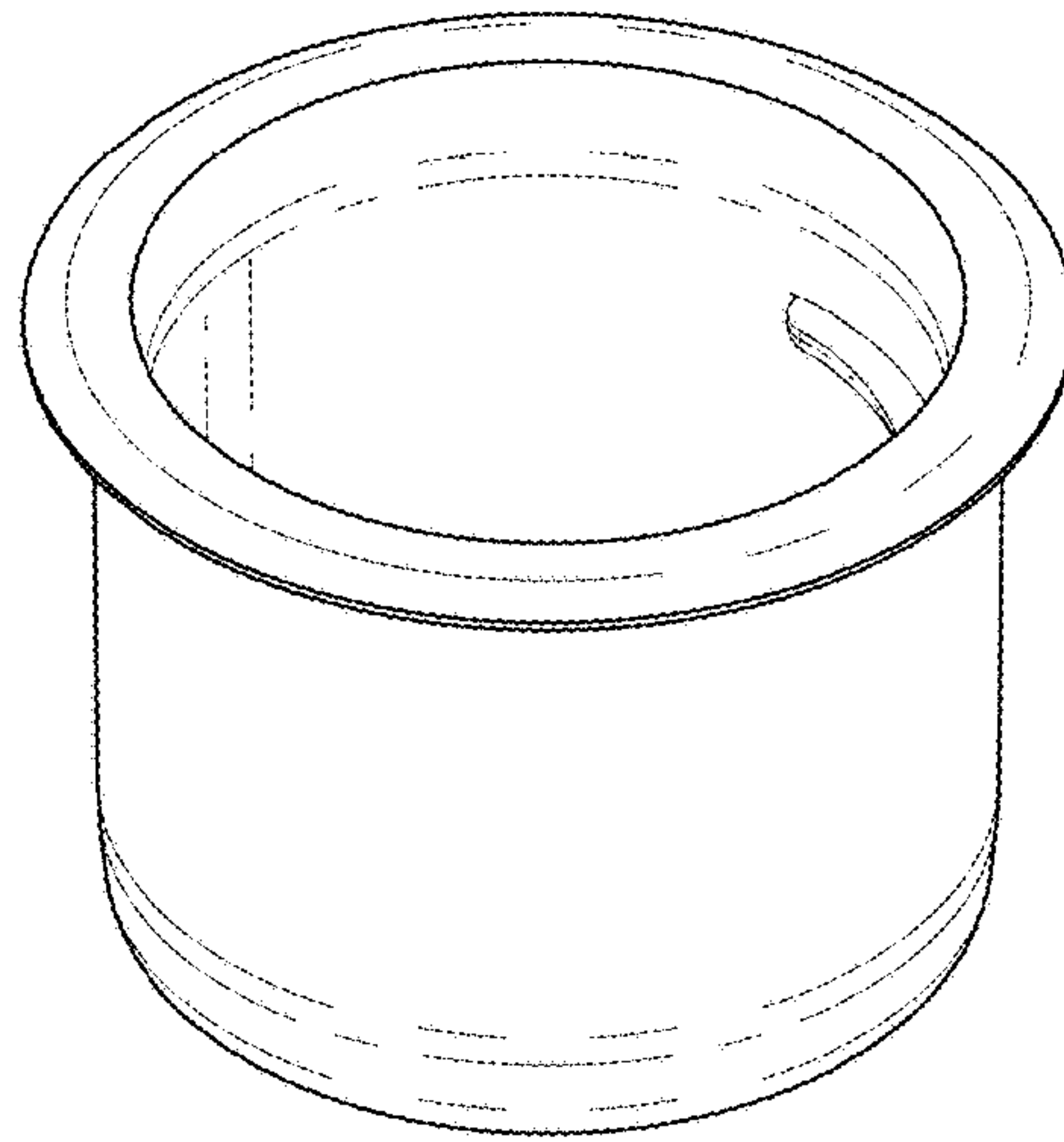


FIG. 1

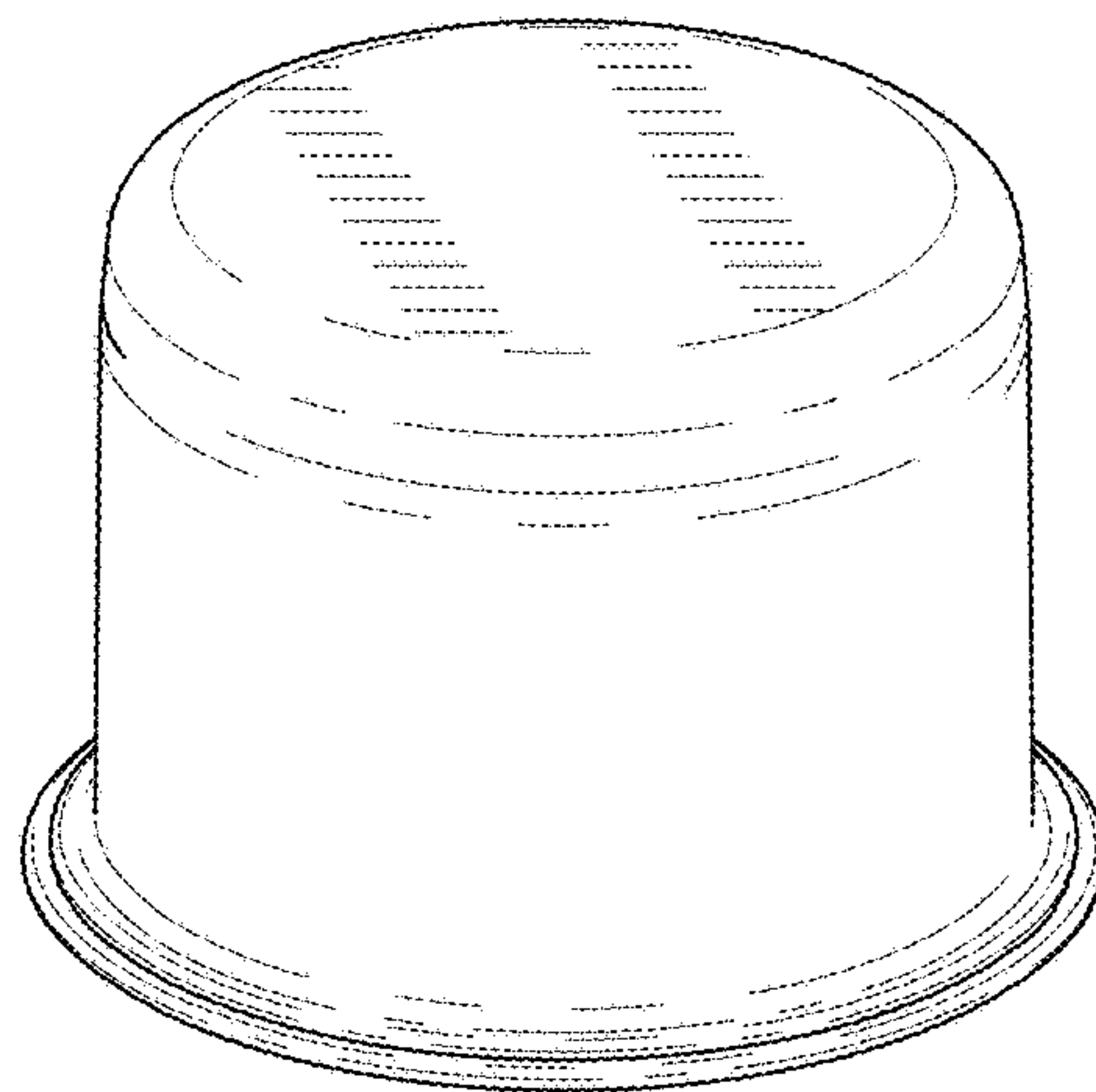


FIG. 2

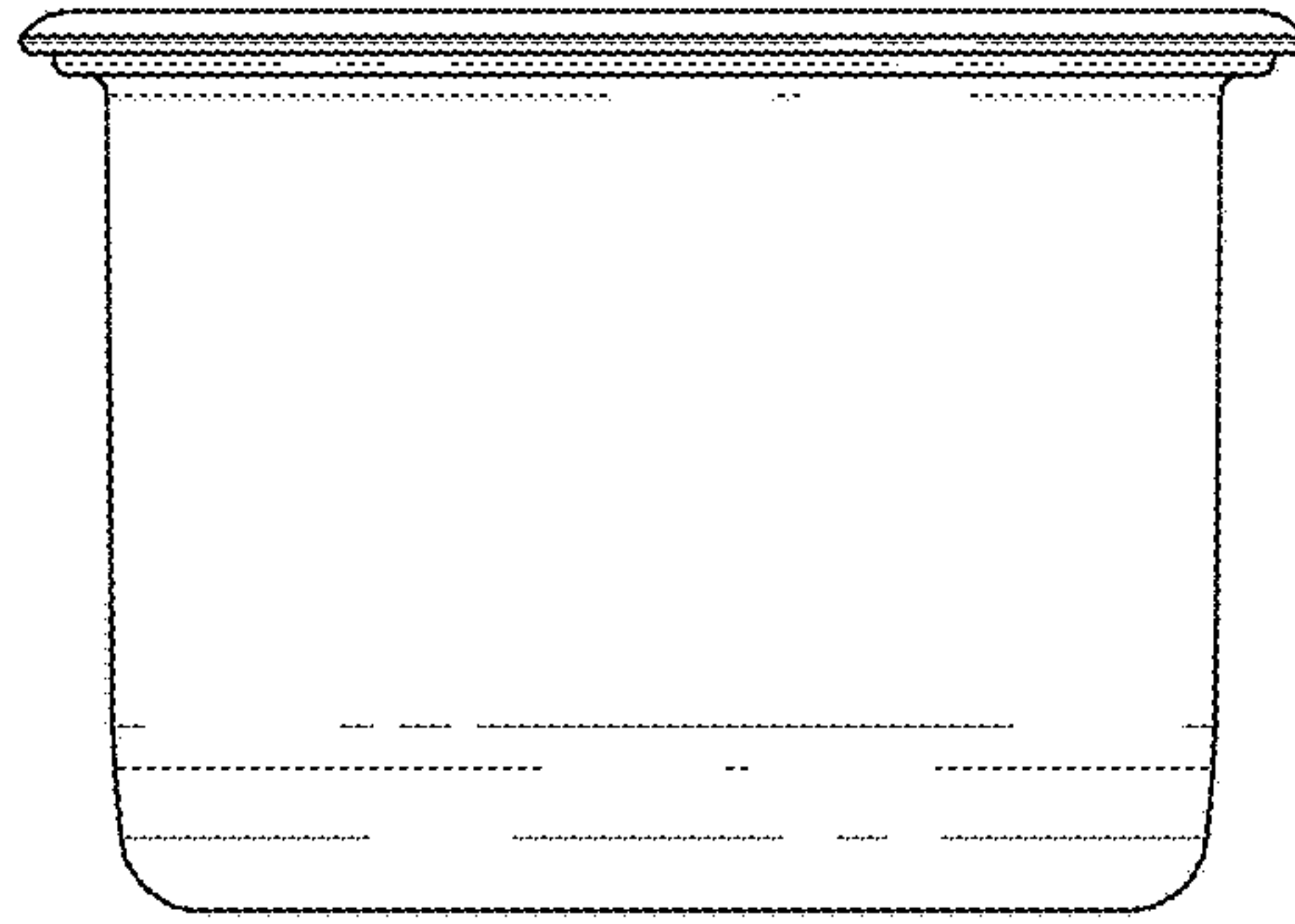


FIG. 3

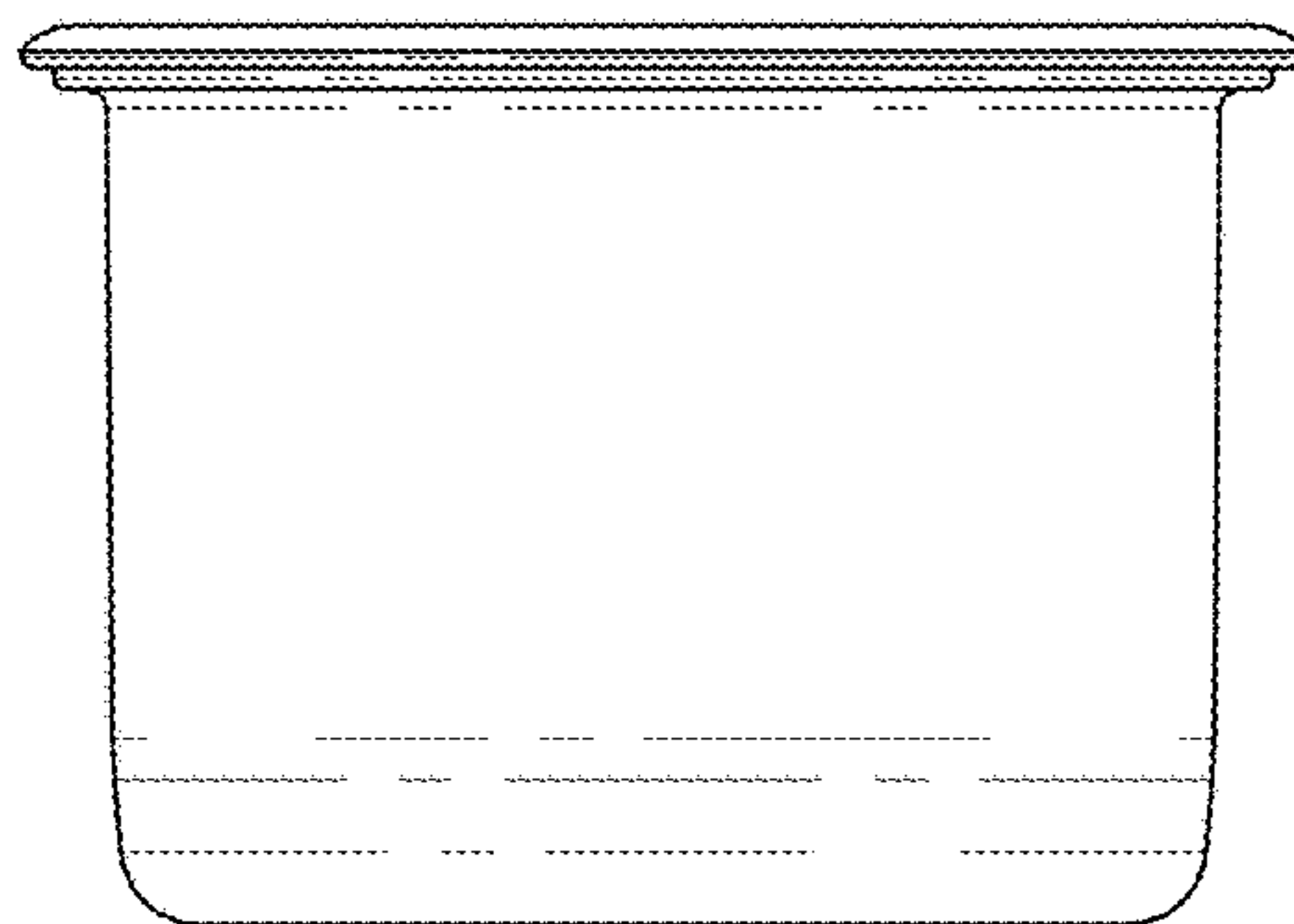


FIG. 4

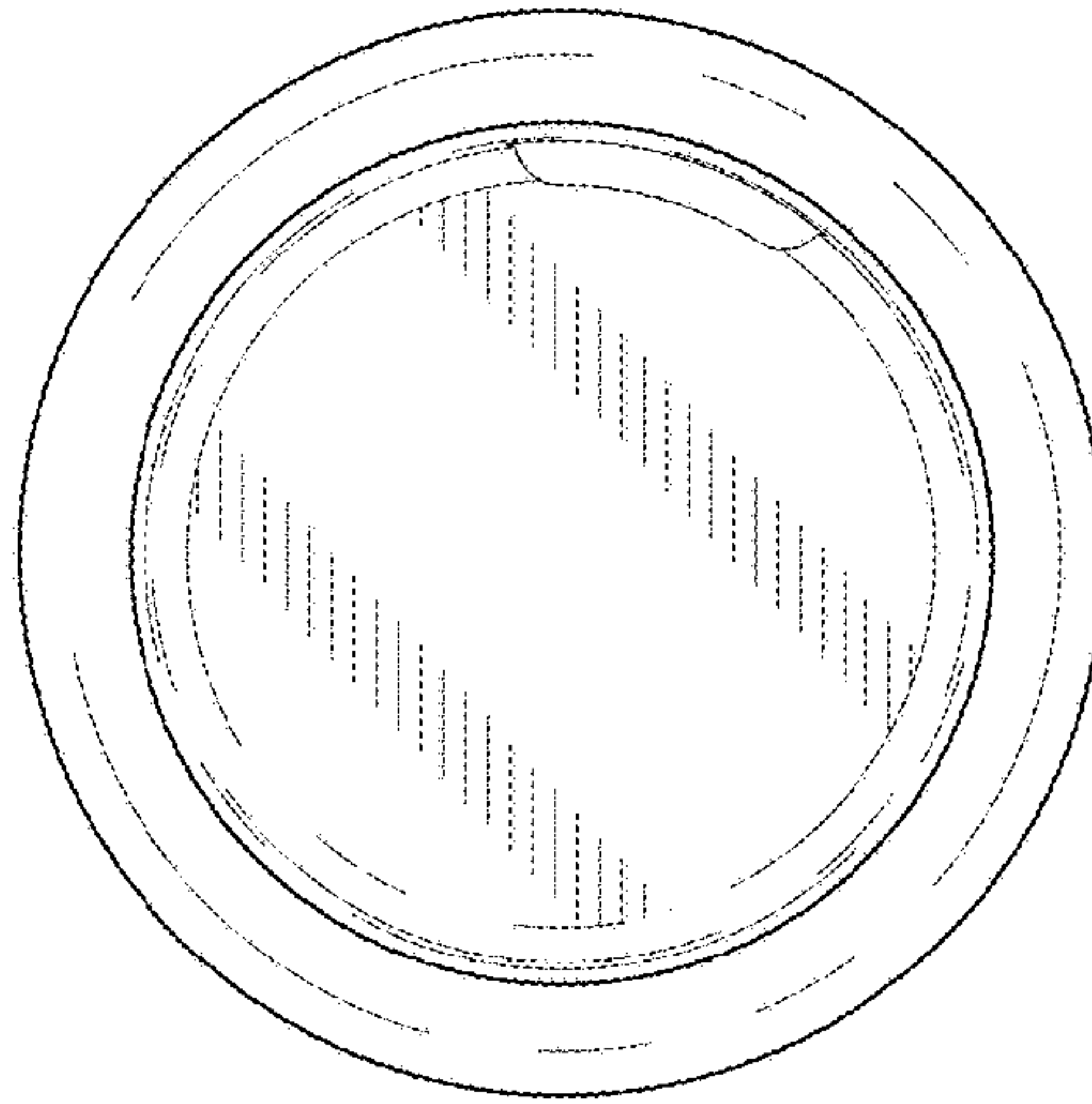


FIG. 5

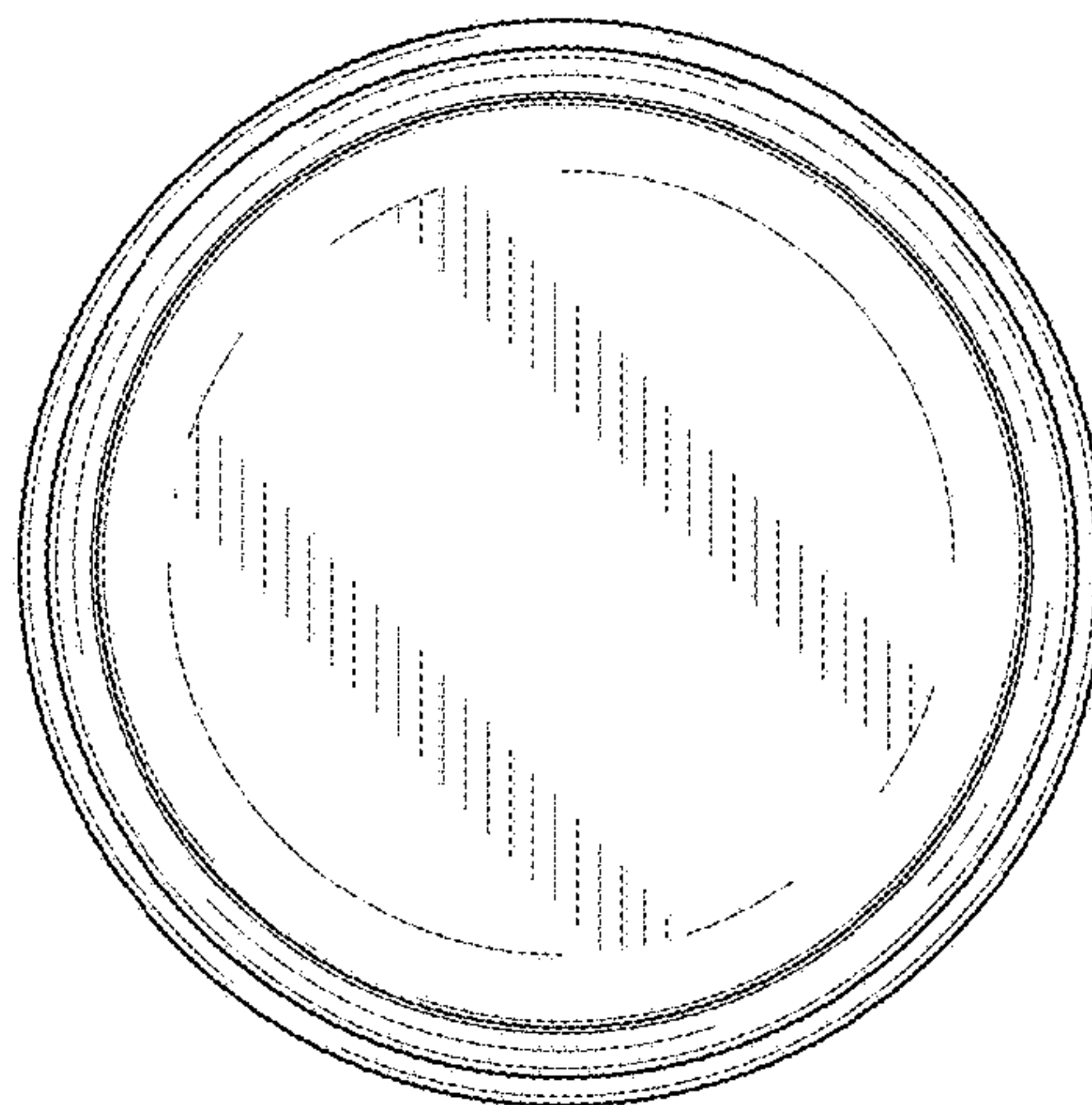


FIG. 6

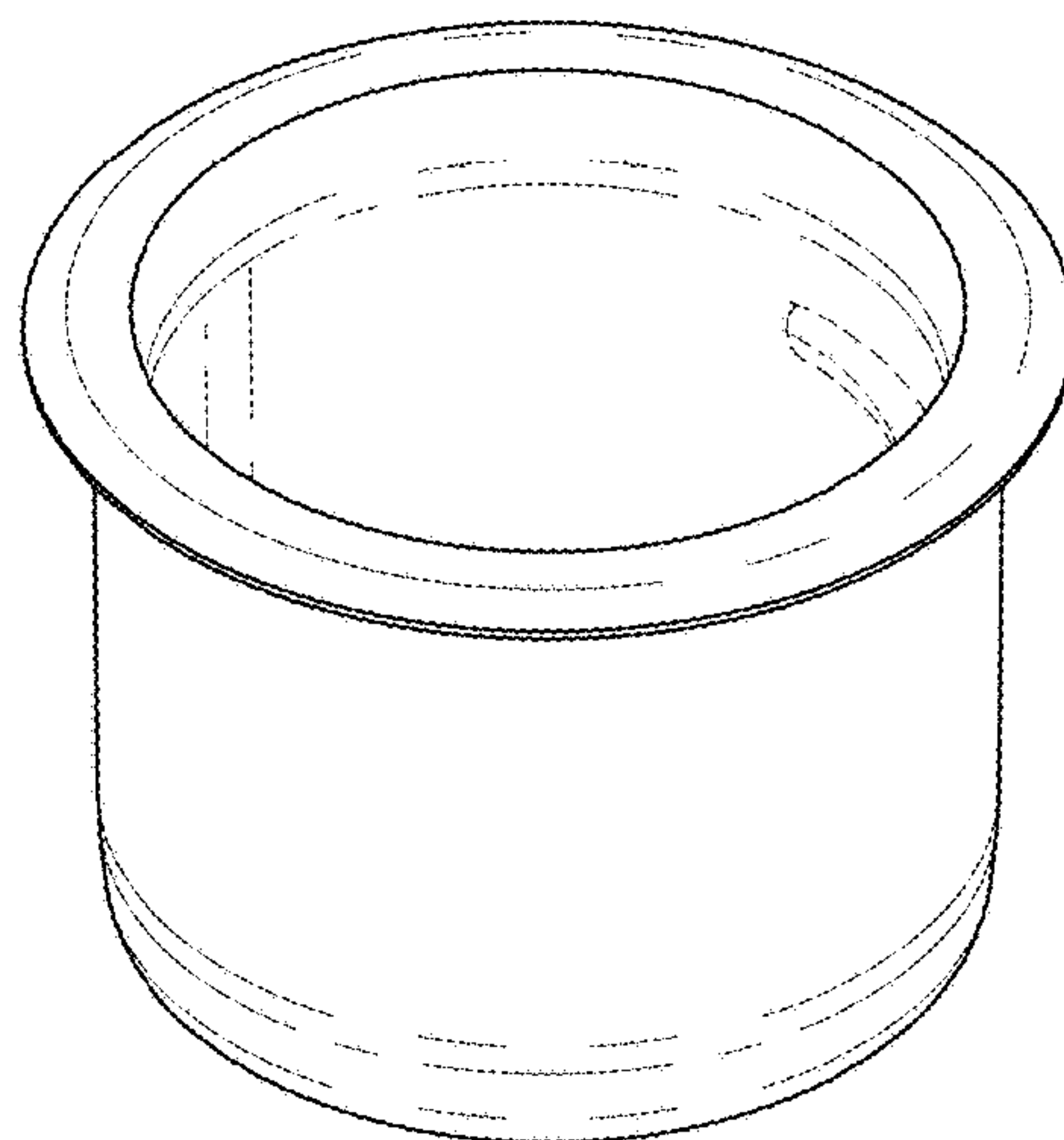


FIG. 7

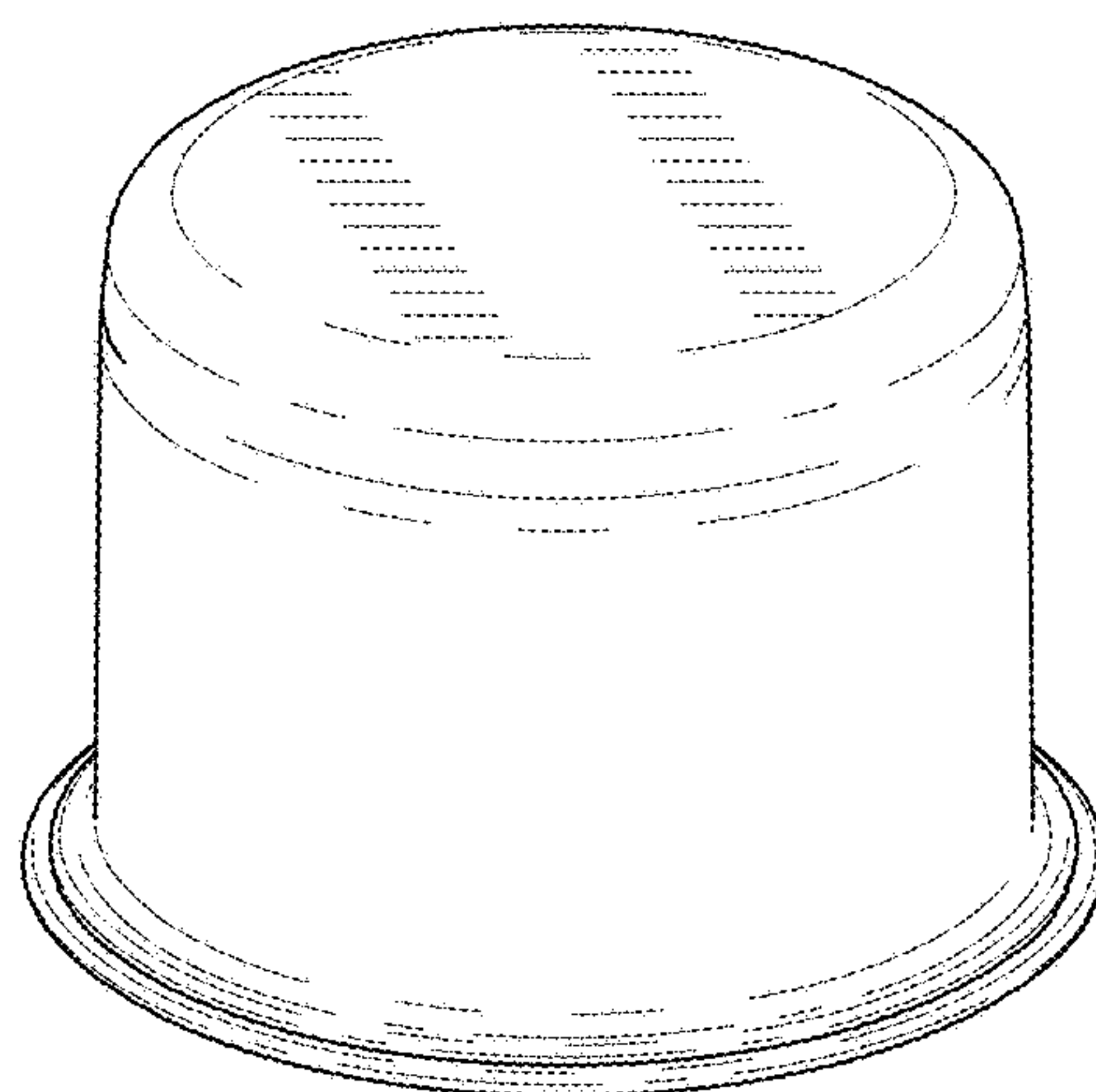


FIG. 8

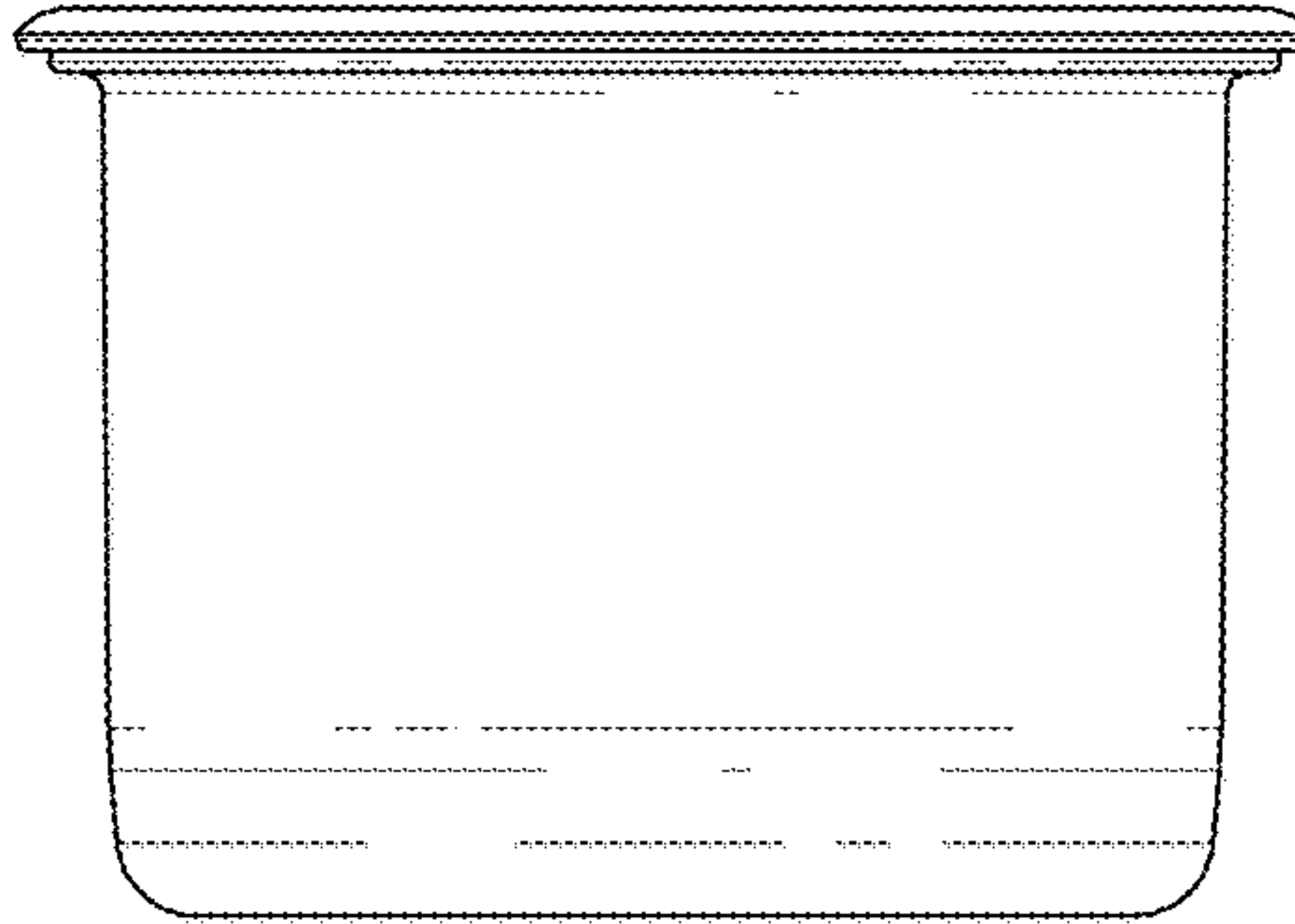


FIG. 9

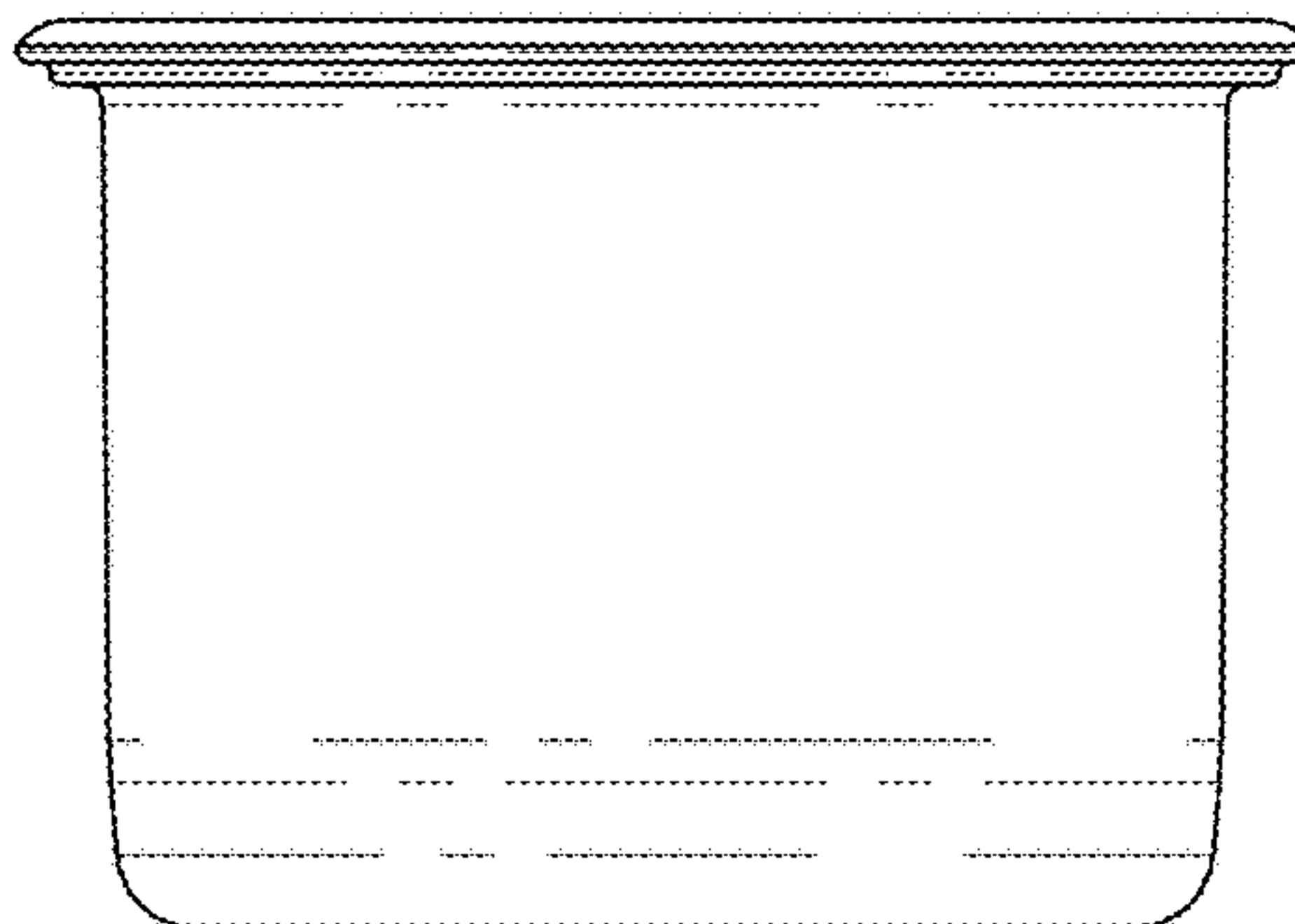


FIG. 10

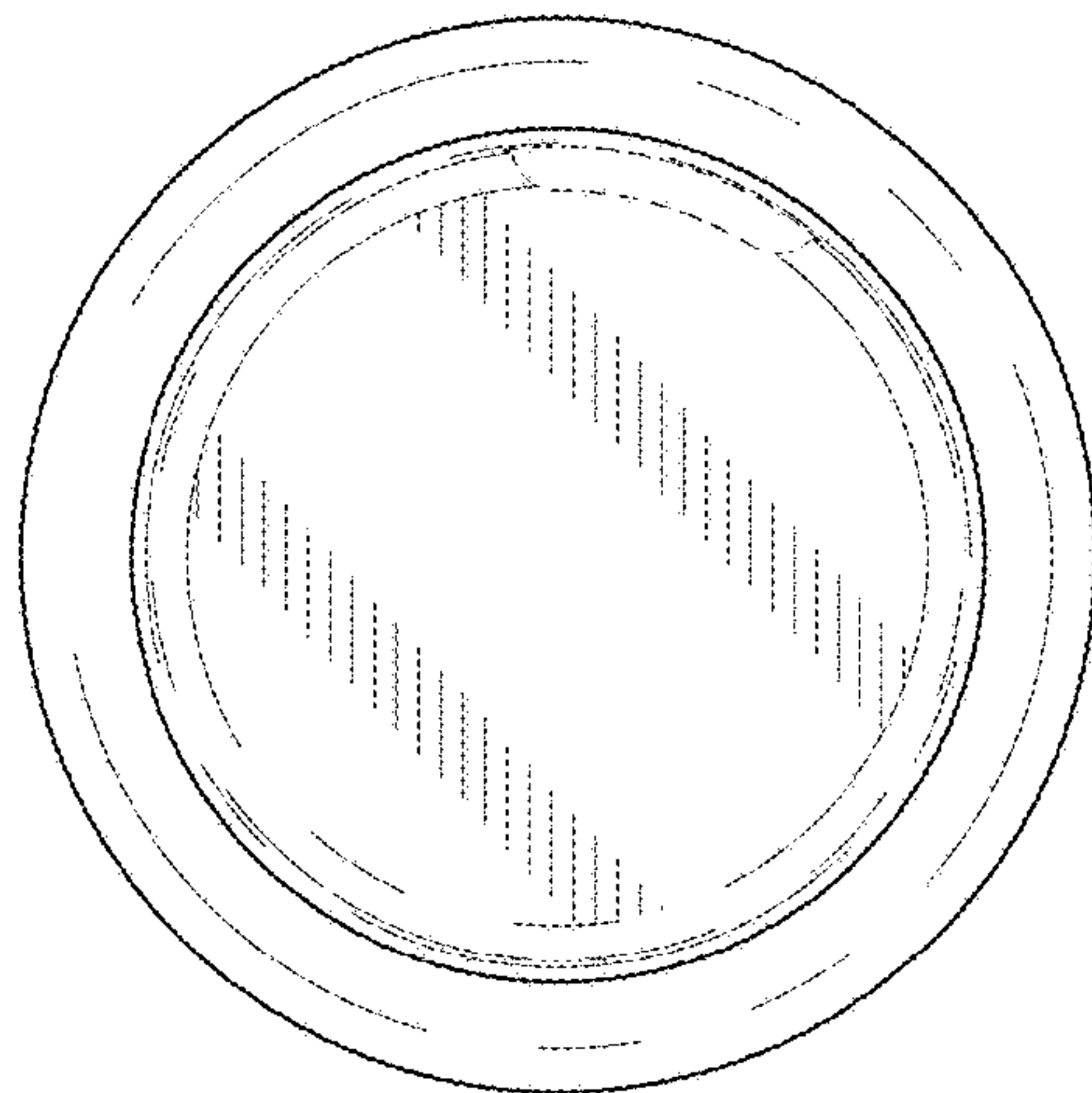


FIG. 11

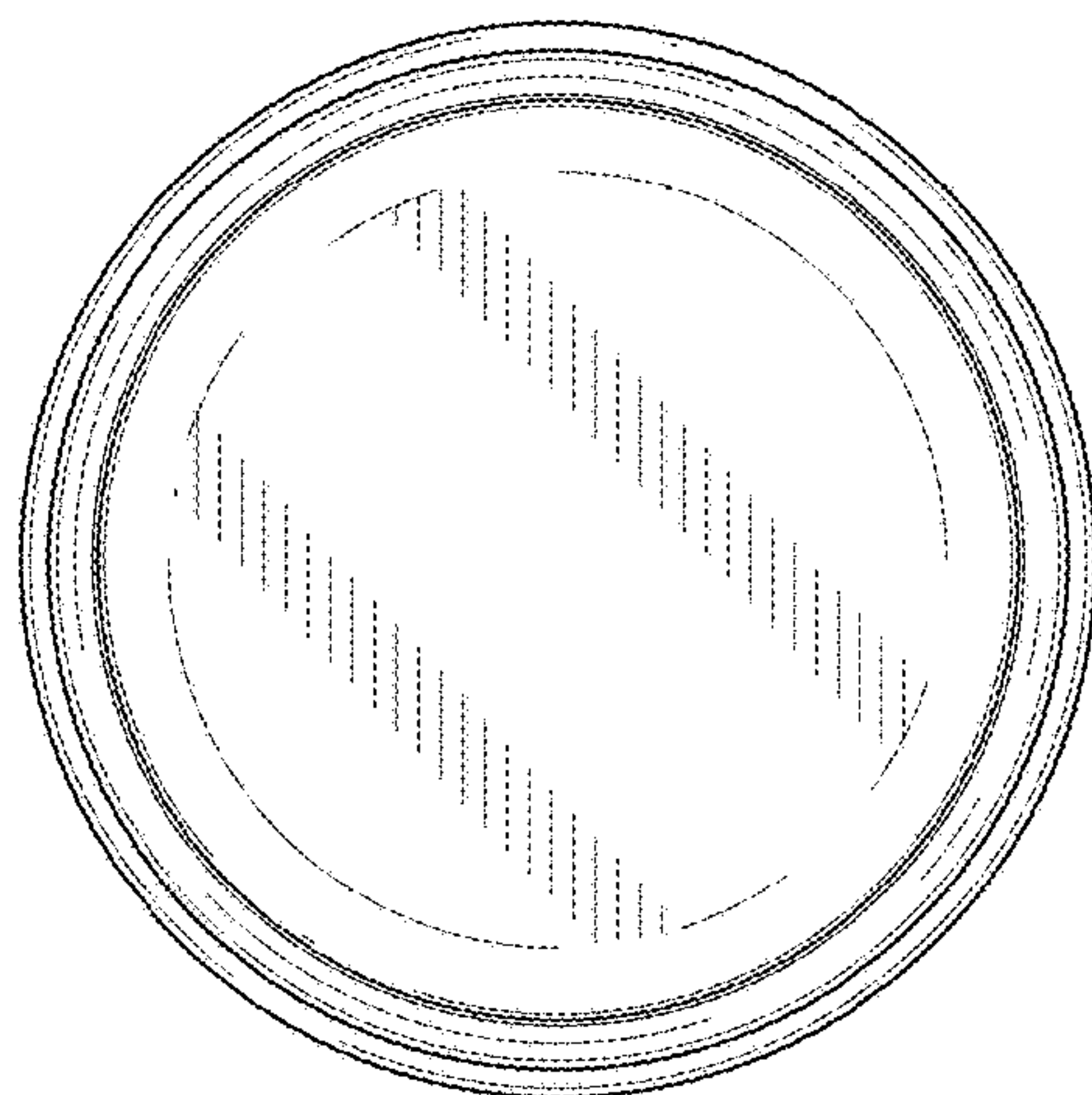


FIG. 12