



US00D843140S

(12) **United States Design Patent**
Fogel

(10) **Patent No.:** **US D843,140 S**

(45) **Date of Patent:** **** Mar. 19, 2019**

(54) **DISPLAY SHELF**

(71) Applicant: **Sean Fogel**, San Diego, CA (US)

(72) Inventor: **Sean Fogel**, San Diego, CA (US)

(**) Term: **15 Years**

(21) Appl. No.: **29/636,657**

(22) Filed: **Feb. 9, 2018**

(51) **LOC (11) Cl.** **06-06**

(52) **U.S. Cl.**
USPC **D6/675.1**

(58) **Field of Classification Search**
USPC D6/672, 673, 675, 675.1, 675.2, 683,
D6/683.1

CPC . A47B 47/04; A47B 81/04; A47F 3/00; A47F
7/00; A47F 7/0064

See application file for complete search history.

(56) **References Cited**

U.S. PATENT DOCUMENTS

- 2,366,677 A * 1/1945 Rosenthal A47B 47/042
108/180
- D260,212 S * 8/1981 Crespi D6/677
- D264,658 S * 6/1982 de Polo D6/657
- D293,753 S * 1/1988 Thompson D6/570
- D314,477 S * 2/1991 Richter D6/676.1
- D325,137 S * 4/1992 Porter D6/676.1
- D366,972 S * 2/1996 Thompson D6/407

- D384,227 S * 9/1997 Grosfillex D6/675.1
- D409,019 S * 5/1999 Crinion D34/21
- D483,581 S * 12/2003 Chang D6/678.1
- D561,492 S * 2/2008 Mehmen D6/678.1
- D566,251 S * 4/2008 Bates D23/305
- D670,112 S * 11/2012 Malone D6/514
- D672,577 S * 12/2012 Blet D6/675.1
- D796,235 S * 9/2017 Morrell D6/675.2

* cited by examiner

Primary Examiner — Kelley A Donnelly

(74) *Attorney, Agent, or Firm* — Rebecca A. Tie

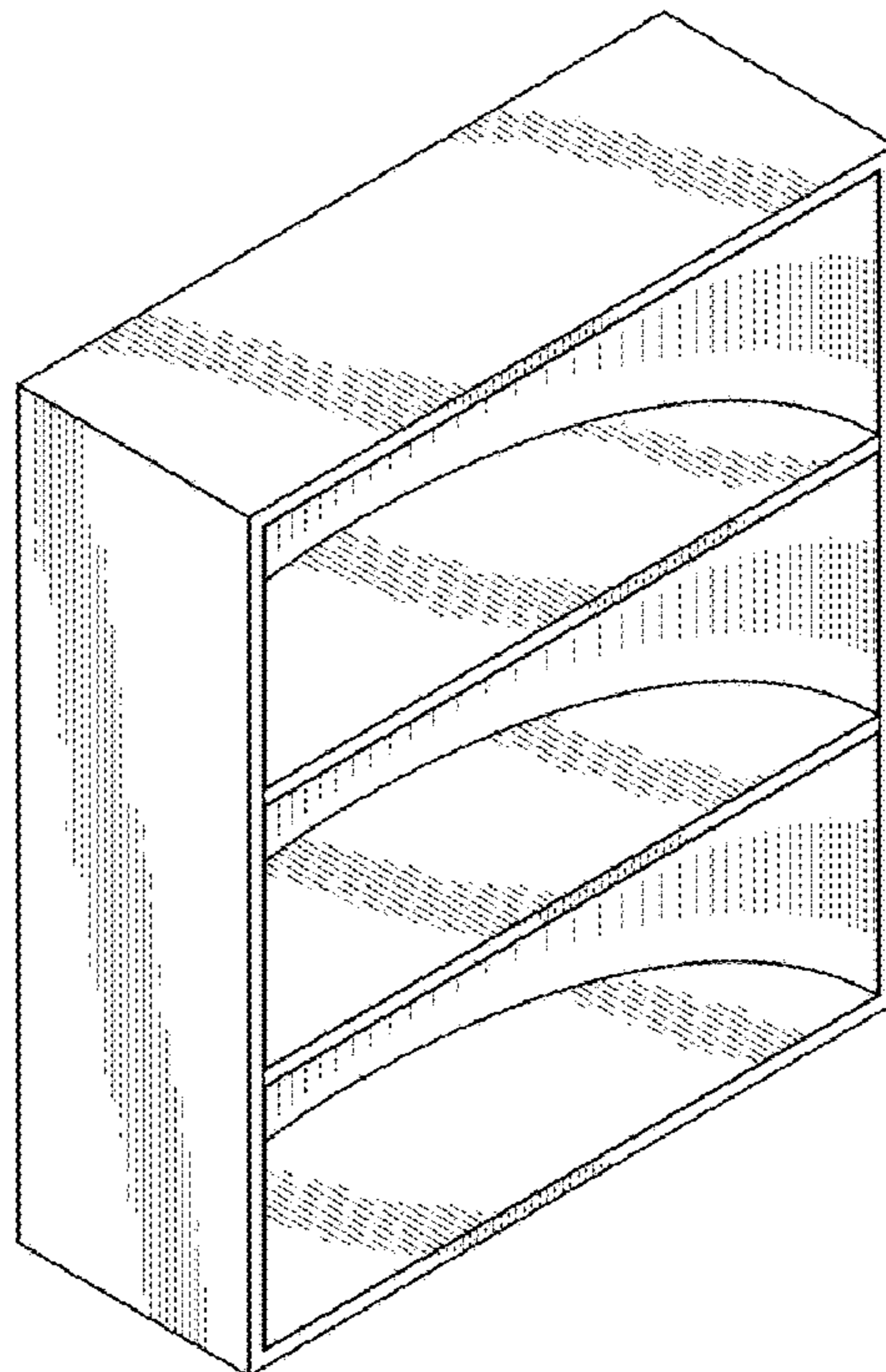
(57) **CLAIM**

The ornamental design for a display shelf, as shown and described.

DESCRIPTION

FIG. 1 is a front perspective view of a display shelf showing my new design;
 FIG. 2 is a rear perspective view thereof;
 FIG. 3 is a left side elevation view thereof;
 FIG. 4 is a right side elevation view thereof;
 FIG. 5 is a top plan view thereof;
 FIG. 6 is a bottom plan view thereof;
 FIG. 7 is a front elevation view thereof;
 FIG. 8 is a rear elevation view thereof; and,
 FIG. 9 is a front perspective view of the display shelf of FIG. 1, in which each of the curved backdrops is provided with a graphical image in broken lines to illustrate an example. The dashed broken lines in FIG. 9 are for environmental purposes only and form no part of the claimed design.

1 Claim, 3 Drawing Sheets



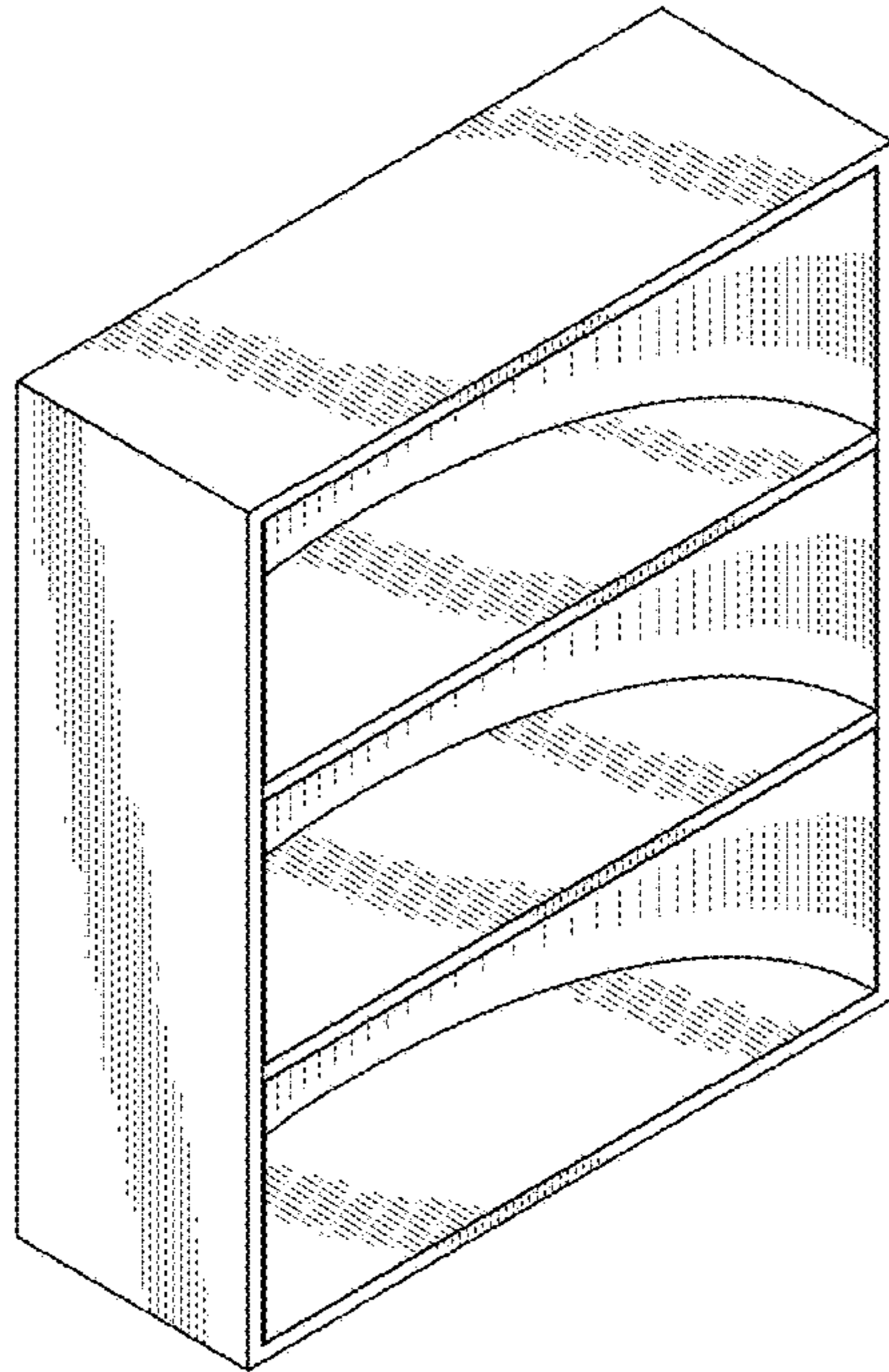


FIG. 1

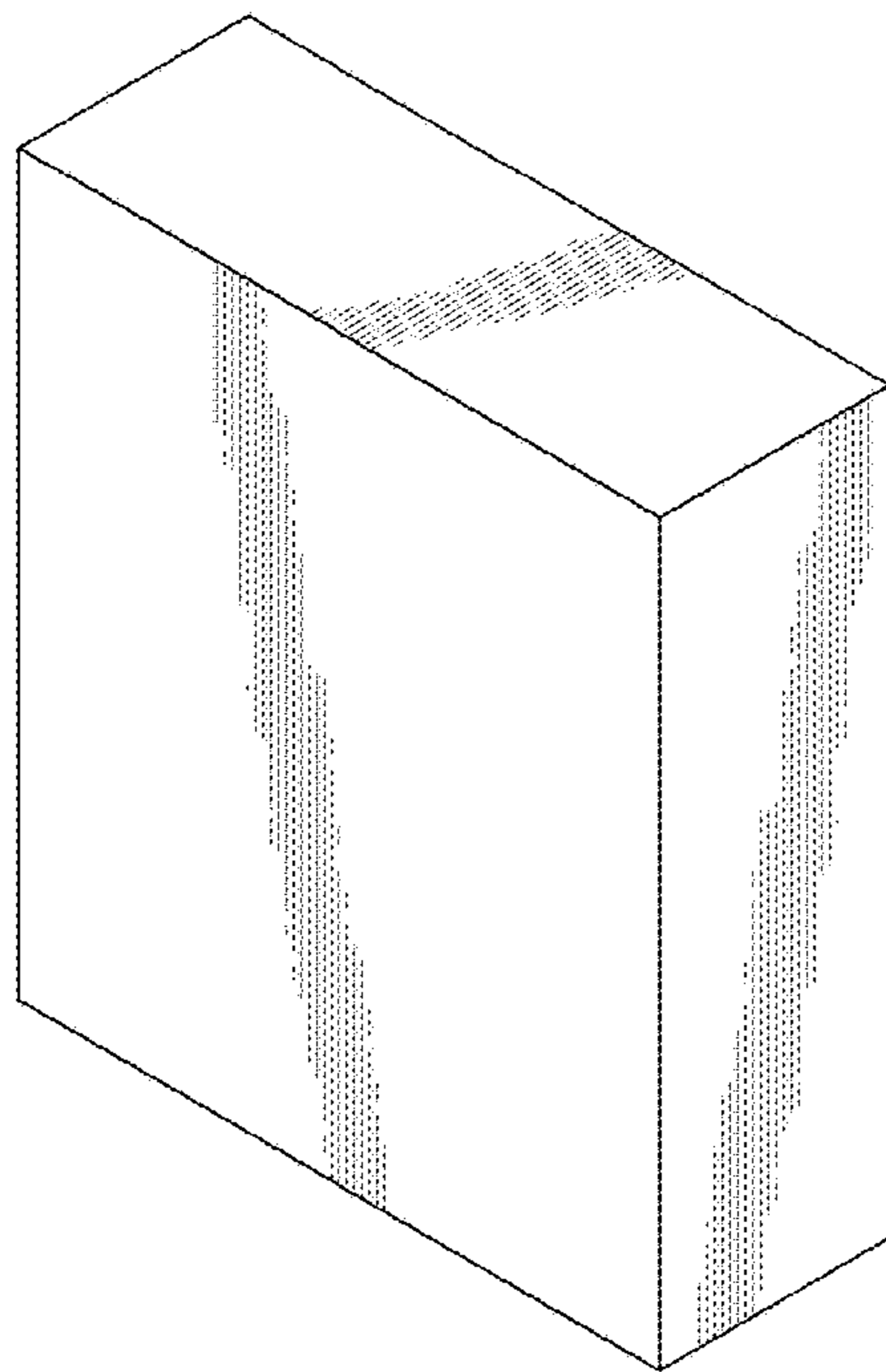


FIG. 2

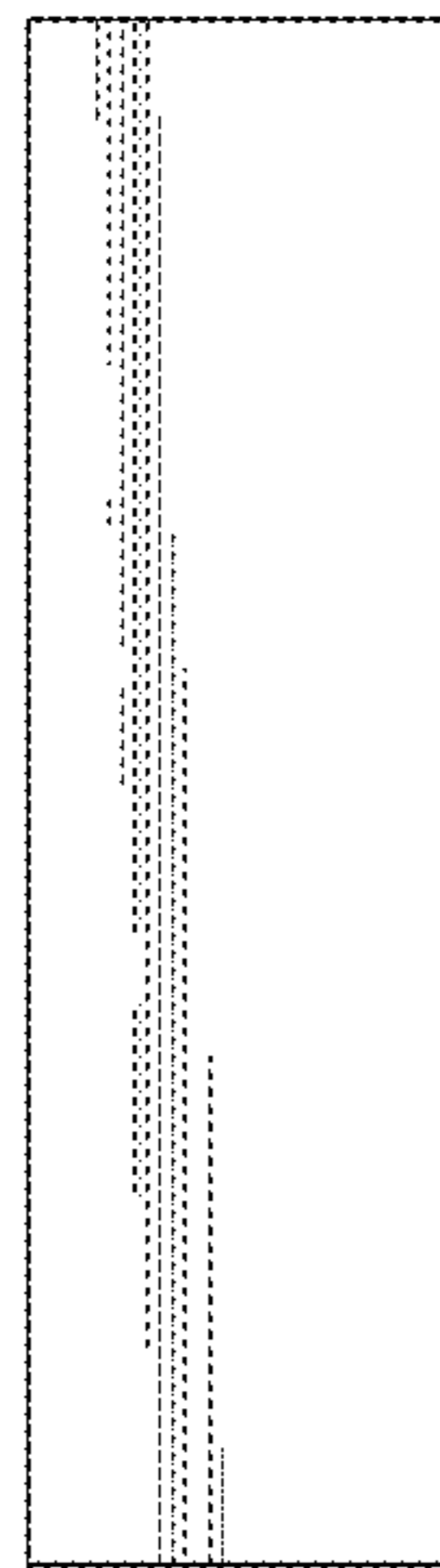


FIG. 3

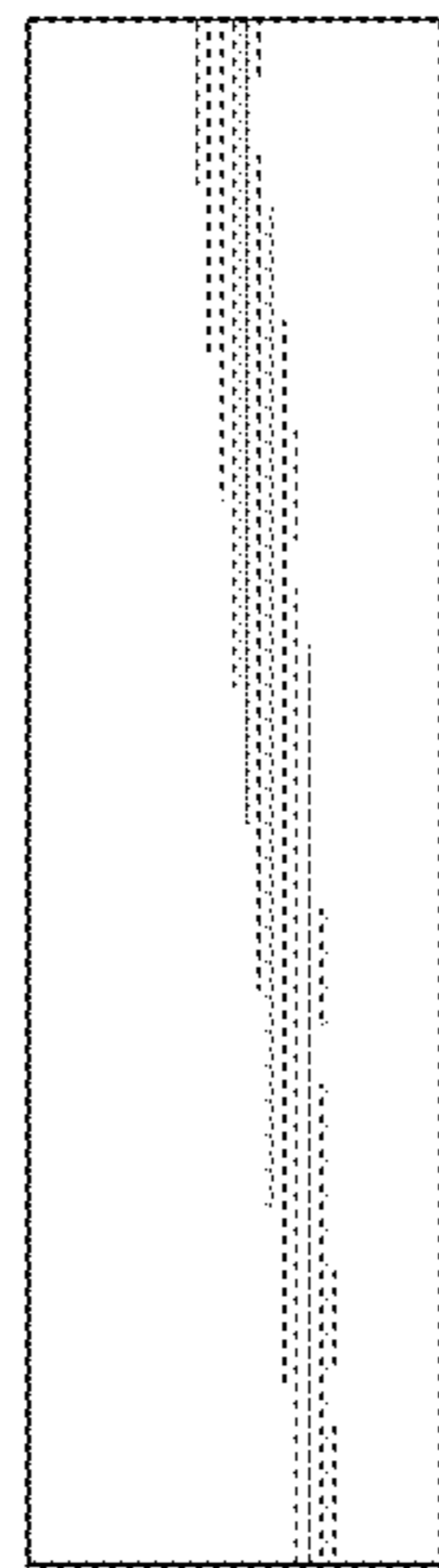


FIG. 4



FIG. 5

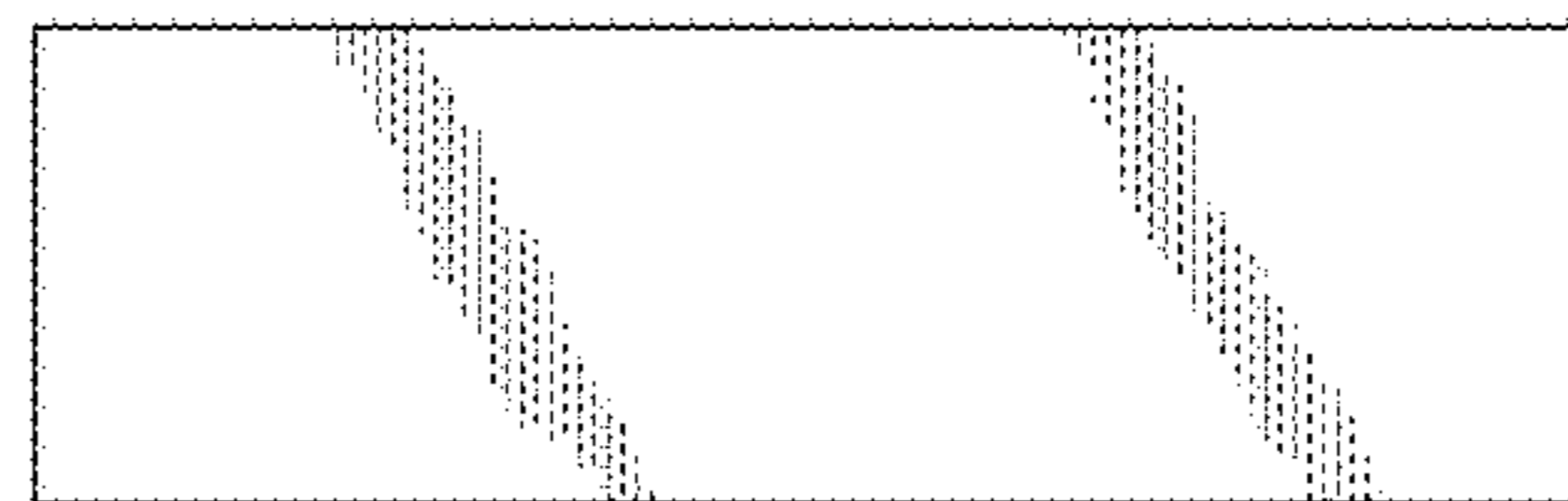


FIG. 6

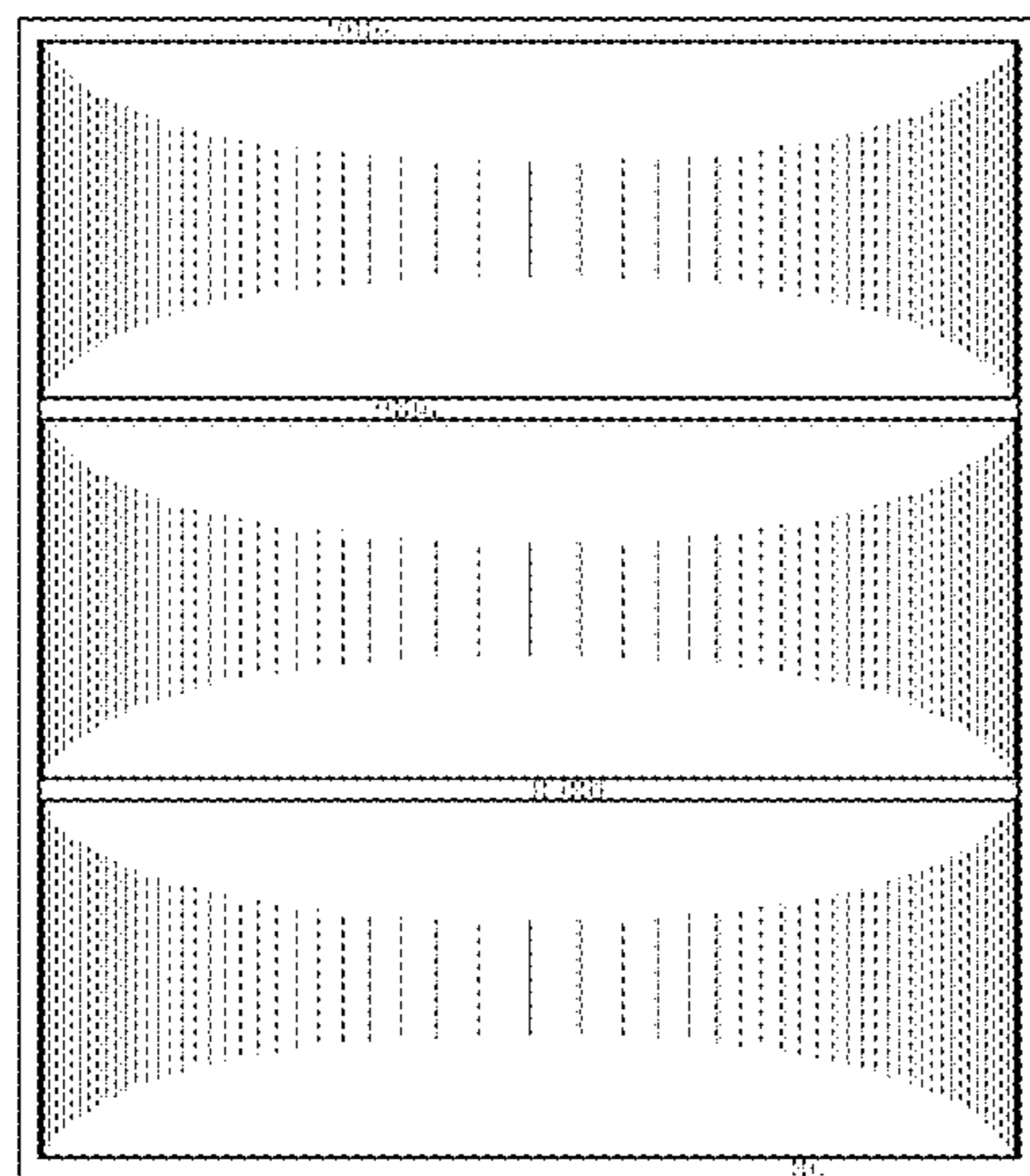


FIG. 7

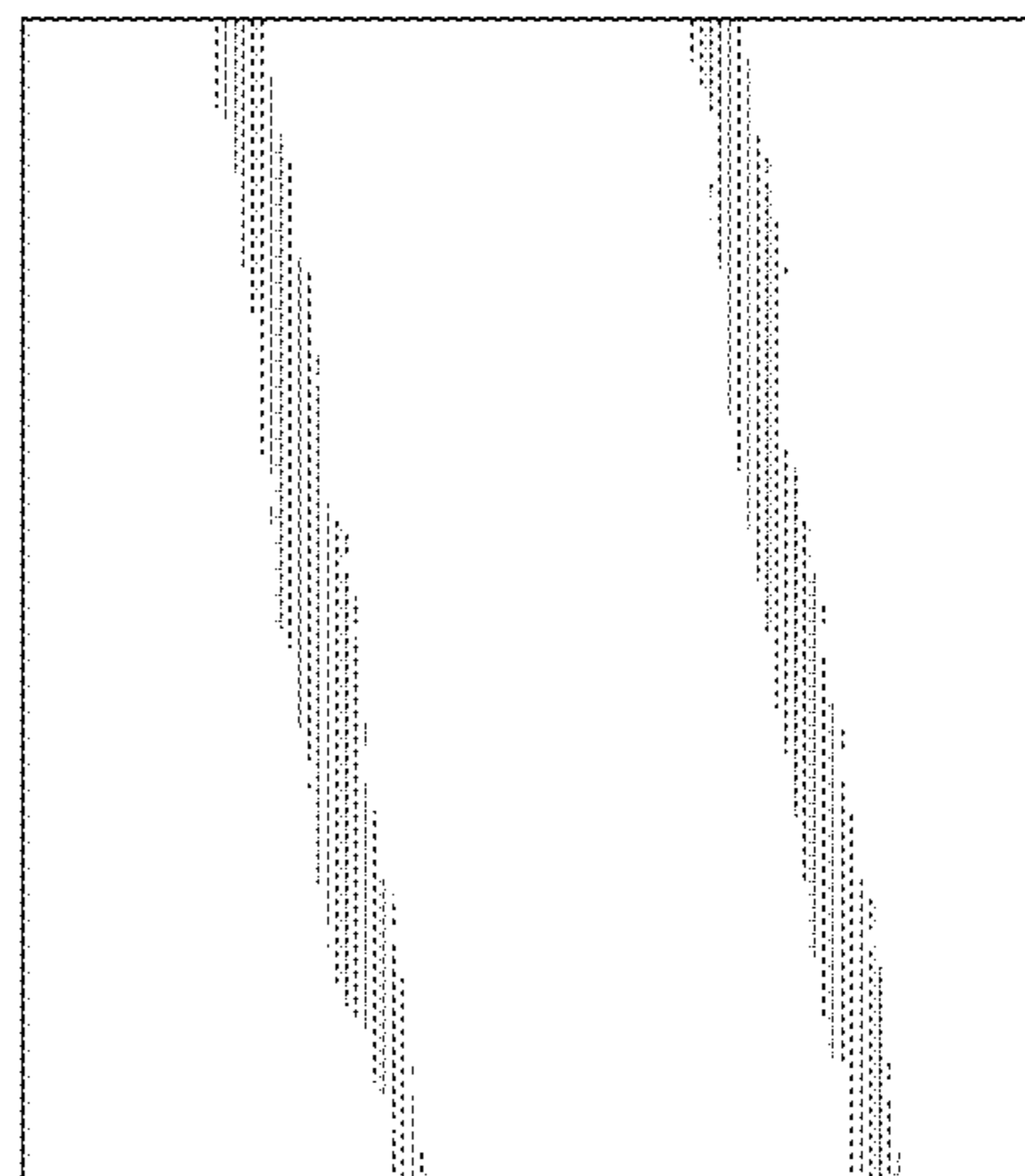


FIG. 8

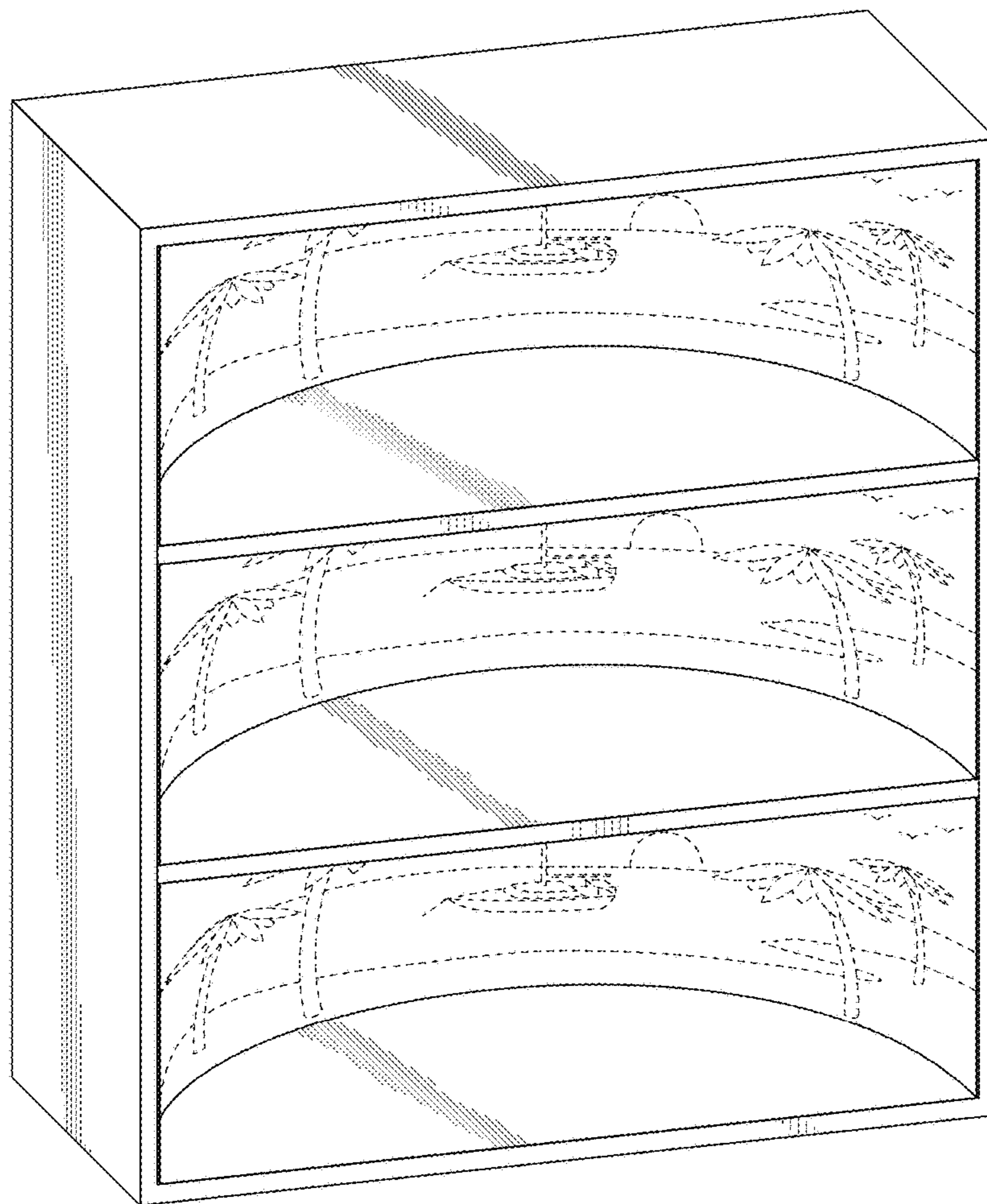


FIG. 9