



US00D843135S

(12) **United States Design Patent** (10) **Patent No.:** **US D843,135 S**
Zanki et al. (45) **Date of Patent:** **** Mar. 19, 2019**

(54) **SUPPORT APPARATUS**

(71) Applicants: **Logan Zanki**, Wilmington, NC (US);
Kathleen Zanki, Wilmington, NC (US)

(72) Inventors: **Logan Zanki**, Wilmington, NC (US);
Kathleen Zanki, Wilmington, NC (US)

(73) Assignee: **Logan Zanki**, Wilmington, NC (US)

(**) Term: **15 Years**

(21) Appl. No.: **29/658,423**

(22) Filed: **Jul. 31, 2018**

Related U.S. Application Data

(60) Continuation-in-part of application No. 29/649,835, filed on Jun. 1, 2018, which is a continuation-in-part of application No. 29/634,581, filed on Jan. 23, 2018, which is a continuation-in-part of application No. 29/624,362, filed on Oct. 31, 2017, now Pat. No. Des. 818,743, which is a division of application No. 29/555,110, filed on Feb. 18, 2016, now Pat. No. Des. 805,812.

(51) **LOC (11) Cl.** **06-09**

(52) **U.S. Cl.**
USPC **D6/601**

(58) **Field of Classification Search**
USPC D6/333, 349, 355, 375, 388, 512, 563, D6/564, 595, 596, 601, 604, 611, 707, D6/715, 716, 716.1; D24/183-185, 234; D21/803, 804, 805, 809; 5/401, 420, 5/600, 630, 631, 632, 633, 635, 636, 638, 5/639, 646, 652, 652.1, 655, 703, 730; 297/1, 2, 4, 93, 180.11, 195.1, 195.11, 297/195.13, 393, 397, 452.12, 452.14, 297/452.15, 452.21, 452.24, 452.26, 297/452.48, 452.62, 482
CPC A47G 9/10; A47G 9/1009; A47G 9/1027; A47G 9/1045; A47G 9/1063; A47G 9/1072; A47G 9/1081

See application file for complete search history.

(56) **References Cited**

U.S. PATENT DOCUMENTS

D257,309 S * 10/1980 Kroll D6/601
D277,316 S * 1/1985 Meares D24/190
D285,752 S * 9/1986 Sadow 5/648
D293,755 S * 1/1988 Murphy D6/601
4,944,059 A * 7/1990 Wall A47C 20/025
5,044,030 A * 9/1991 Balaton A47C 27/081
5/631
D335,999 S * 6/1993 Van Driessche 5/631
D341,981 S * 12/1993 Harris D6/601
D357,740 S * 4/1995 Kennemore D24/183
D370,066 S * 5/1996 Kennemore D24/183

(Continued)

OTHER PUBLICATIONS

Cozy Bump, announced Aug. 2017, [online], [site visited Oct. 27, 2018]. Available from Internet, <URL: <https://www.cozybump.com/>> (Year: 2017).*

Primary Examiner — Michelle E. Wilson

Assistant Examiner — Sanjeev Paul

(74) *Attorney, Agent, or Firm* — Gearhart Law LLC

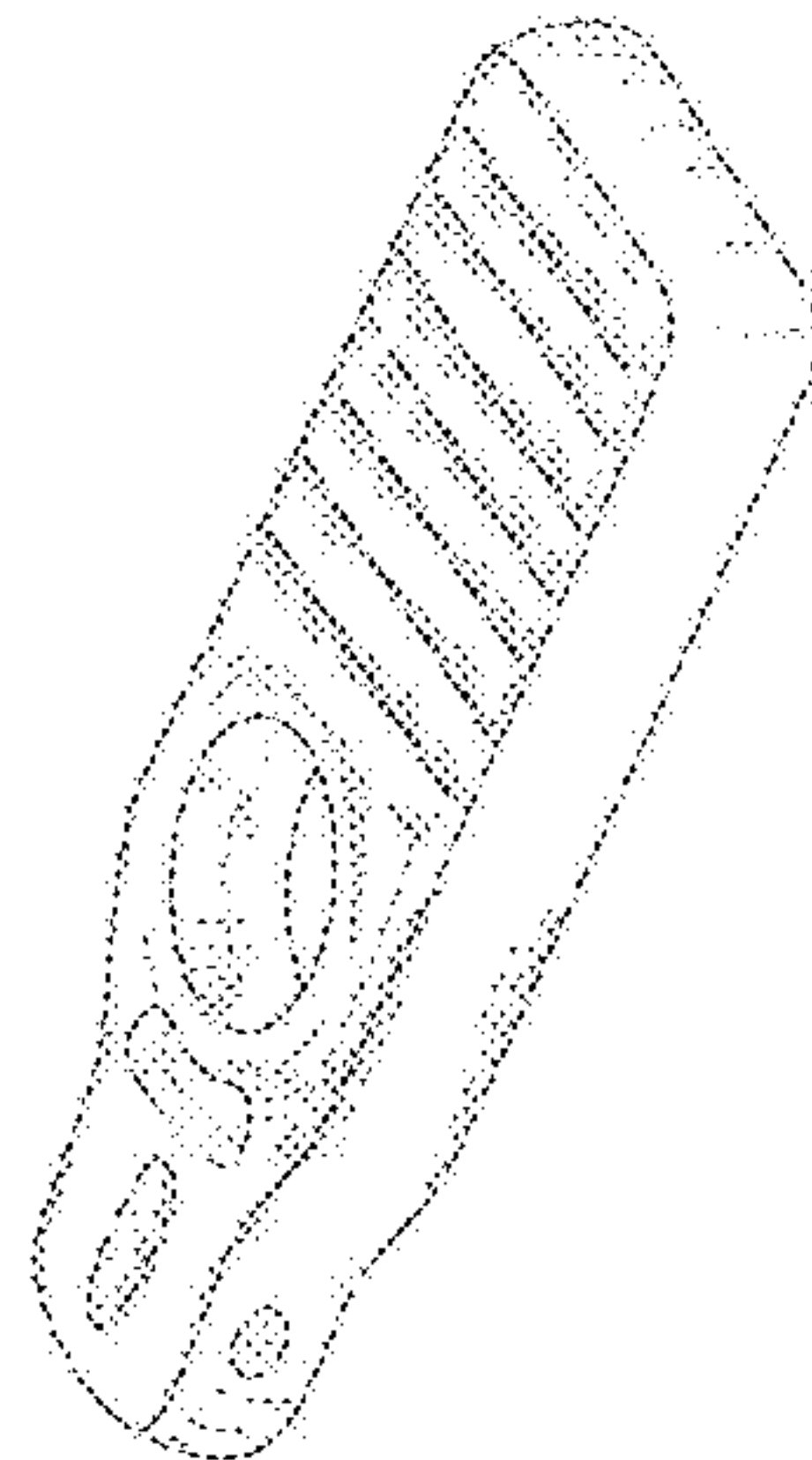
(57) **CLAIM**

The ornamental design for a support apparatus, as shown and described.

DESCRIPTION

FIG. 1 is a perspective view of the support apparatus.
FIG. 2 is a top view thereof.
FIG. 3 is a bottom view thereof.
FIG. 4 is a back view thereof.
FIG. 5 is a front view thereof.
FIG. 6 is a right side view thereof; and,
FIG. 7 is a left side view thereof.

1 Claim, 5 Drawing Sheets



(56)

References Cited

U.S. PATENT DOCUMENTS

D370,821	S	*	6/1996	Mata	D6/596
D375,989	S	*	11/1996	Jacobs	D21/809
D376,945	S	*	12/1996	Bonaddio	5/420
D378,259	S	*	3/1997	Bonaddio	D6/596
D420,238	S	*	2/2000	Jefferson	5/490
6,058,536	A	*	5/2000	Henry	A47C 27/12 5/691
D528,624	S	*	9/2006	Peterson	D21/803
D529,978	S	*	10/2006	Peterson	D21/809
D530,771	S	*	10/2006	Peterson	D21/809
D531,249	S	*	10/2006	Peterson	D21/803
D535,717	S	*	1/2007	Peterson	D21/803
D560,947	S	*	2/2008	Kreucher	D6/601
D584,911	S	*	1/2009	Hisey	D21/803
D587,507	S	*	3/2009	Martin	D6/604
D613,105	S	*	4/2010	Chuang	D6/601
D657,832	S	*	4/2012	Beber	D21/683
D666,045	S	*	8/2012	Spencer	D6/601
D749,875	S	*	2/2016	Sullivan	D6/604
D767,148	S	*	9/2016	Perreault	D24/183
D793,123	S	*	8/2017	Zanki	D6/601
D798,633	S	*	10/2017	Zanki	D6/601
D805,812	S	*	12/2017	Zanki	D6/601
D807,081	S	*	1/2018	Zanki	D6/601
D807,082	S	*	1/2018	Zanki	D6/601
D818,743	S	*	5/2018	Zanki	D6/601
2017/0071357	A1	*	3/2017	Zanki	A47C 20/025
2018/0146719	A1	*	5/2018	Zanki	A41C 1/08

* cited by examiner

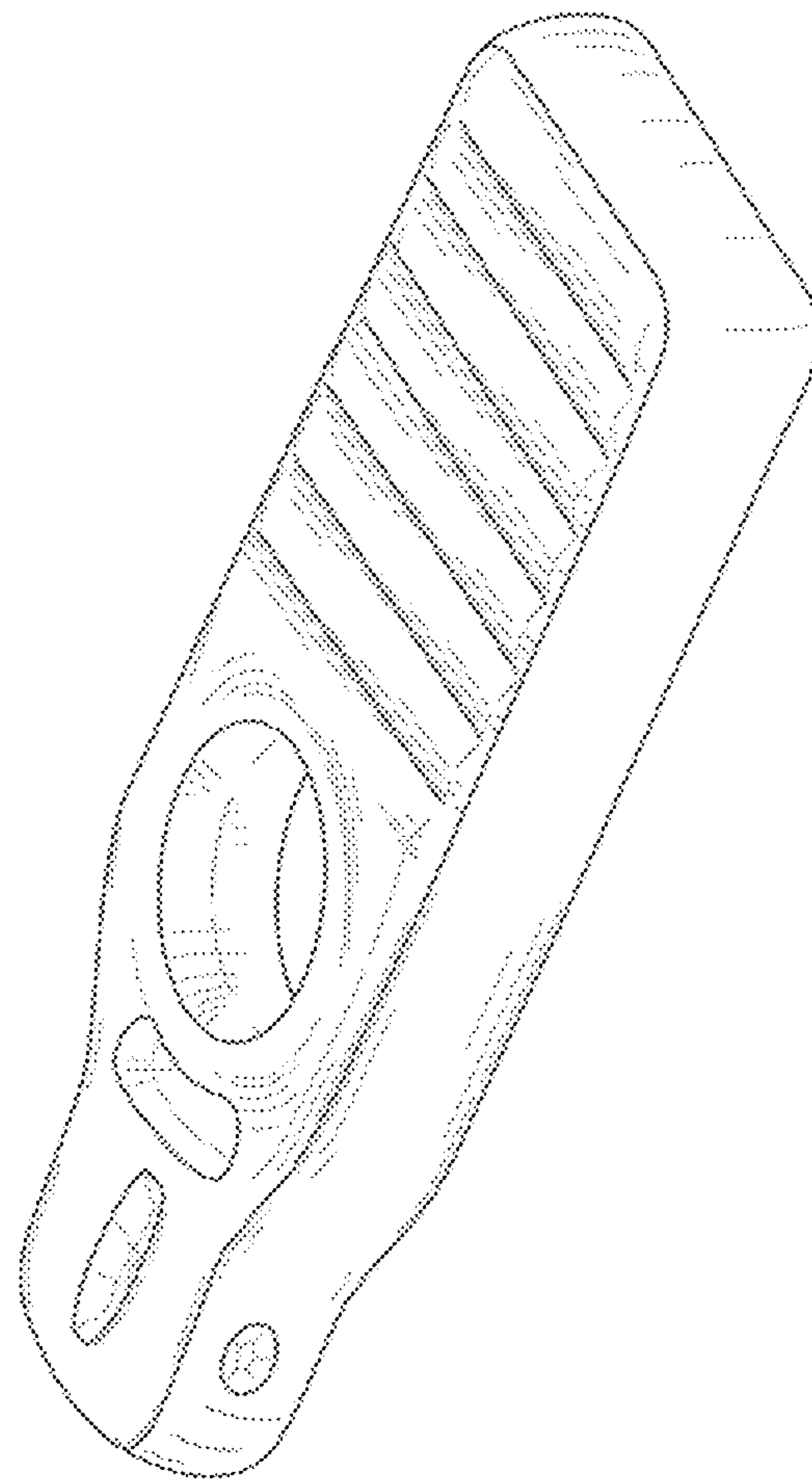


FIG. 1

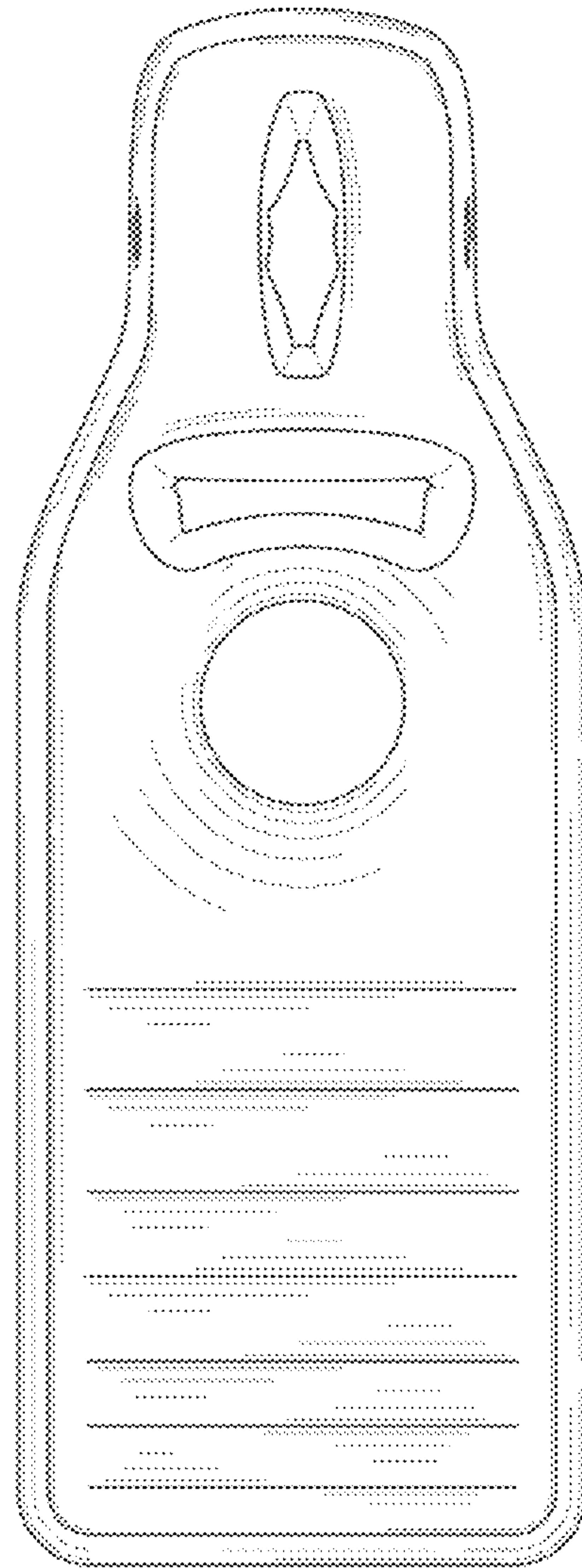


FIG. 2

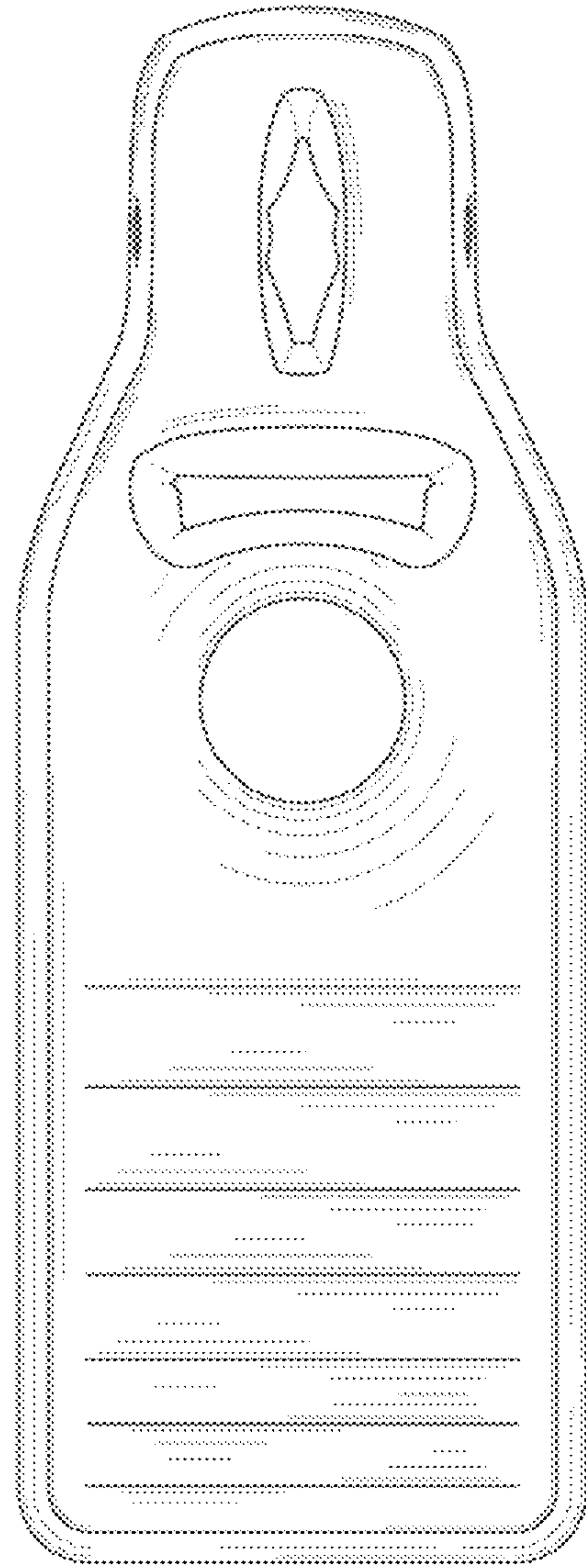


FIG. 3



FIG. 4

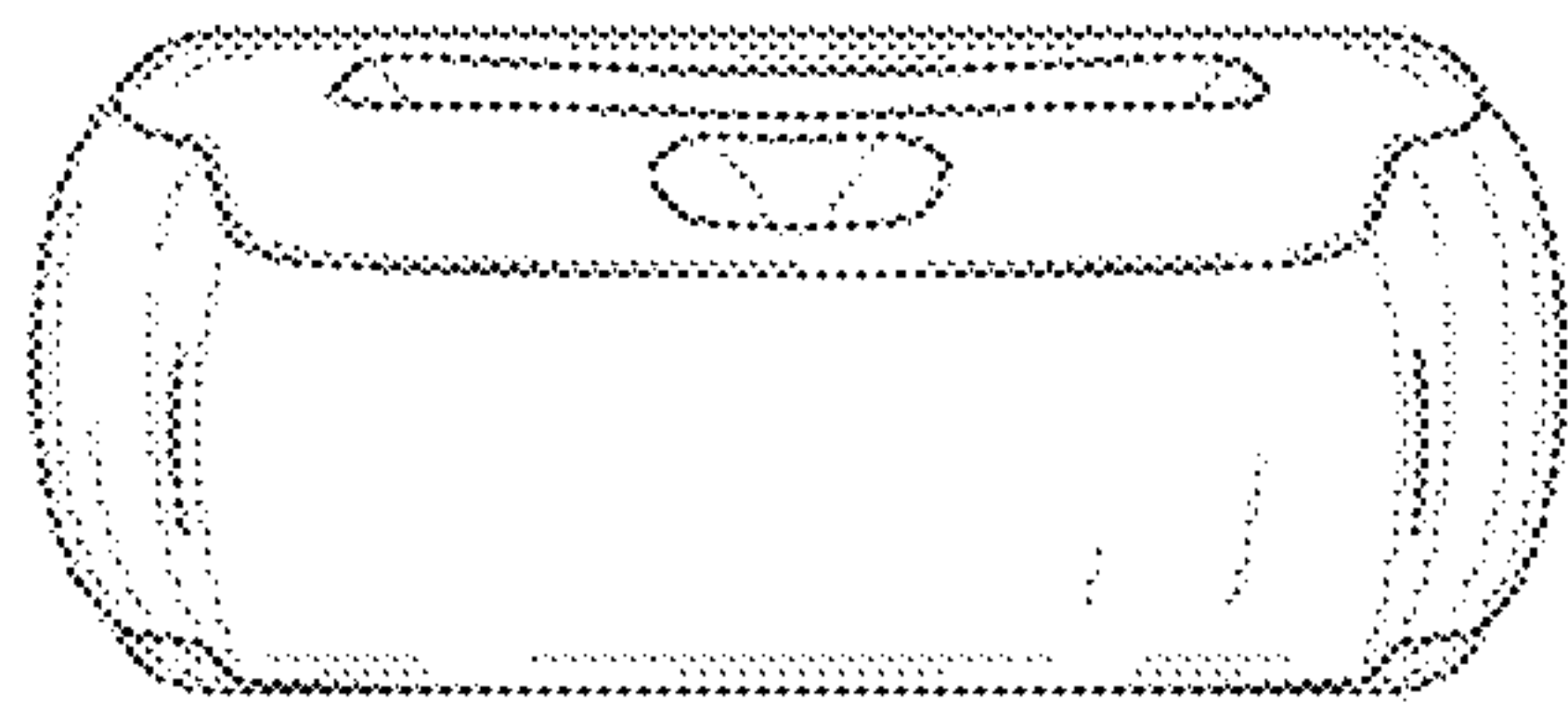


FIG. 5

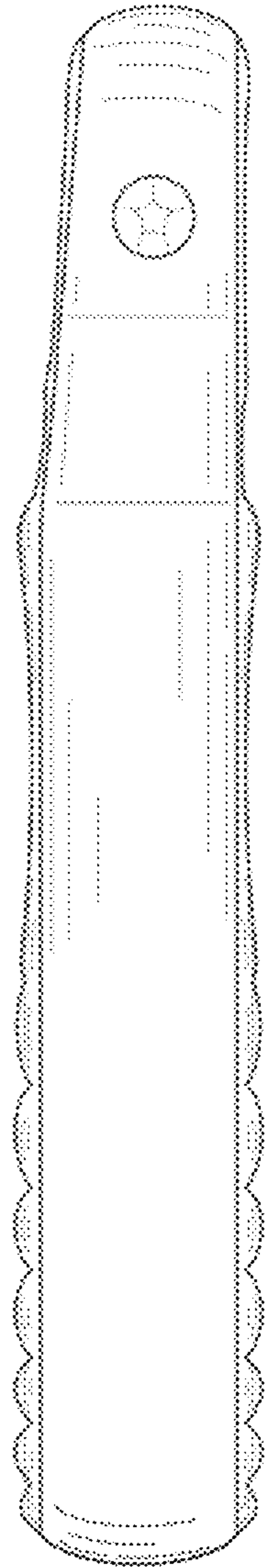


FIG. 6

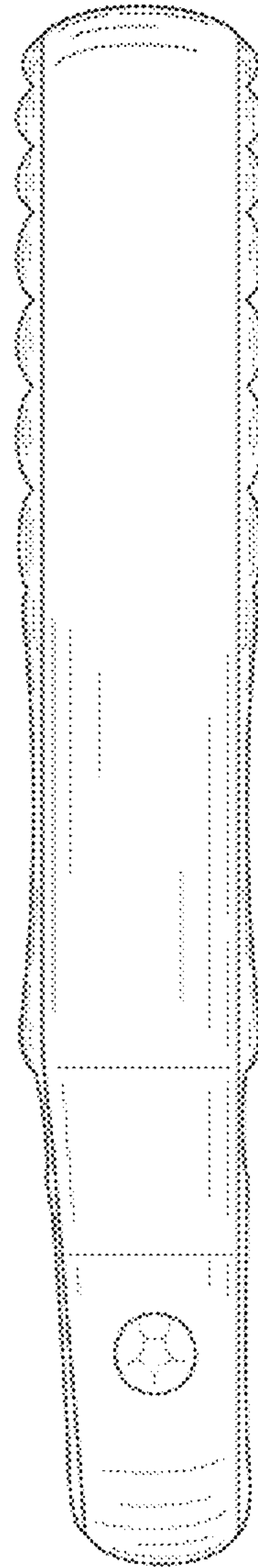


FIG. 7