



US00D843130S

(12) **United States Design Patent** (10) **Patent No.:** **US D843,130 S**
Bacal (45) **Date of Patent:** **** Mar. 19, 2019**

(54) **ROLLER SHADE CASSETTE COVER**

(71) Applicant: **Shike Bacal**, Miramar, FL (US)

(72) Inventor: **Shike Bacal**, Miramar, FL (US)

(**) Term: **15 Years**

(21) Appl. No.: **29/538,165**

(22) Filed: **Sep. 1, 2015**

(51) **LOC (11) Cl.** **06-10**

(52) **U.S. Cl.**
USPC **D6/580**

(58) **Field of Classification Search**
USPC D6/576, 577, 579, 580; D8/354, 363,
D8/373, 376, 377, 380; D25/119, 121,
D25/123, 125
CPC .. A47H 1/04; A47H 1/13; B60J 1/2038; B60J
1/2063; E06B 2009/587; E06B 9/262;
E06B 9/266; E06B 9/323; E06B 9/40;
E06B 9/42; E06B 9/58

See application file for complete search history.

(56) **References Cited**

U.S. PATENT DOCUMENTS

- 4,122,559 A * 10/1978 Kelly A47K 3/38
160/11
- 5,137,073 A 8/1992 Huang
- D345,498 S * 3/1994 Fraser D25/119
- D355,604 S 2/1995 De Baschmakoff
- 5,975,186 A 11/1999 Day
- 5,983,972 A 11/1999 Chou
- D429,588 S 8/2000 Smederod
- 6,173,825 B1 1/2001 Liu
- 6,408,922 B2 * 6/2002 Desrochers E06B 9/54
160/24
- 6,532,109 B1 * 3/2003 Shopp G03B 21/58
160/23.1
- D489,209 S * 5/2004 Goldberg D25/119
- D494,401 S * 8/2004 Davies D6/580
- 6,817,402 B1 11/2004 Fraczek et al.

- 7,195,052 B2 3/2007 Nien et al.
- 7,210,513 B2 * 5/2007 Goldenberg E06B 9/54
160/296
- 7,353,857 B2 4/2008 Koop
- 7,367,536 B1 * 5/2008 Anderson A47H 1/144
160/902
- 7,380,582 B1 * 6/2008 Anderson E06B 9/34
160/323.1

- D596,435 S 7/2009 Willis
- D634,573 S 3/2011 Risher
- 8,136,569 B2 3/2012 Bohlen et al.
- D675,050 S 1/2013 Garcia

(Continued)

FOREIGN PATENT DOCUMENTS

- BR 3020120013798 2/2013
- CN 2012300548304 3/2013

(Continued)

Primary Examiner — Kevin K Rudzinski
Assistant Examiner — Clare Ann Gannon
(74) *Attorney, Agent, or Firm* — Malloy & Malloy, PL

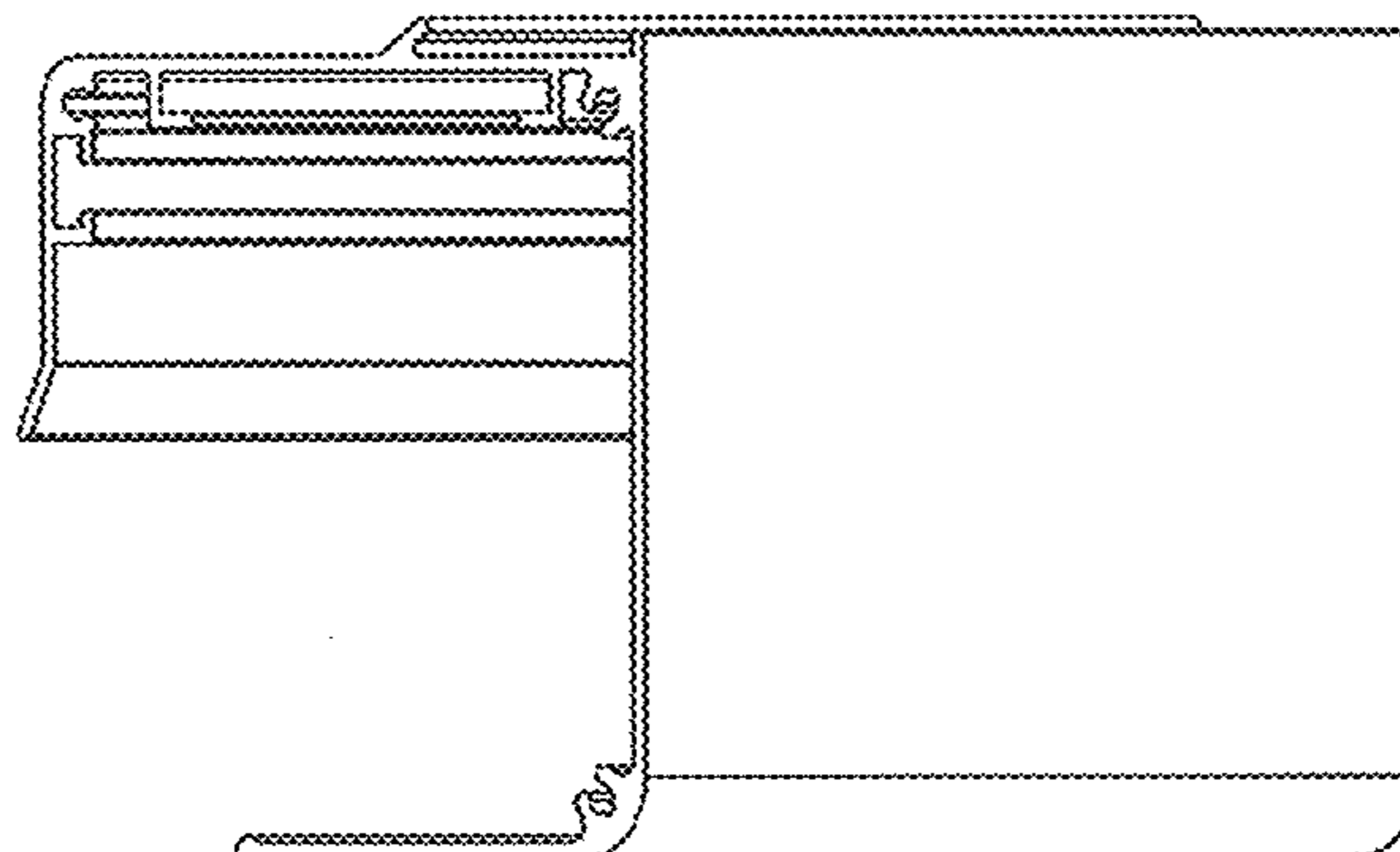
(57) **CLAIM**

The ornamental design for a roller shade cassette cover, as shown and described.

DESCRIPTION

FIG. 1 is a front perspective view illustrating my design for a roller shade cassette cover;
FIG. 2 is a front perspective view thereof;
FIG. 3 is a right side view thereof;
FIG. 4 is a left side view thereof;
FIG. 5 is a top view thereof;
FIG. 6 is a top perspective view thereof;
FIG. 7 is a rear view thereof;
FIG. 8 is a rear perspective view thereof;
FIG. 9 is a bottom view thereof; and,
FIG. 10 is a bottom perspective view thereof.

1 Claim, 10 Drawing Sheets



(56)

References Cited

U.S. PATENT DOCUMENTS

8,480,048 B2 * 7/2013 Krantz-Lilienthal ... F16B 2/245
160/23.1
8,528,623 B2 * 9/2013 Roberts E06B 9/54
160/267.1
D694,039 S 11/2013 Licciardi Di Stefano
D710,128 S 8/2014 Garcia
D715,629 S * 10/2014 Grubb D8/377
9,060,636 B2 * 6/2015 Cannaverde E06B 9/174
D808,684 S * 1/2018 Santilli D6/580
2003/0178276 A1 9/2003 Fraczek et al.
2005/0247413 A1 11/2005 Nien et al.
2006/0243402 A1 11/2006 Chang
2007/0169900 A1 7/2007 Chen et al.
2007/0284051 A1 * 12/2007 Grimes E06B 9/08
160/23.1
2009/0250177 A1 10/2009 Byeon
2009/0258752 A1 10/2009 Bohlen et al.
2010/0101741 A1 4/2010 Koop
2010/0300631 A1 12/2010 Sullivan

2012/0031572 A1 2/2012 Ng et al.
2012/0255686 A1 10/2012 Huang
2013/0048229 A1 * 2/2013 Dwarka E06B 9/24
160/121.1
2013/0068405 A1 3/2013 Lava et al.
2014/0305602 A1 * 10/2014 Kirby E06B 9/42
160/310
2015/0275571 A1 * 10/2015 Guhl E06B 9/327
160/172 R
2015/0368970 A1 * 12/2015 Chambers E06B 9/42
160/323.1
2016/0090779 A1 * 3/2016 Nurre E06B 9/42
160/266
2016/0326800 A1 * 11/2016 Marocco E06B 9/42

FOREIGN PATENT DOCUMENTS

CN 2012303568969 4/2013
CO 282 7/2012
EM 0013369940001 7/2012
MX 38640 5/2013

* cited by examiner

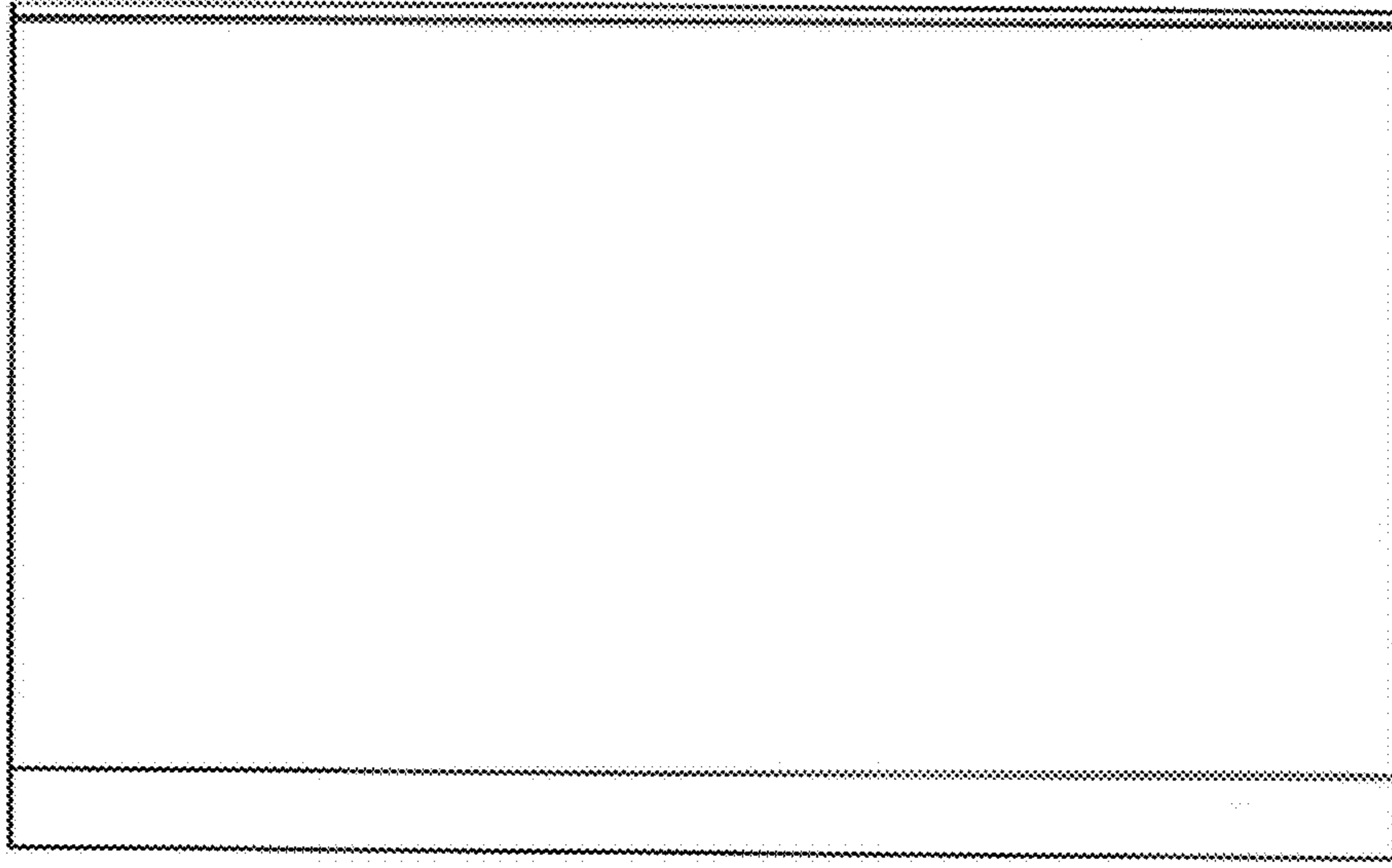


FIG. 1

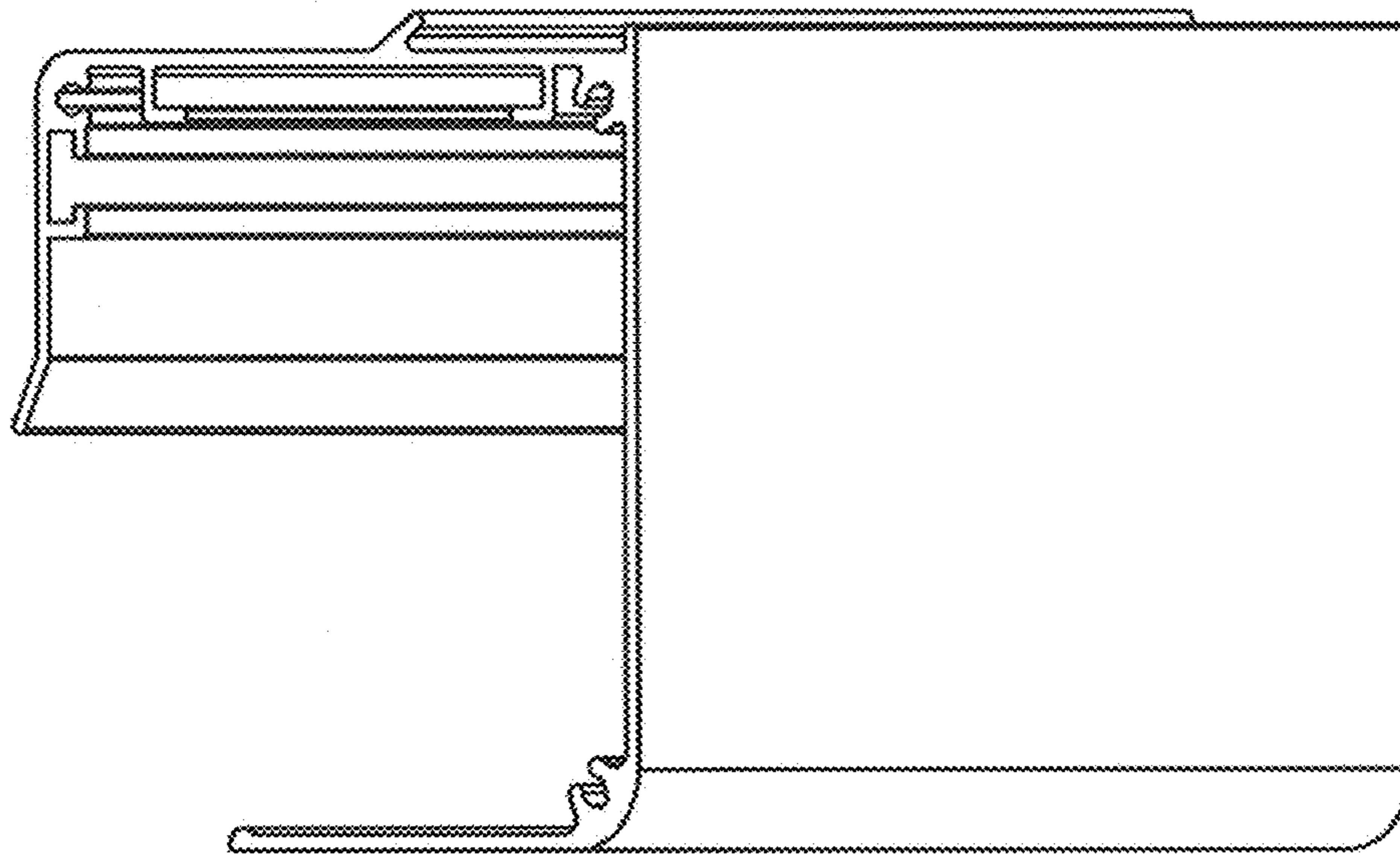


FIG. 2

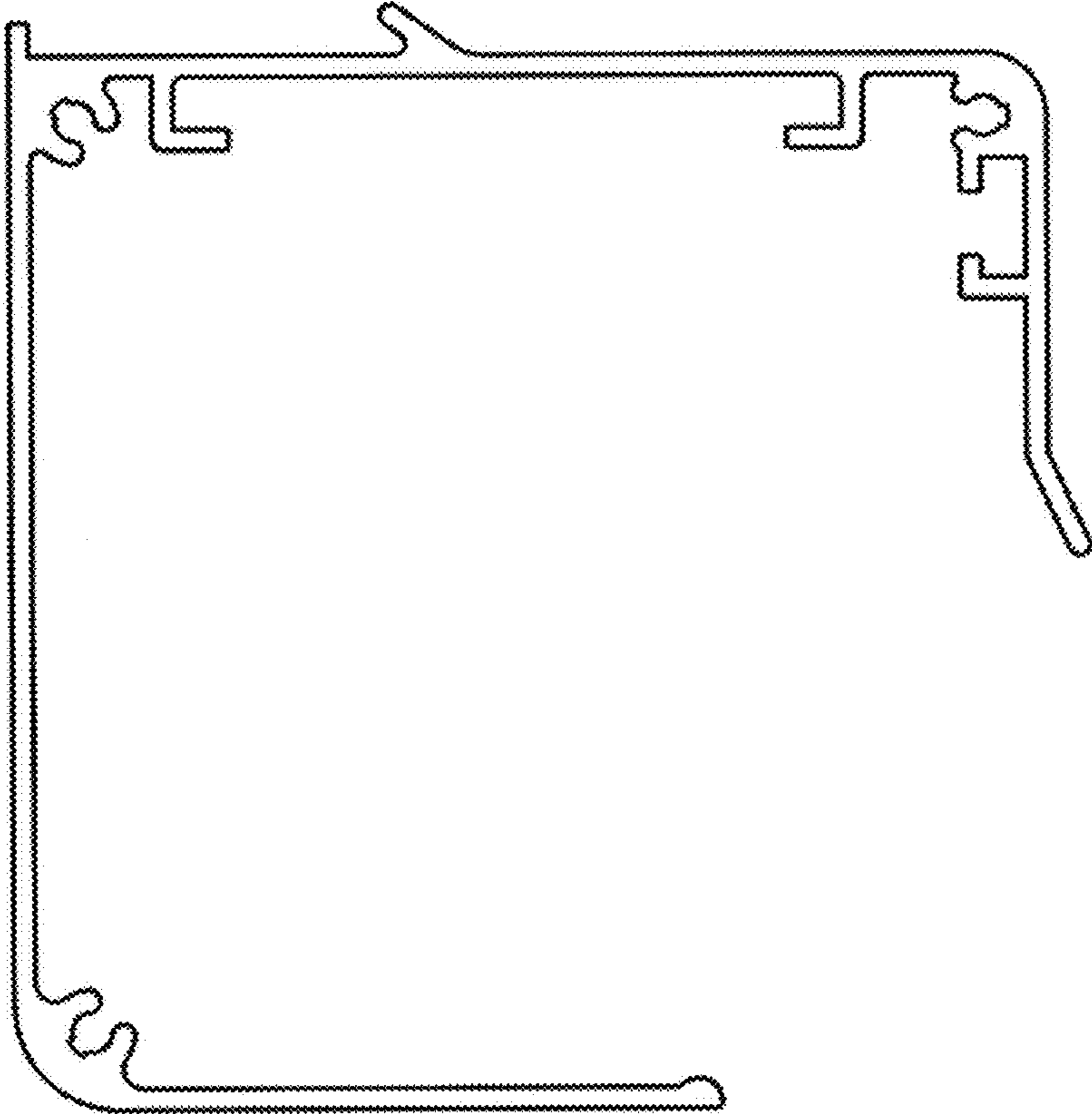


FIG. 3

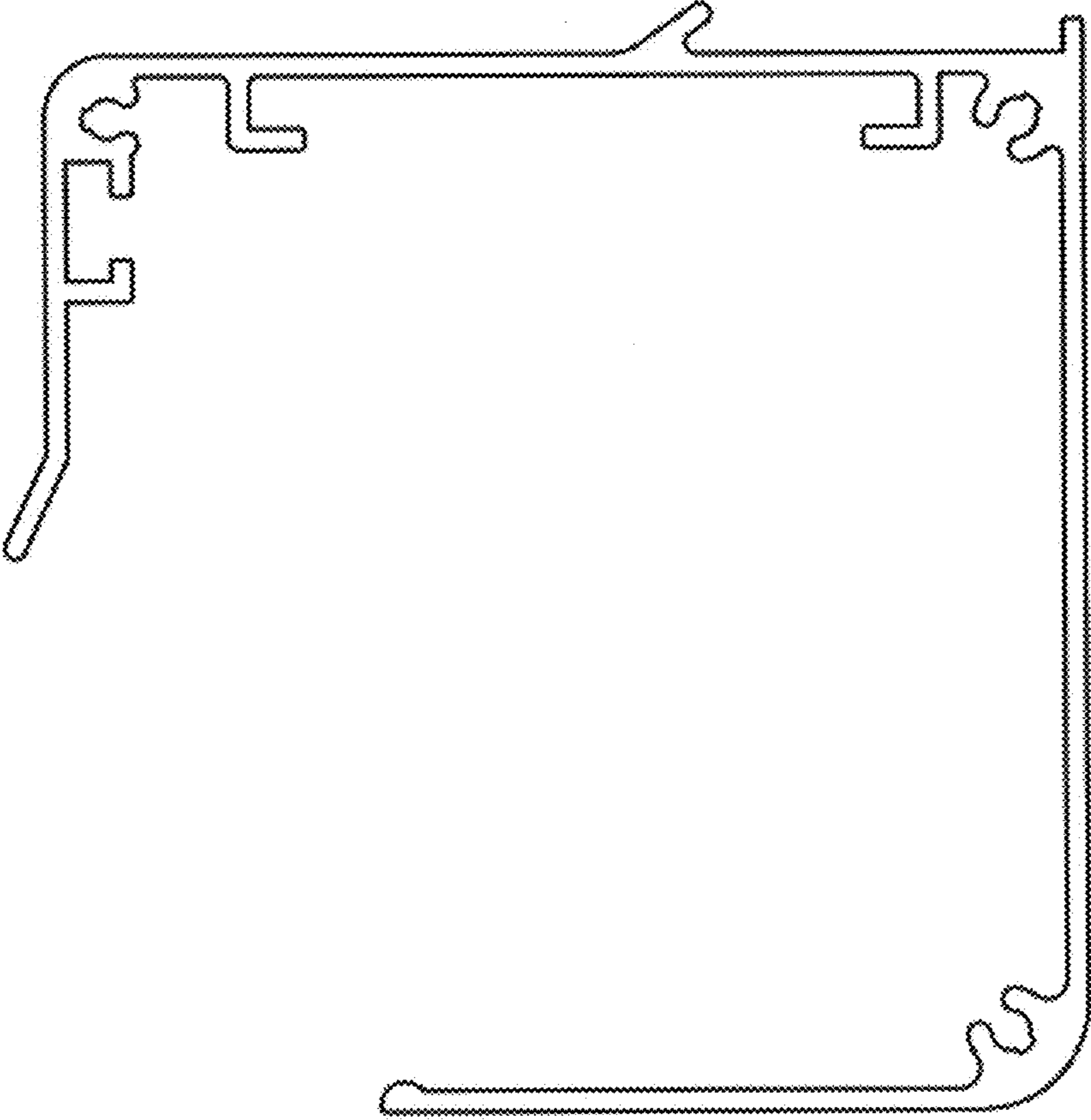


FIG. 4

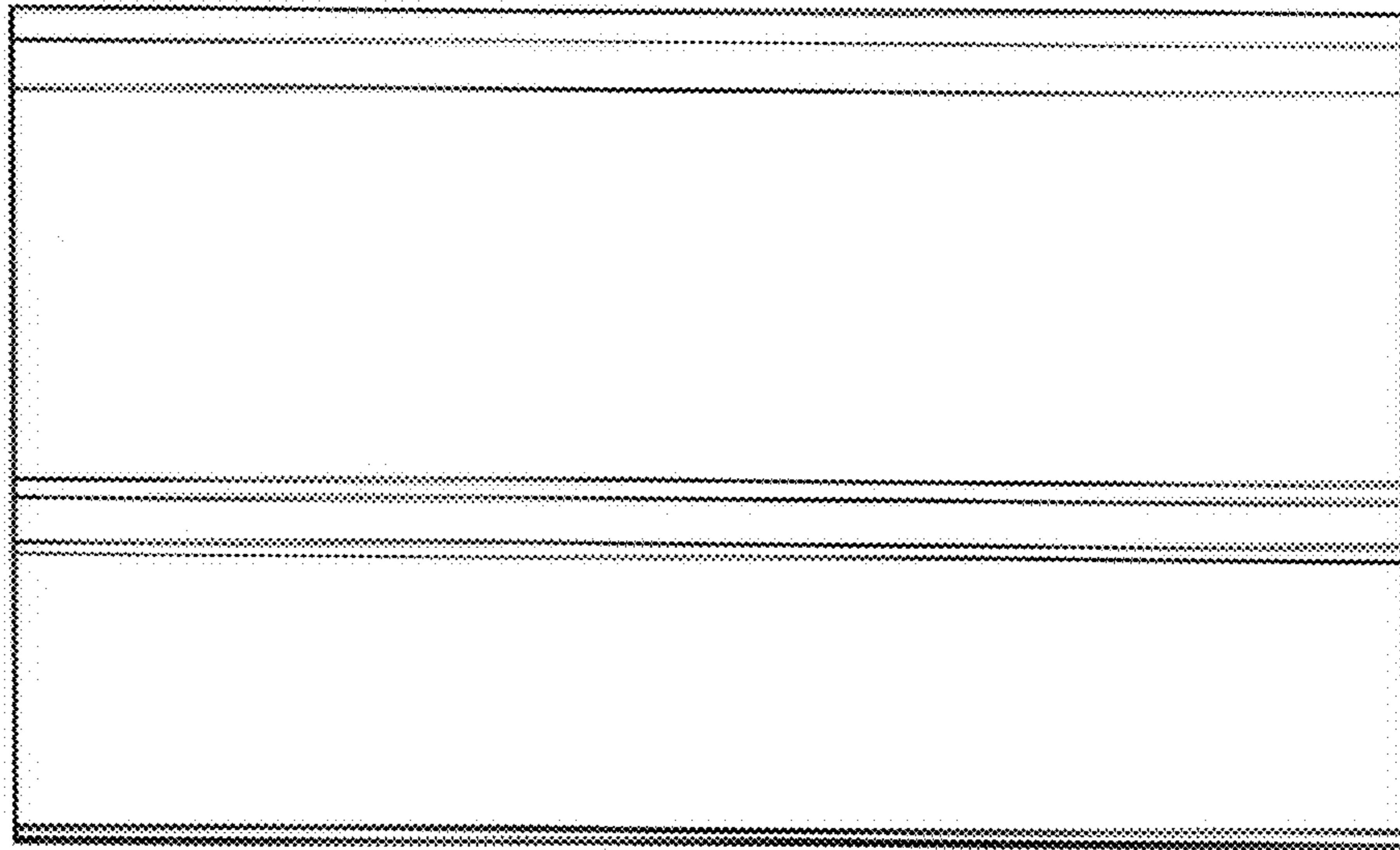


FIG. 5

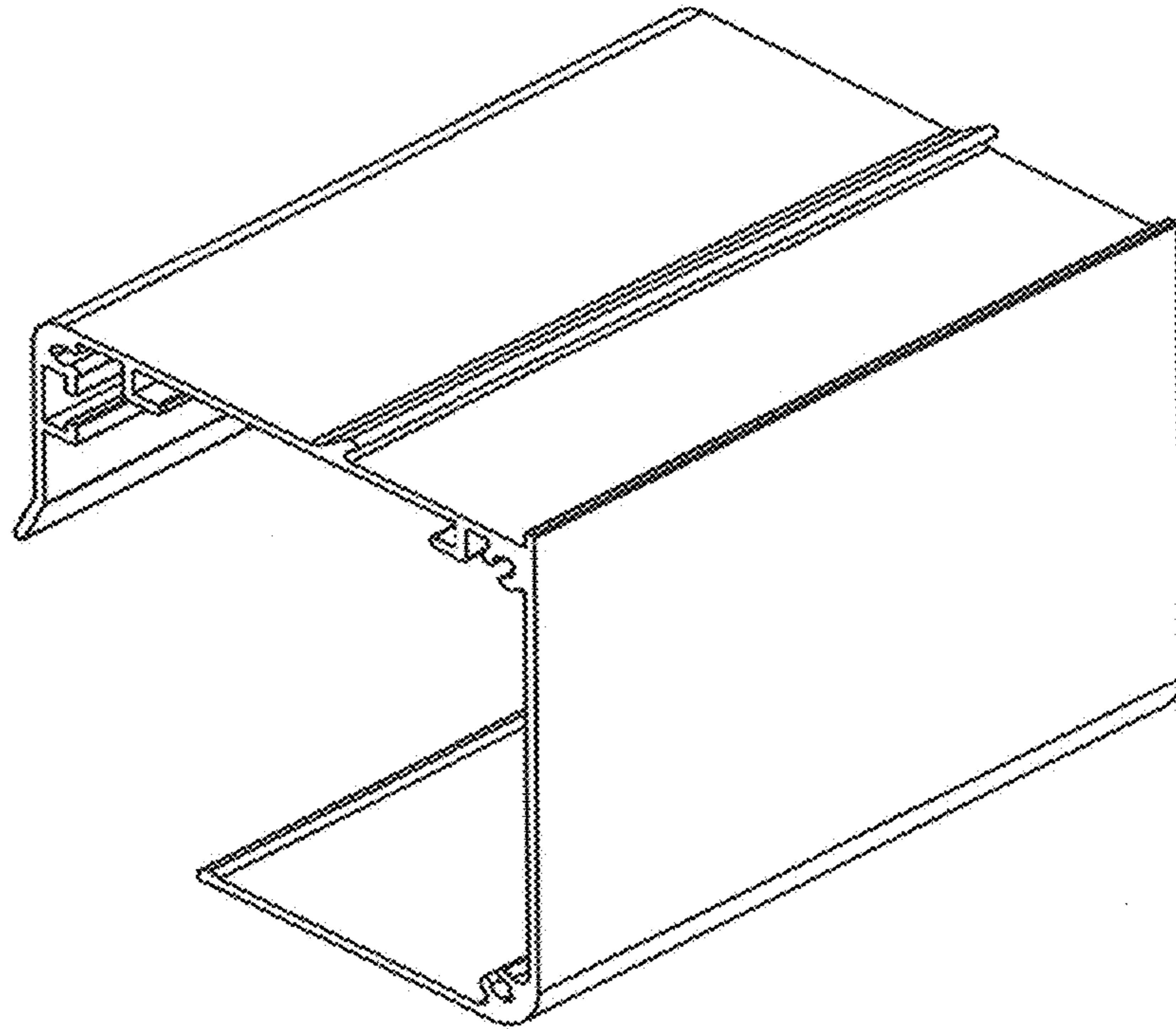


FIG. 6

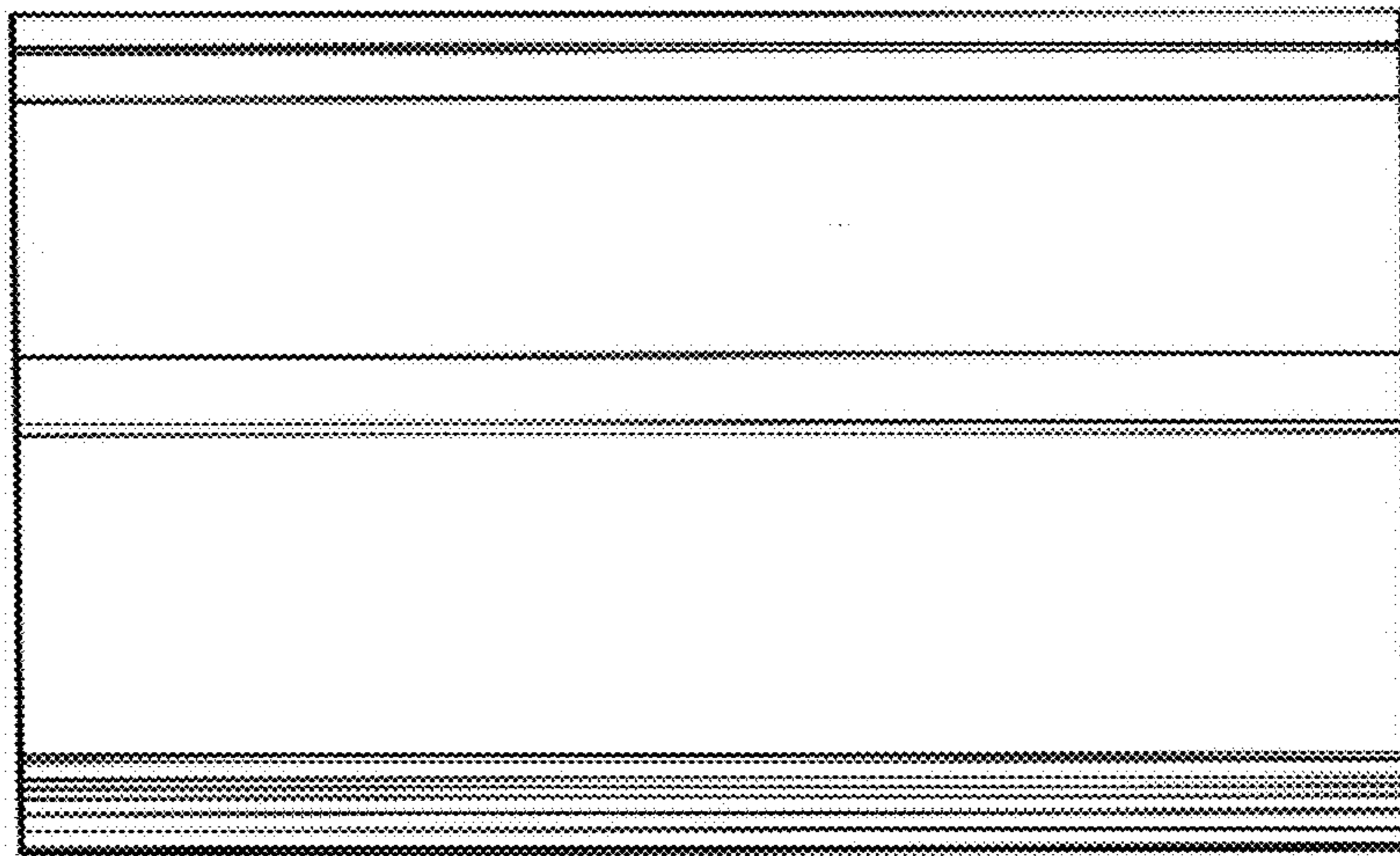


FIG. 7

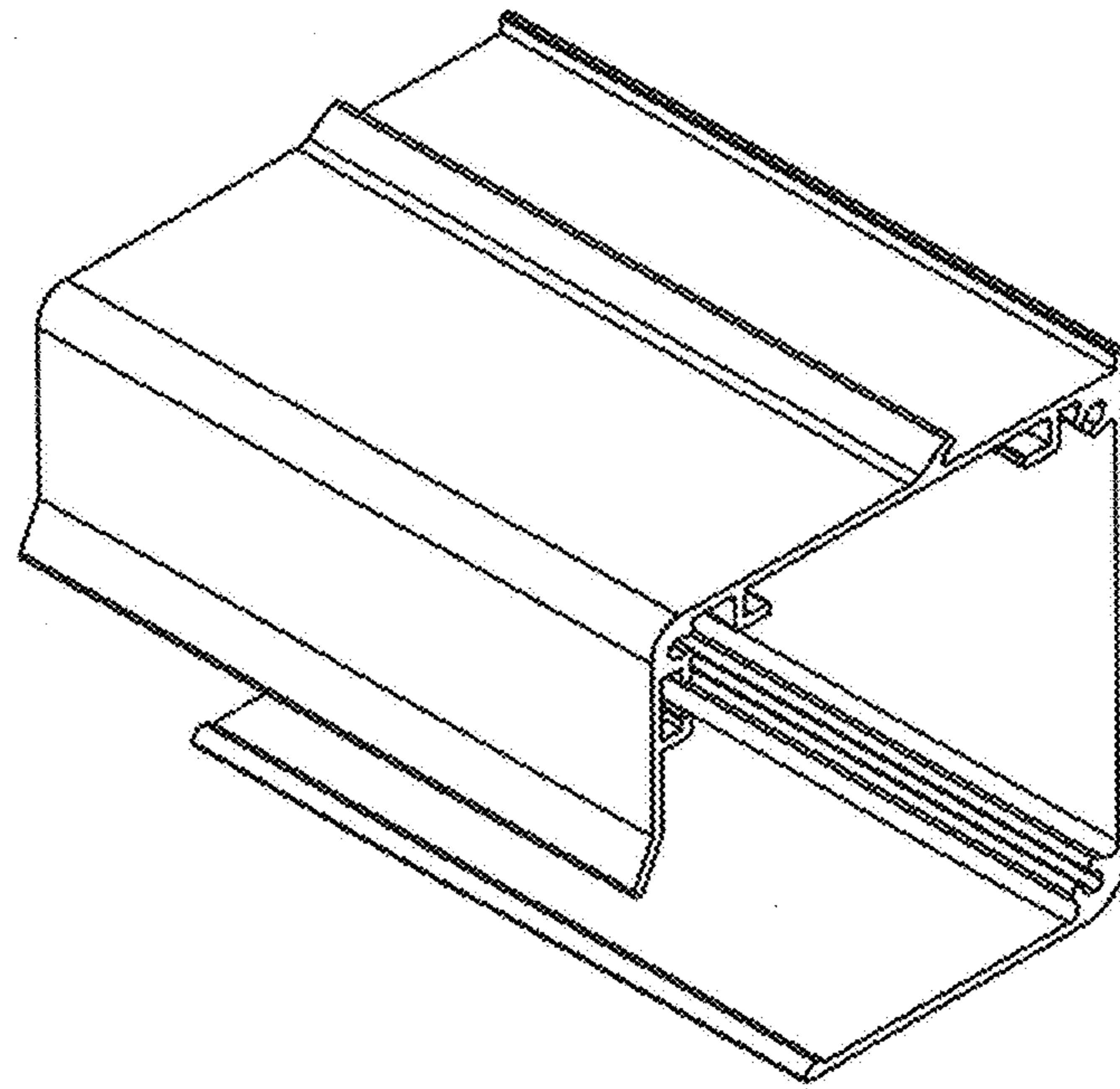


FIG. 8

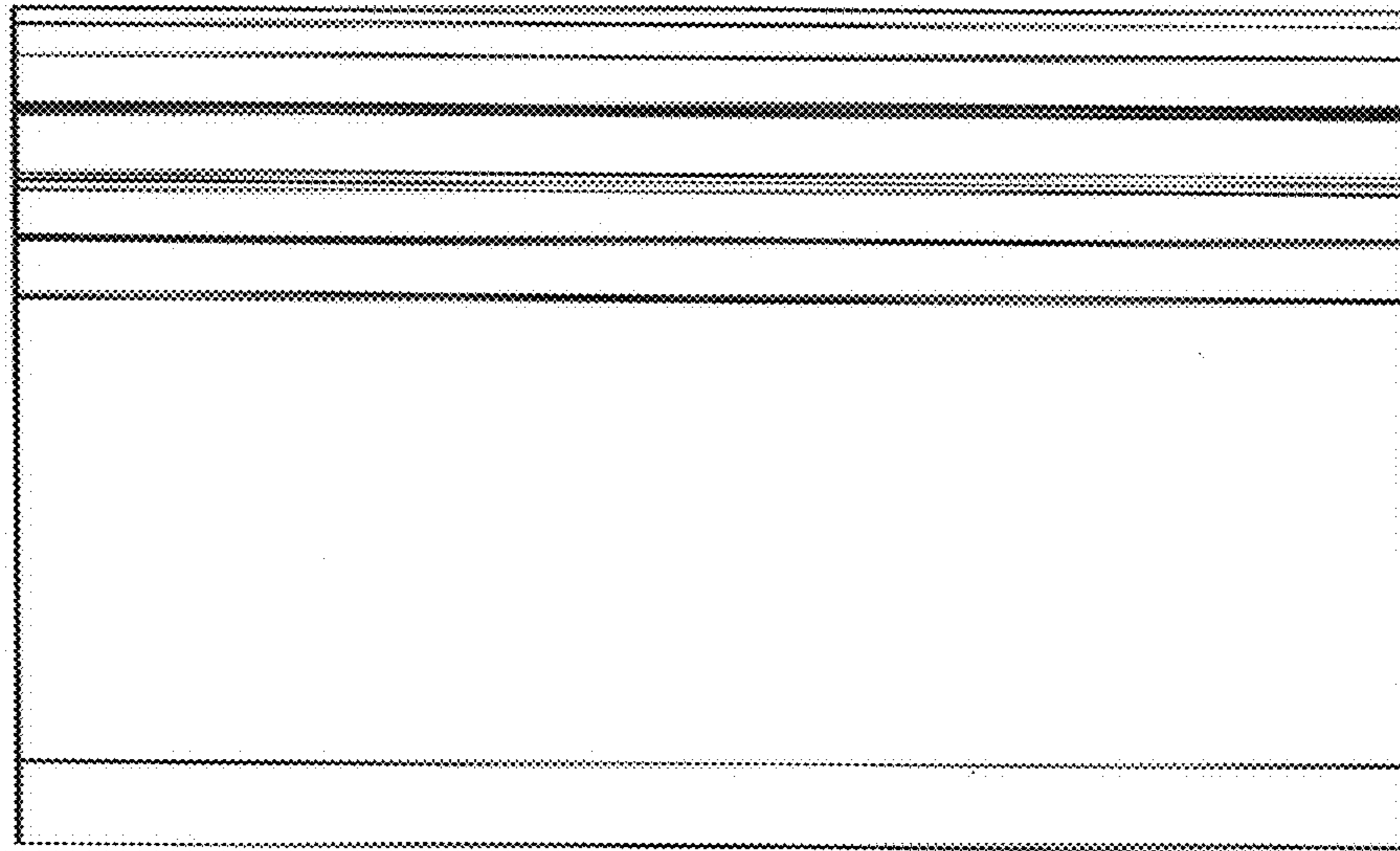


FIG. 9

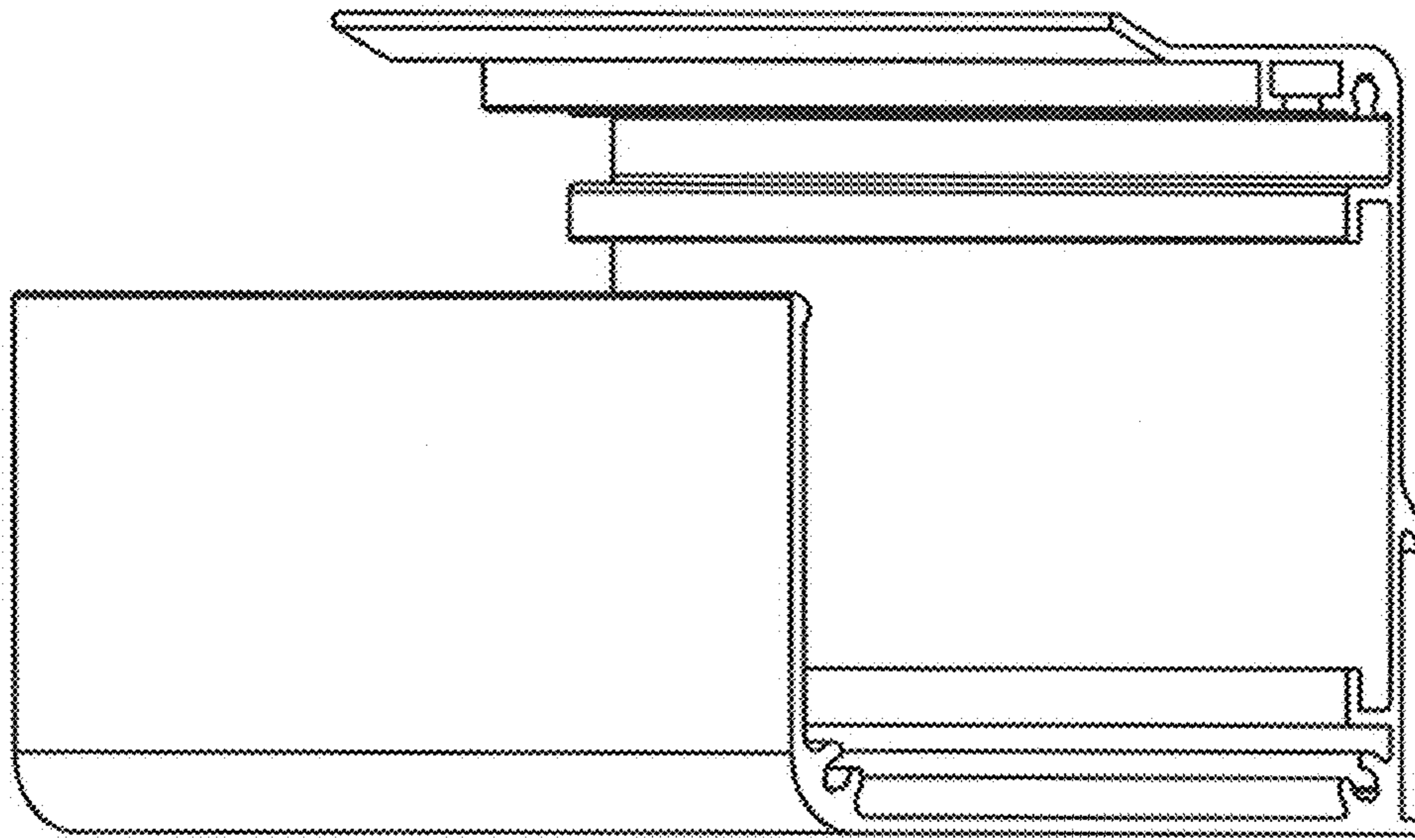


FIG. 10